

US00D543381S

(12) **United States Design Patent**
Ingram

(10) **Patent No.:** **US D543,381 S**

(45) **Date of Patent:** **** May 29, 2007**

(54) **VACUUM ISLAND FOR CAR WASH
INSTALLATIONS**

(75) **Inventor:** **James Larry Ingram**, Pine Bluff, AR
(US)

(73) **Assignee:** **Fragramatics Manufacturing Co.,
Inc.**, Pine Bluff, AR (US)

(**) **Term:** **14 Years**

(21) **Appl. No.:** **29/208,640**

(22) **Filed:** **Jul. 2, 2004**

(51) **LOC (8) Cl.** **06-99**

(52) **U.S. Cl.** **D6/398; D15/199**

(58) **Field of Classification Search** D6/398,
D6/396; D32/17, 18, 21, 1, 23; 15/301, 312.1,
15/312.2, 314, 315, 322, 320-321, 339, 353,
15/352, 327; D15/9.1, 9.2

See application file for complete search history.

(56) **References Cited**

U.S. PATENT DOCUMENTS

| | | | | | |
|-------------|---|---------|------------|-------|---------|
| D86,713 S | * | 4/1932 | Gott | | D15/9.1 |
| D130,817 S | * | 12/1941 | Kuenle | | D15/9.2 |
| D144,669 S | * | 5/1946 | Adams | | D15/9.2 |
| D156,269 S | * | 11/1949 | Peterson | | D15/9.2 |
| D168,642 S | * | 1/1953 | Troik | | D15/9.2 |
| D184,259 S | * | 1/1959 | Leopin | | D15/9.2 |
| D194,433 S | * | 1/1963 | Chaffee | | D15/9.2 |
| 3,199,727 A | * | 8/1965 | Romanowski | | 222/20 |

| | | | | | |
|------------|---|---------|---------------|-------|---------|
| D207,602 S | * | 5/1967 | Freed | | D15/9.2 |
| D246,810 S | * | 12/1977 | Genova | | D21/795 |
| D253,932 S | * | 1/1980 | Mockler | | D34/5 |
| D272,630 S | * | 2/1984 | Koppens | | D15/9.2 |
| D281,427 S | * | 11/1985 | Baffo et al. | | D15/9.2 |
| D298,538 S | * | 11/1988 | Baffo et al. | | D15/9.2 |
| D325,660 S | * | 4/1992 | Rapaz | | D34/10 |
| D349,350 S | * | 8/1994 | Goldberg | | D25/56 |
| D351,698 S | * | 10/1994 | Brussing | | D34/1 |
| D394,269 S | * | 5/1998 | Alvern et al. | | D15/9.2 |
| D463,084 S | * | 9/2002 | Forest | | D34/1 |

* cited by examiner

Primary Examiner—Janice Seeger

Assistant Examiner—Zenia I. Bennett

(74) *Attorney, Agent, or Firm*—Stephen D. Carver

(57) **CLAIM**

The ornamental design for a vacuum island for car wash installations, as shown and described.

DESCRIPTION

FIG. 1 is a frontal isometric view thereof;

FIG. 2 is a rear isometric view thereof;

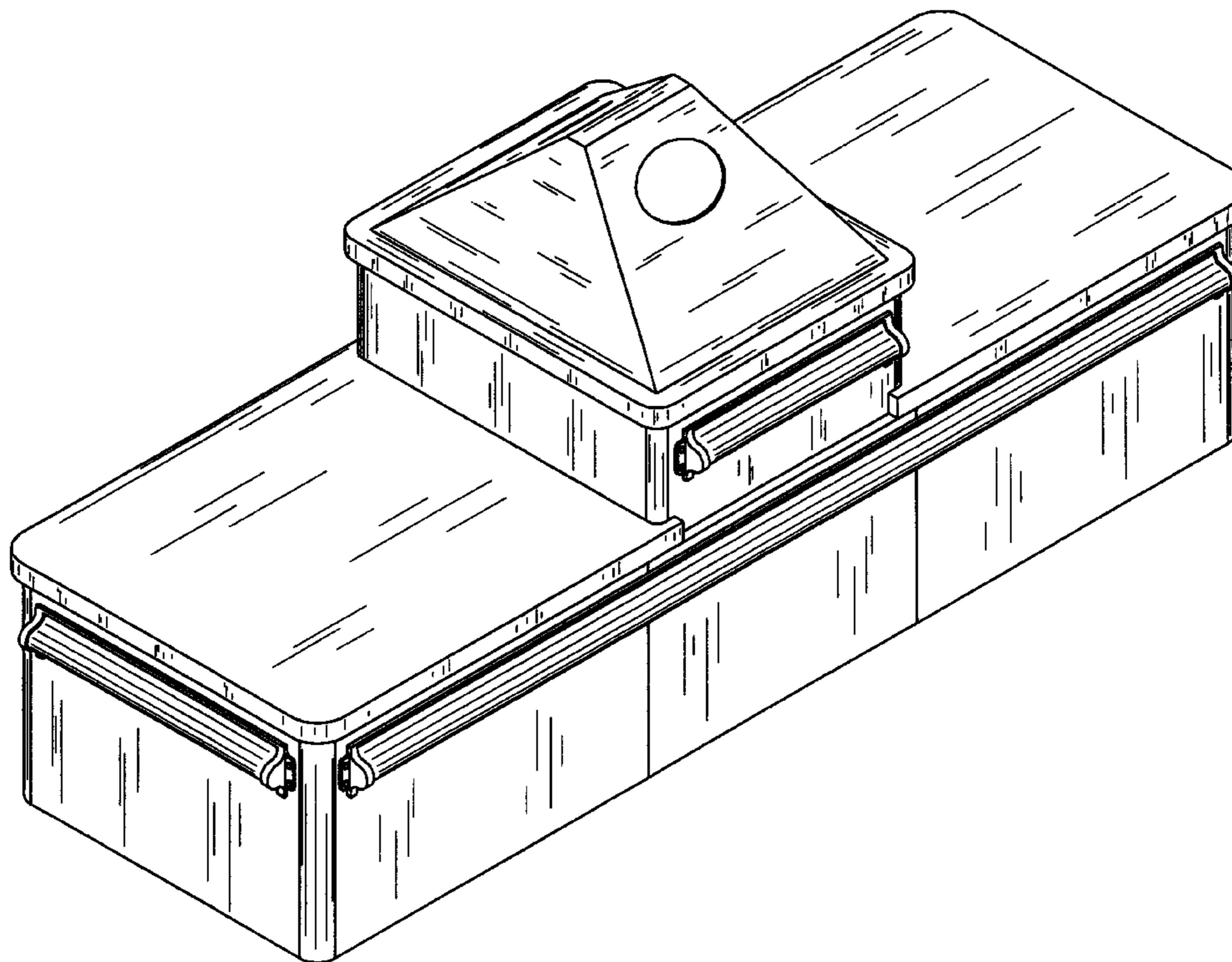
FIG. 3 is a top plan view thereof;

FIG. 4 is a front elevational view thereof, the rear view comprising a mirror image;

FIG. 5 is a left end elevational view thereof, the right end comprising a mirror image; and,

FIG. 6 is a bottom plan view thereof.

1 Claim, 3 Drawing Sheets



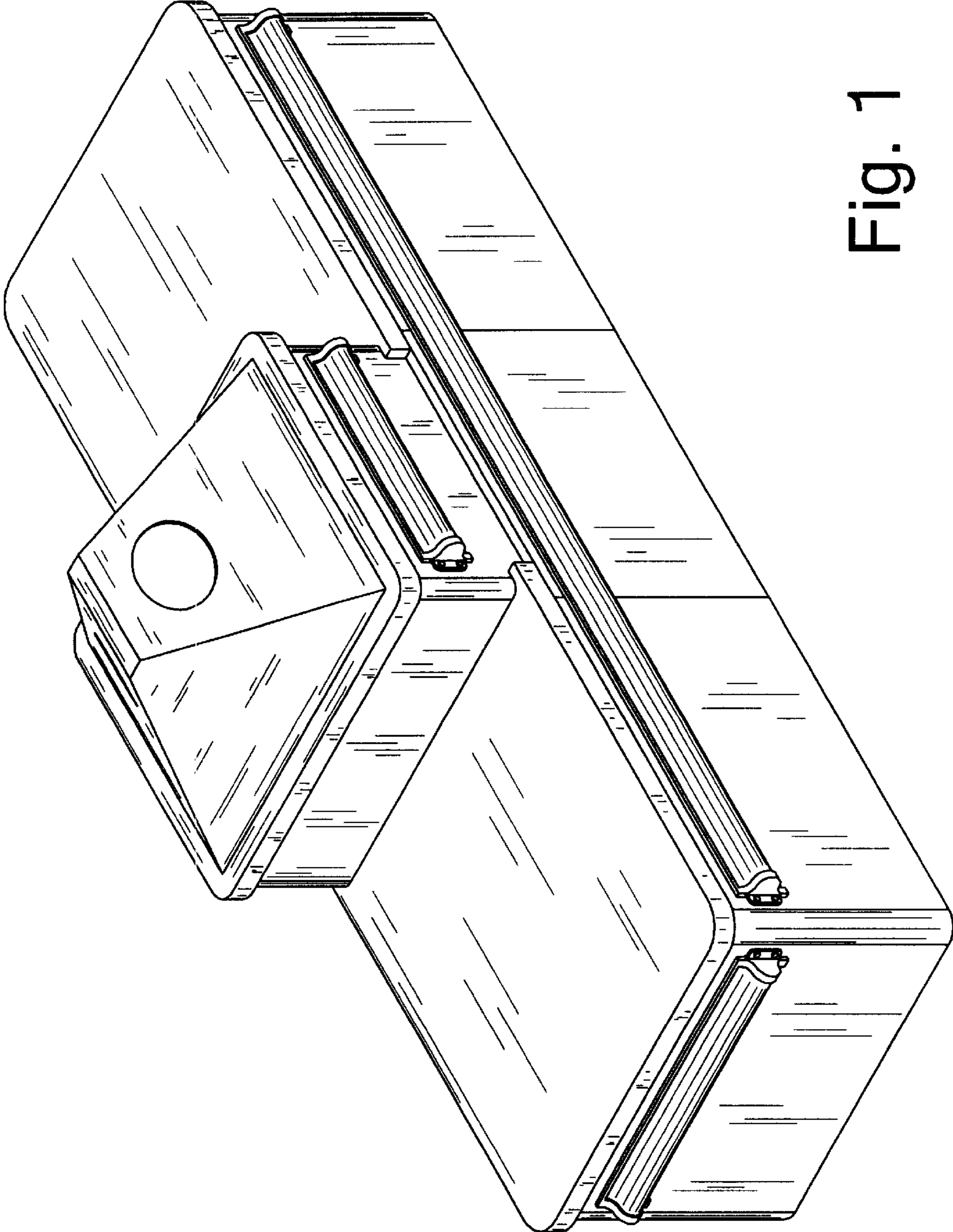


Fig. 1

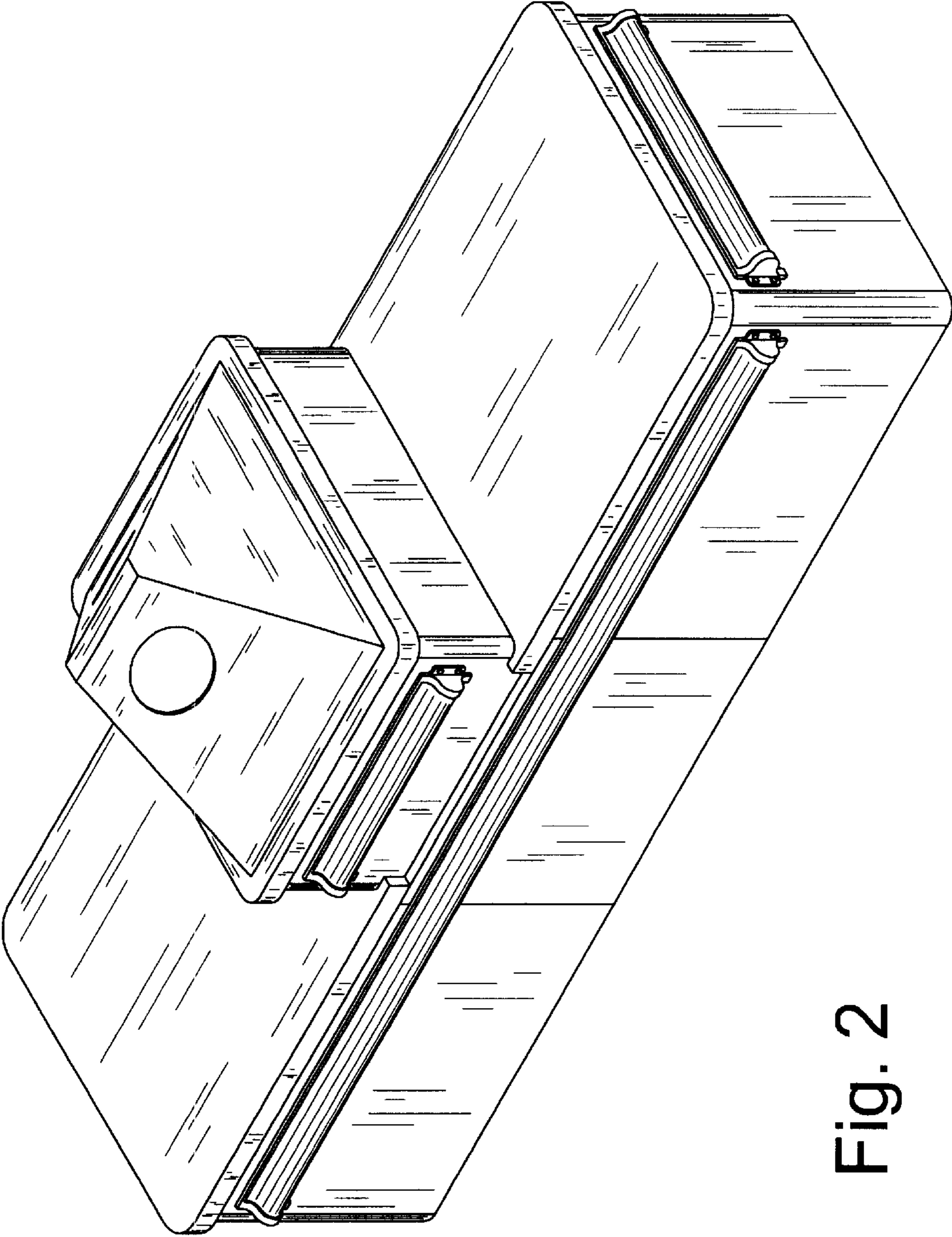


Fig. 2

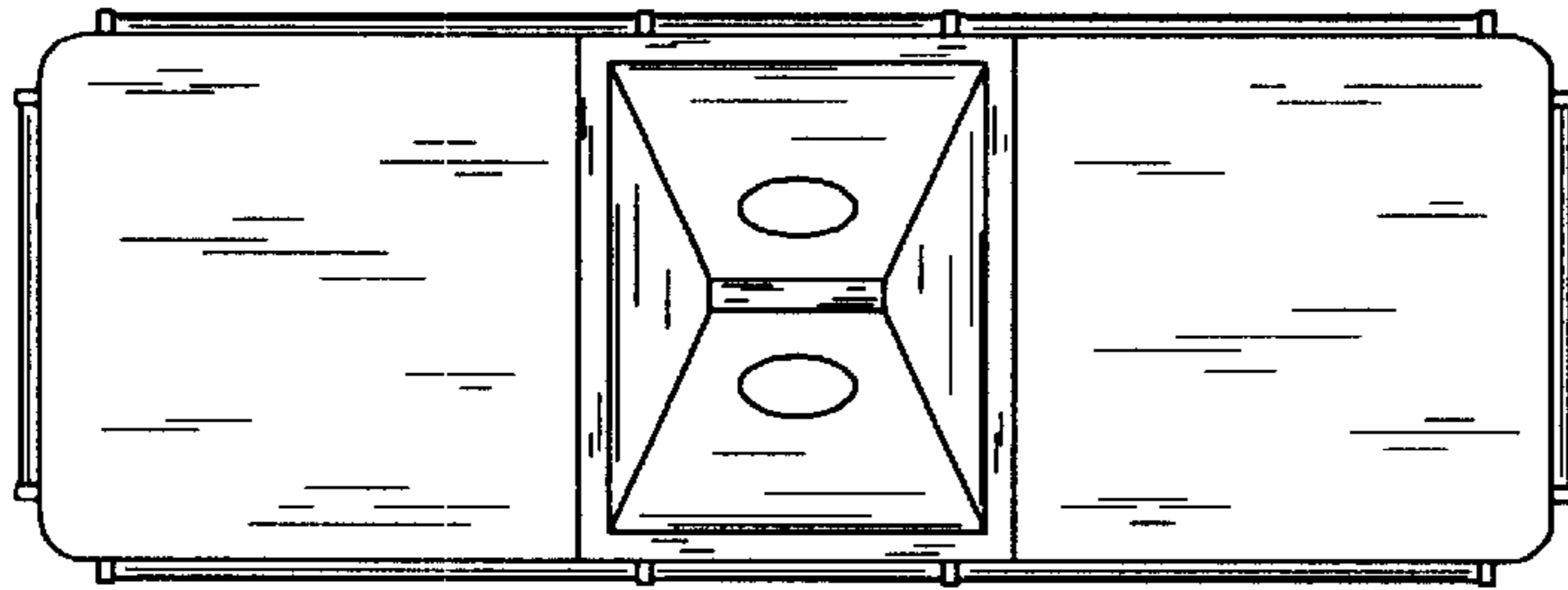


Fig. 3

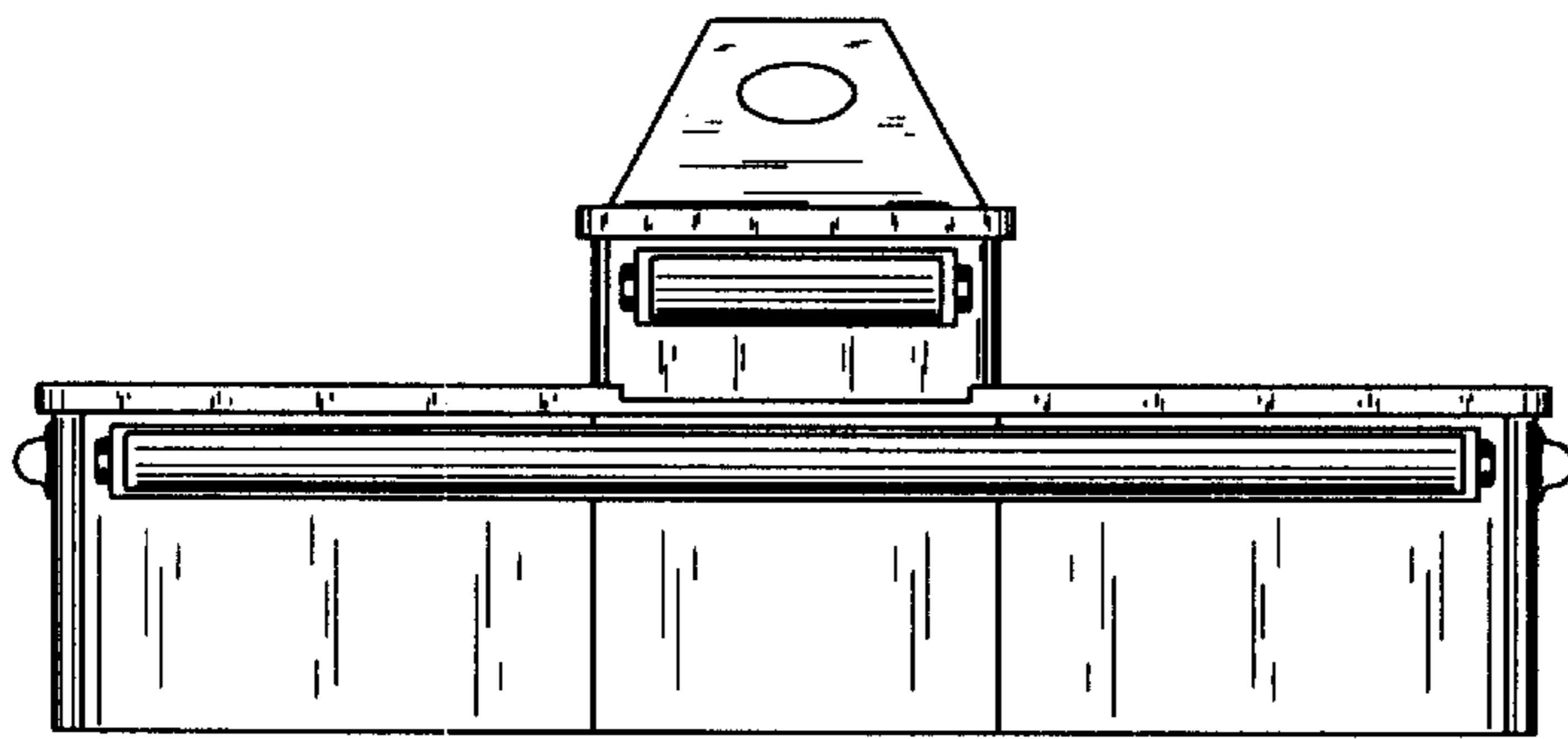


Fig. 4

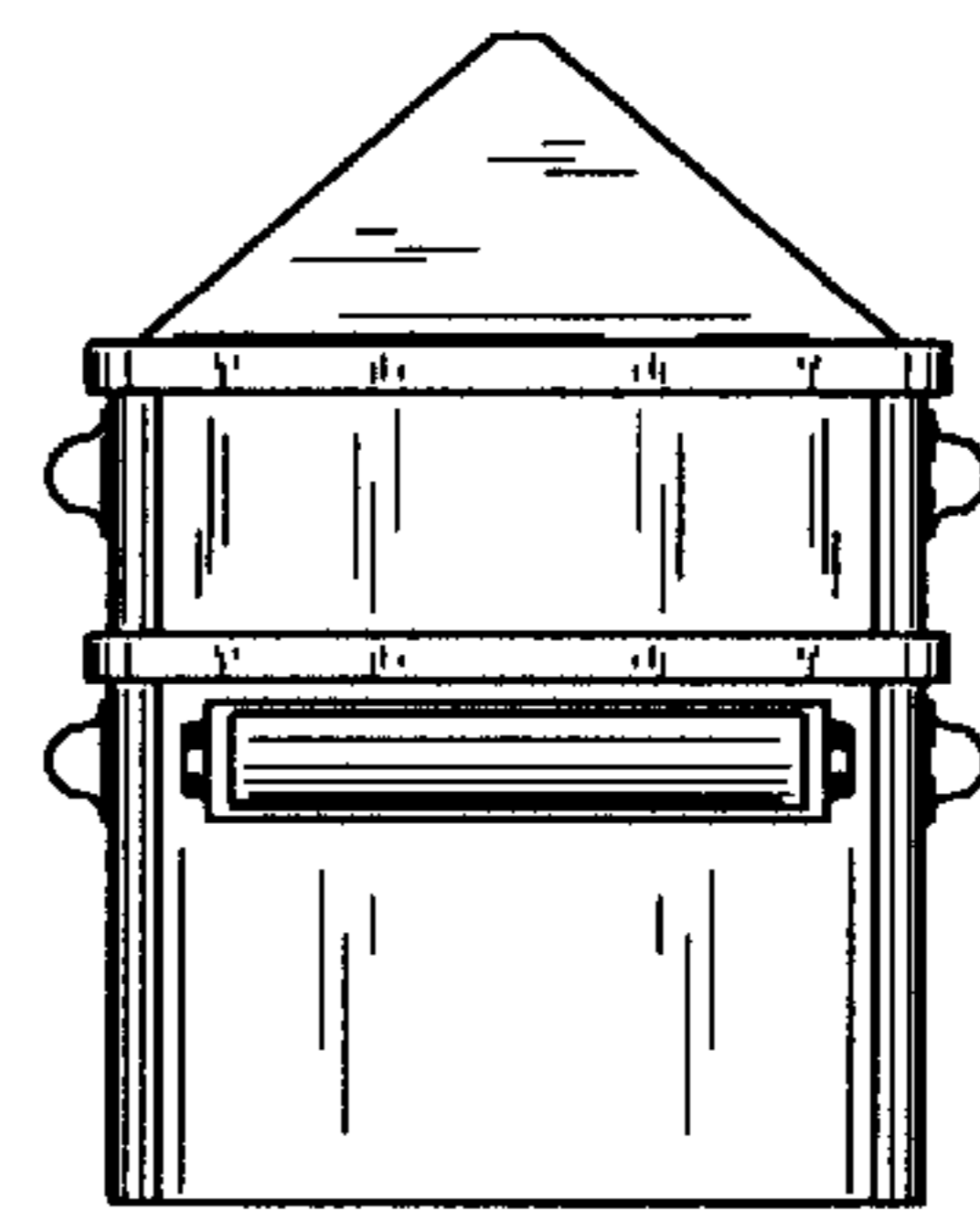


Fig. 5

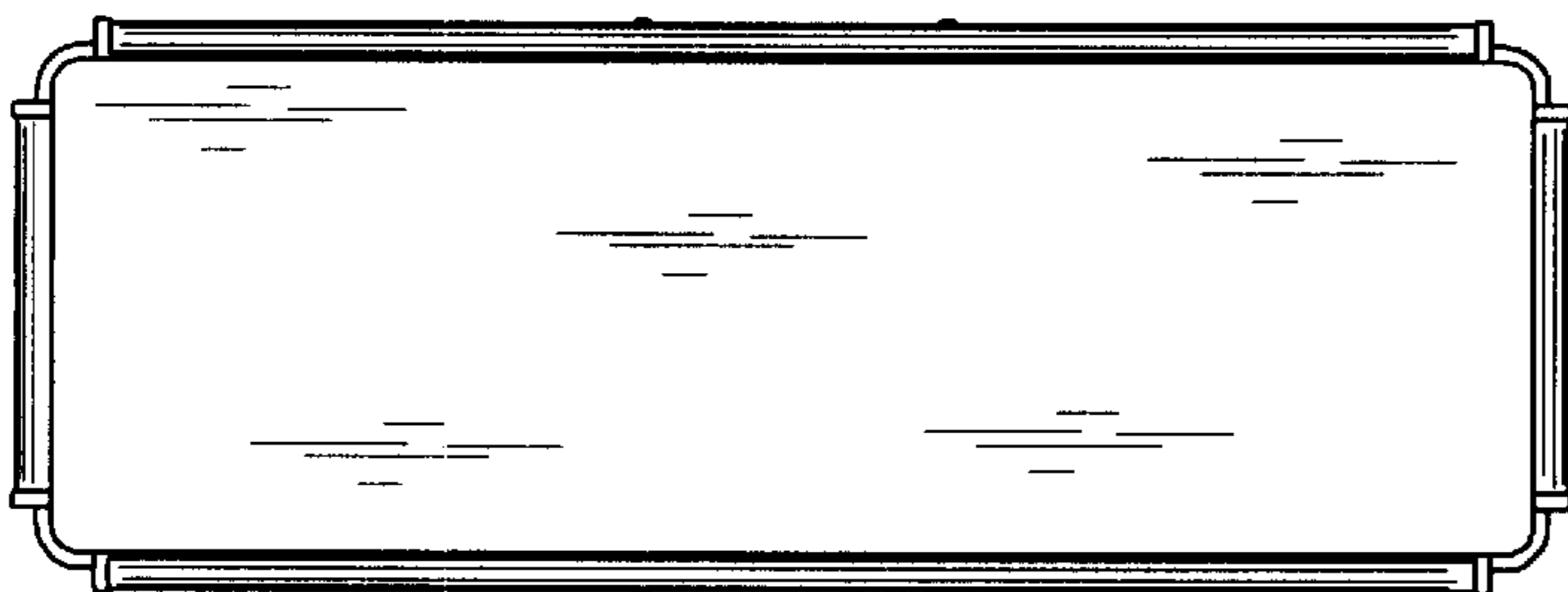


Fig. 6