



US00D543374S

(12) **United States Design Patent**  
**Huerlimann**

(10) **Patent No.:** **US D543,374 S**

(45) **Date of Patent:** **\*\* May 29, 2007**

(54) **CHAIR**

(75) Inventor: **Mart Huerlimann**, Zug (CH)

(73) Assignee: **Stoll Giroflex AG**, Koblenz (CH)

(\*\*) Term: **14 Years**

(21) Appl. No.: **29/241,222**

(22) Filed: **Oct. 26, 2005**

(30) **Foreign Application Priority Data**

May 24, 2005 (WO) ..... DM/066 661

(51) **LOC (8) Cl.** ..... **06-01**

(52) **U.S. Cl.** ..... **D6/380; D6/379**

(58) **Field of Classification Search** ..... D6/334-336,  
D6/344, 367, 368, 370, 372, 374, 379, 380,  
D6/500-502; 297/411.27, 411.28, 445.1,  
297/446.1

See application file for complete search history.

(56) **References Cited**

**U.S. PATENT DOCUMENTS**

D355,080 S \* 2/1995 Lucci et al. .... D6/372  
D376,485 S \* 12/1996 Cretcher ..... D6/379  
D397,880 S \* 9/1998 Saul ..... D6/380  
D408,165 S \* 4/1999 Kemnitzer ..... D6/379  
D420,226 S \* 2/2000 Sabo ..... D6/380

D420,826 S \* 2/2000 Lin ..... D6/370  
D461,327 S \* 8/2002 Pearce et al. .... D6/368  
D467,445 S \* 12/2002 Saffell et al. .... D6/374  
D469,265 S \* 1/2003 Holbrook et al. .... D6/366  
D469,284 S \* 1/2003 Holbrook et al. .... D6/500  
D469,616 S \* 2/2003 Caldwell ..... D6/344  
D498,600 S \* 11/2004 Koch et al. .... D6/372  
D506,085 S \* 6/2005 Ohashi ..... D6/367

\* cited by examiner

*Primary Examiner*—Mimosa De

(74) *Attorney, Agent, or Firm*—Greenblum & Bernstein,  
P.L.C.

(57) **CLAIM**

I claim the ornamental design for a chair, as shown and described.

**DESCRIPTION**

FIG. 1 is a front and left side perspective view of a chair, showing my new design;

FIG. 2 is a front view thereof;

FIG. 3 is a rear view thereof;

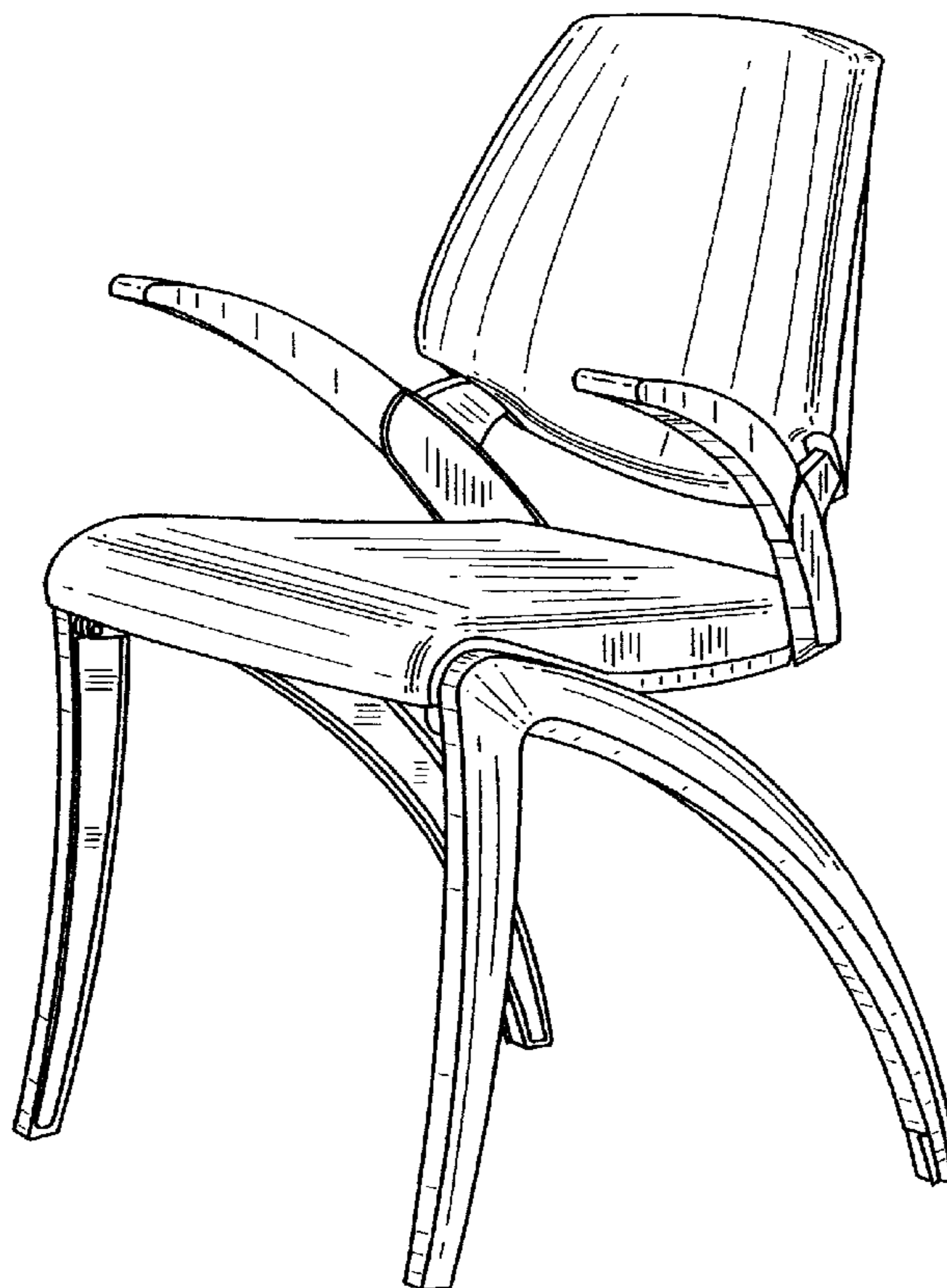
FIG. 4 is a right side view thereof;

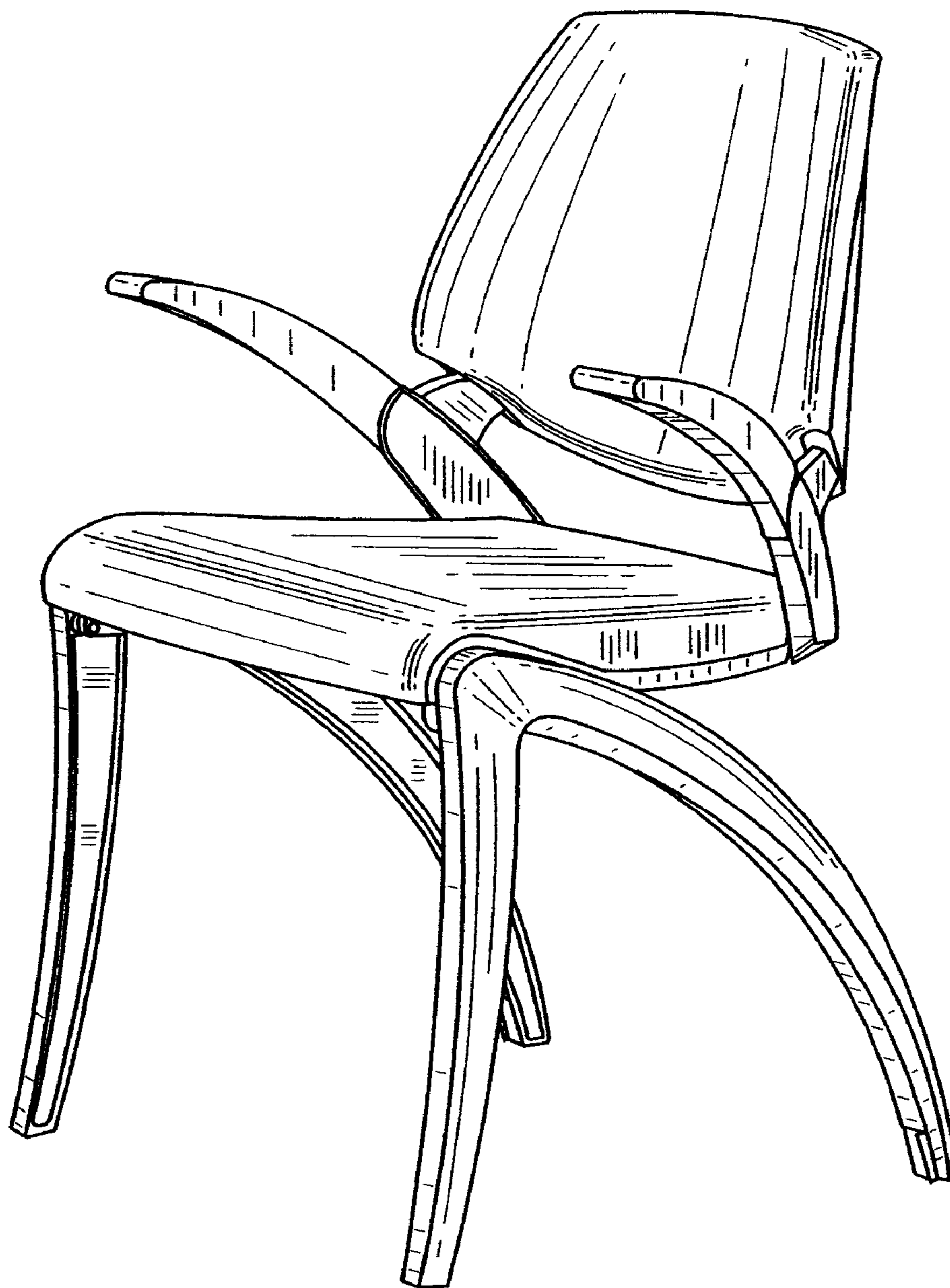
FIG. 5 is a left side view thereof;

FIG. 6 is a top view thereof; and,

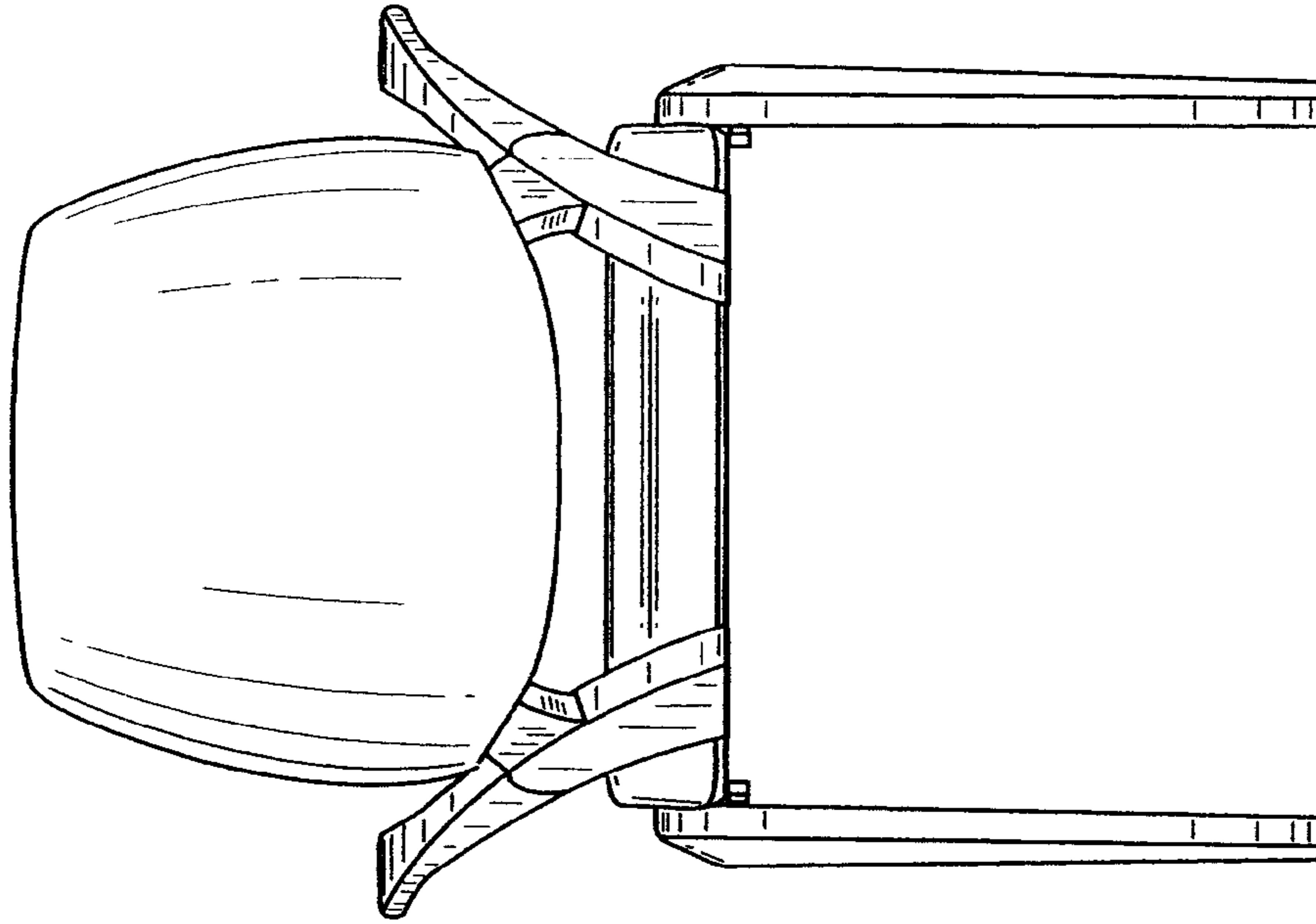
FIG. 7 is a bottom view thereof.

**1 Claim, 4 Drawing Sheets**

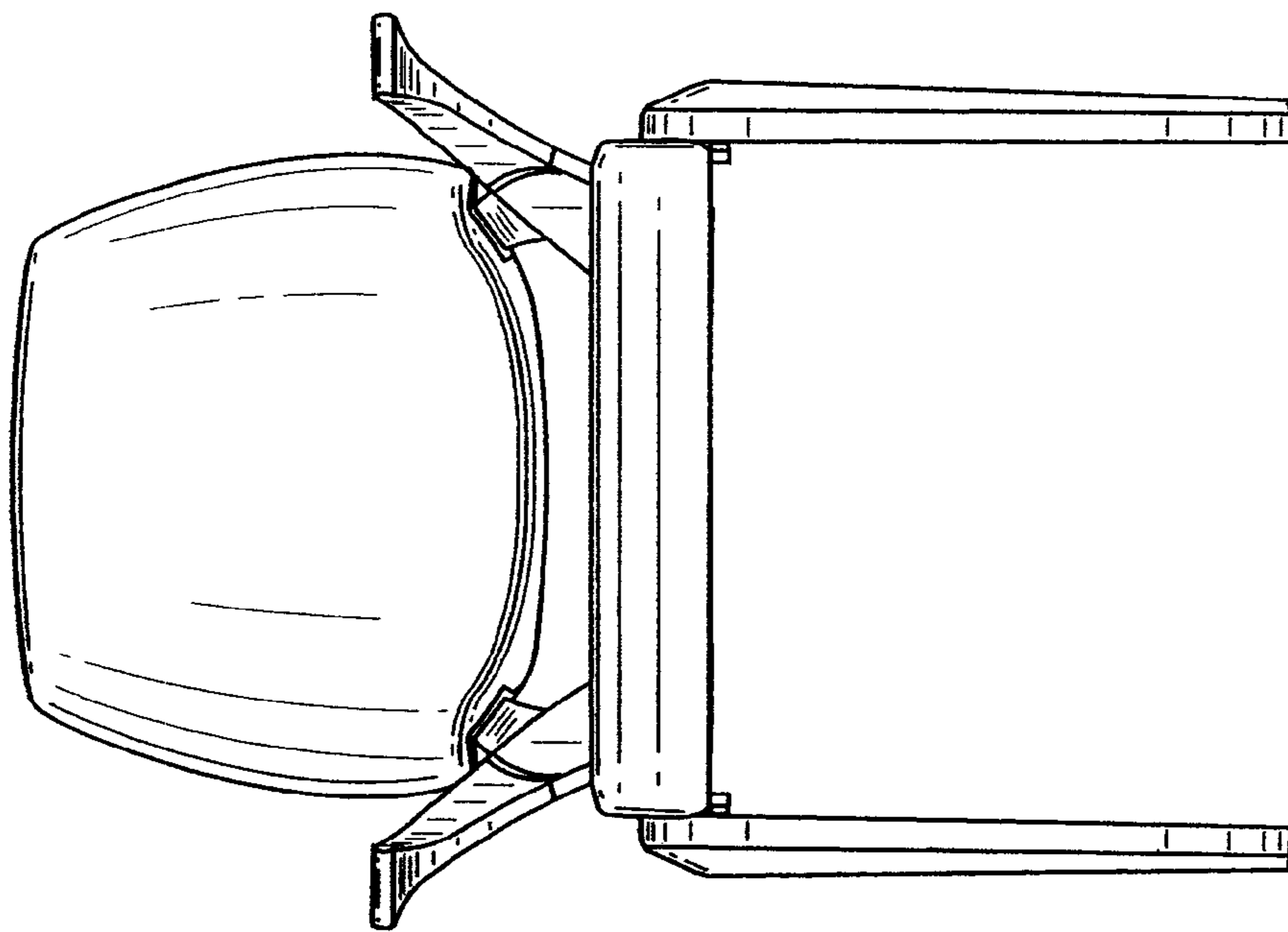




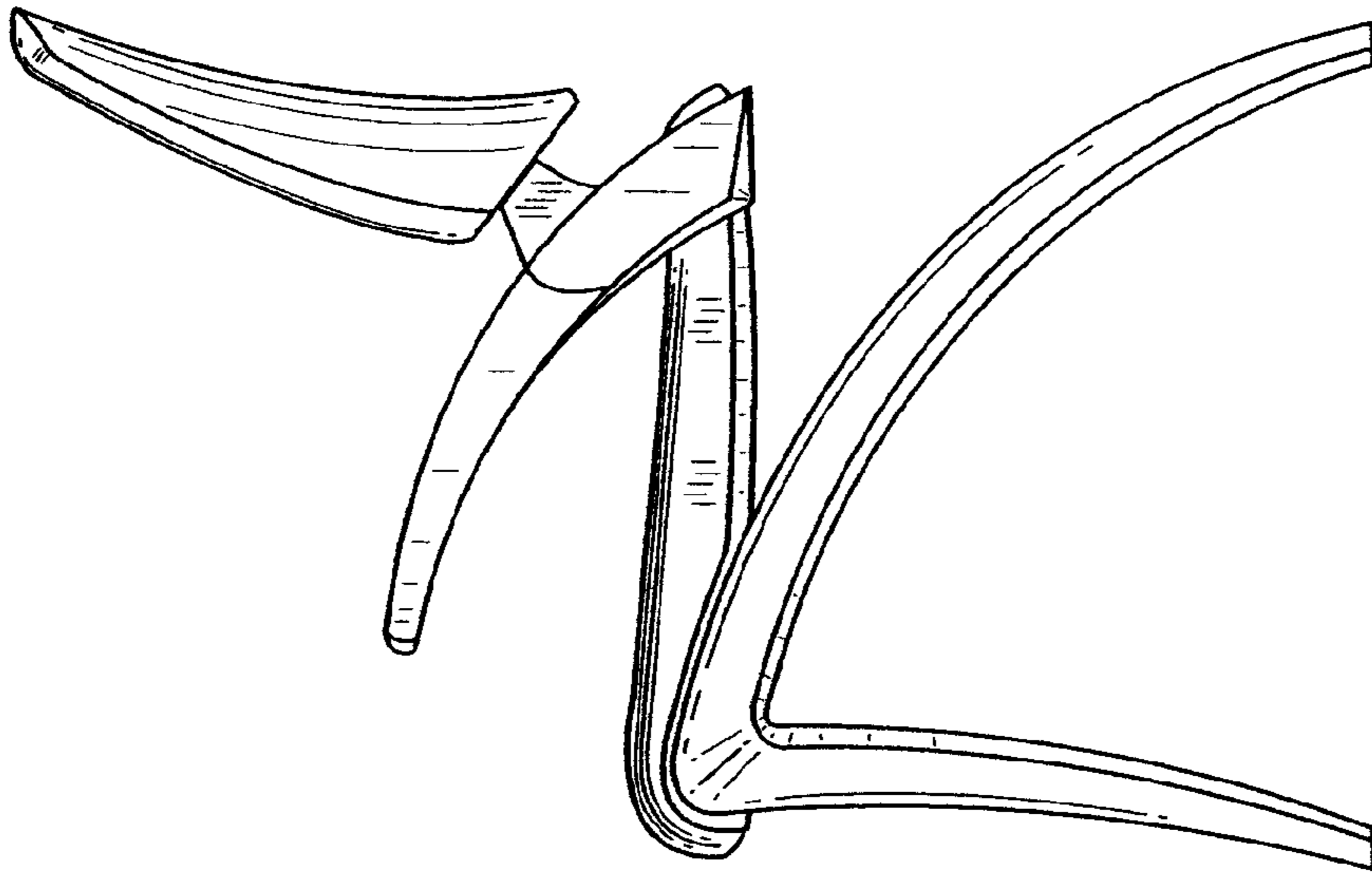
**FIG. 1**



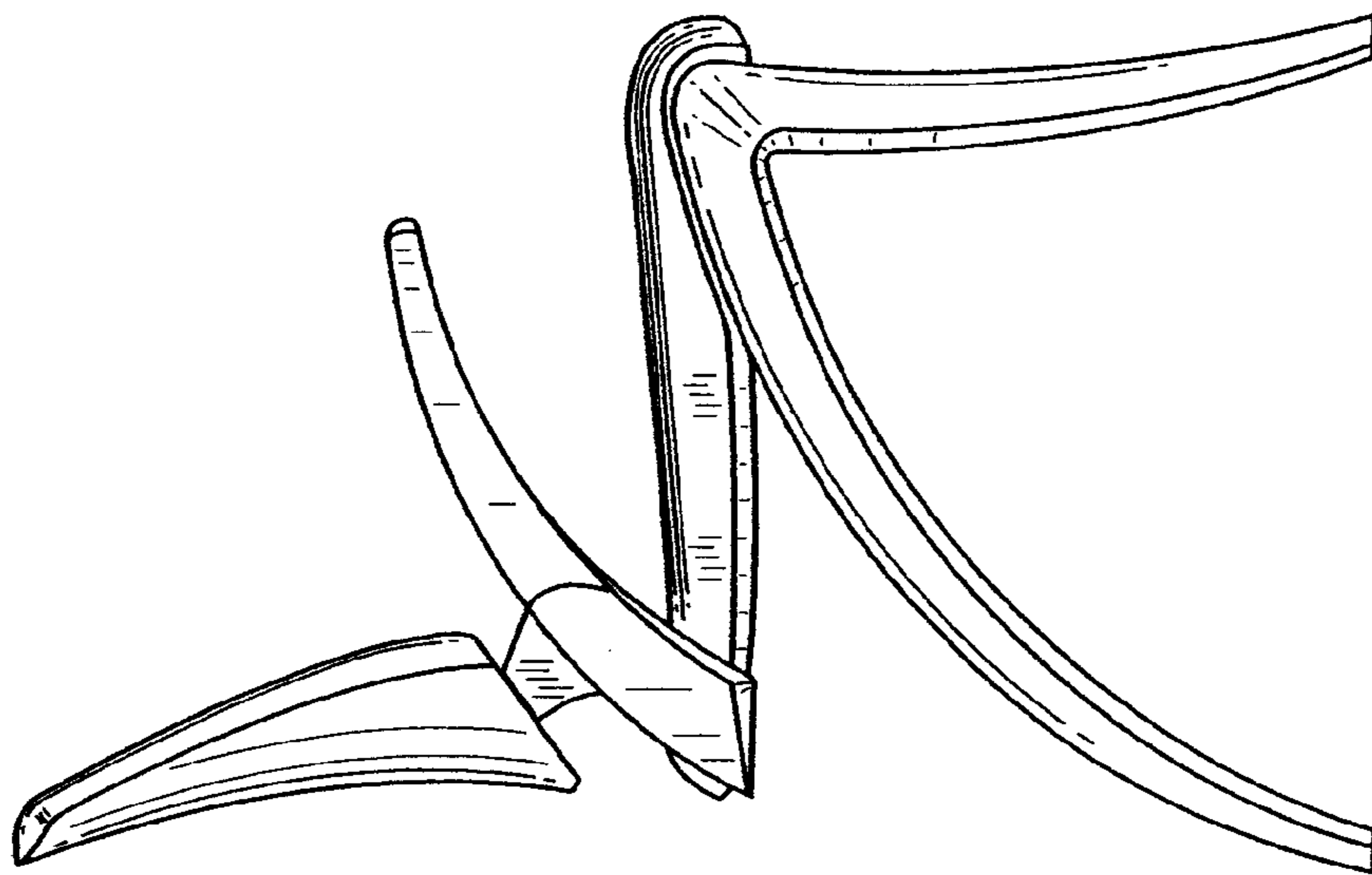
**FIG. 3**



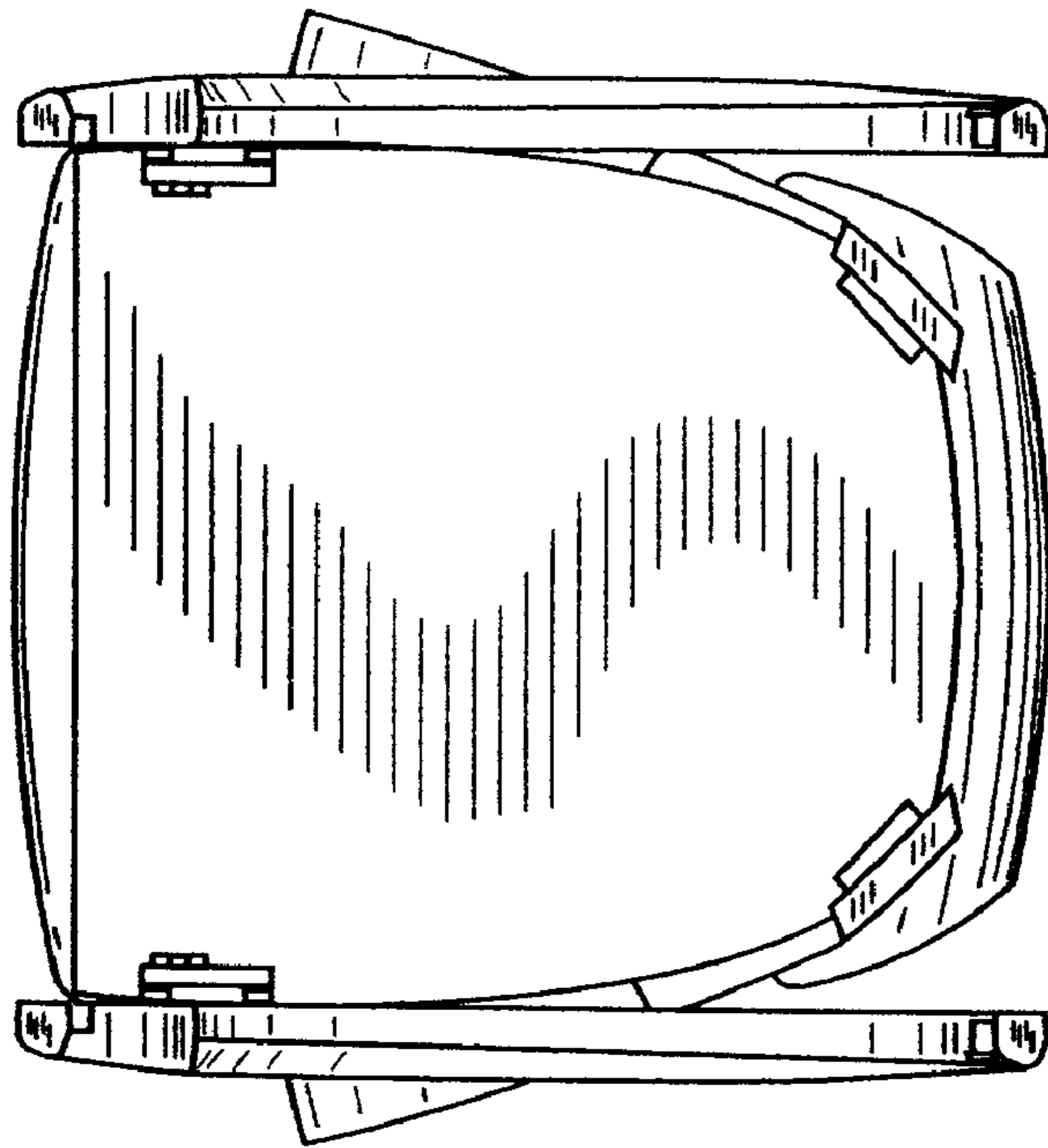
**FIG. 2**



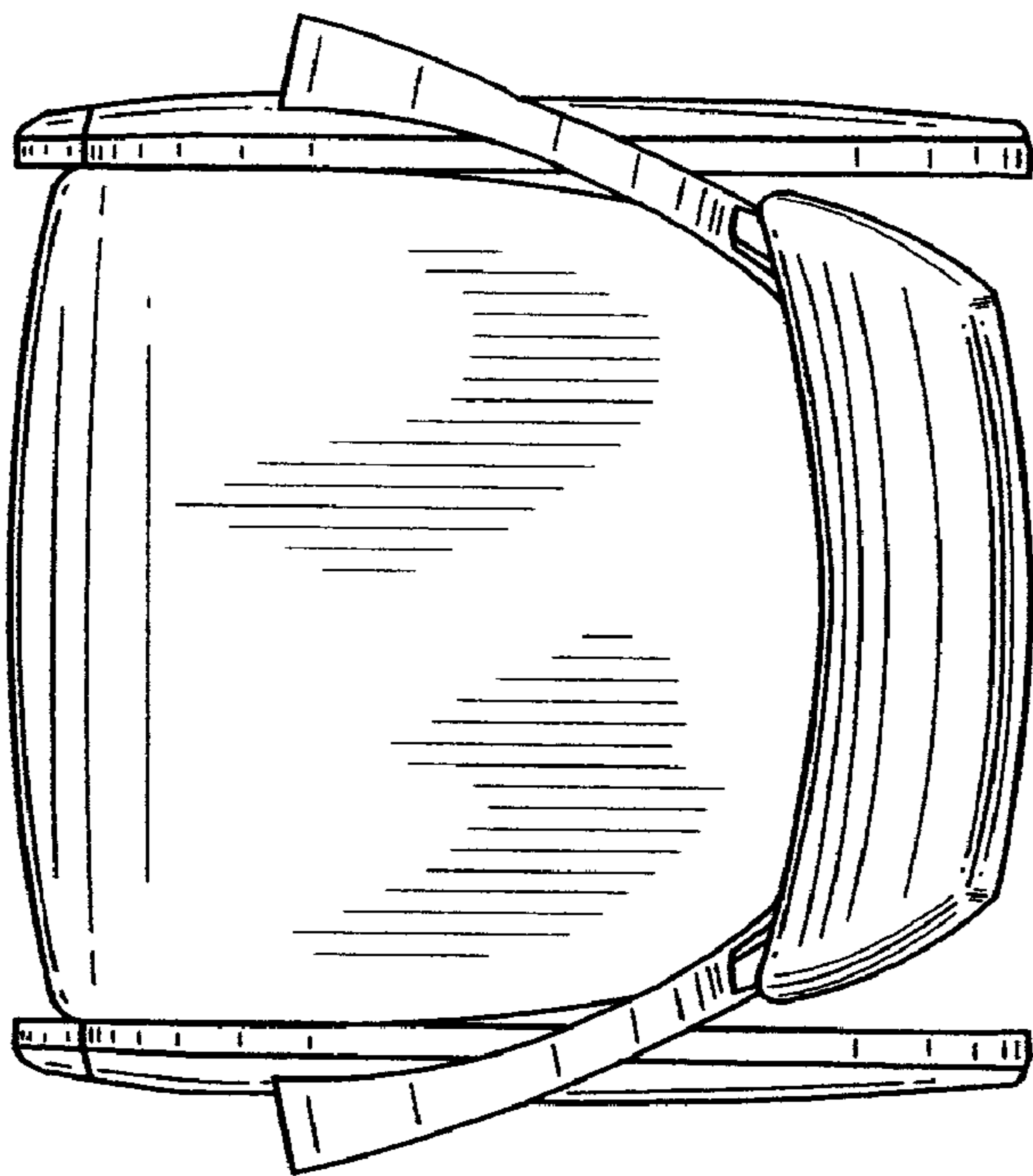
**FIG. 5**



**FIG. 4**



**FIG. 7**



**FIG. 6**