



US00D543372S

(12) **United States Design Patent**  
**Ping Sheng**

(10) **Patent No.:** **US D543,372 S**

(45) **Date of Patent:** **\*\* May 29, 2007**

(54) **CHAIR**

(75) Inventor: **Wang Ping Sheng**, Kowloon (HK)

(73) Assignee: **Agio International Company, Limited**,  
Kowloon (HK)

(\*\*) Term: **14 Years**

(21) Appl. No.: **29/257,960**

(22) Filed: **Apr. 13, 2006**

(51) **LOC (8) Cl.** ..... **06-01**

(52) **U.S. Cl.** ..... **D6/375; D6/369**

(58) **Field of Classification Search** ..... D6/334–336,  
D6/369, 370, 371–373, 374, 375, 376, 379,  
D6/380, 500–502; 297/411.2, 411.4, 411.42,  
297/411.43

See application file for complete search history.

(56) **References Cited**

U.S. PATENT DOCUMENTS

D223,193 S	*	3/1972	Chang	.....	D6/375
D243,571 S		3/1977	Wisner		
D265,953 S		8/1982	Olko		
D329,546 S	*	9/1992	Snodgrass	.....	D6/374
D335,969 S	*	6/1993	Hess	.....	D6/373
D343,529 S	*	1/1994	Sanders, Jr.	.....	D6/379
D360,993 S		8/1995	White		
D389,328 S		1/1998	Tseng		

5,803,540 A	9/1998	Schwartz	
5,845,970 A	12/1998	Schwartz	
D426,717 S	*	6/2000	Frinier ..... D6/375
6,179,382 B1	1/2001	Schwartz	
D456,629 S	5/2002	Rosebrock et al.	
D460,873 S	7/2002	Frinier	
D501,745 S	2/2005	Lawson	
6,848,248 B2	2/2005	Schwartz	
D503,557 S	4/2005	Erwin	
D503,558 S	4/2005	Erwin	
6,911,105 B2	6/2005	Schwartz	
2005/0206213 A1	9/2005	Schwartz	

\* cited by examiner

*Primary Examiner*—Mimosa De

(74) *Attorney, Agent, or Firm*—Williams Mullen; M. Bruce Harper

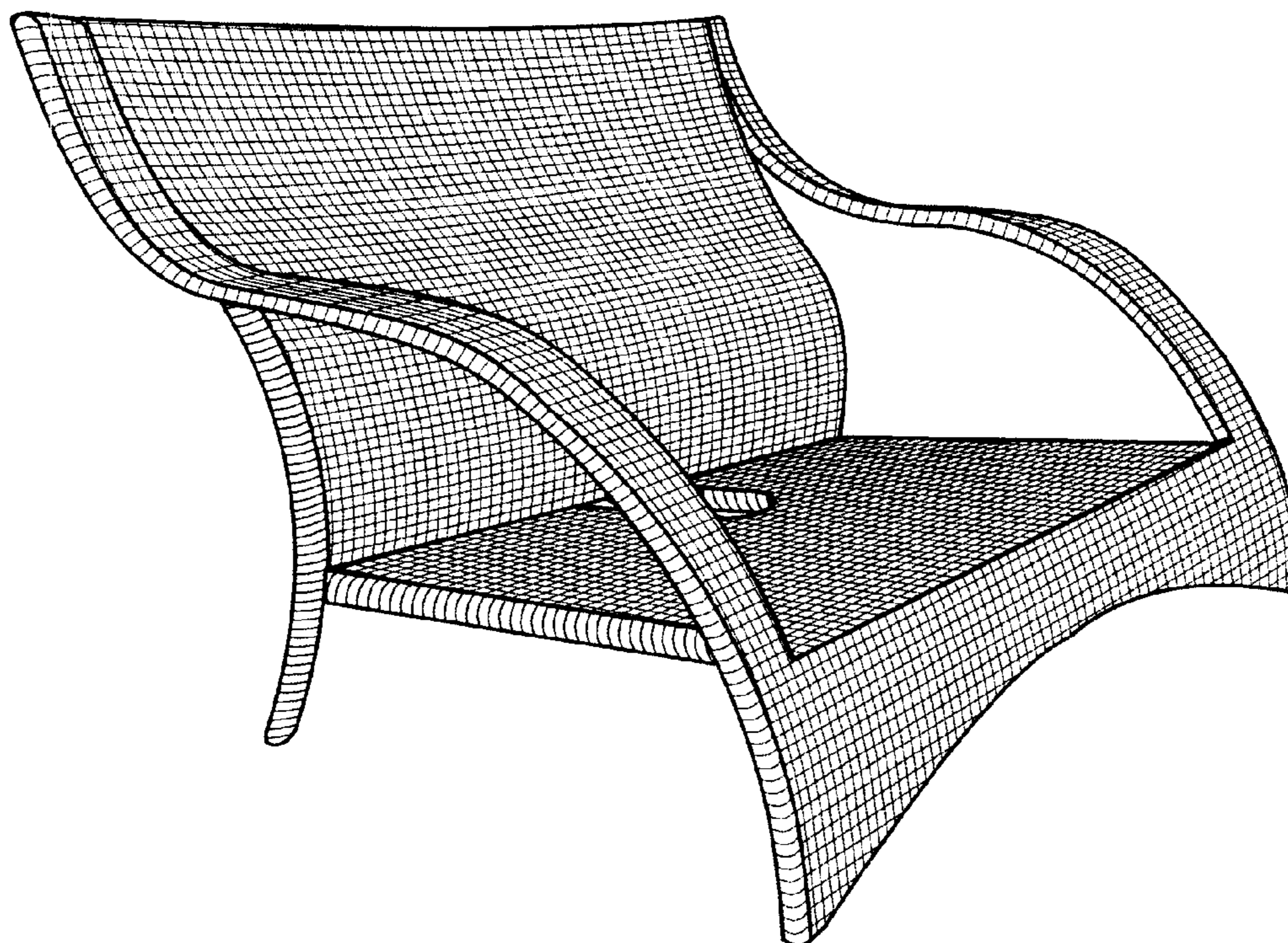
(57) **CLAIM**

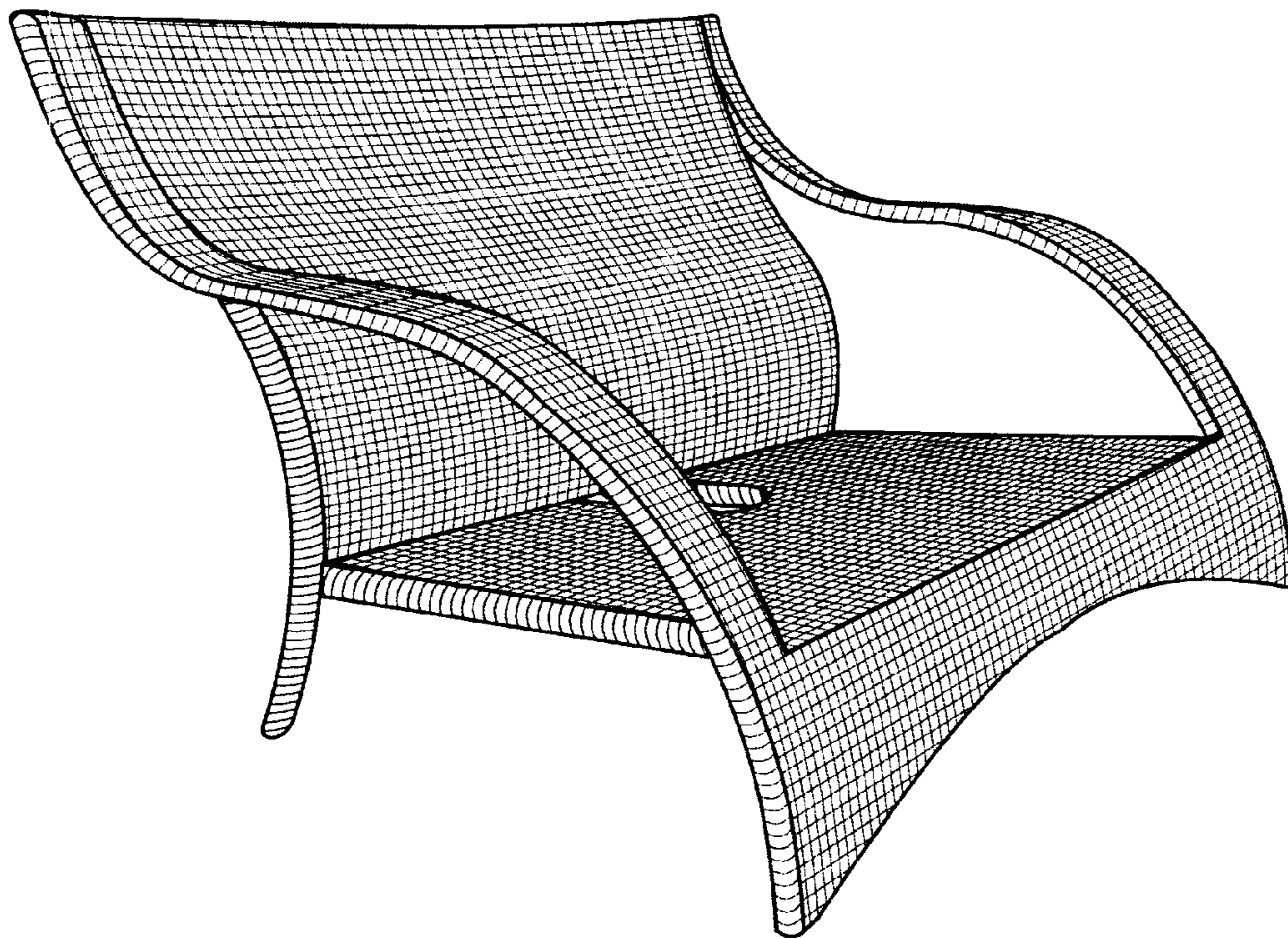
The ornamental design for a chair, as shown.

**DESCRIPTION**

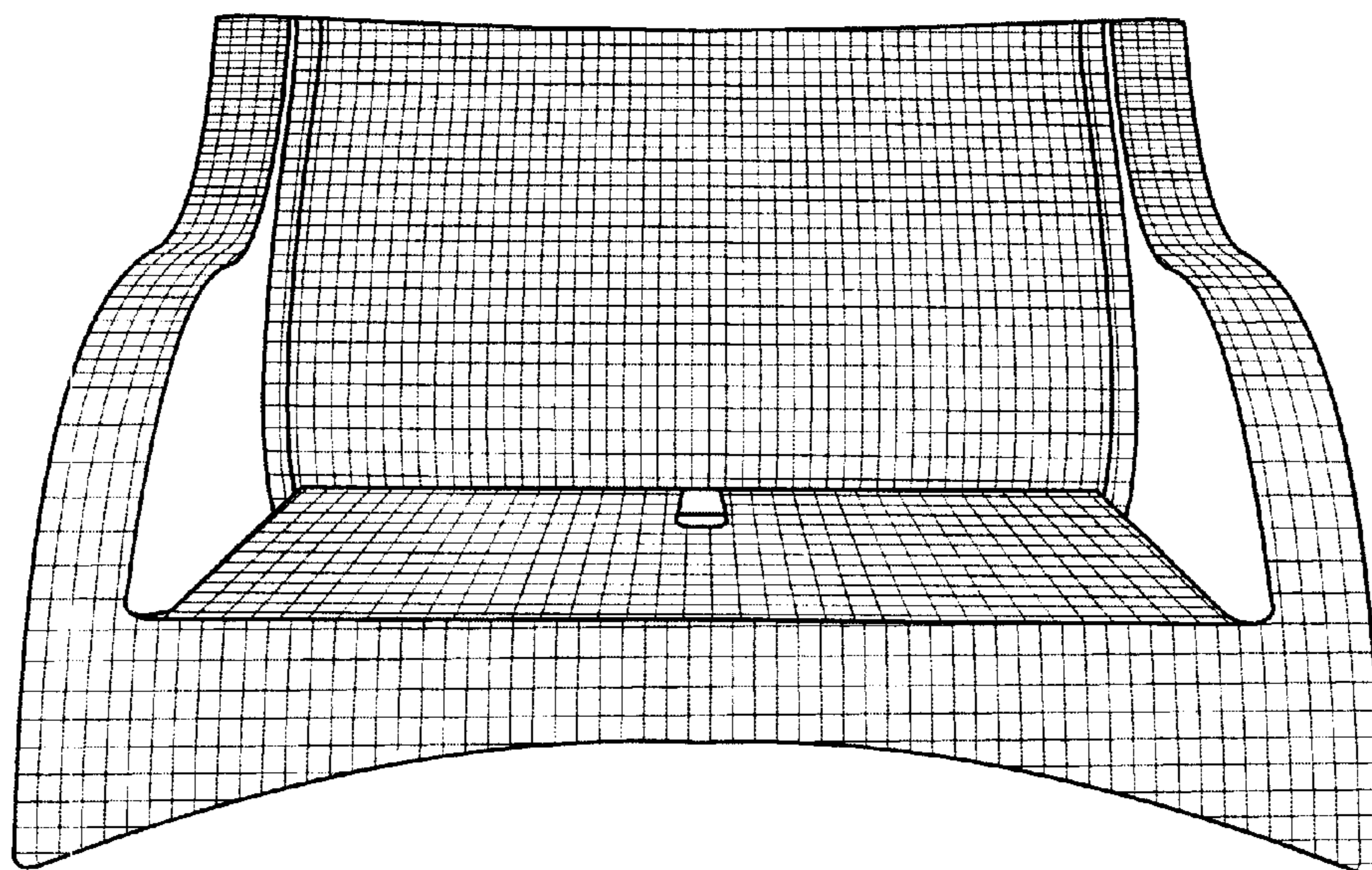
FIG. 1 is a perspective view;  
FIG. 2 is a front view;  
FIG. 3 is a back view;  
FIG. 4 is a right side view;  
FIG. 5 is a left side view;  
FIG. 6 is a top view; and,  
FIG. 7 is a bottom view.

**1 Claim, 4 Drawing Sheets**

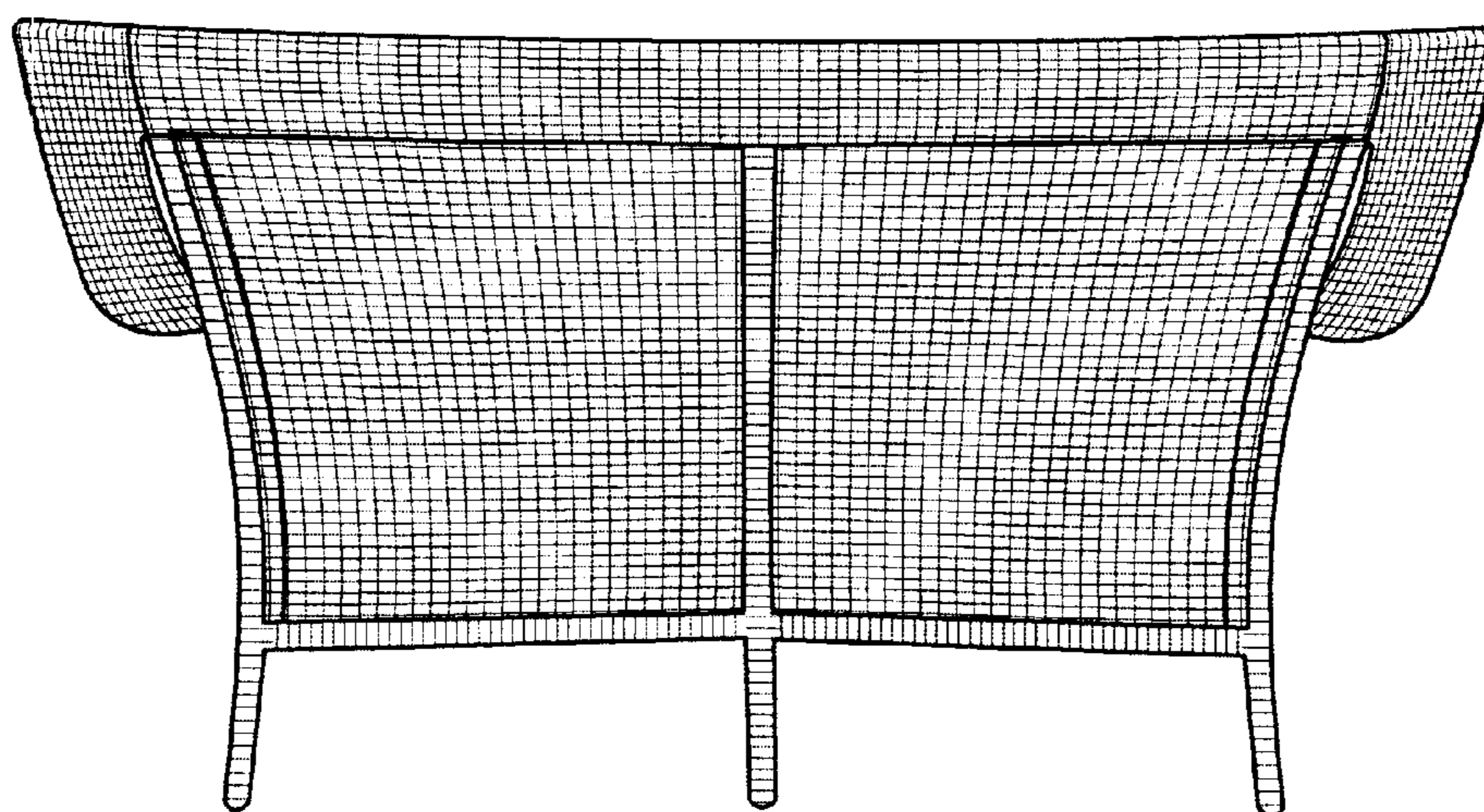




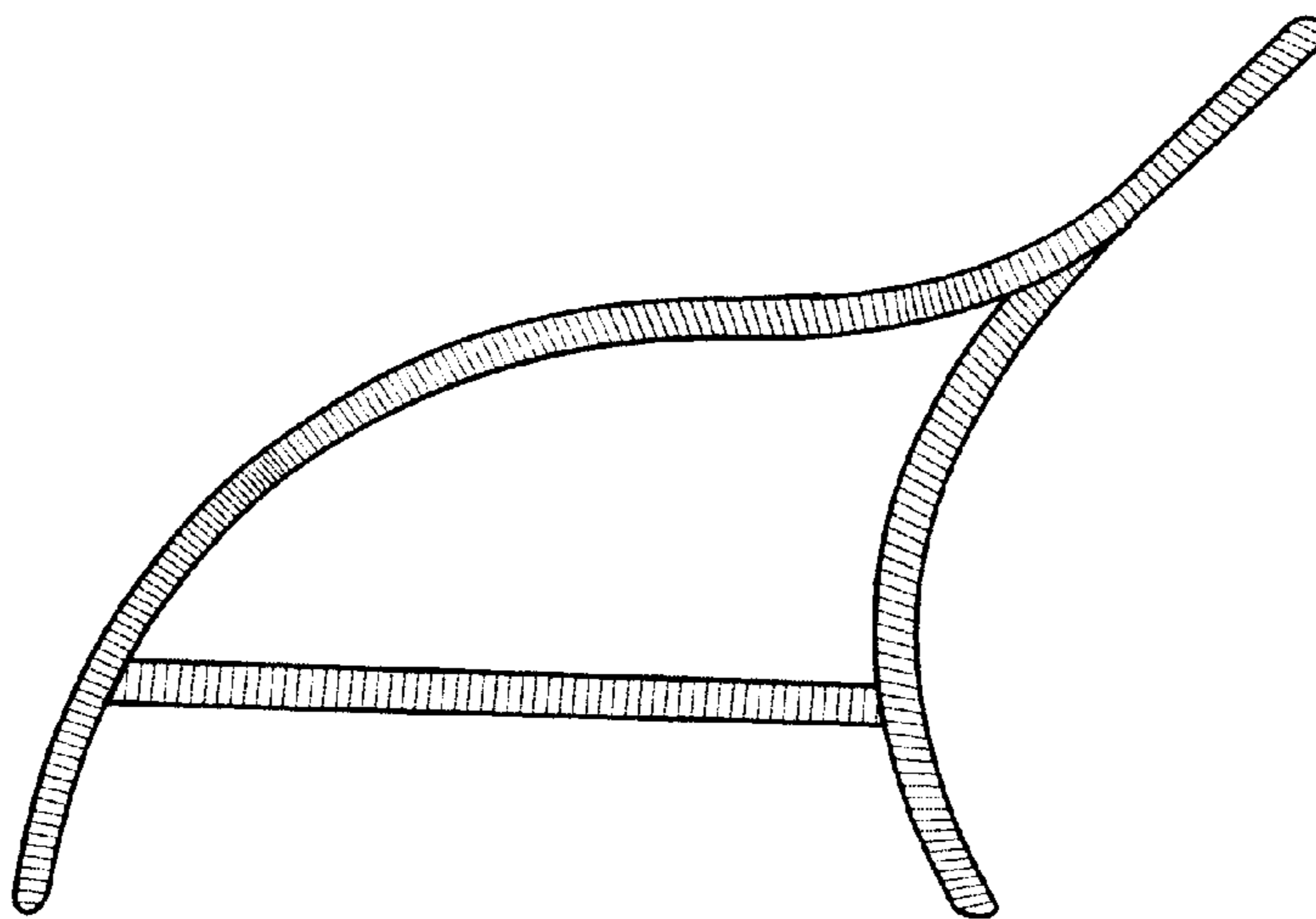
**FIG. 1**



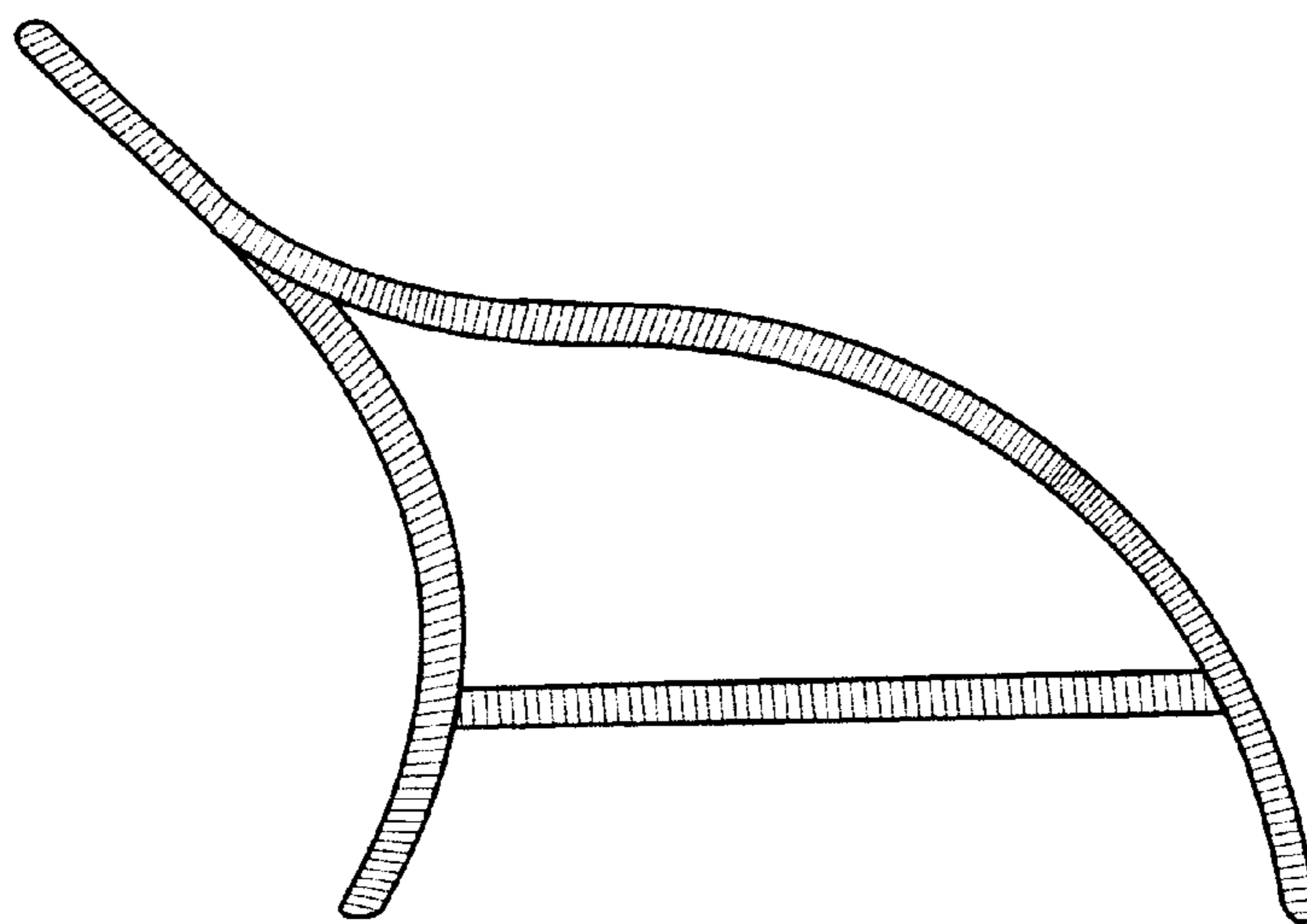
**FIG. 2**



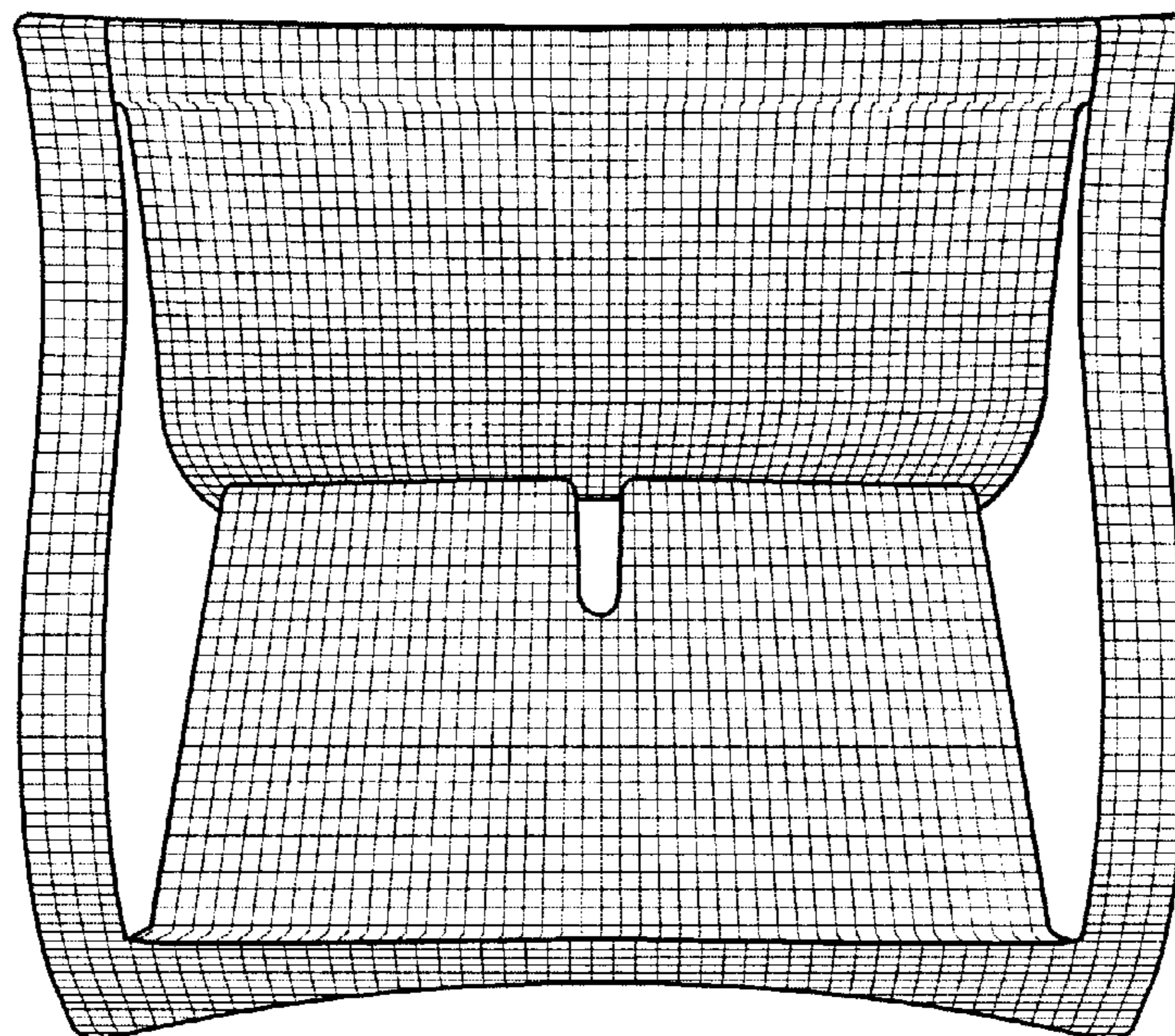
**FIG. 3**



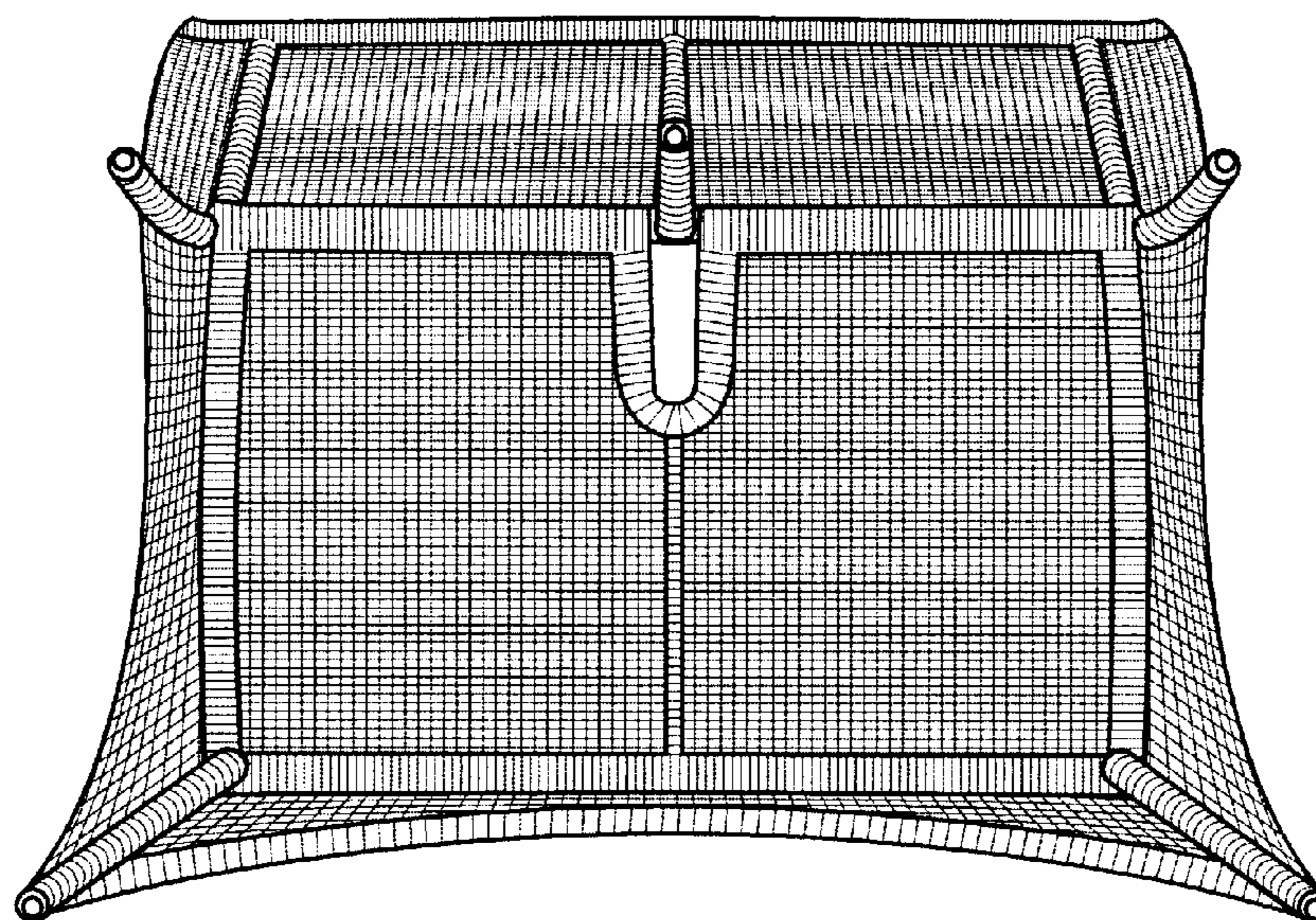
**FIG. 4**



**FIG. 5**



**FIG. 6**



**FIG. 7**