

US00D543367S

(12) **United States Design Patent**
Sack

(10) **Patent No.:** **US D543,367 S**

(45) **Date of Patent:** **** May 29, 2007**

(54) **GARMENT CADDY**

D323,748 S * 2/1992 LaCroix et al. D6/315
D509,669 S * 9/2005 Krebs D6/315

(75) Inventor: **Donald John Sack**, 2800 N. Western Ave., Racine, WI (US) 53404

* cited by examiner

(73) Assignees: **Donald John Sack**, Racine, WI (US);
Sharon E. Sack

Primary Examiner—Stella Reid

Assistant Examiner—Shanda C. Hill

(74) *Attorney, Agent, or Firm*—Jansson, Shupe, Munger & Antaramian, Ltd.

(**) Term: **14 Years**

(21) Appl. No.: **29/251,033**

(57) **CLAIM**

(22) Filed: **Jan. 3, 2006**

I claim the ornamental design for a garment caddy, as shown and described.

(51) **LOC (8) Cl.** **06-08**

(52) **U.S. Cl.** **D6/315**

(58) **Field of Classification Search** D6/315,
D6/317–319, 326, 328; 211/13.1, 85.3; 223/85–98
See application file for complete search history.

DESCRIPTION

(56) **References Cited**

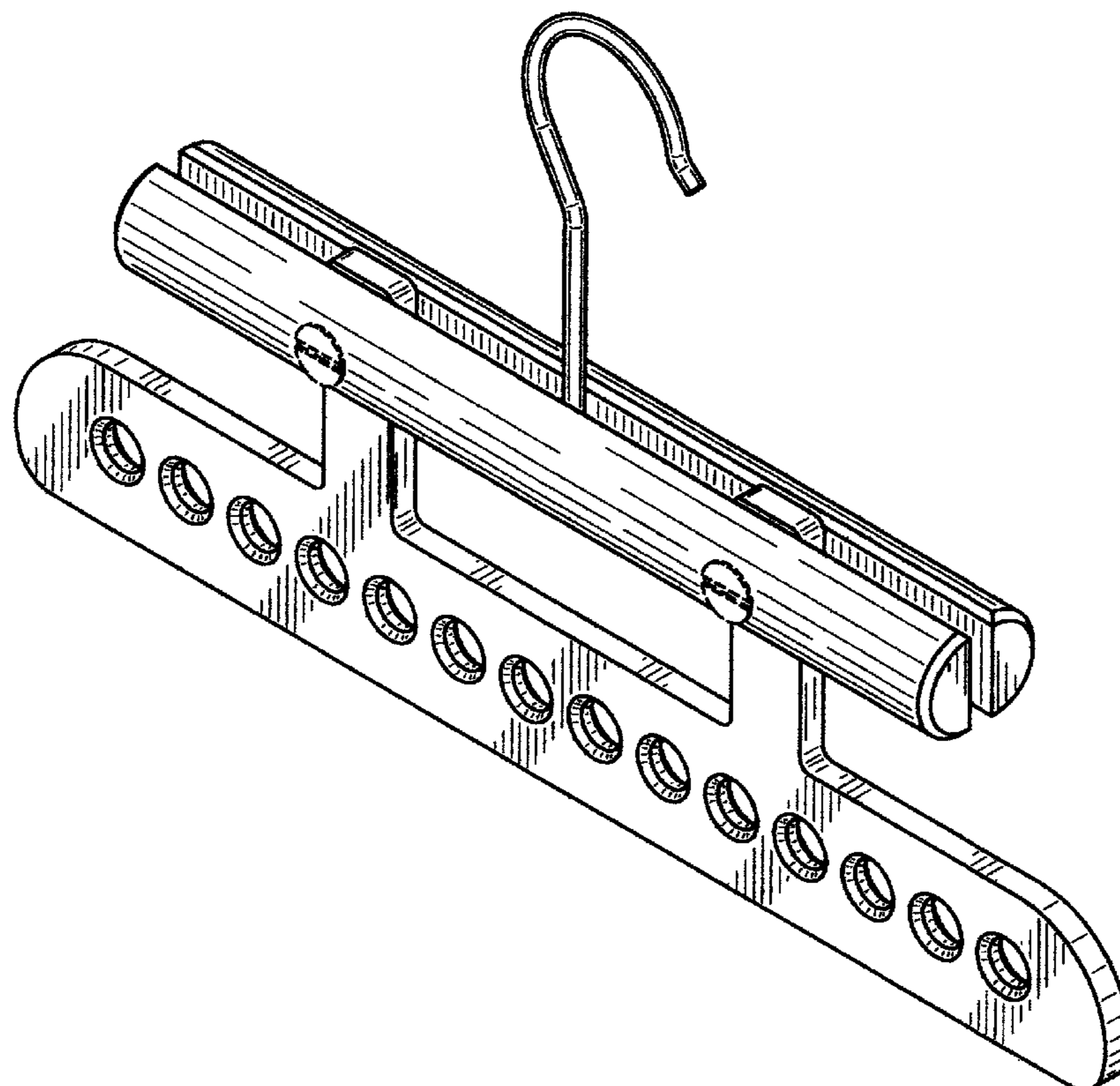
U.S. PATENT DOCUMENTS

- D151,572 S * 10/1948 Tomarin D6/315
- D156,953 S * 1/1950 Goetsch D6/315
- D247,084 S * 1/1978 De Mascole et al. D6/315
- D267,919 S * 2/1983 Owens D6/315
- D281,469 S * 11/1985 Honermann D6/317
- D311,458 S * 10/1990 La Croix D6/315
- D323,247 S * 1/1992 Chen D6/326

FIG. 1 is a perspective view of a garment caddy according to my new design;
FIG. 2 is a front elevational view thereof;
FIG. 3 is a rear elevational view thereof;
FIG. 4 is an elevational end view of a first end thereof;
FIG. 5 is an elevational end view of a second end thereof;
FIG. 6 is a top plan view thereof; and,
FIG. 7 is a bottom plan view thereof.

The broken or dashed lines in the drawing figures are for illustrative purposes only and form no part of the claimed design.

1 Claim, 5 Drawing Sheets



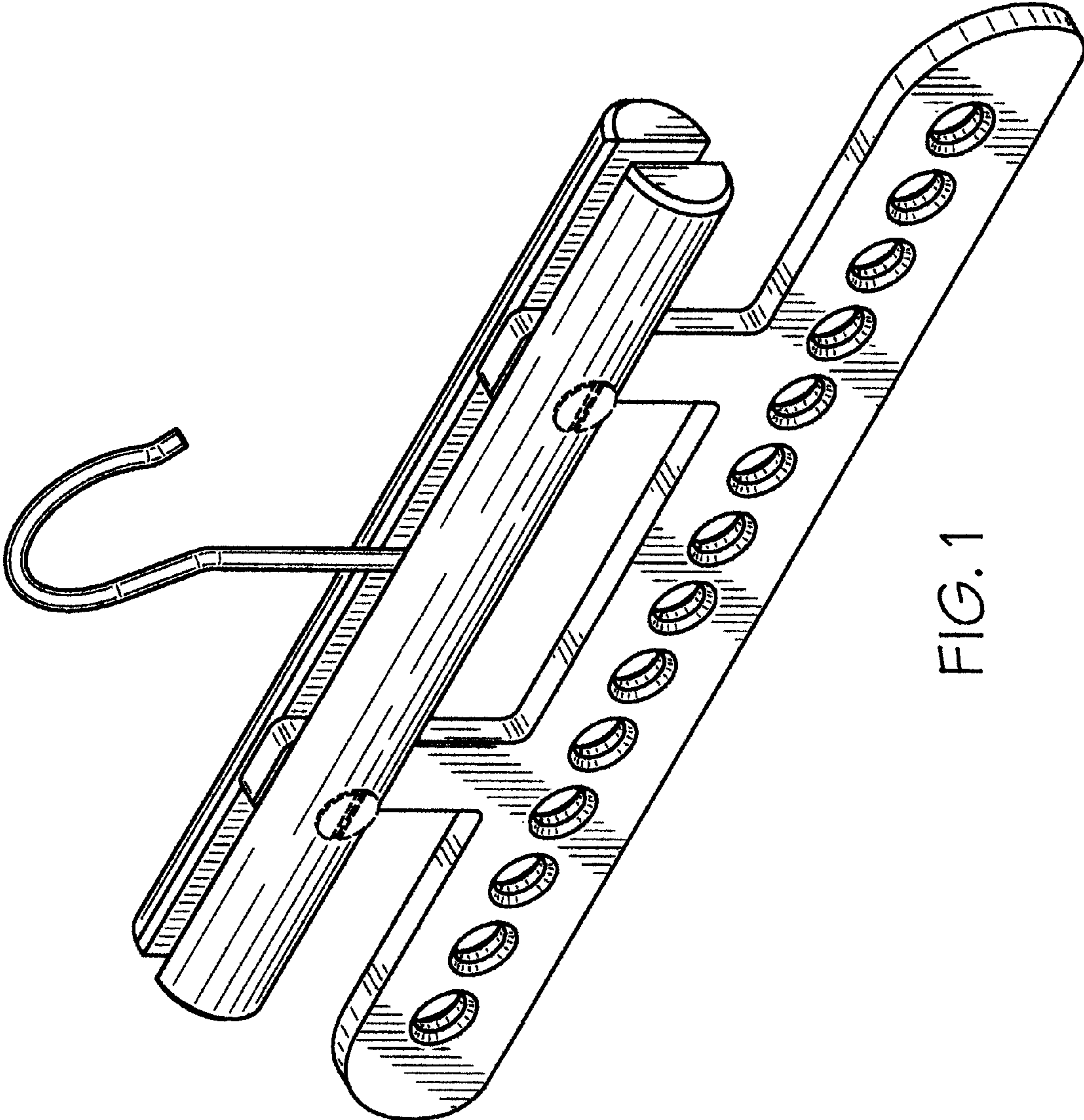


FIG. 1

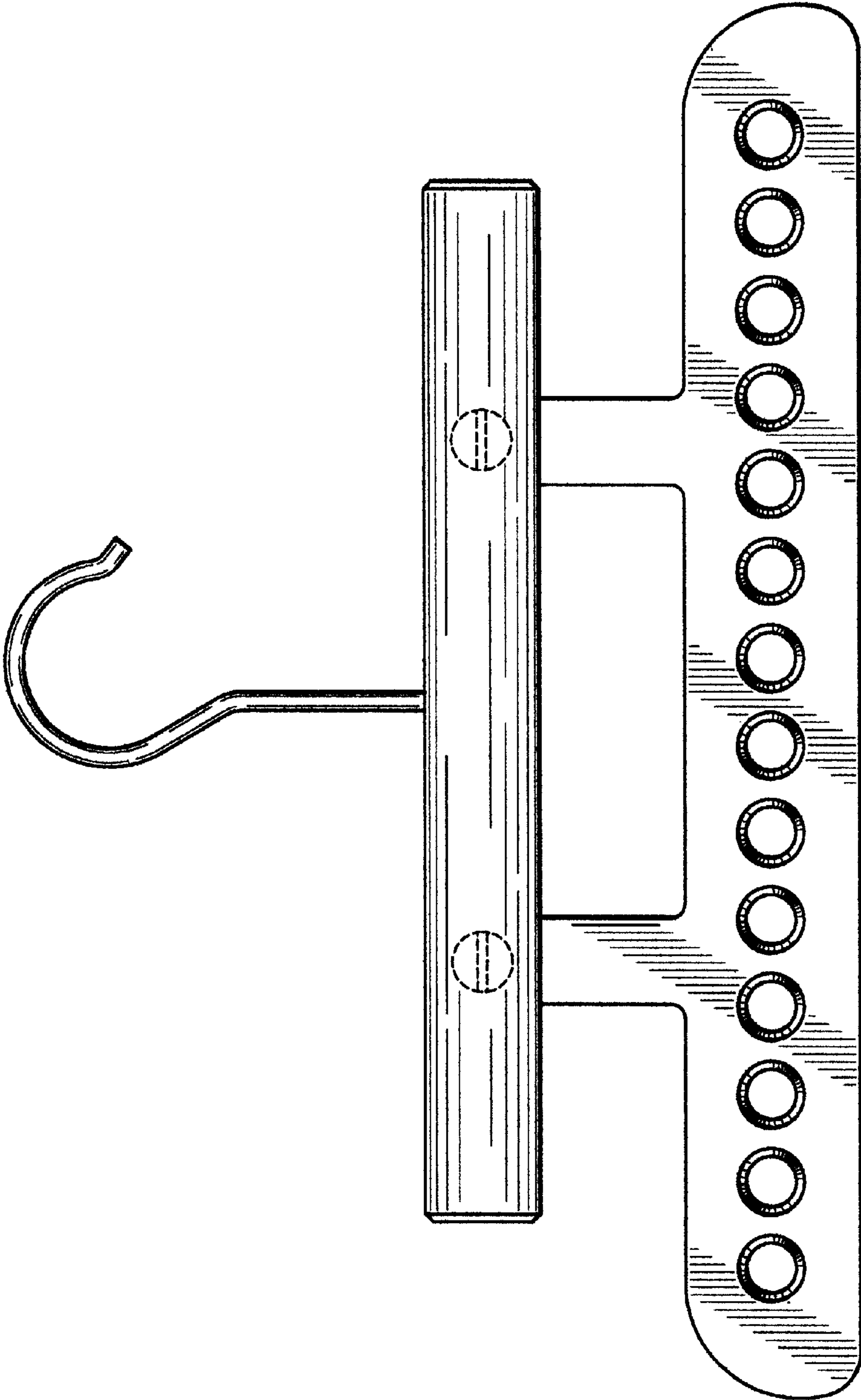


FIG. 2

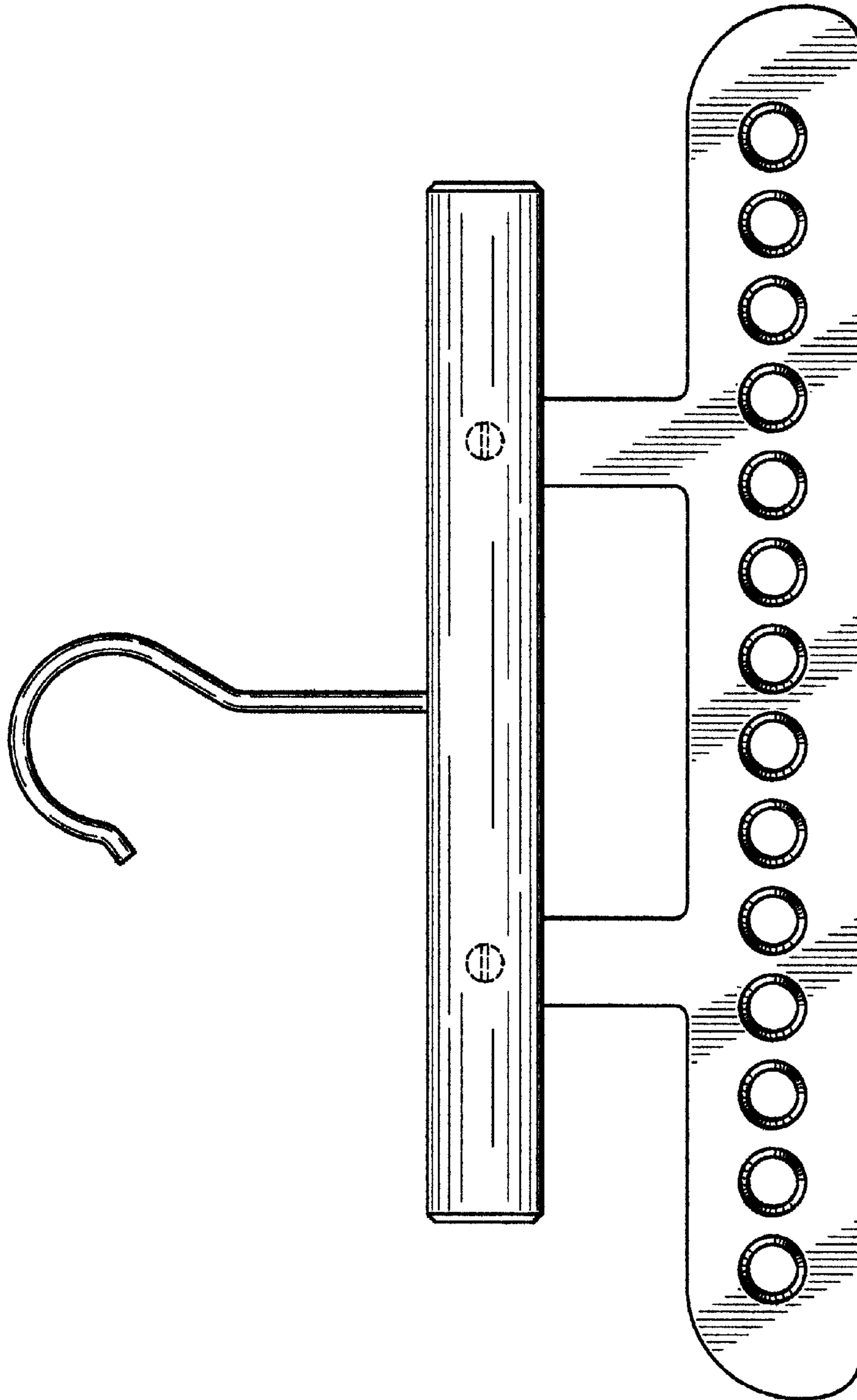


FIG. 3

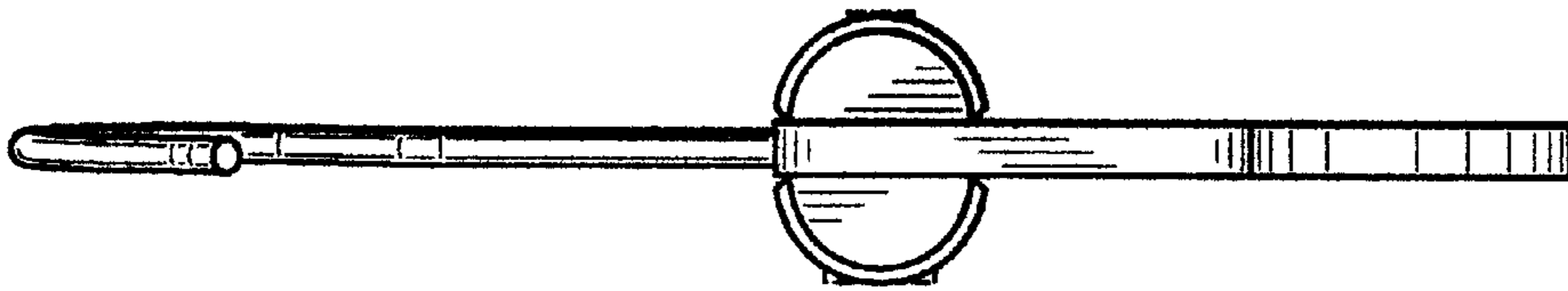


FIG. 5

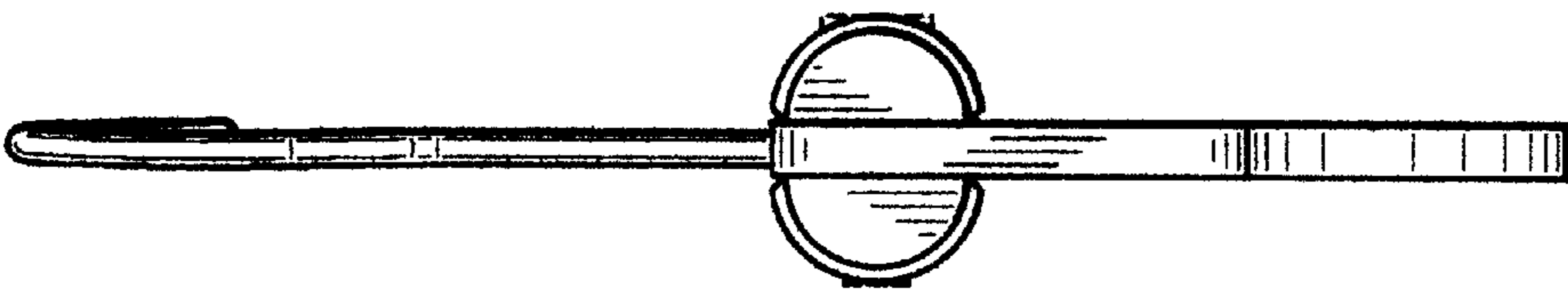


FIG. 4

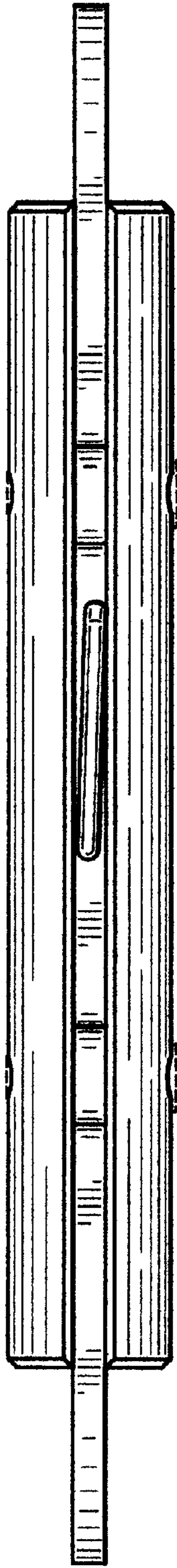


FIG. 6

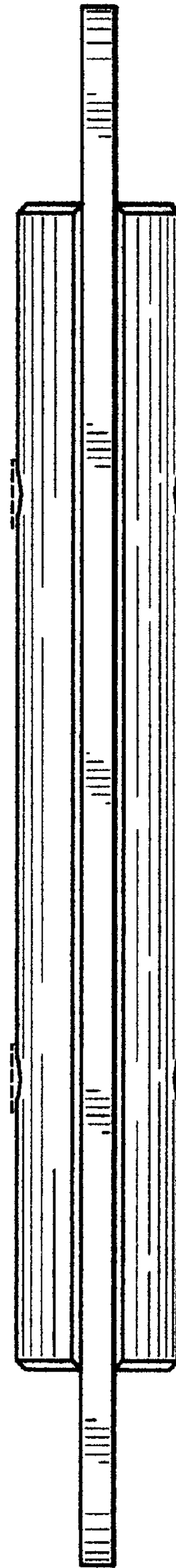


FIG. 7