



US00D543366S

(12) **United States Design Patent**  
**Weatherly**

(10) **Patent No.:** **US D543,366 S**

(45) **Date of Patent:** **\*\* May 29, 2007**

(54) **MIRROR**

D410,496 S \* 6/1999 Wyse ..... D20/41

(75) Inventor: **Matthew Weatherly**, Fairfax, VA (US)

\* cited by examiner

(73) Assignee: **Becker Designed, Inc.**, Chantilly, VA (US)

*Primary Examiner*—Caron D. Veynar

*Assistant Examiner*—Sydney R. Buffalow

(74) *Attorney, Agent, or Firm*—Design IP, P.C.

(\*\*) Term: **14 Years**

(57) **CLAIM**

(21) Appl. No.: **29/246,320**

The ornamental design for a mirror, as shown and described.

(22) Filed: **Mar. 31, 2006**

**DESCRIPTION**

(51) **LOC (8) Cl.** ..... **06-07**

FIG. 1 is a perspective view of an ornamental design for a mirror showing my new design;

(52) **U.S. Cl.** ..... **D6/312**

FIG. 2 is a front orthographic view thereof;

(58) **Field of Classification Search** ..... D6/300–314,  
D6/444, 559, 419; D20/41, 10, 21; 40/700,  
40/734; 312/204, 224

FIG. 3 is a rear orthographic view thereof;

FIG. 4 is a top view thereof;

See application file for complete search history.

FIG. 5 is a right side view thereof; and,

FIG. 6 is a left side view thereof.

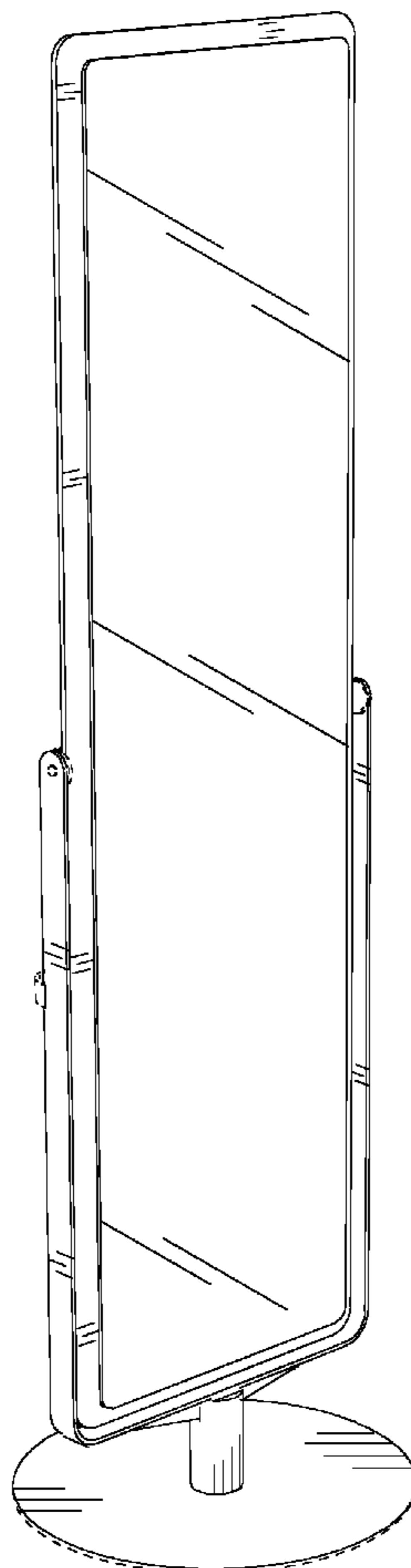
(56) **References Cited**

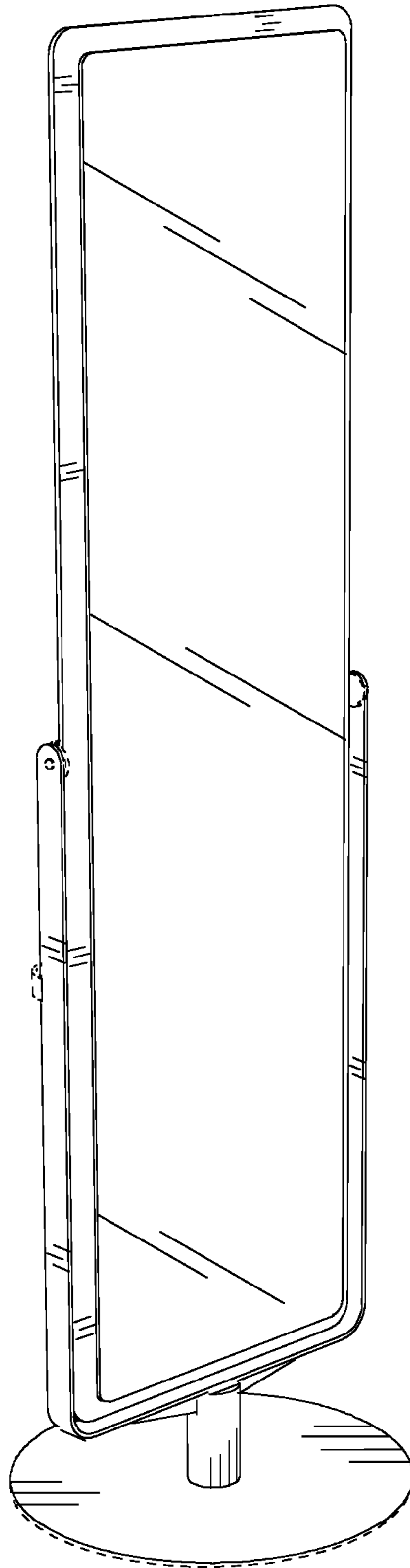
**U.S. PATENT DOCUMENTS**

D318,376 S *	7/1991	Evans	.....	D6/309
D334,215 S *	3/1993	Rowlands	.....	D20/21
D336,179 S *	6/1993	Saunders	.....	D6/444
D346,286 S *	4/1994	Caponigro et al.	.....	D6/419
D383,937 S *	9/1997	Myers	.....	D6/559

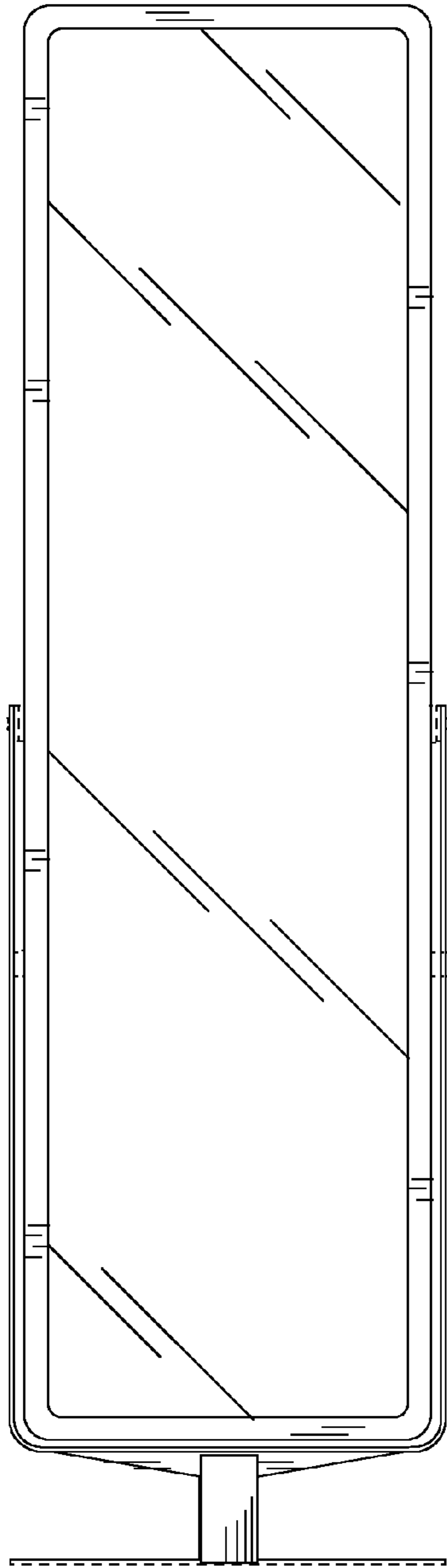
The broken lines shown in FIGS. 1–6 are included for the purpose of illustrating environmental elements only and form no part of the claimed design. The bottom view is omitted and forms no part of the claimed designs.

**1 Claim, 5 Drawing Sheets**

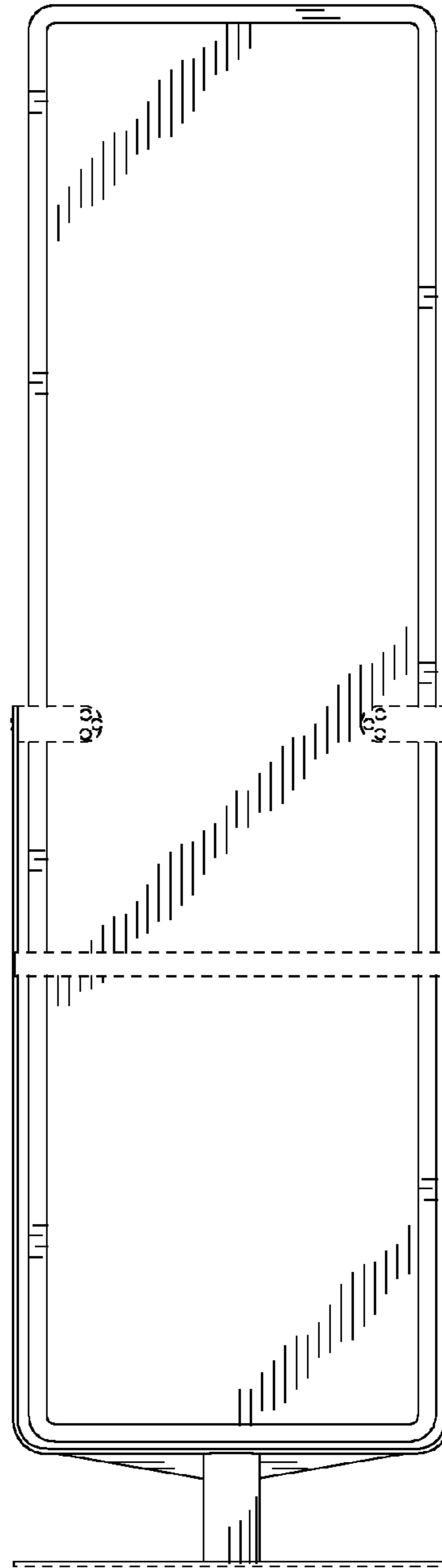




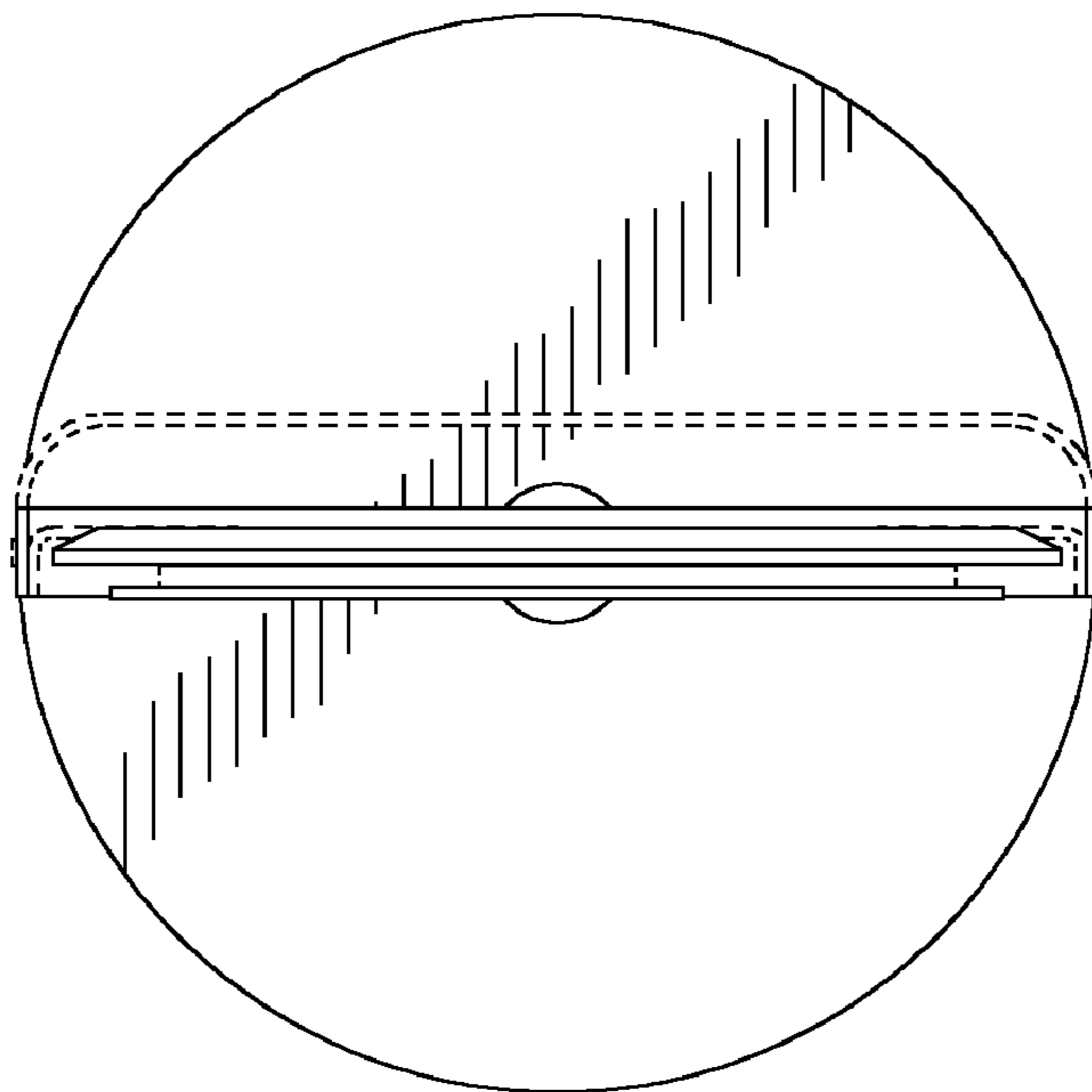
**Fig. 1**



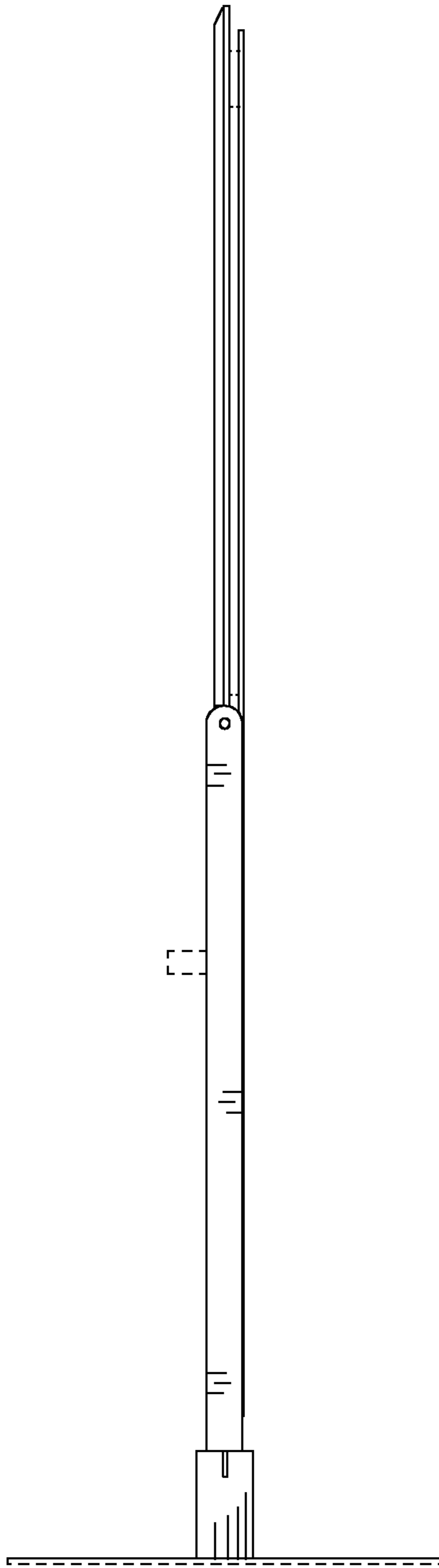
**Fig. 2**



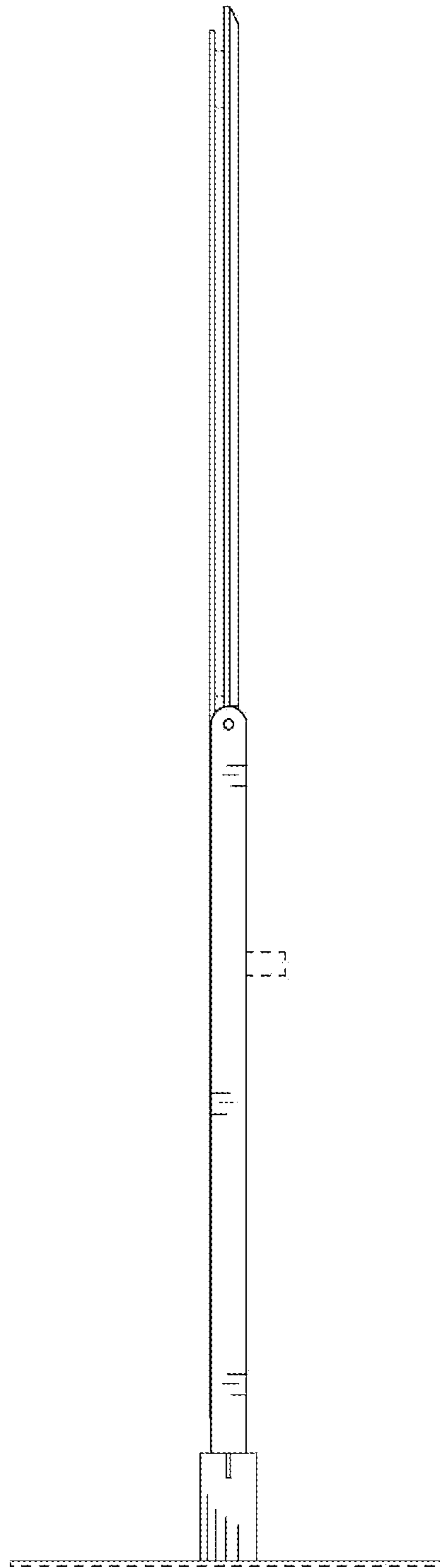
**Fig. 3**



**Fig. 4**



**Fig. 5**



**Fig. 6**