

US00D543364S

(12) **United States Design Patent**  
**Fleischer**

(10) **Patent No.:** **US D543,364 S**

(45) **Date of Patent:** **\*\* May 29, 2007**

(54) **FRAME FOR A CD/DVD**

(76) Inventor: **Allan Fleischer**, Mimersgade 56, 2nd,  
Copenhagen N (DK), DK-2200

(\*\*) Term: **14 Years**

(21) Appl. No.: **29/233,511**

(22) Filed: **Jul. 5, 2005**

(30) **Foreign Application Priority Data**

Jan. 6, 2005 (EP) ..... 000279229

(51) **LOC (8) Cl.** ..... **06-07**

(52) **U.S. Cl.** ..... **D6/300**

(58) **Field of Classification Search** ..... D6/300-314;  
D28/78, 83, 77, 76; 40/700, 711, 714-716,  
40/721, 765, 780, 790, 798, 766, 709, 722;  
D20/40

See application file for complete search history.

(56) **References Cited**

**U.S. PATENT DOCUMENTS**

2,534,100	A *	12/1950	Baumgartner	.....	220/345.4
4,041,630	A *	8/1977	Holbrook	.....	40/765
4,113,098	A *	9/1978	Howard	.....	206/540
4,526,273	A *	7/1985	Tsuji et al.	.....	206/229
4,691,456	A *	9/1987	Ackeret	.....	40/721
D314,448	S *	2/1991	Bakic	.....	D28/78
5,421,111	A *	6/1995	Primm et al.	.....	40/721
D392,112	S *	3/1998	Cynkar et al.	.....	D6/314
D433,191	S *	10/2000	Adachi et al.	.....	D28/78

\* cited by examiner

*Primary Examiner*—Caron D. Veynar  
*Assistant Examiner*—Sydney R. Buffalow

(74) *Attorney, Agent, or Firm*—Klein, O'Neill & Singh,  
LLP; Howard J. Klein

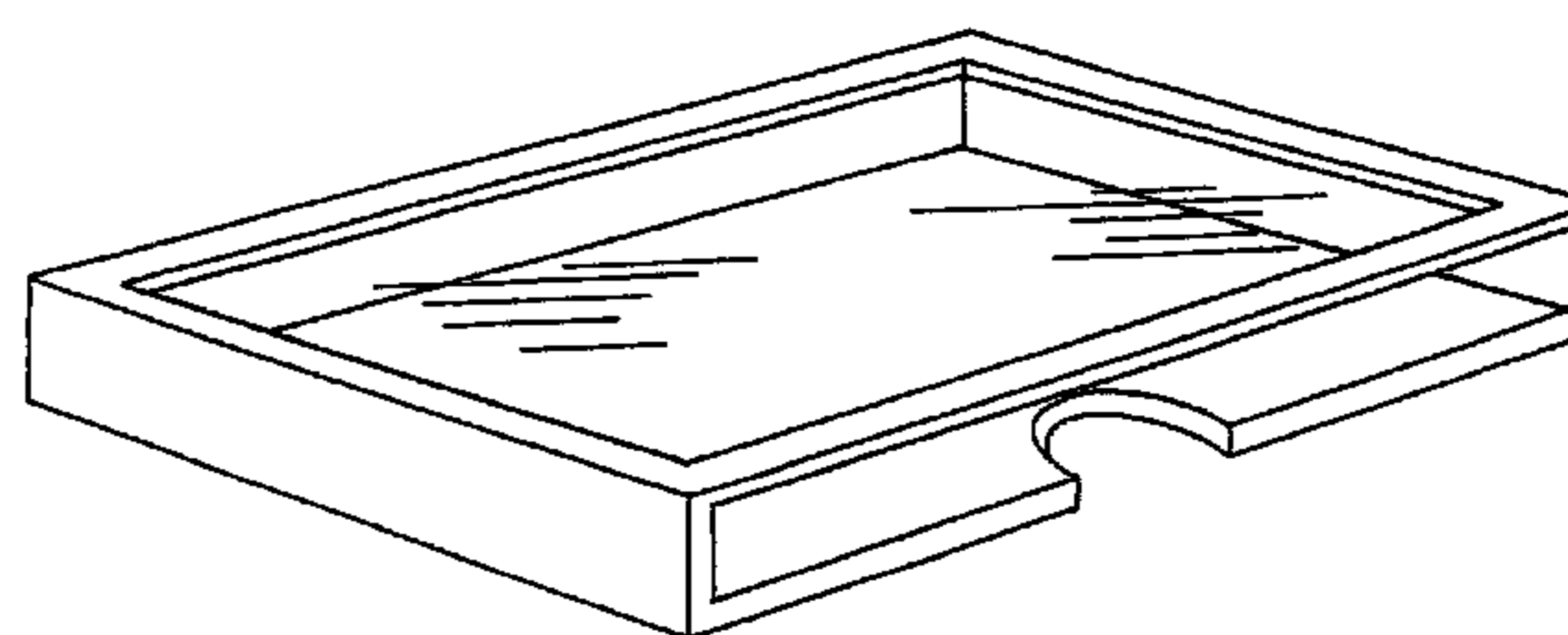
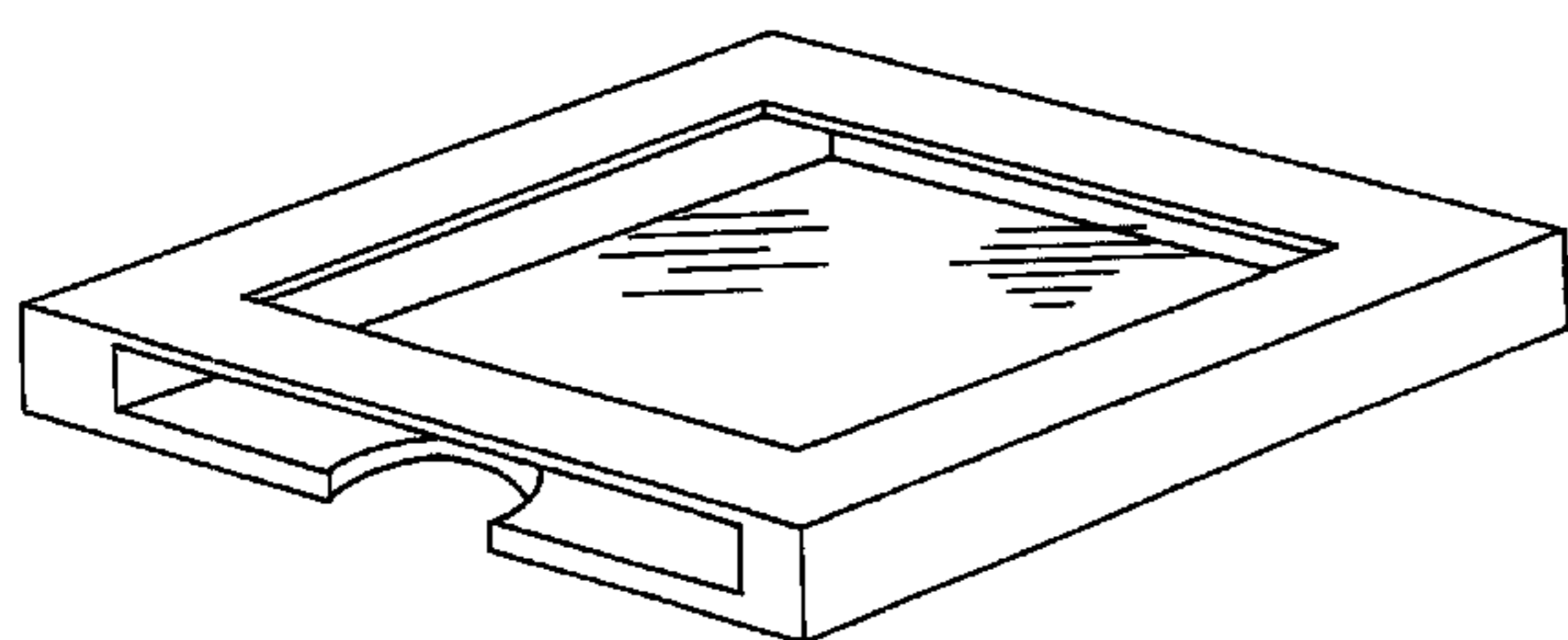
(57) **CLAIM**

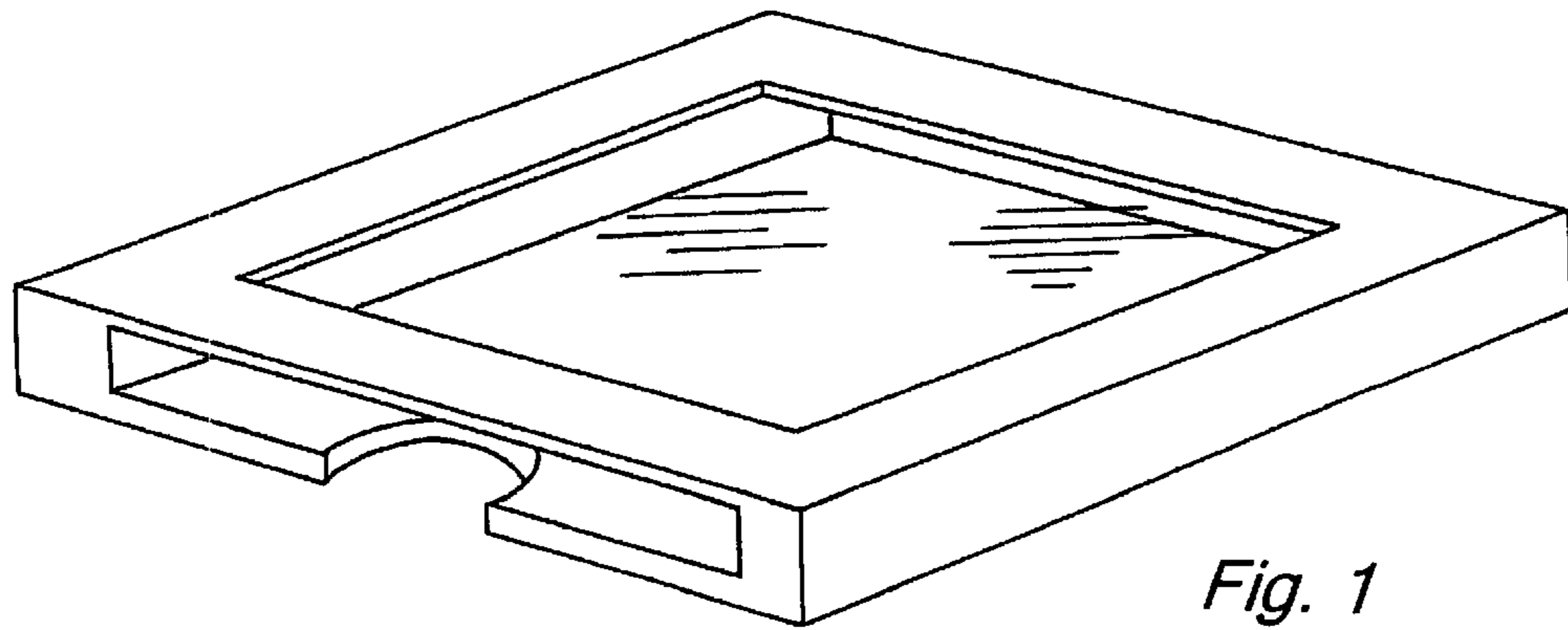
The ornamental design for a frame for a CD/DVD, as shown and described.

**DESCRIPTION**

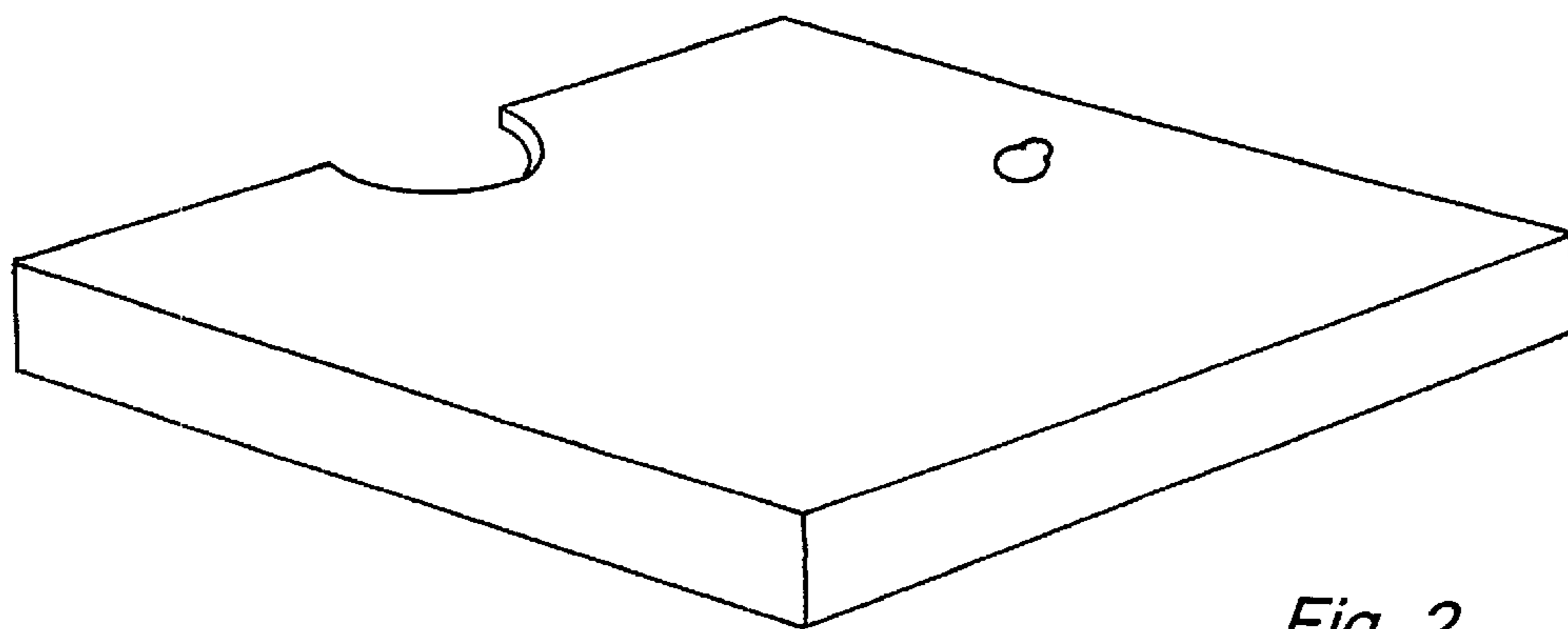
FIG. 1 is a perspective view of a frame for a CD/DVD; FIG. 2 is a bottom, rear perspective view of the frame of FIG. 1; FIG. 3 is a front elevational view of the frame of FIG. 1; FIG. 4 is a rear elevational view of the frame of FIG. 1; FIG. 5 is a top plan view of the frame of FIG. 1; FIG. 6 is a bottom plan view of the frame of FIG. 1; FIG. 7 is right side elevational view of the frame of FIG. 1; FIG. 8 is a left side elevational view of the frame of FIG. 1; FIG. 9 is a perspective view of a frame for a CD/DVD, in accordance with a second embodiment of my new design; FIG. 10 is a bottom, rear perspective view of the frame of FIG. 9; FIG. 11 is a front elevational view of the frame of FIG. 9; FIG. 12 is a rear elevational view of the frame of FIG. 9; FIG. 13 is a top plan view of the frame of FIG. 9; FIG. 14 is a bottom plan view of the frame of FIG. 9; FIG. 15 is right side elevational view of the frame of FIG. 9; and, FIG. 16 is a left side elevational view of the frame of FIG. 9.

**1 Claim, 4 Drawing Sheets**



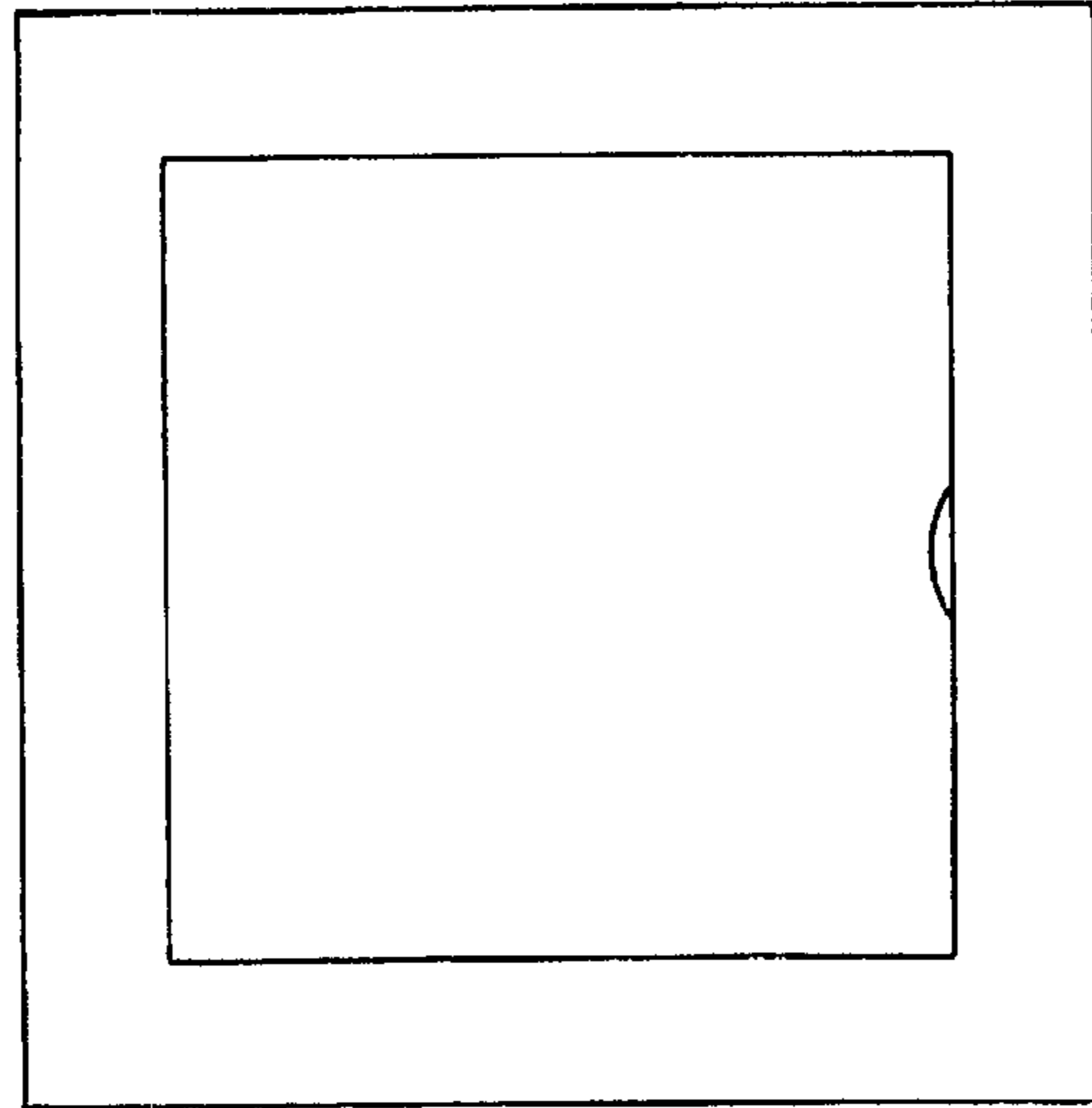


*Fig. 1*

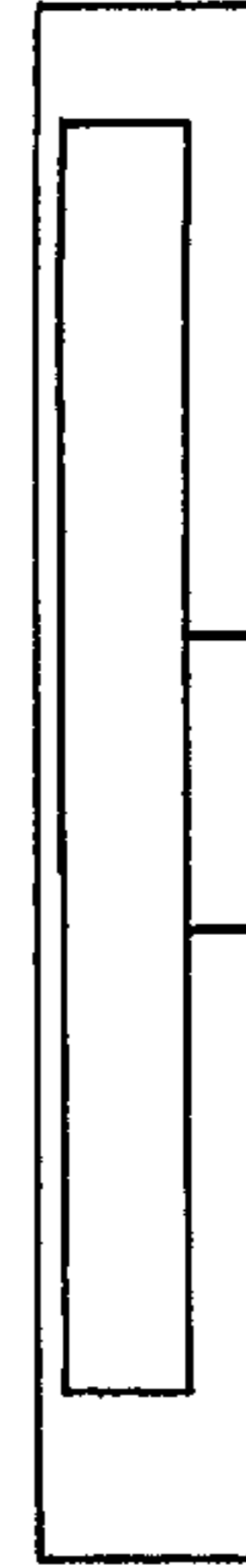


*Fig. 2*

*Fig. 5*



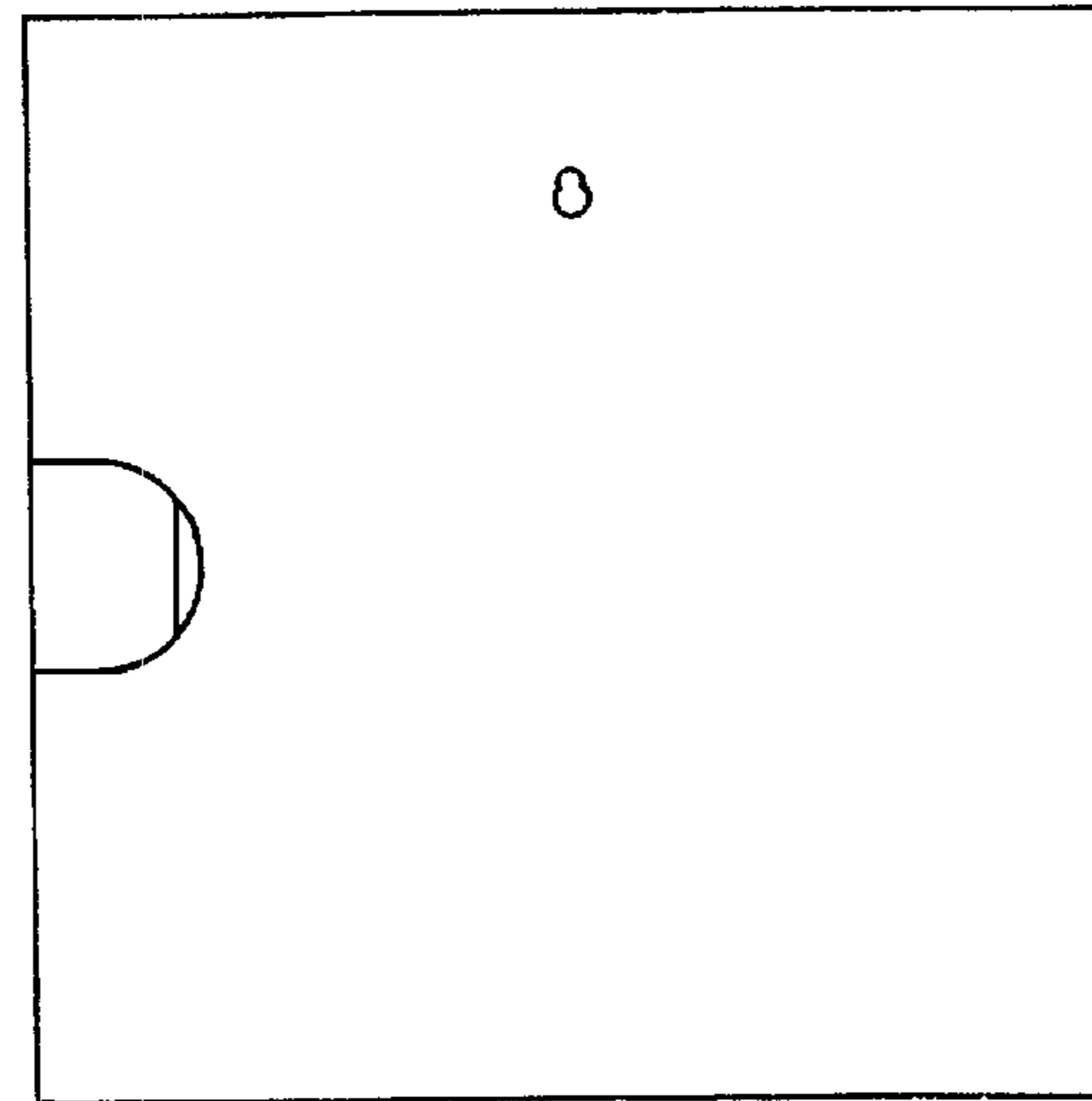
*Fig. 3*



*Fig. 7*



*Fig. 6*

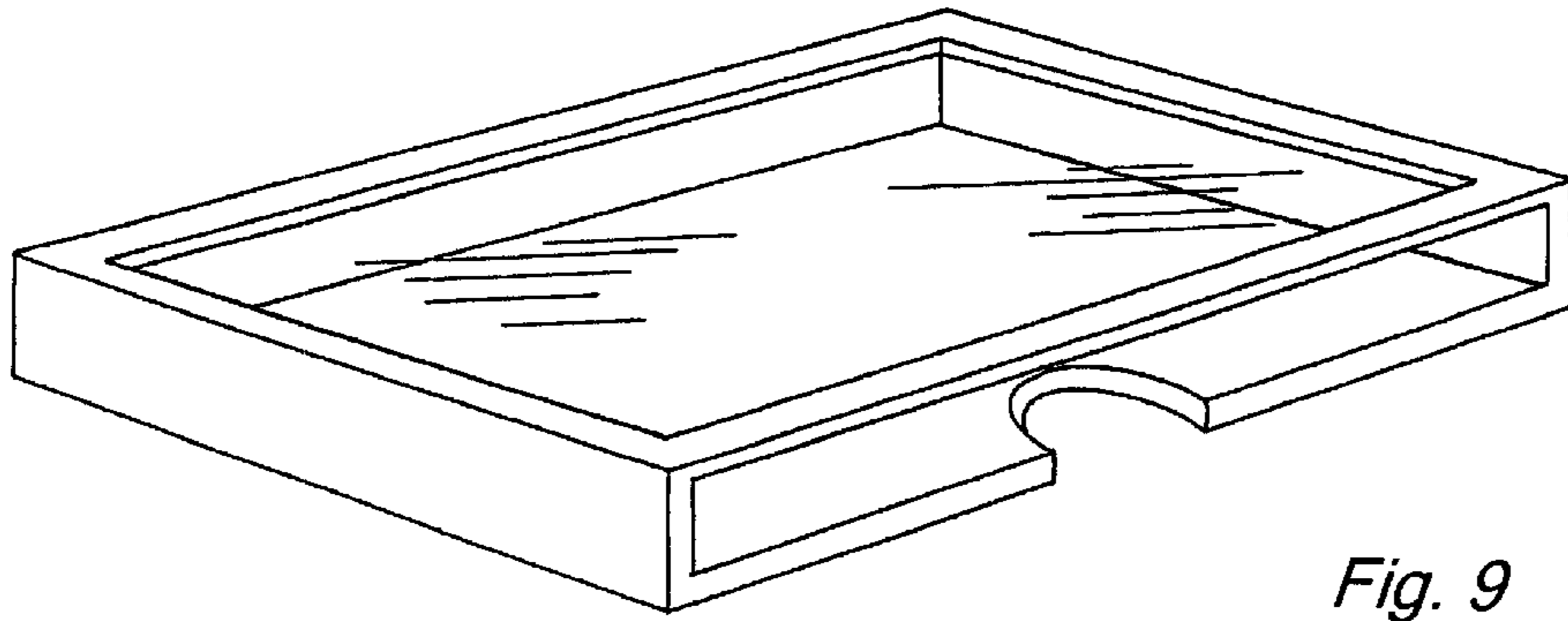


*Fig. 4*

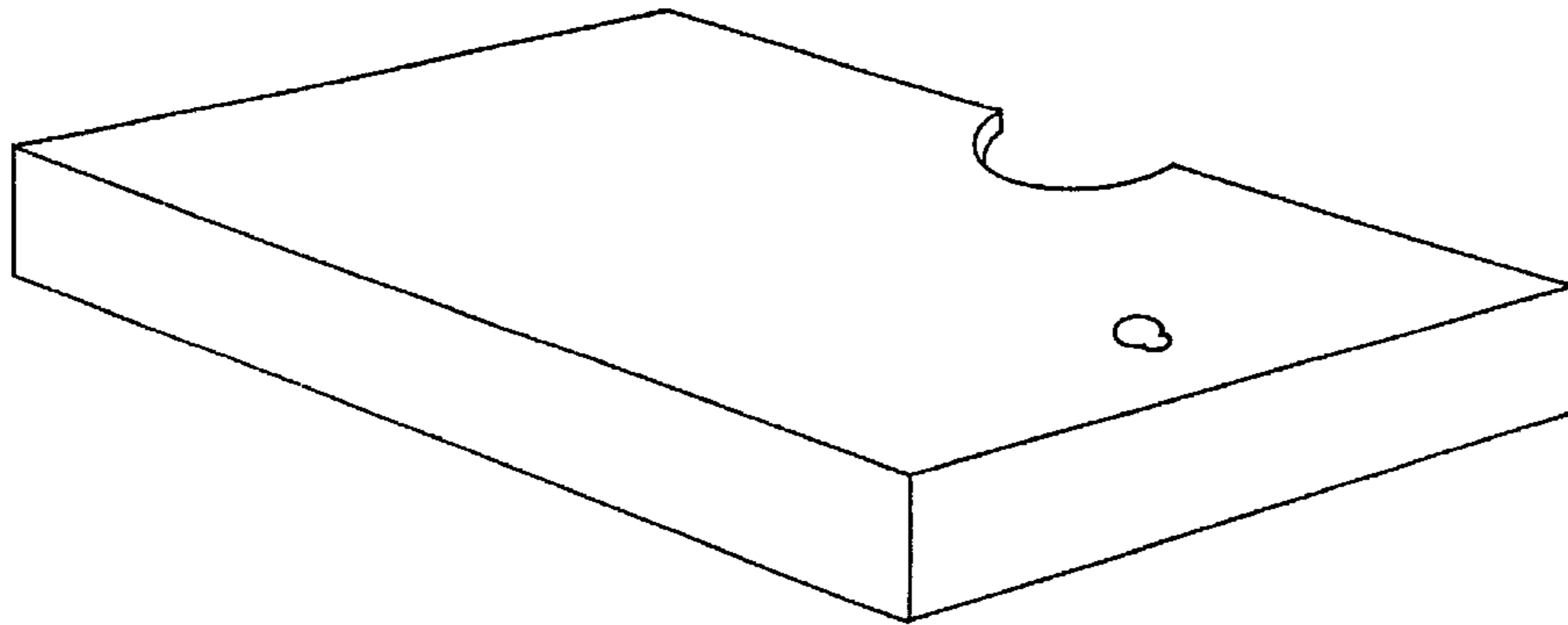


*Fig. 8*



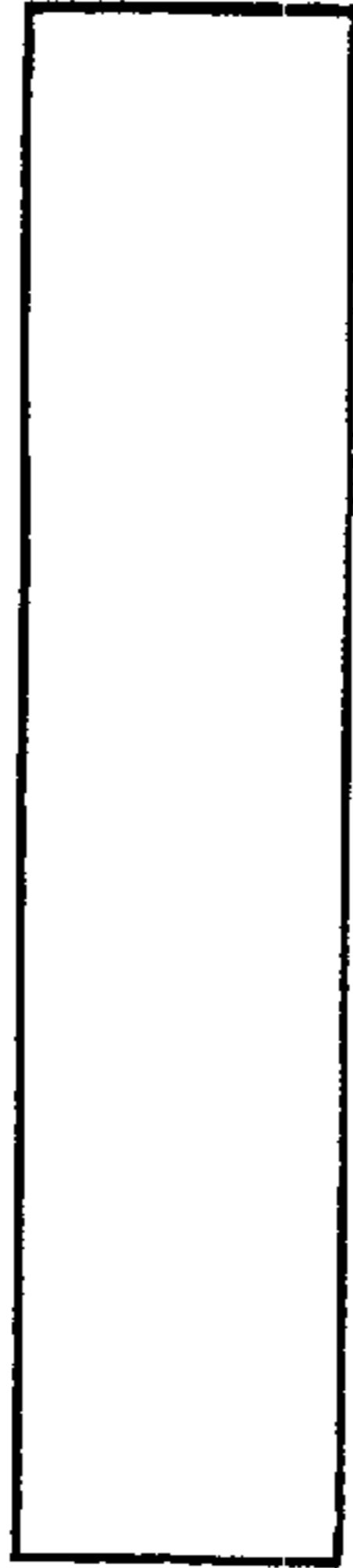


*Fig. 9*

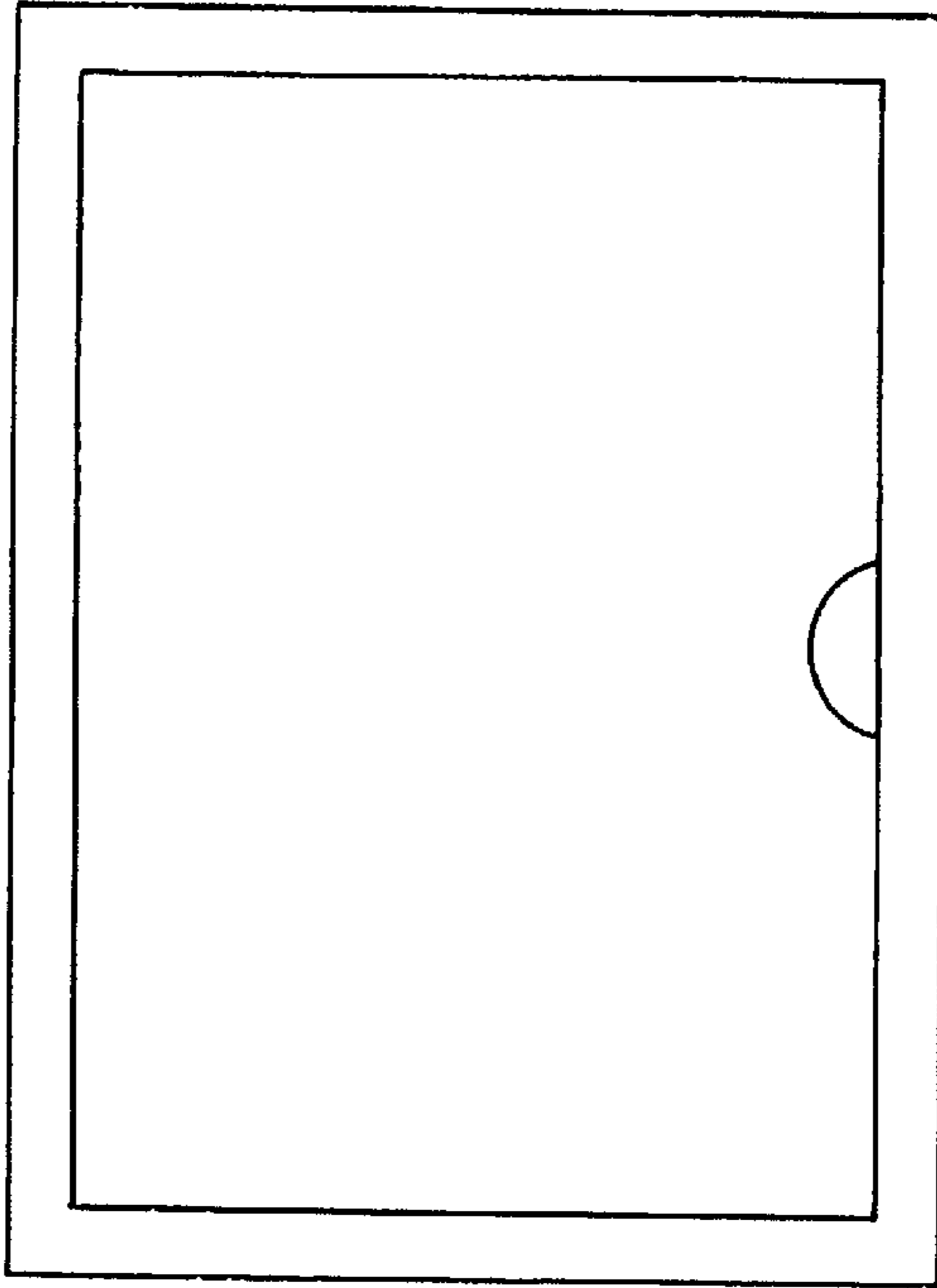


*Fig. 10*

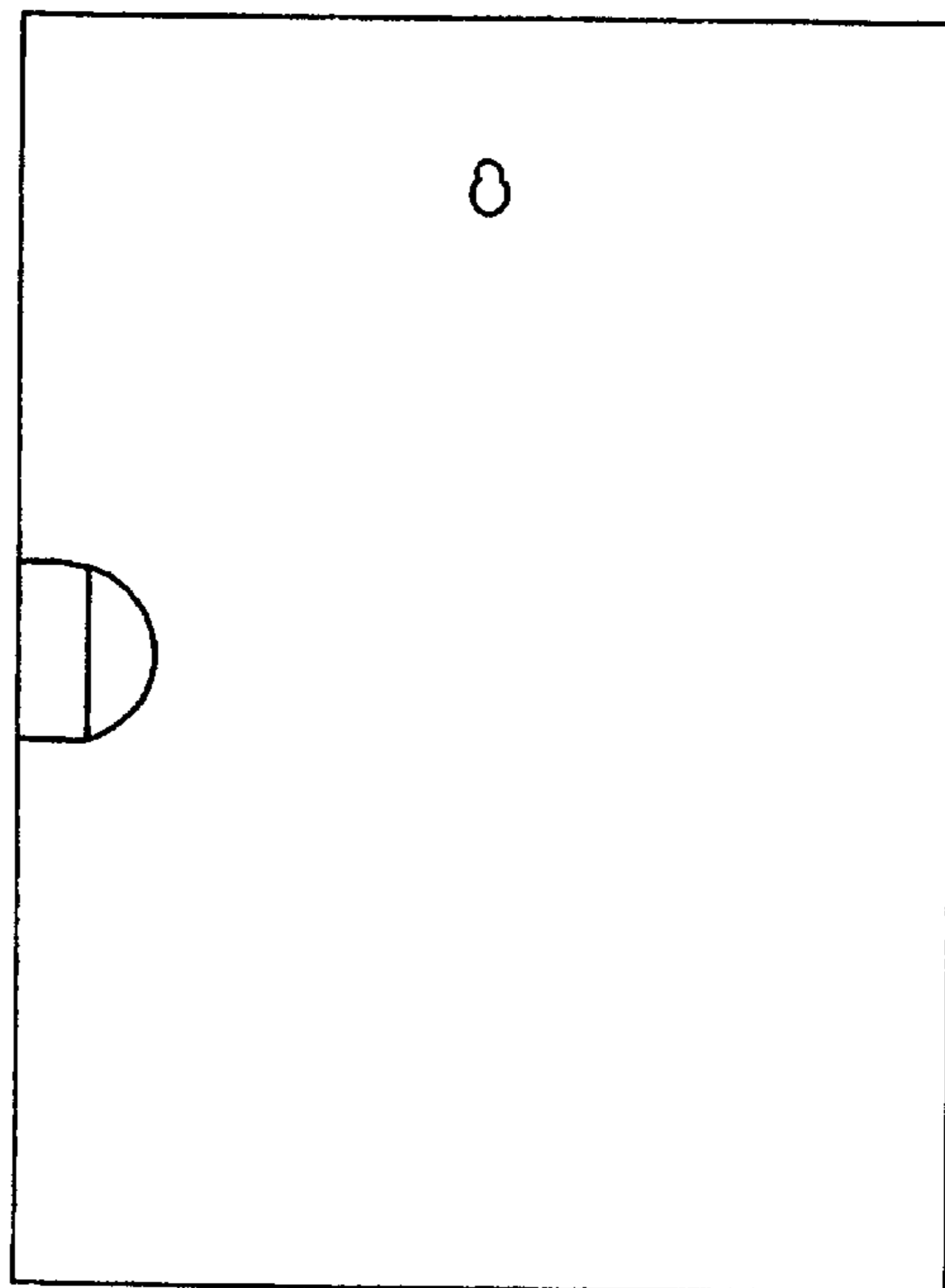
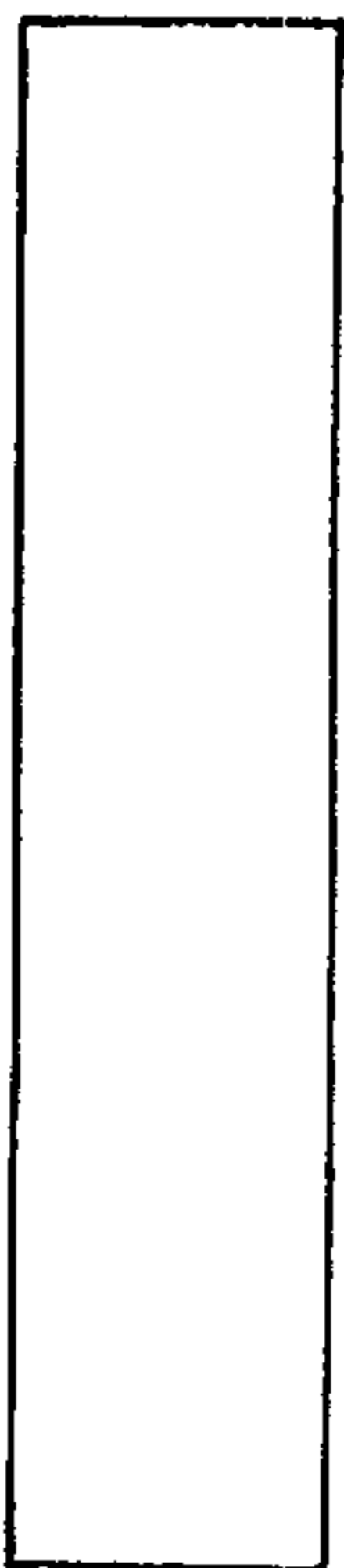
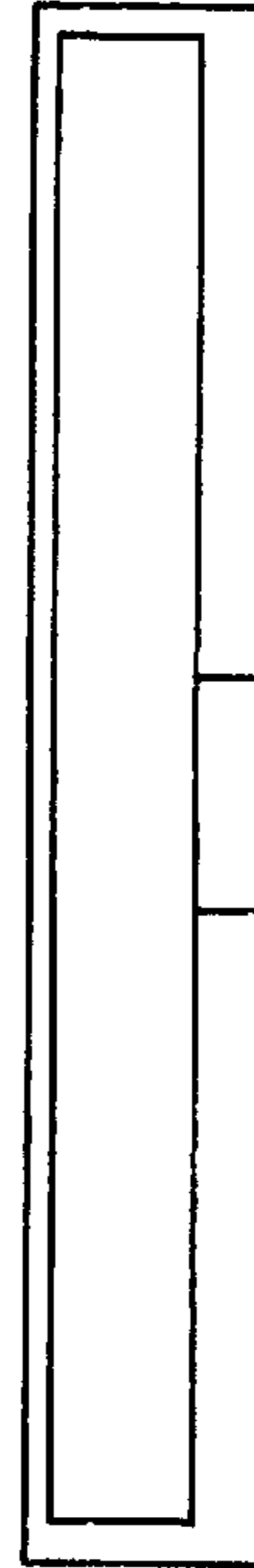
*Fig. 15*



*Fig. 13*



*Fig. 11*



*Fig. 16*

*Fig. 14*

*Fig. 12*