



US00D543363S

(12) **United States Design Patent**
Leung

(10) **Patent No.:** **US D543,363 S**

(45) **Date of Patent:** **** May 29, 2007**

(54) **HAIR BRUSH**

FOREIGN PATENT DOCUMENTS

(75) Inventor: **Anthony Kit Lun Leung**, North Point
(CN)

KR 156333-1 S * 4/1998

* cited by examiner

(73) Assignee: **Conair Corporation**, Stamford, CT
(US)

Primary Examiner—Alan P. Douglas

Assistant Examiner—Lavone D. Tabor

(**) Term: **14 Years**

(74) *Attorney, Agent, or Firm*—Lawrence Cruz; Steven A. Garner

(21) Appl. No.: **29/263,876**

(57) **CLAIM**

(22) Filed: **Jul. 31, 2006**

The ornamental design for a hair brush, as shown.

(51) **LOC (8) Cl.** **04-02**

DESCRIPTION

(52) **U.S. Cl.** **D4/128; D4/136**

FIG. 1 is a perspective view of a hair brush showing my new design;

(58) **Field of Classification Search** D4/128,

D4/132–134, 138; D28/10, 28, 35, 37; 15/27,

15/159.1, 160, 186–188, 191.1, 192, 193;

132/120, 121, 226, 237, 262, 268, 271, 313

See application file for complete search history.

FIG. 2 is a front view thereof;

FIG. 3 is a rear view thereof;

FIG. 4 is a right side view thereof;

FIG. 5 is a left side view thereof;

FIG. 6 is a bottom view thereof; and,

FIG. 7 is a top view.

(56) **References Cited**

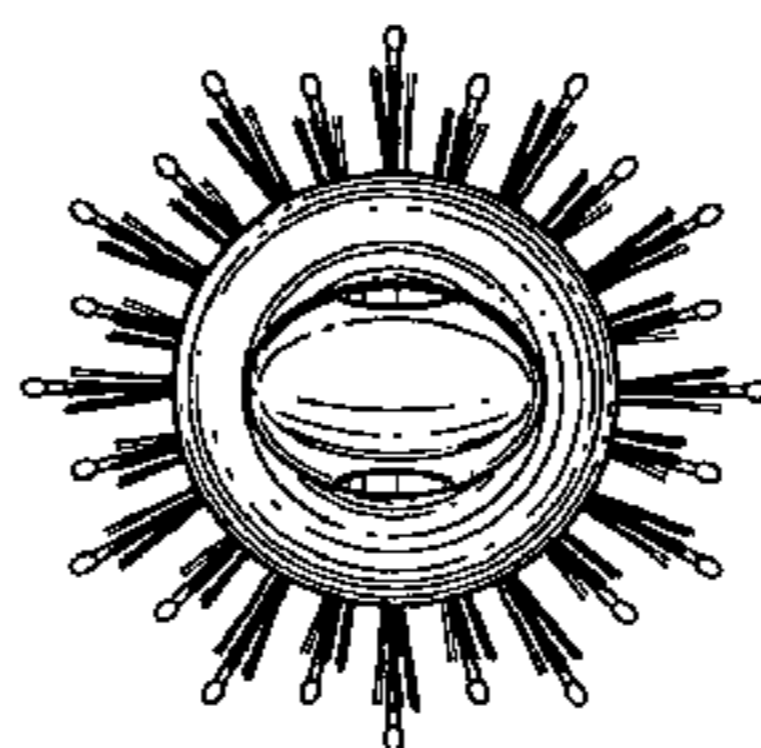
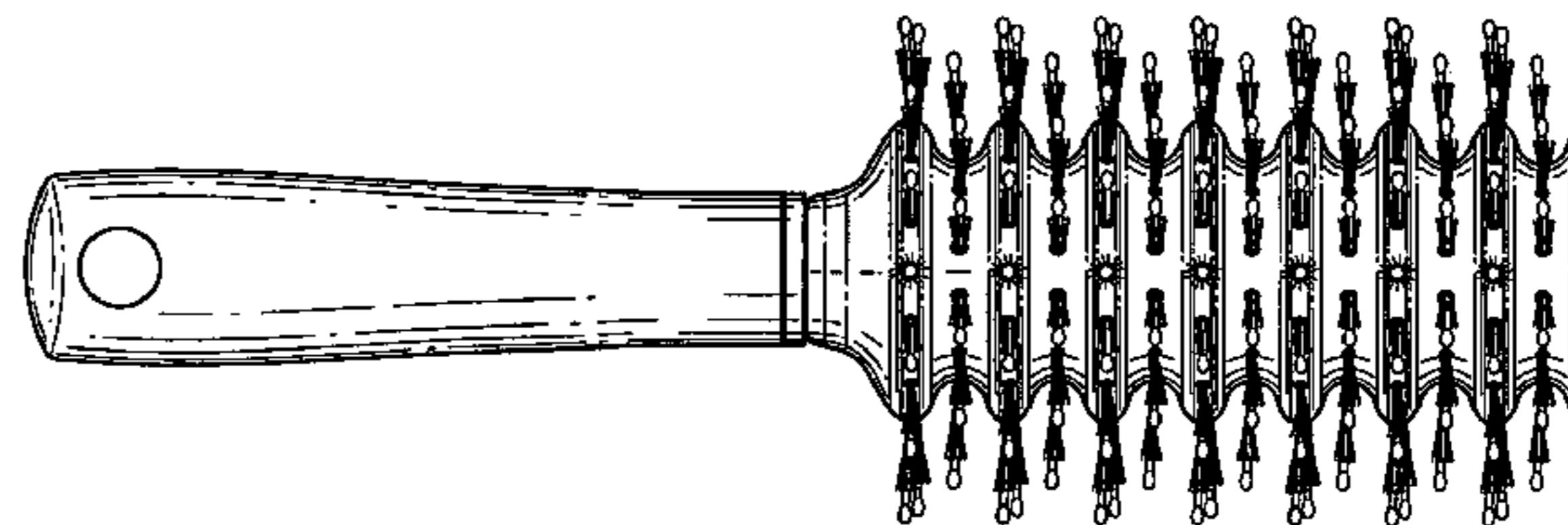
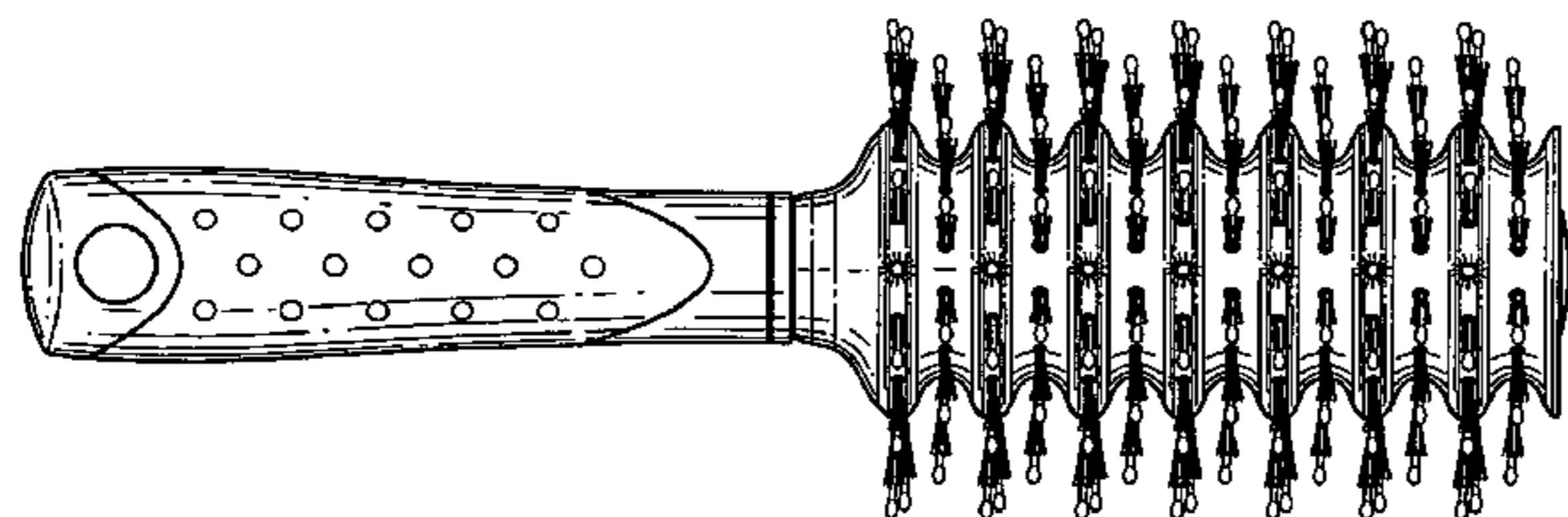
U.S. PATENT DOCUMENTS

D466,309 S * 12/2002 Fong D4/128

D483,572 S * 12/2003 Fong D4/128

D518,644 S * 4/2006 Park D4/128

1 Claim, 3 Drawing Sheets



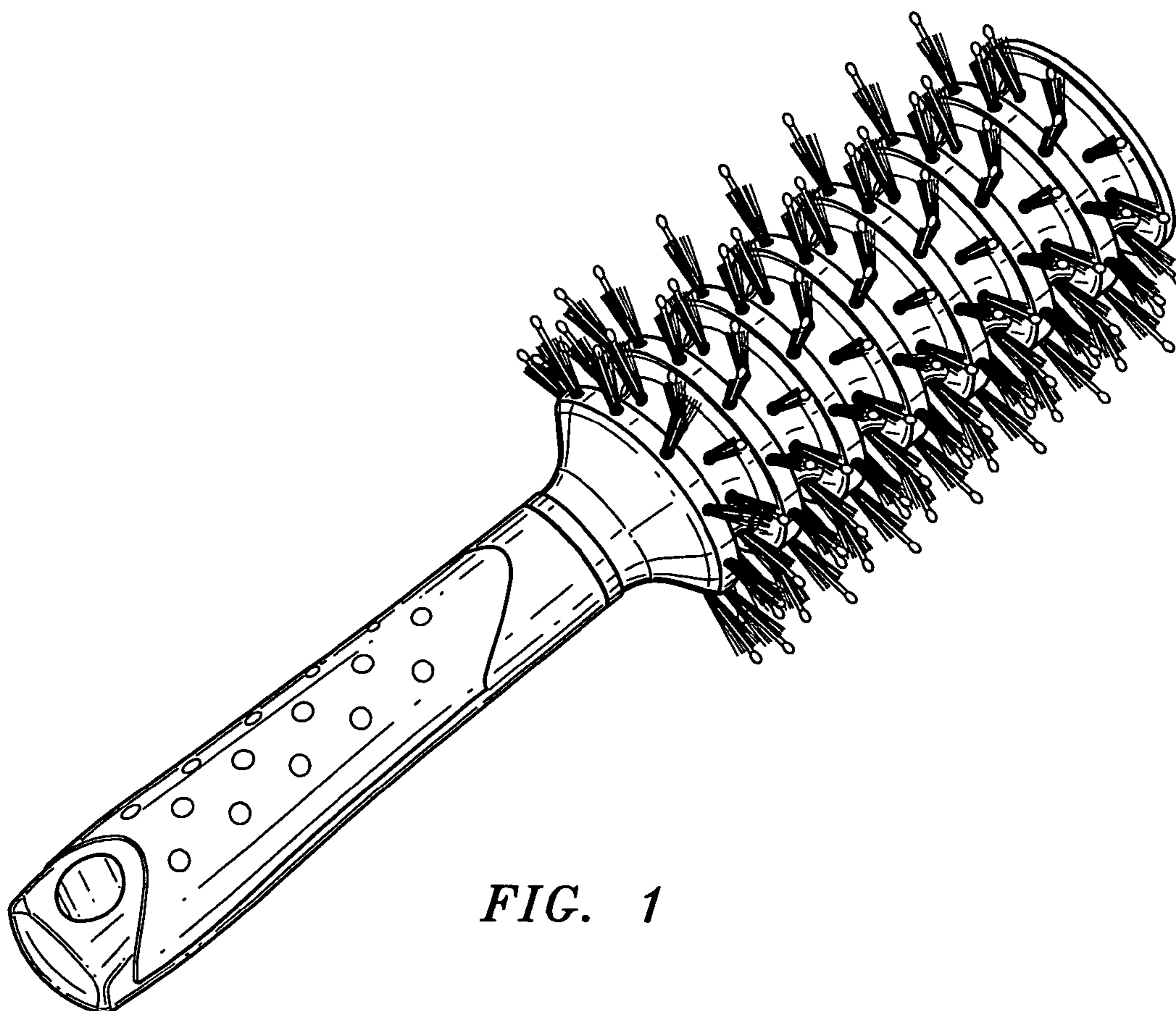


FIG. 1

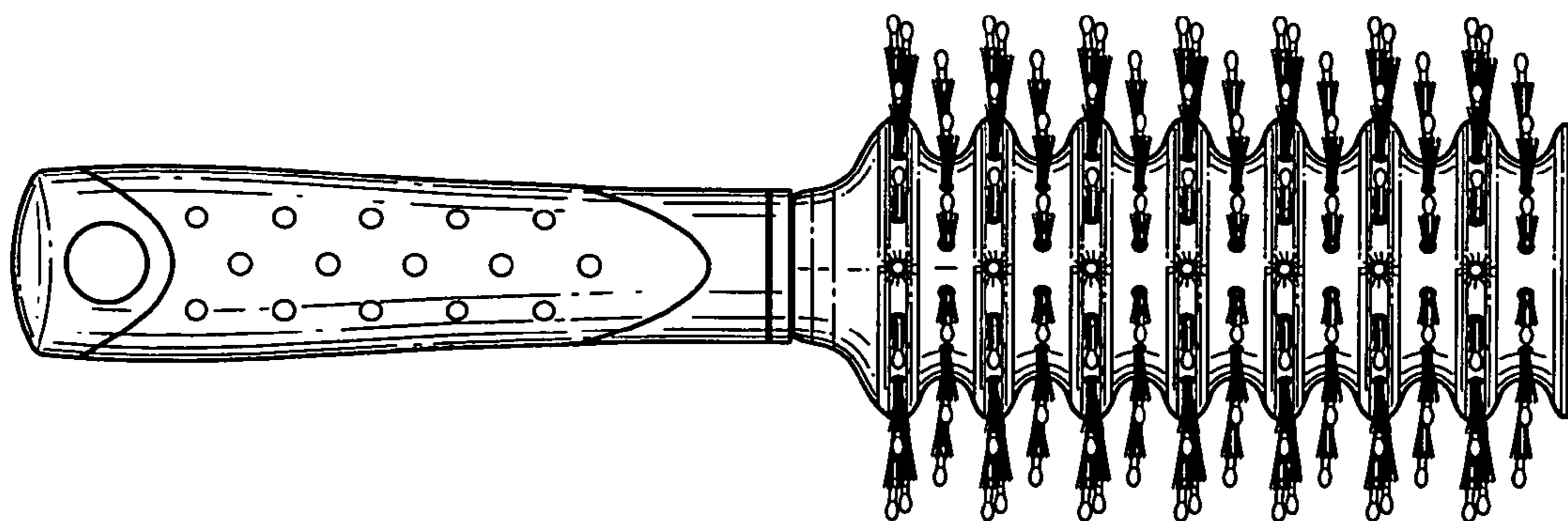


FIG. 2

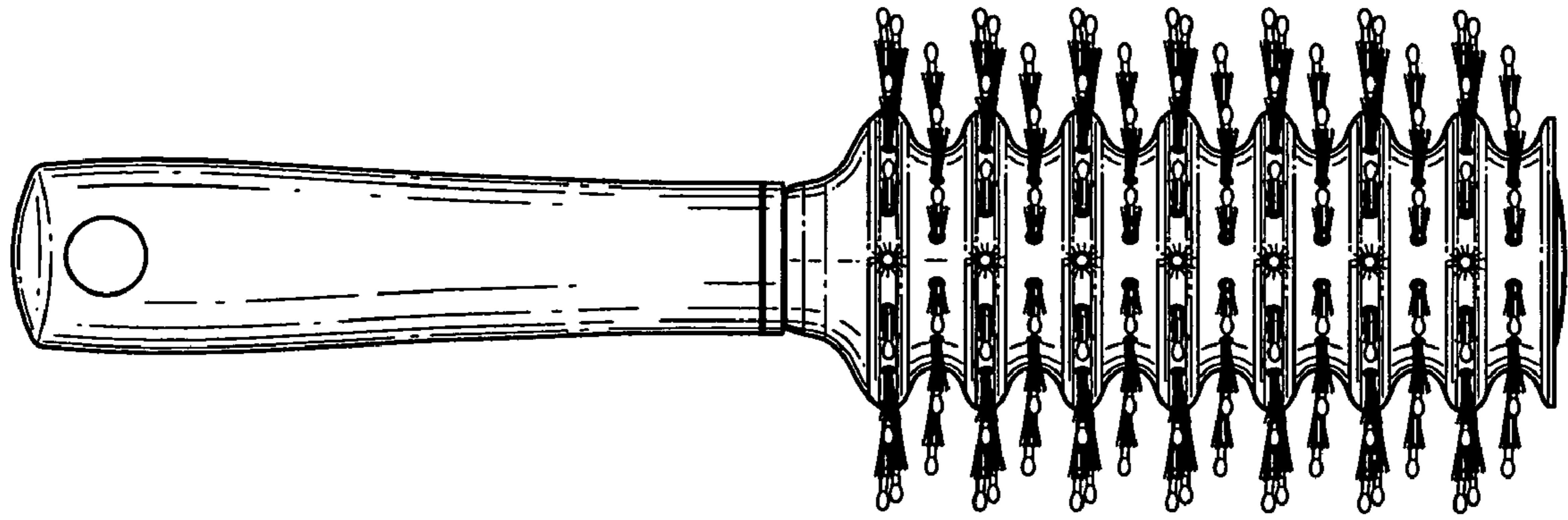


FIG. 3

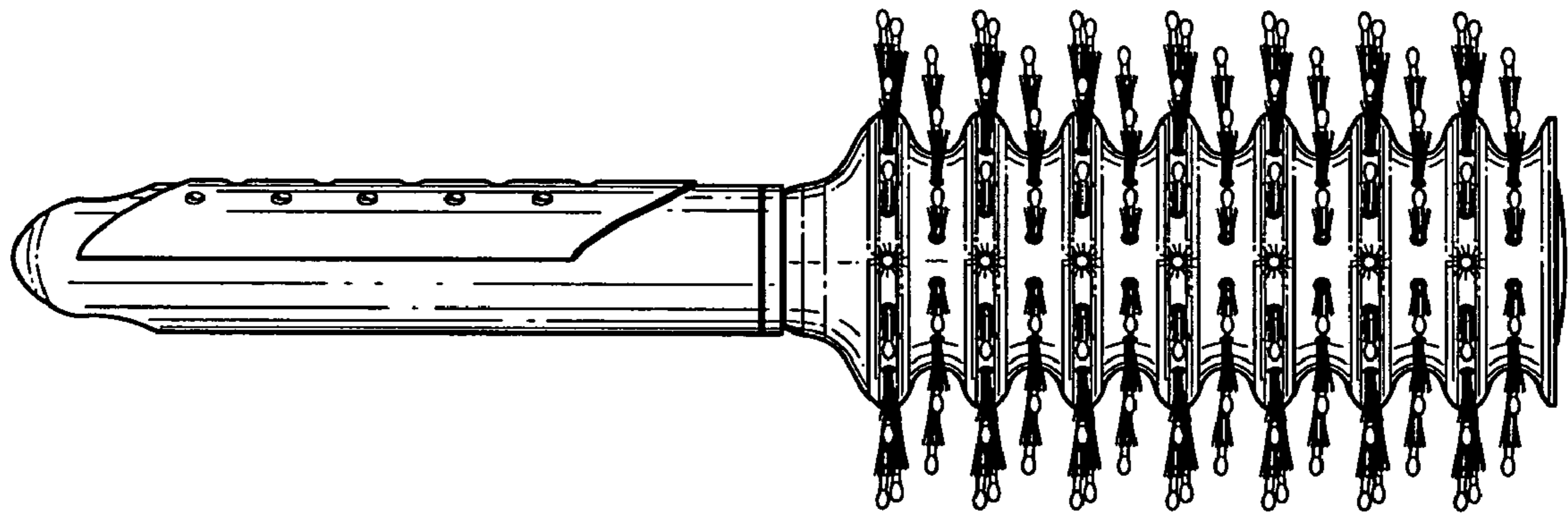


FIG. 4

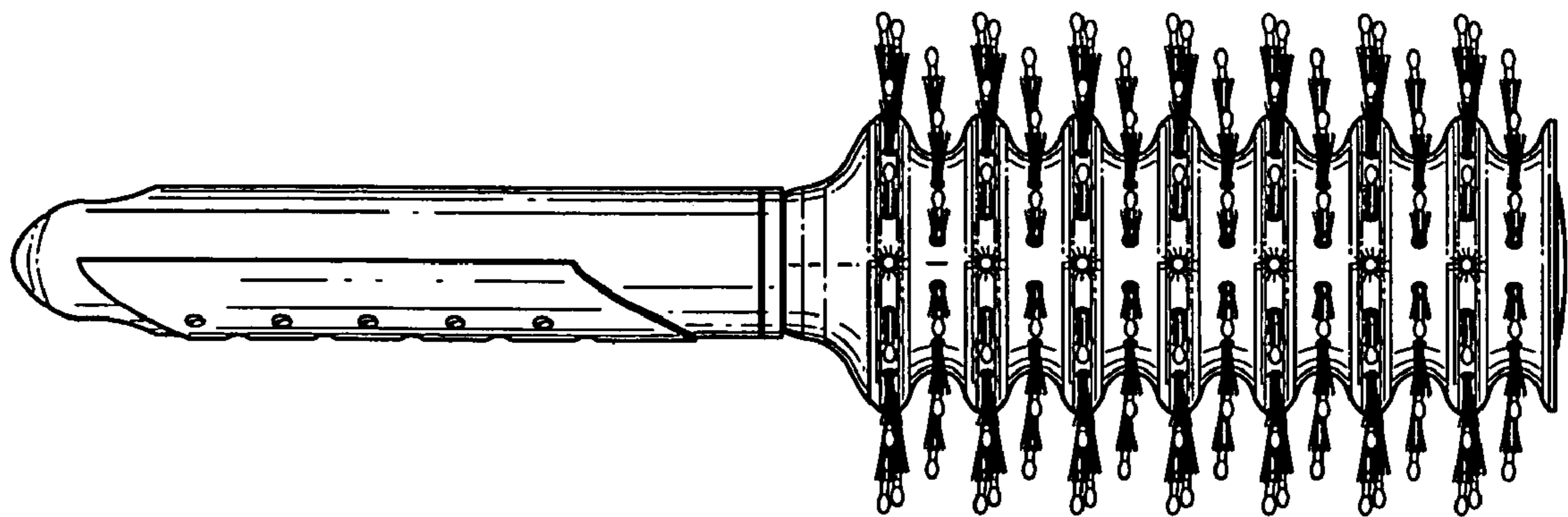


FIG. 5

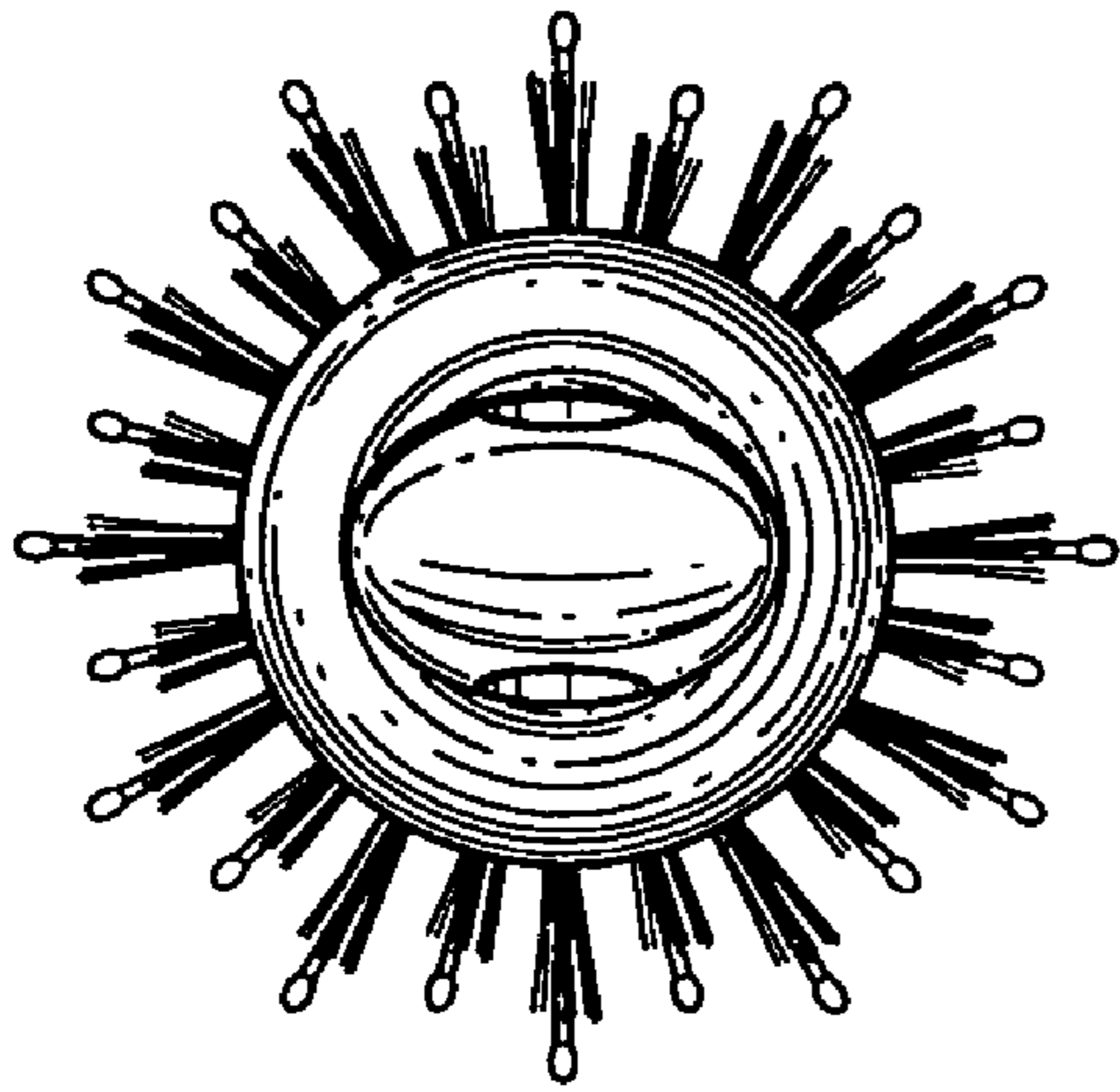


FIG. 6

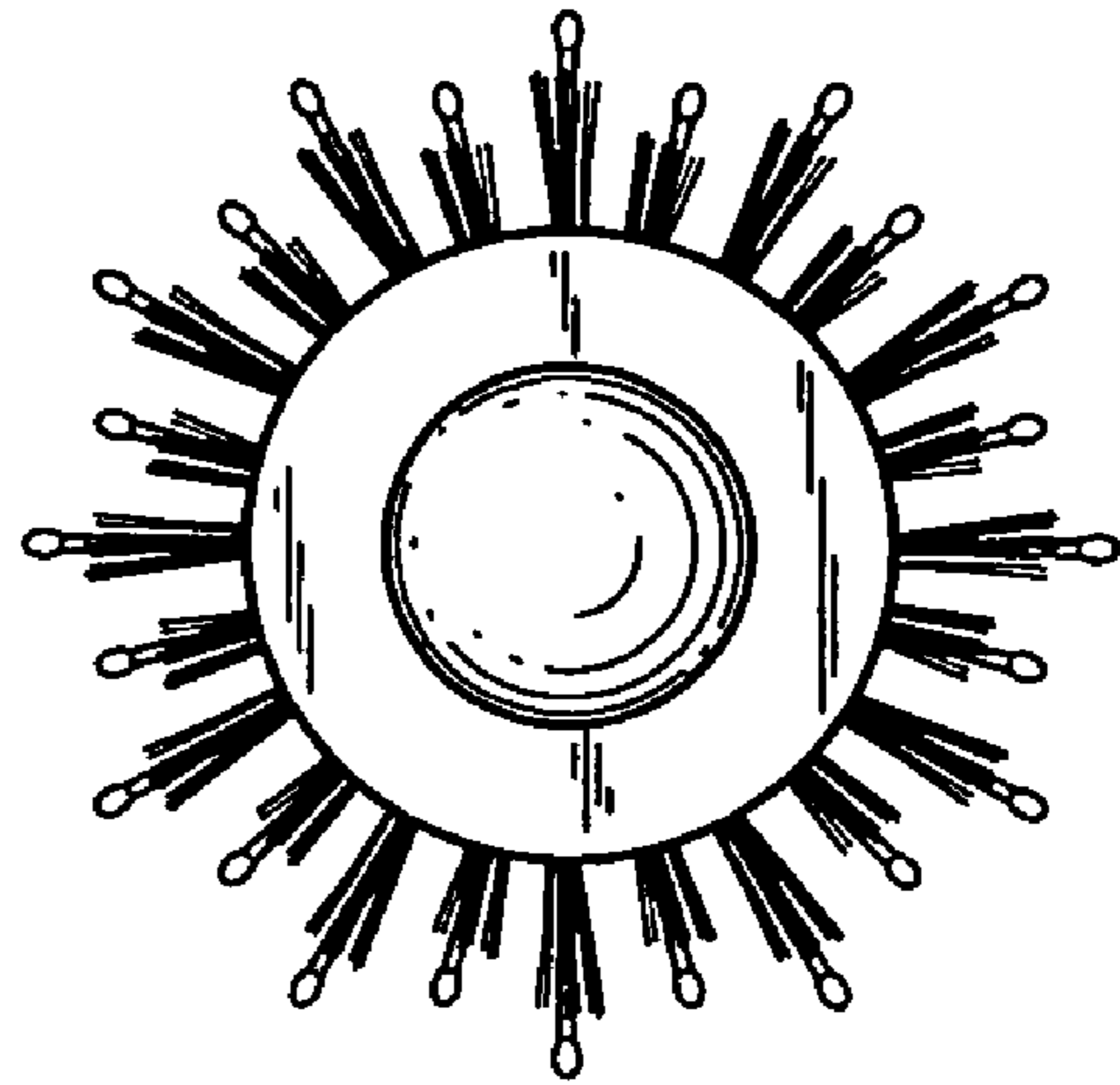


FIG. 7