



US00D543358S

(12) **United States Design Patent**
Vasudeva et al.

(10) **Patent No.:** **US D543,358 S**

(45) **Date of Patent:** **** May 29, 2007**

(54) **DRILL SET CASE**

(75) Inventors: **Kailash Vasudeva**, Waterloo (CA);
Satnam Singh, Kitchener (CA)

(73) Assignee: **Maxtech Manufacturing Inc.**,
Waterloo, Ontario (CA)

(**) Term: **14 Years**

(21) Appl. No.: **29/262,958**

(22) Filed: **Jul. 14, 2006**

Related U.S. Application Data

(62) Division of application No. 29/221,676, filed on Jan. 21,
2005.

(30) **Foreign Application Priority Data**

Aug. 13, 2004 (CA) CA 108033

(51) **LOC (8) Cl.** **03-01**

(52) **U.S. Cl.** **D3/282; D3/905**

(58) **Field of Classification Search** D3/273-274,
D3/276, 282-283, 294-297, 901, 904-905;
206/349, 372-373, 376, 379; 312/902
See application file for complete search history.

(56) **References Cited**

U.S. PATENT DOCUMENTS

D305,809 S * 1/1990 Weber et al. D28/76

D478,725 S	*	8/2003	Vasudeva et al.	D3/282
D495,488 S	*	9/2004	Singh	D3/282
D499,549 S	*	12/2004	Rosler	D3/282
D508,773 S	*	8/2005	Singh	D3/282
D509,958 S	*	9/2005	Singh	D3/282
D512,221 S	*	12/2005	Allan et al.	D3/282
D513,873 S	*	1/2006	Bochno et al.	D3/294
D514,316 S	*	2/2006	Allan et al.	D3/282
D517,317 S	*	3/2006	Singh	D3/282
D524,048 S	*	7/2006	Singh et al.	D3/282

* cited by examiner

Primary Examiner—Philip S. Hyder

Assistant Examiner—RoseLynne (Ulm) Cody

(74) *Attorney, Agent, or Firm*—Jeffrey W. Wong; Borden
Ladner Gervais LLP

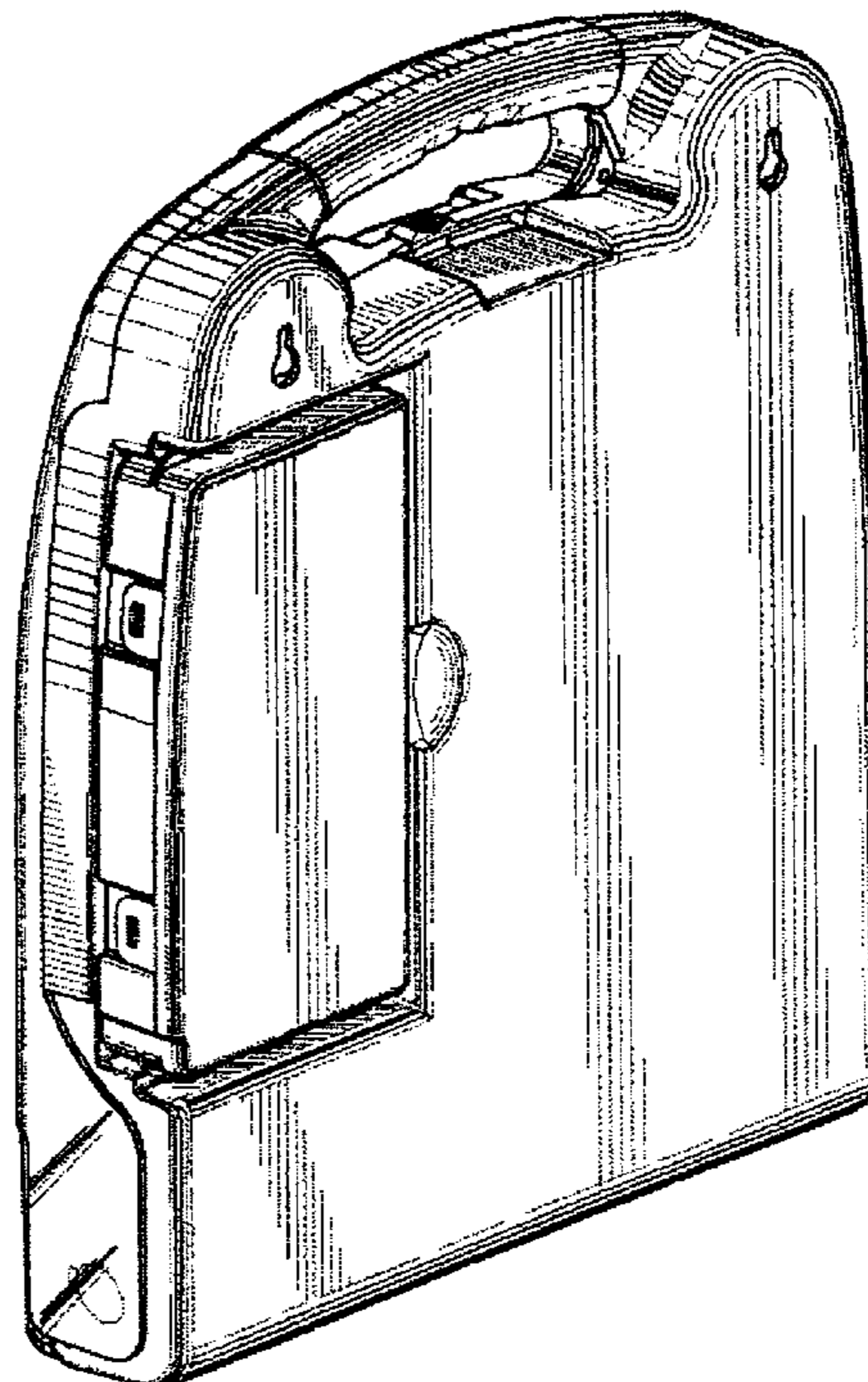
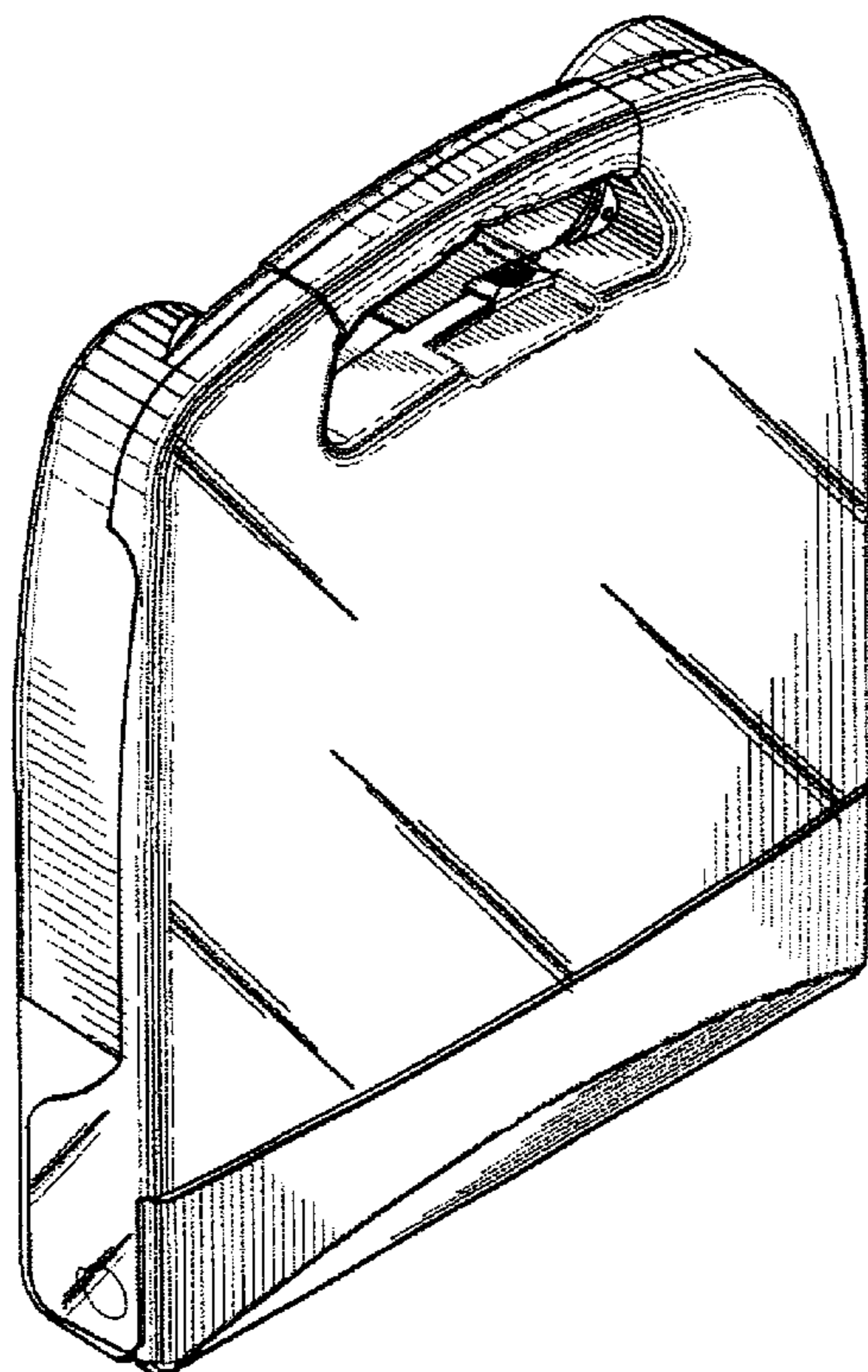
(57) **CLAIM**

We claim the ornamental design for a drill set case, as shown
and described.

DESCRIPTION

FIG. 1 is a front perspective of a drill set case.
FIG. 2 is a rear perspective of the drill set case.
FIG. 3 is a top view.
FIG. 4 is a right hand side view.
FIG. 5 is a front view.
FIG. 6 is a left hand side view.
FIG. 7 is a rear view; and,
FIG. 8 is a bottom view.

1 Claim, 3 Drawing Sheets



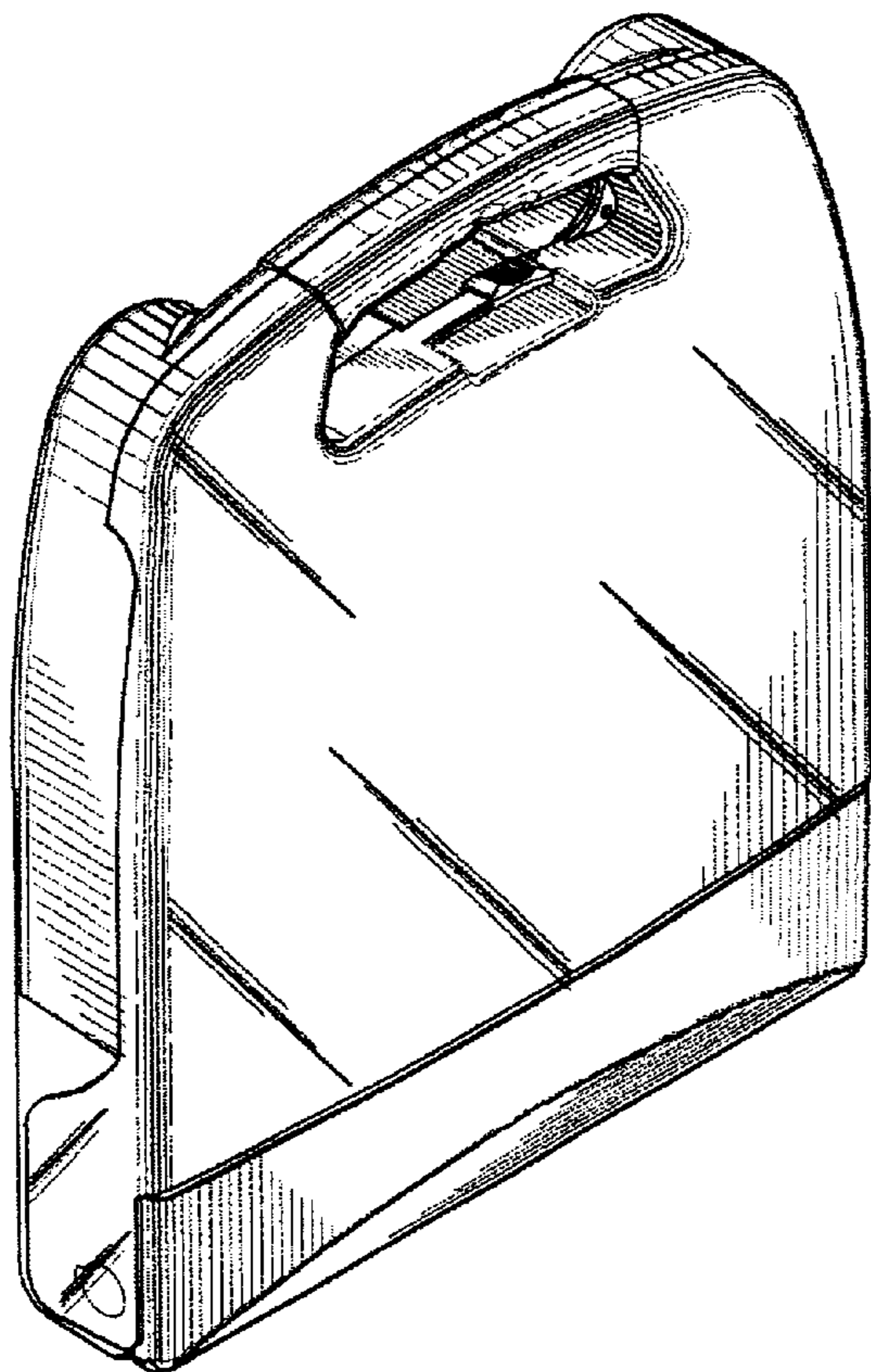


FIG. 1

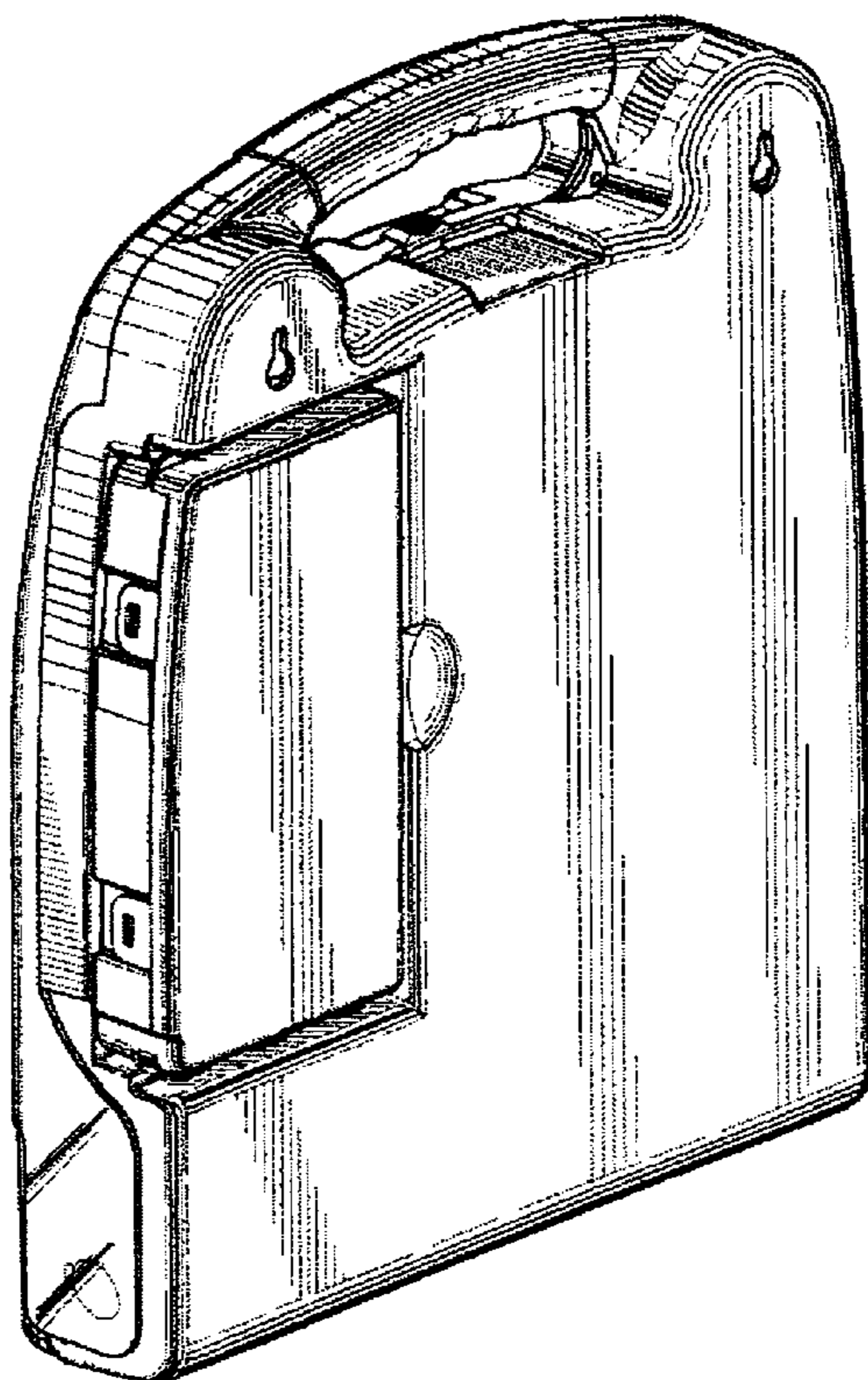


FIG. 2

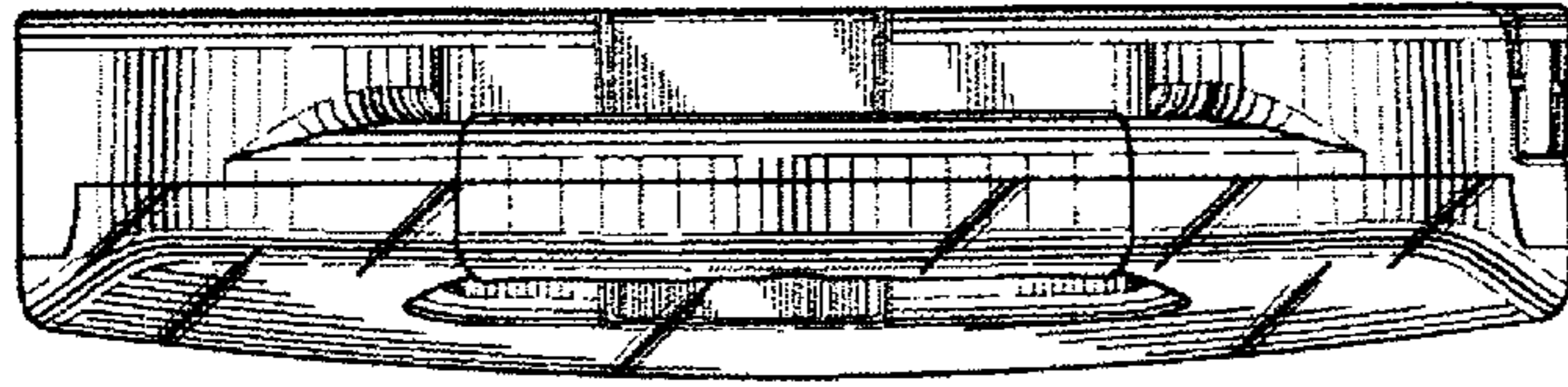


FIG. 3

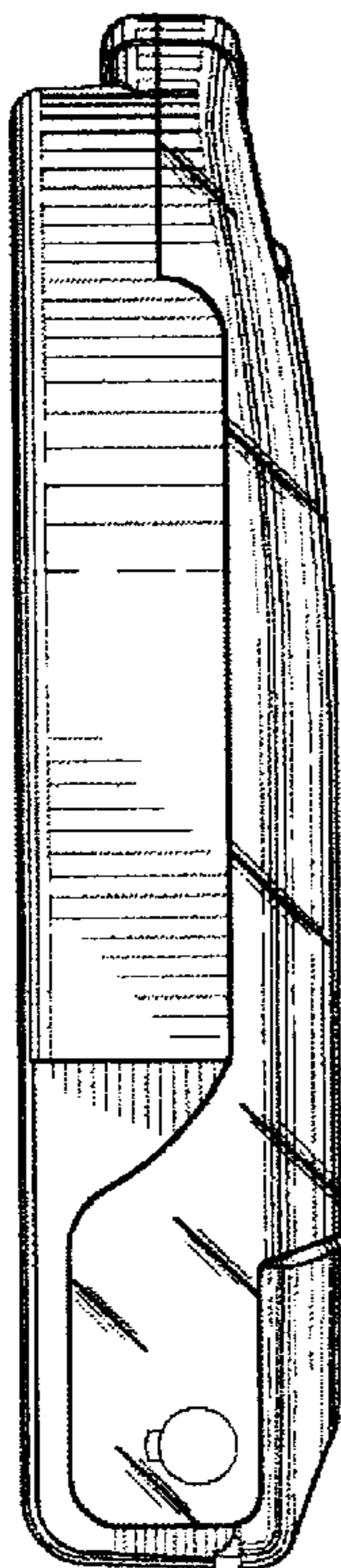


FIG. 4

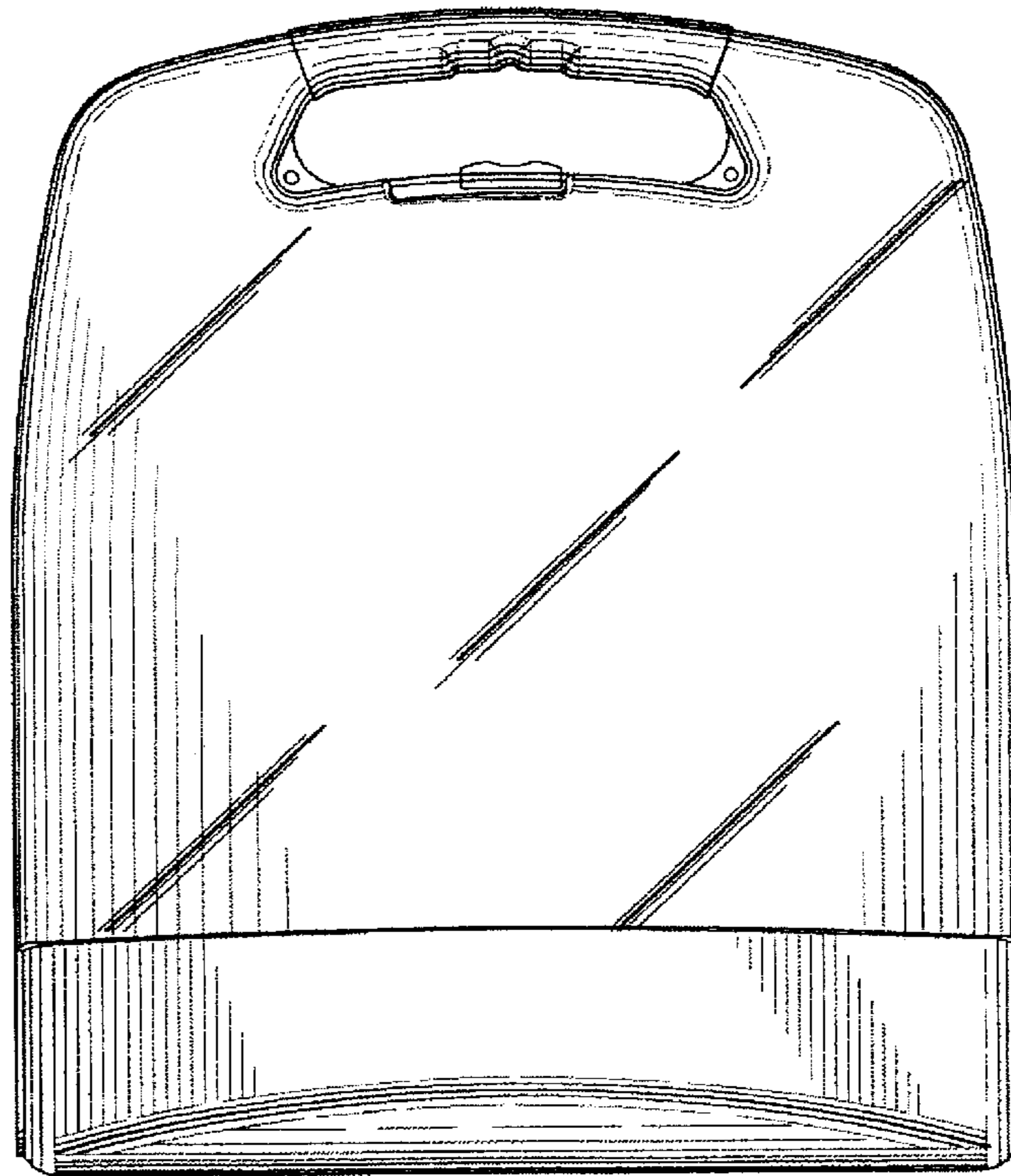


FIG. 5

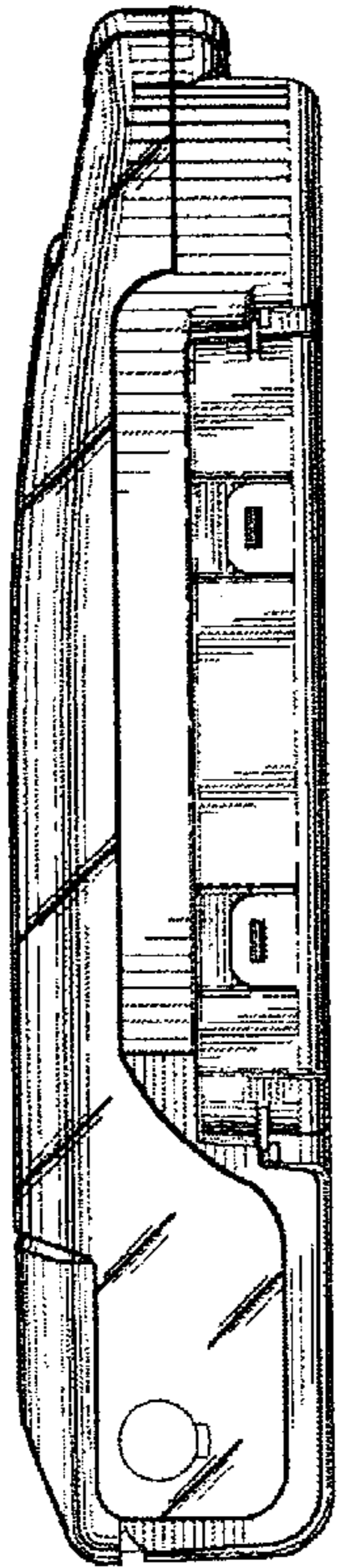


FIG. 6

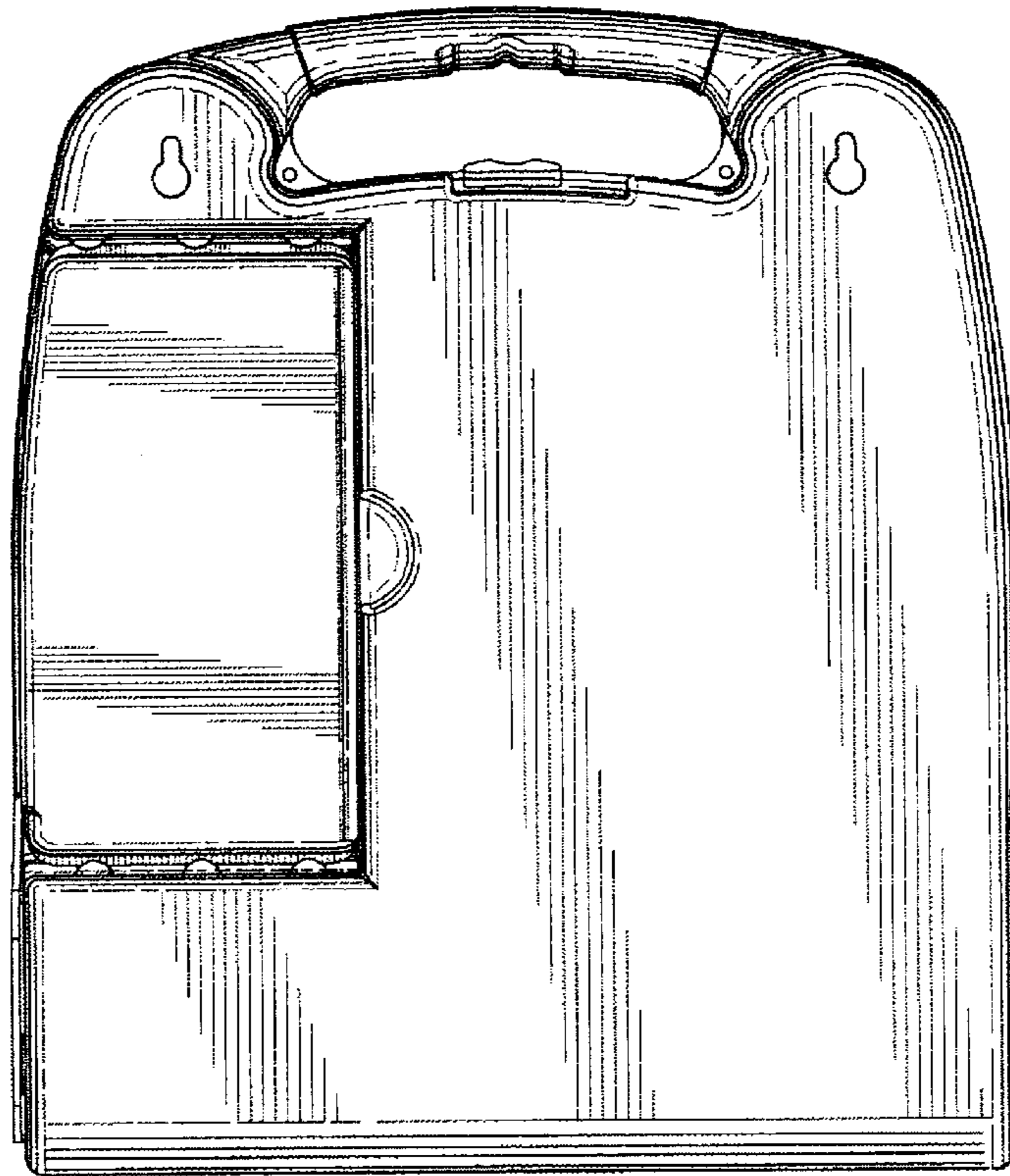


FIG. 7

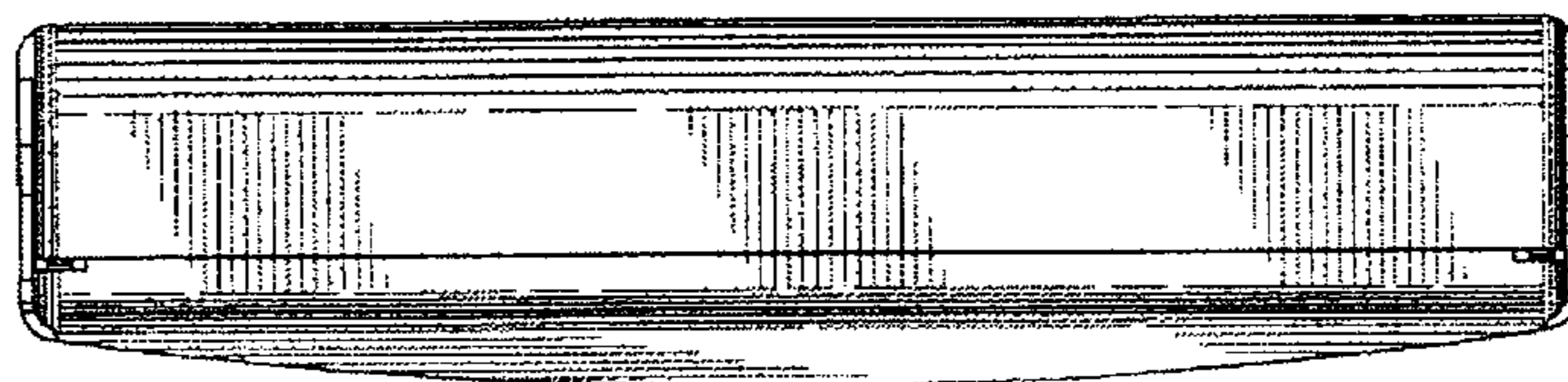


FIG. 8