

US00D543356S

(12) **United States Design Patent**
Gonzalez

(10) **Patent No.:** **US D543,356 S**

(45) **Date of Patent:** **** May 29, 2007**

(54) **WALLET**

(75) Inventor: **Alvaro Gonzalez**, Florence (IT)

(73) Assignee: **J. Choo (Jersey) Limited**, St. Helier, Jersey (GB)

(**) Term: **14 Years**

(21) Appl. No.: **29/254,423**

(22) Filed: **Feb. 22, 2006**

Related U.S. Application Data

(62) Division of application No. 29/221,717, filed on Jan. 18, 2005, now Pat. No. Des. 524,538.

(30) **Foreign Application Priority Data**

Sep. 28, 2004 (EM) 234901-010

(51) **LOC (8) Cl.** **03-01**

(52) **U.S. Cl.** **D3/247**

(58) **Field of Classification Search** D3/232-253,
D3/303, 305, 318, 322, 324; 150/100, 107,
150/108, 110, 109, 118, 130, 900, 190, 121;
383/907

See application file for complete search history.

(56) **References Cited**

U.S. PATENT DOCUMENTS

- 847,295 A * 3/1907 Randall 150/118
- D164,621 S * 9/1951 Bienen D3/233
- D324,771 S * 3/1992 Dixsaut D3/243
- D332,006 S * 12/1992 Ross D3/243
- 5,503,204 A * 4/1996 Byers et al. 150/105

- D418,976 S * 1/2000 du Sartel D3/243
- D485,680 S * 1/2004 Hasenfrantz D3/265
- D492,482 S * 7/2004 Hanley D3/243
- D497,248 S * 10/2004 Anderson et al. D3/238
- D498,360 S * 11/2004 de Baschmakoff D3/243
- D501,998 S * 2/2005 Gonzalez D3/326
- D507,403 S * 7/2005 Hanley D3/243
- D507,873 S * 8/2005 Hanley D3/243

* cited by examiner

Primary Examiner—Ian Simmons

Assistant Examiner—Melanie Levy

(74) *Attorney, Agent, or Firm*—Fross Zelnick Lehrman & Zissu, P.C.; Lawrence E. Apolzon, Esq.

(57) **CLAIM**

The ornamental design for a wallet, as shown and described.

DESCRIPTION

FIG. 1 is a front perspective view of a wallet showing my wallet design;

FIG. 2 is a front view of the wallet shown in FIG. 1;

FIG. 3 is a rear view of the wallet shown in FIG. 1;

FIG. 4 is a left side view of the wallet shown in FIG. 1;

FIG. 5 is a right side view of the wallet shown in FIG. 1;

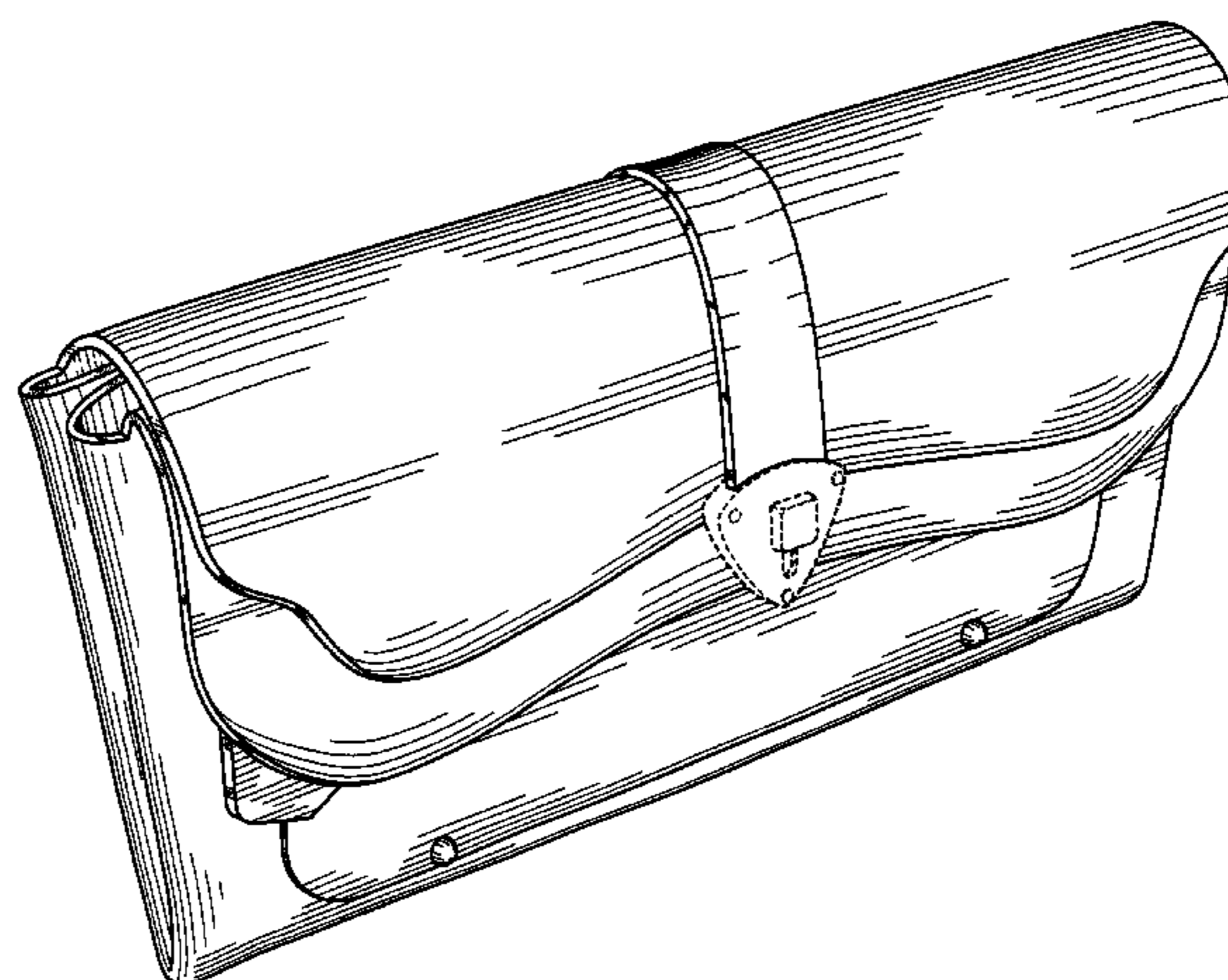
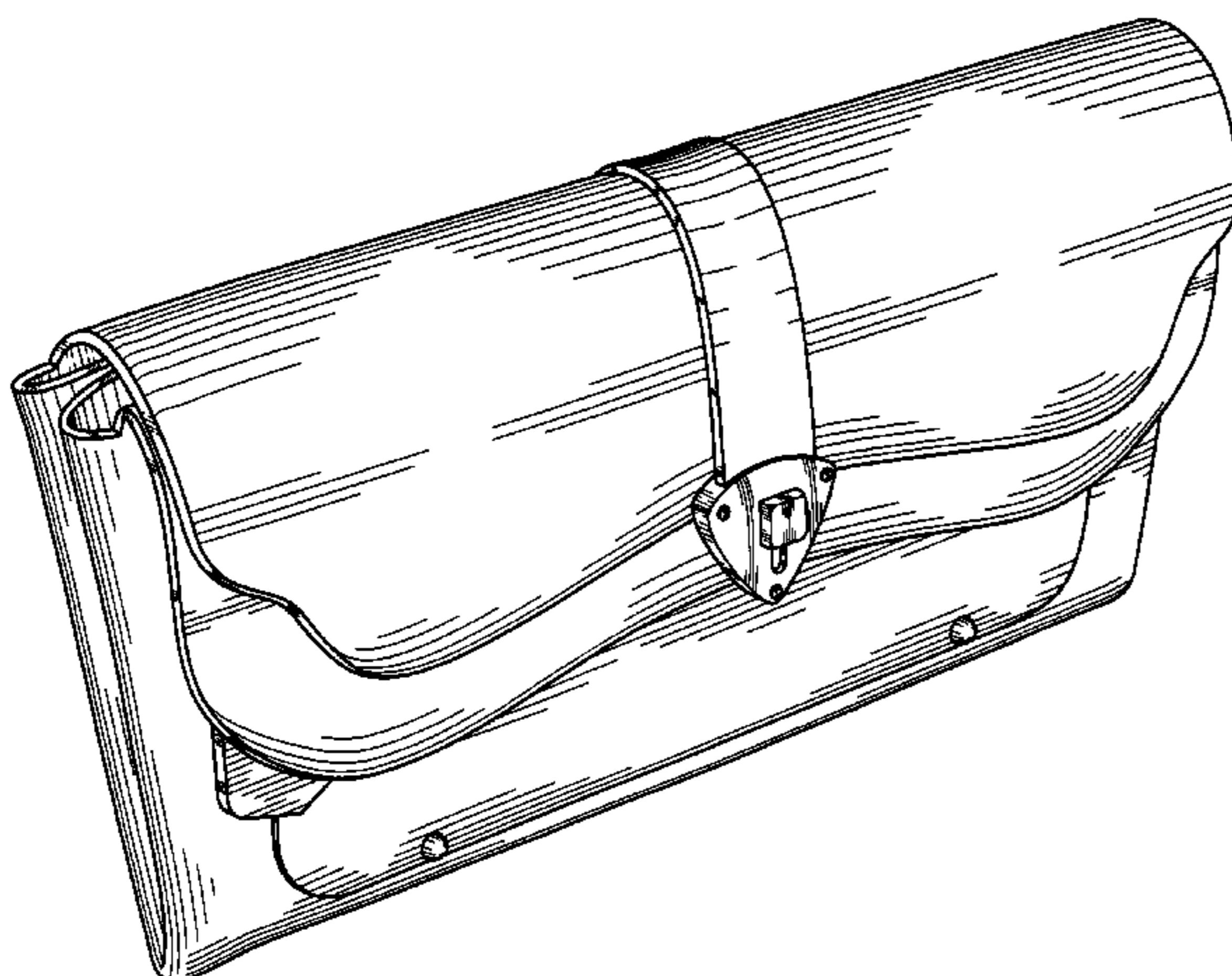
FIG. 6 is a top view of the wallet shown in FIG. 1;

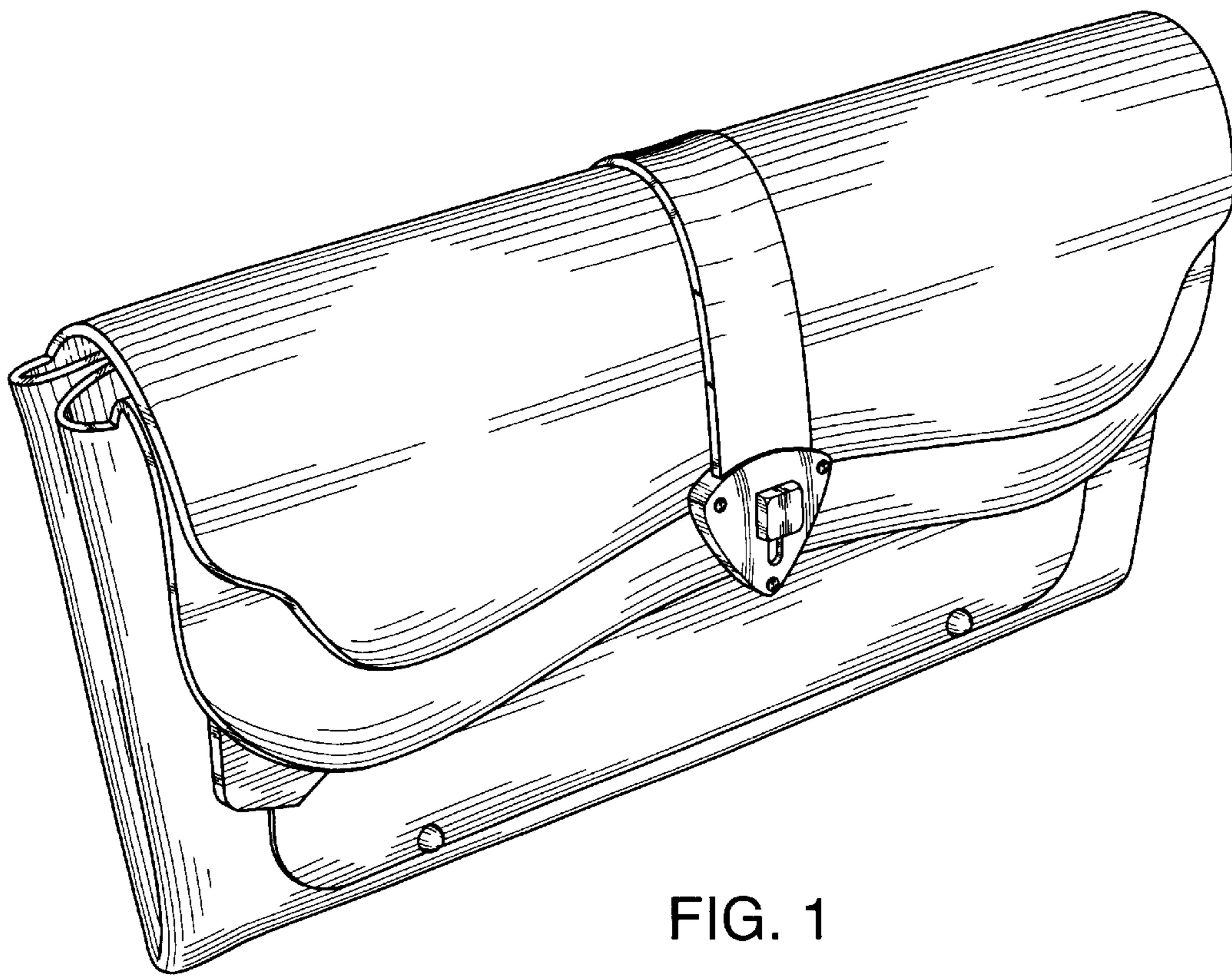
FIG. 7 is a bottom view of the wallet shown in FIG. 1; and,

FIG. 8 is a front perspective view of a second embodiment, with all other views being identical that shown in FIGS. 2-7 with the only difference being the snap jewel closure being reduced to broken line disclosure.

The broken line showing of the snap jewel closure piece is for illustrative purposes only and forms no part of the claimed design.

1 Claim, 6 Drawing Sheets





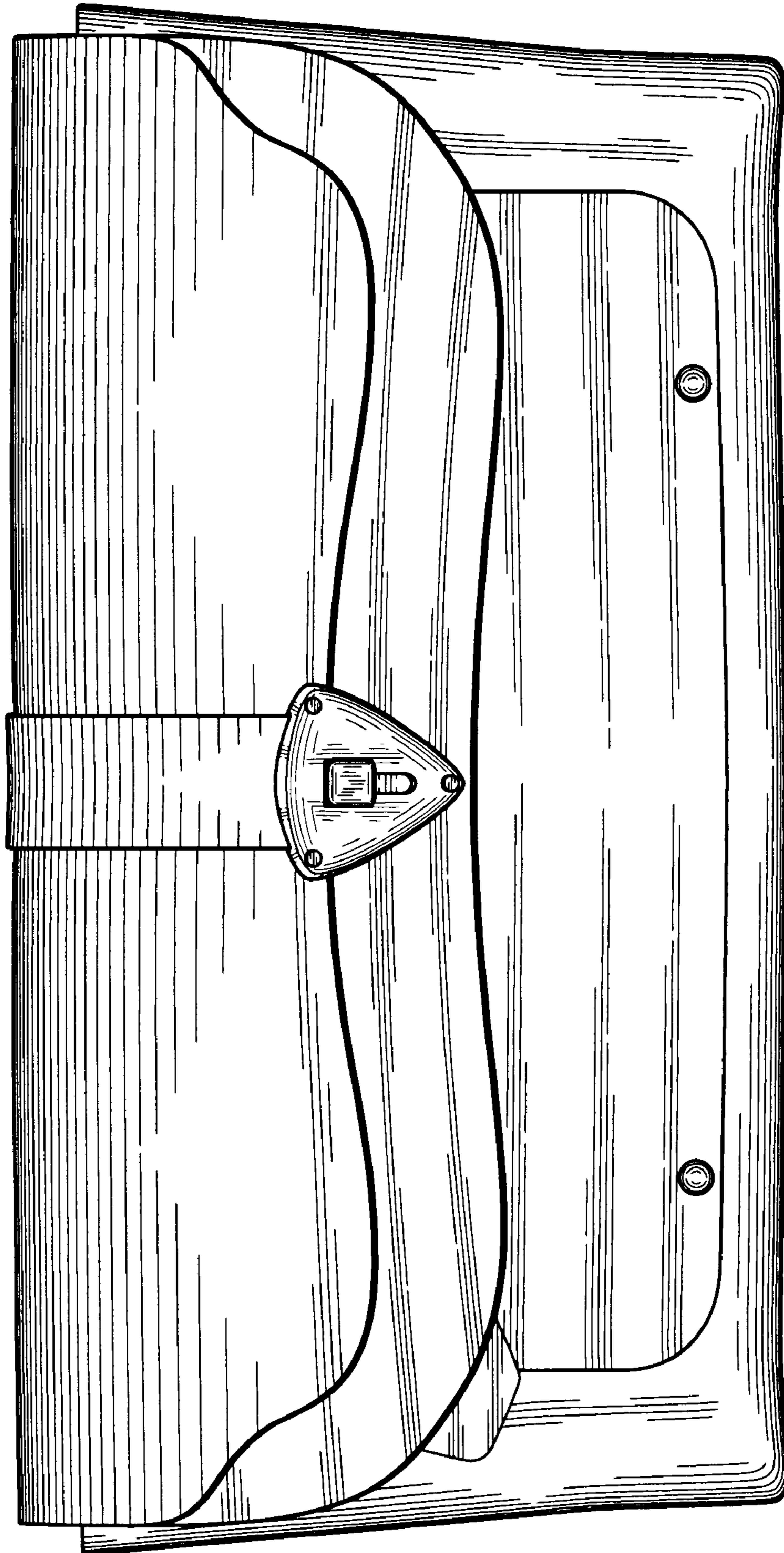


FIG. 2

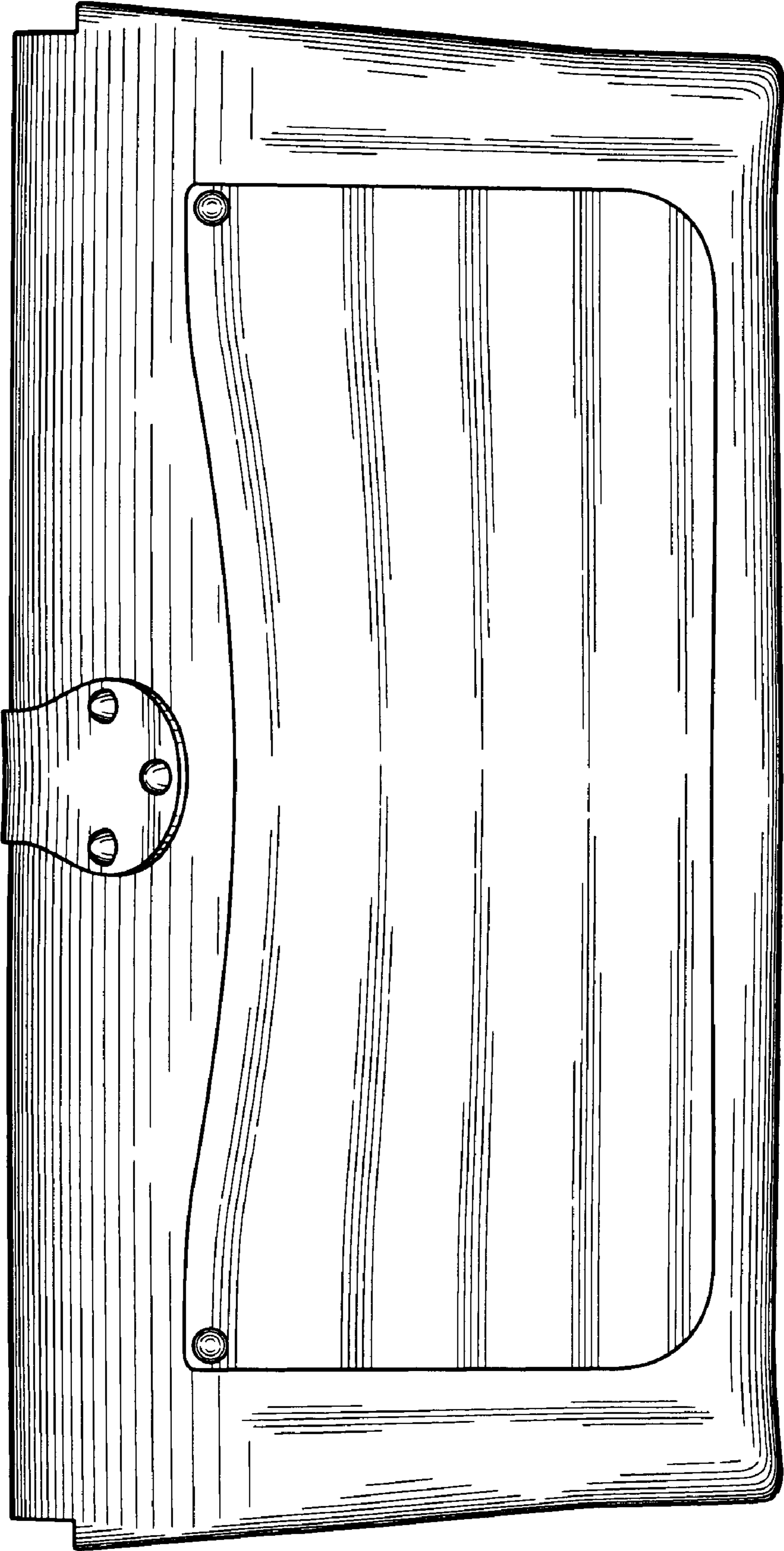


FIG. 3

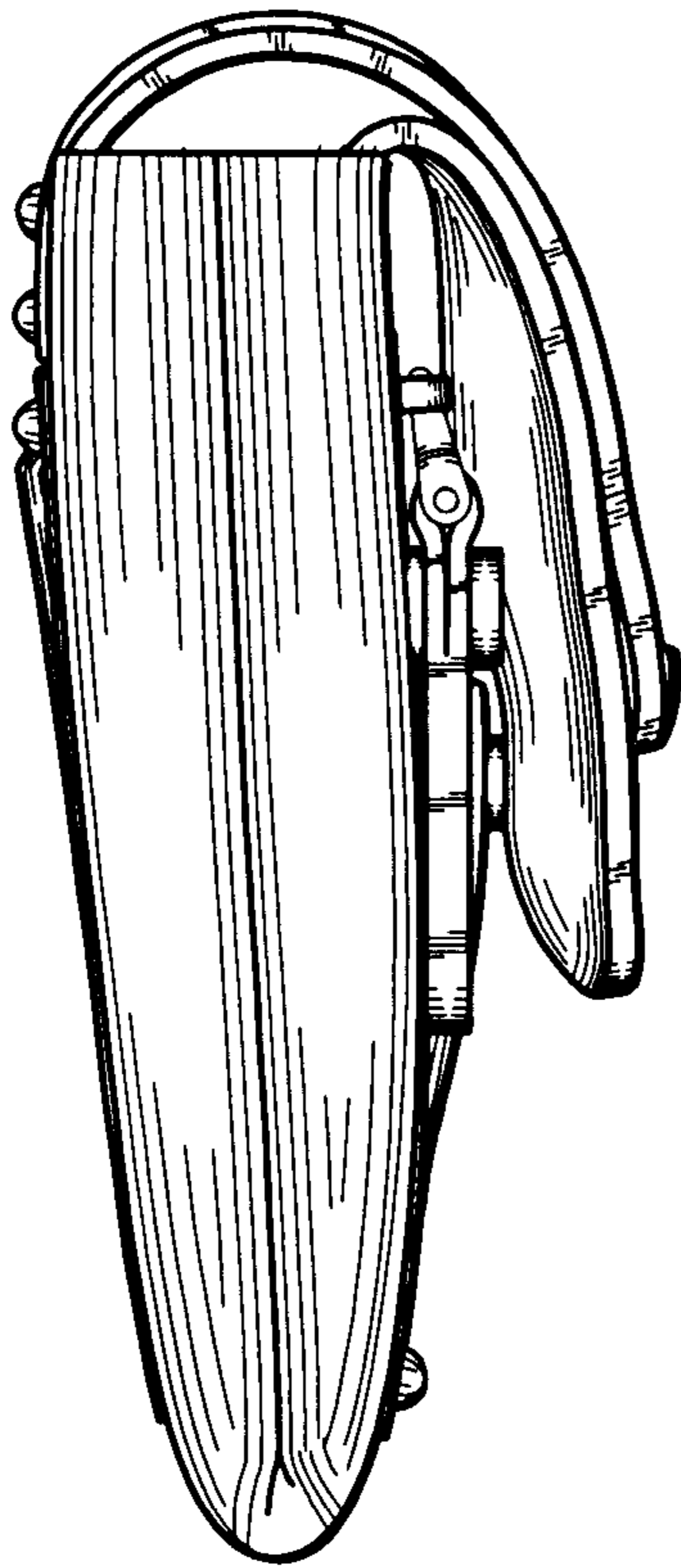


FIG. 4

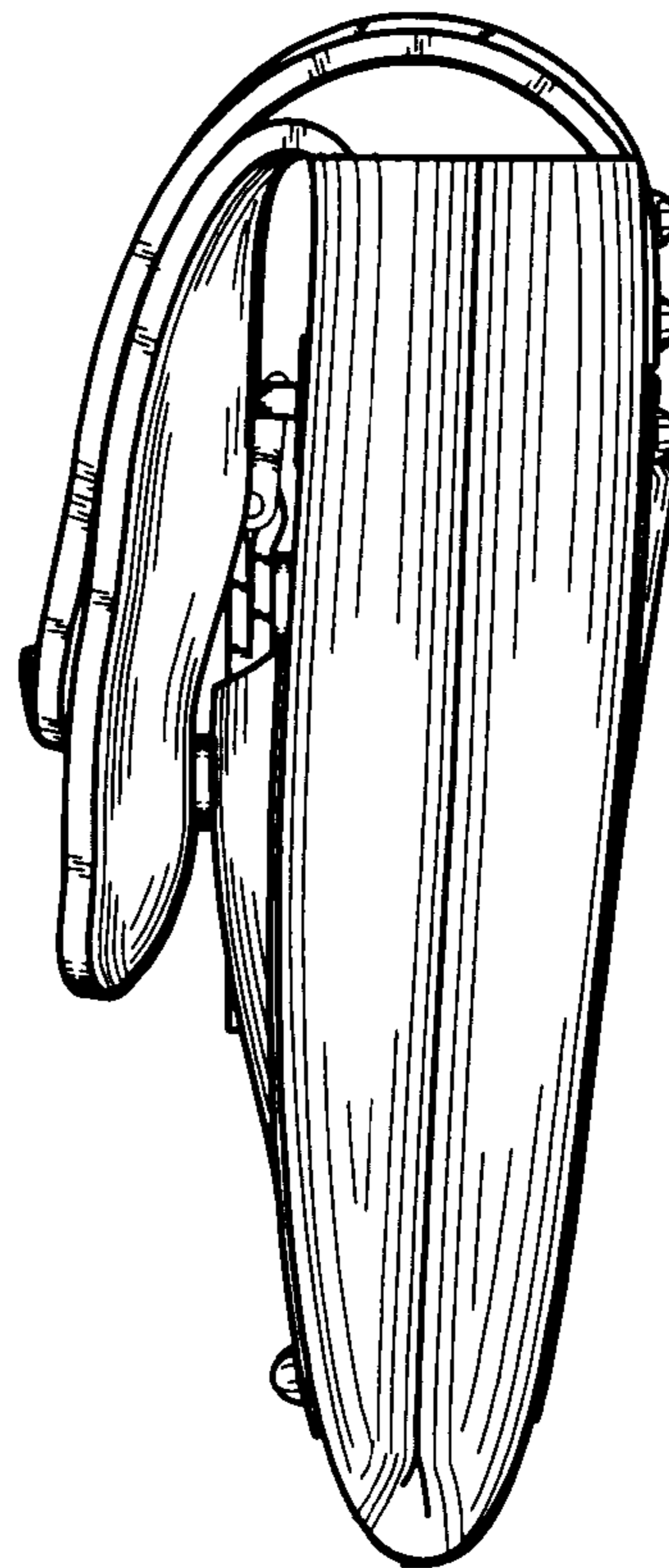


FIG. 5

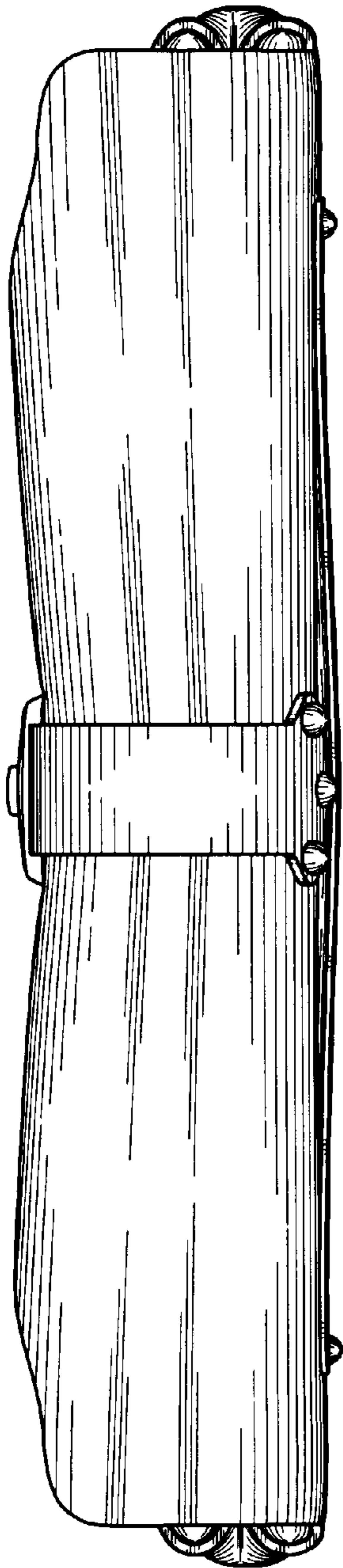


FIG. 6

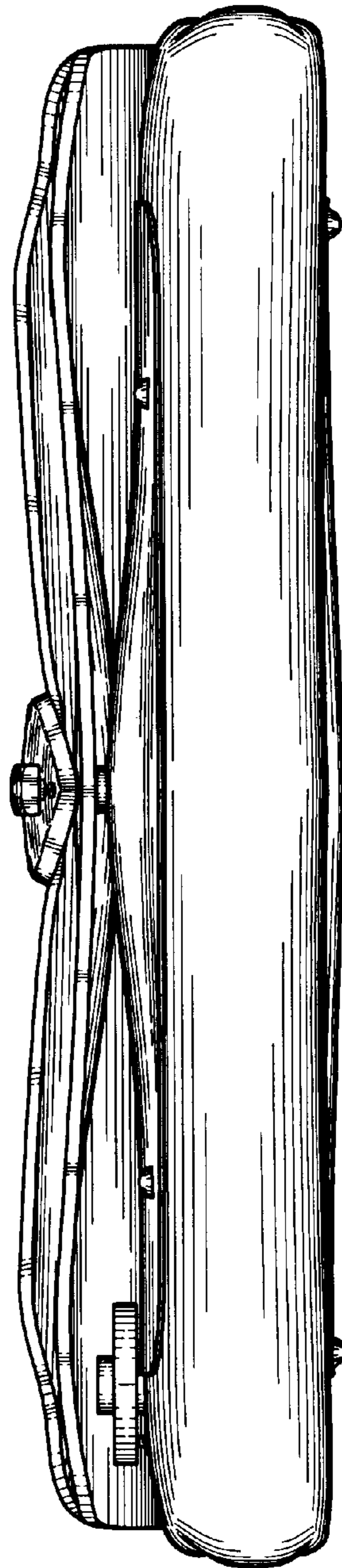


FIG. 7

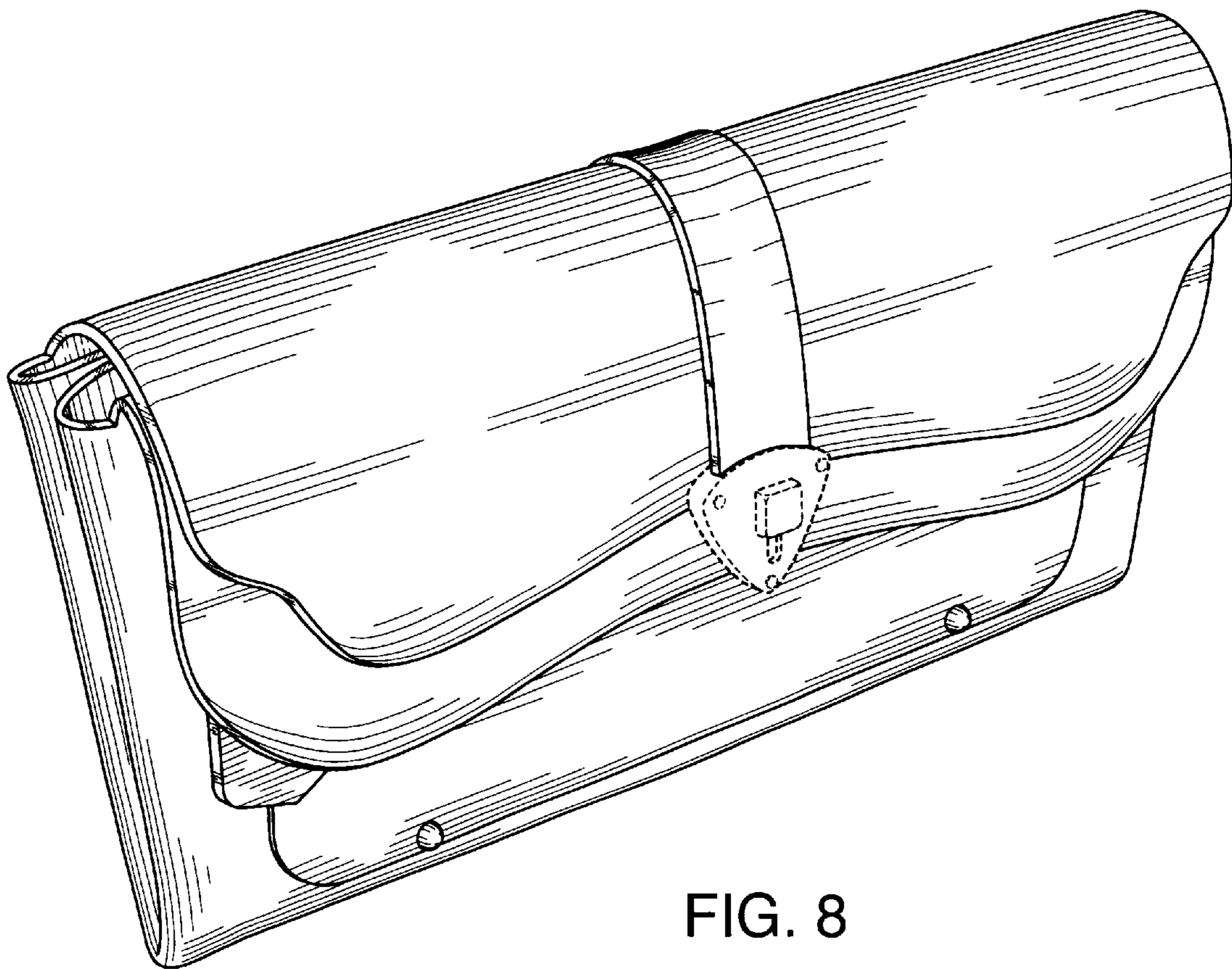


FIG. 8