

US00D543352S

(12) **United States Design Patent**
Goradesky et al.

(10) **Patent No.: US D543,352 S**

(45) **Date of Patent: ** May 29, 2007**

(54) **WRAP AROUND CELL PHONE OR
PERSONAL ELECTRONIC DEVICE
CARRIER**

Primary Examiner—Catherine R. Oliver

(74) *Attorney, Agent, or Firm*—Robert C. Kain, Jr.; Fleit
Kain

(75) Inventors: **Harold S. Goradesky**, Fort Lauderdale,
FL (US); **Erik C. Turocy**, Columbus,
OH (US)

(57) **CLAIM**

We claim the ornamental design for the wrap around cell
phone or personal electronic device carrier, as shown and
described.

(73) Assignee: **A. G. Findings & Mfg. Co.**, Sunrise,
FL (US)

(**) Term: **14 Years**

DESCRIPTION

(21) Appl. No.: **29/248,838**

(22) Filed: **Sep. 7, 2006**

(51) **LOC (8) Cl.** **03-01**

(52) **U.S. Cl.** **D3/218**

(58) **Field of Classification Search** D3/218,
D3/215, 219, 224–226, 247–251, 230, 303;
224/219, 222, 269, 240, 583; 206/320
See application file for complete search history.

FIG. 1 is an upper right perspective view of the wrap around
cell phone or personal electronic device carrier (the top and
bottom views not shown and forming no part of the design
of the carrier).

FIG. 2 is a right side view of the wrap around cell phone or
personal electronic device carrier (the left side view being a
mirror image of the right side view).

FIG. 3 is a front view of the wrap around cell phone or
personal electronic device carrier.

FIG. 4 is a rear perspective view of the wrap around cell
phone or personal electronic device carrier; and,

FIG. 5 is a right side view of the wrap around cell phone or
personal electronic device carrier in use (the cell phone
shown in dashed lines not being part of the design).

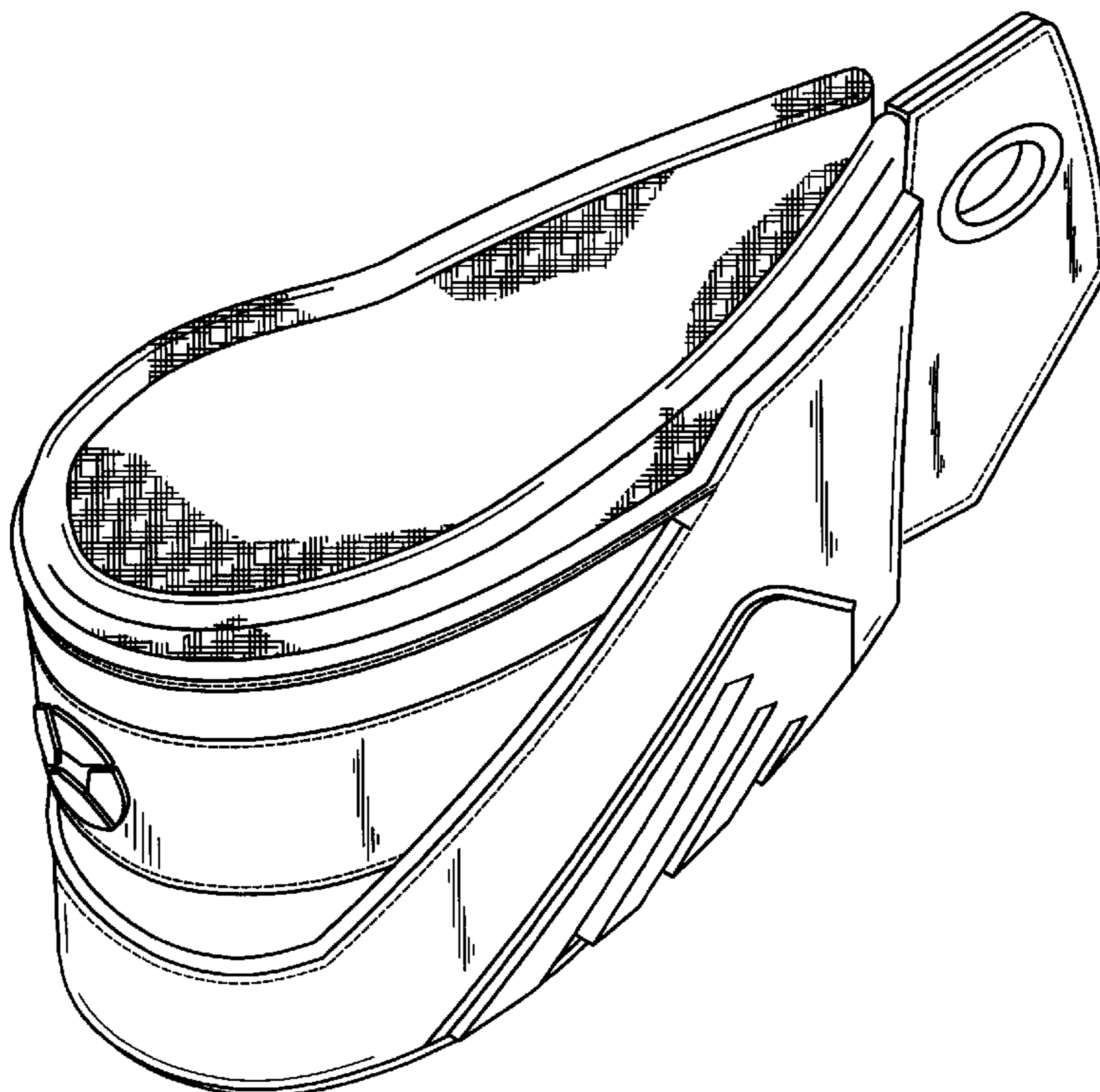
(56) **References Cited**

U.S. PATENT DOCUMENTS

D389,304 S *	1/1998	Ault et al.	D3/251
D491,355 S *	6/2004	Sloot	D3/247
D495,873 S *	9/2004	Badillo et al.	D3/218

* cited by examiner

1 Claim, 4 Drawing Sheets



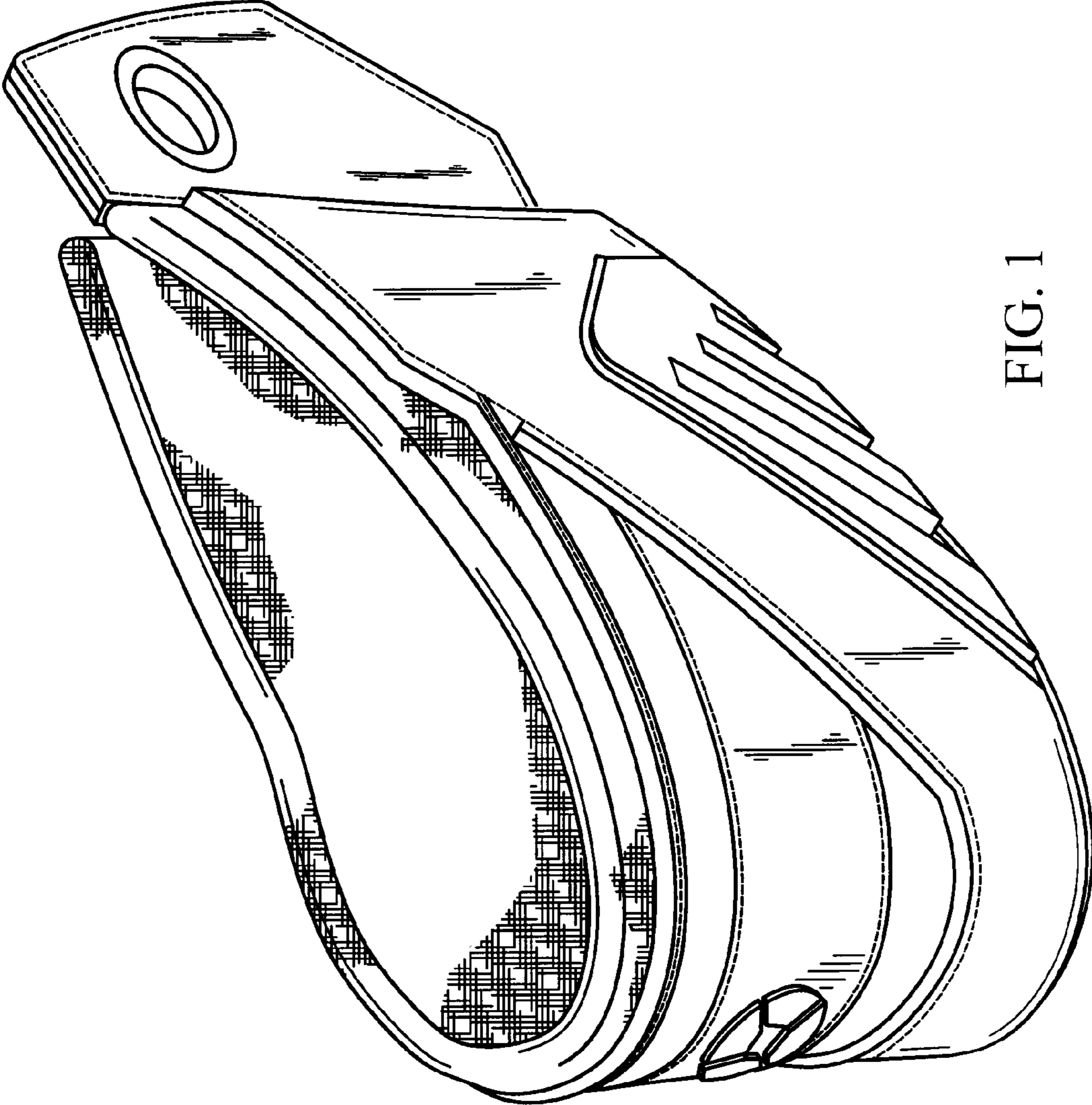


FIG. 1

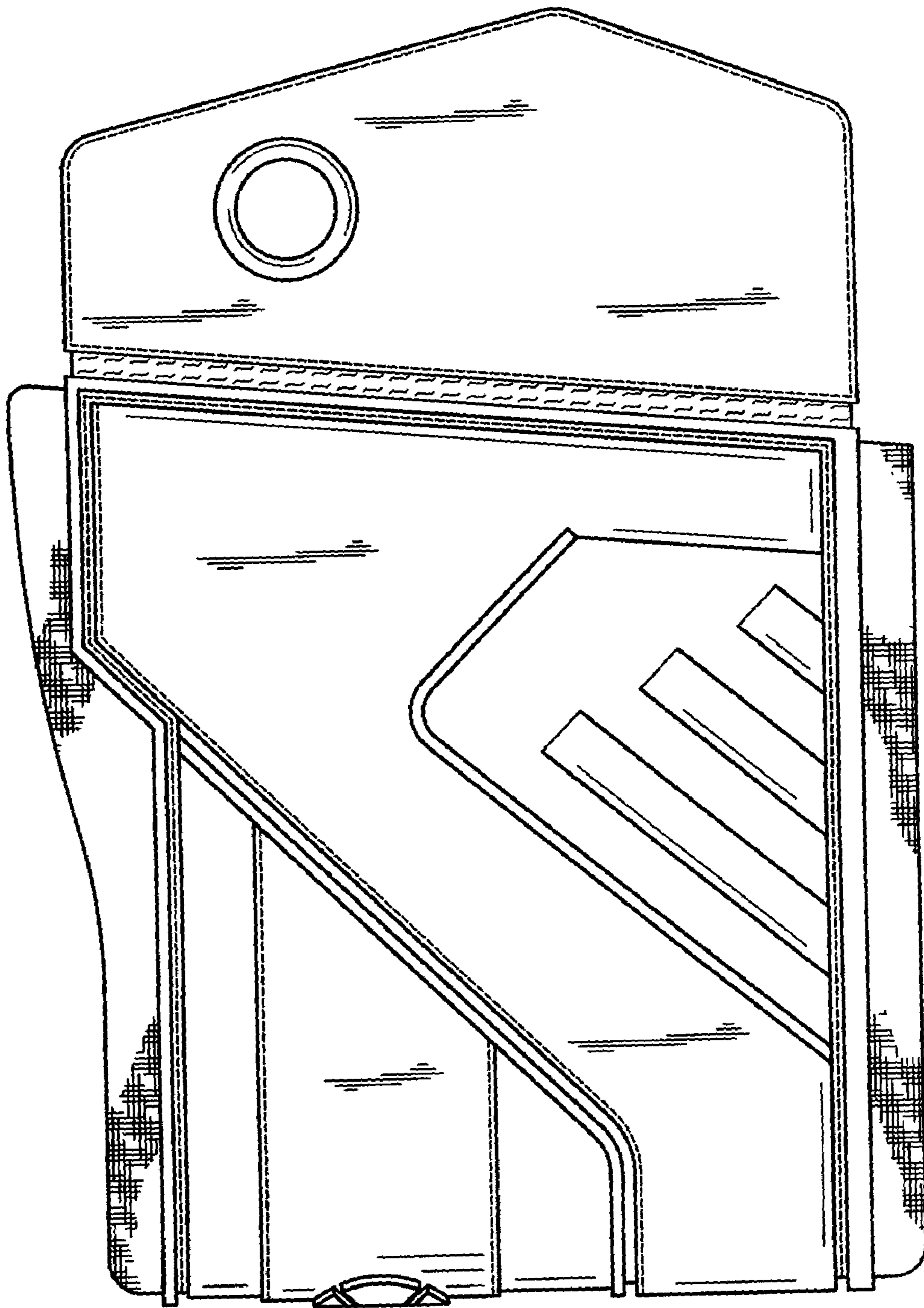


FIG. 2

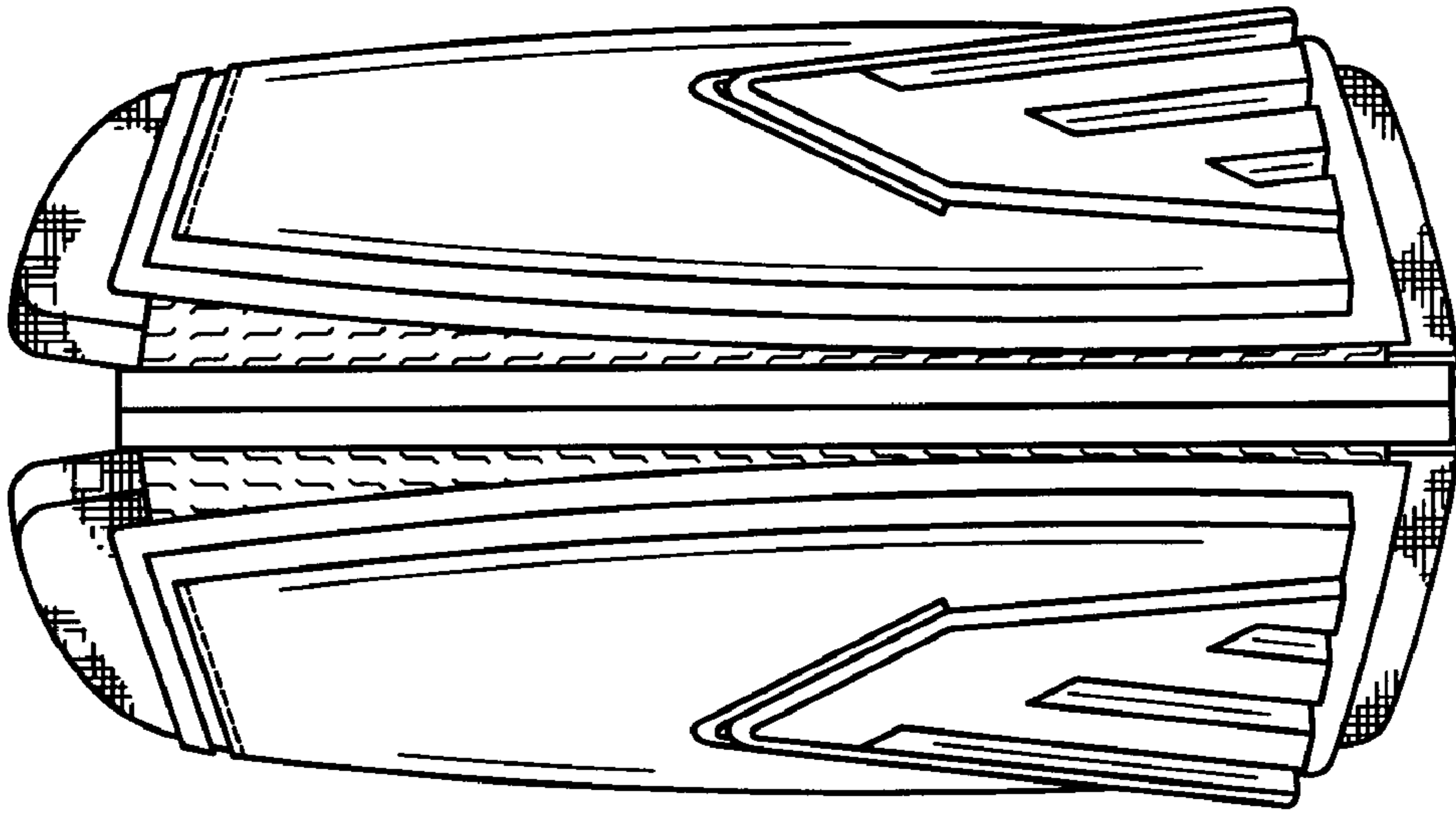


FIG. 4

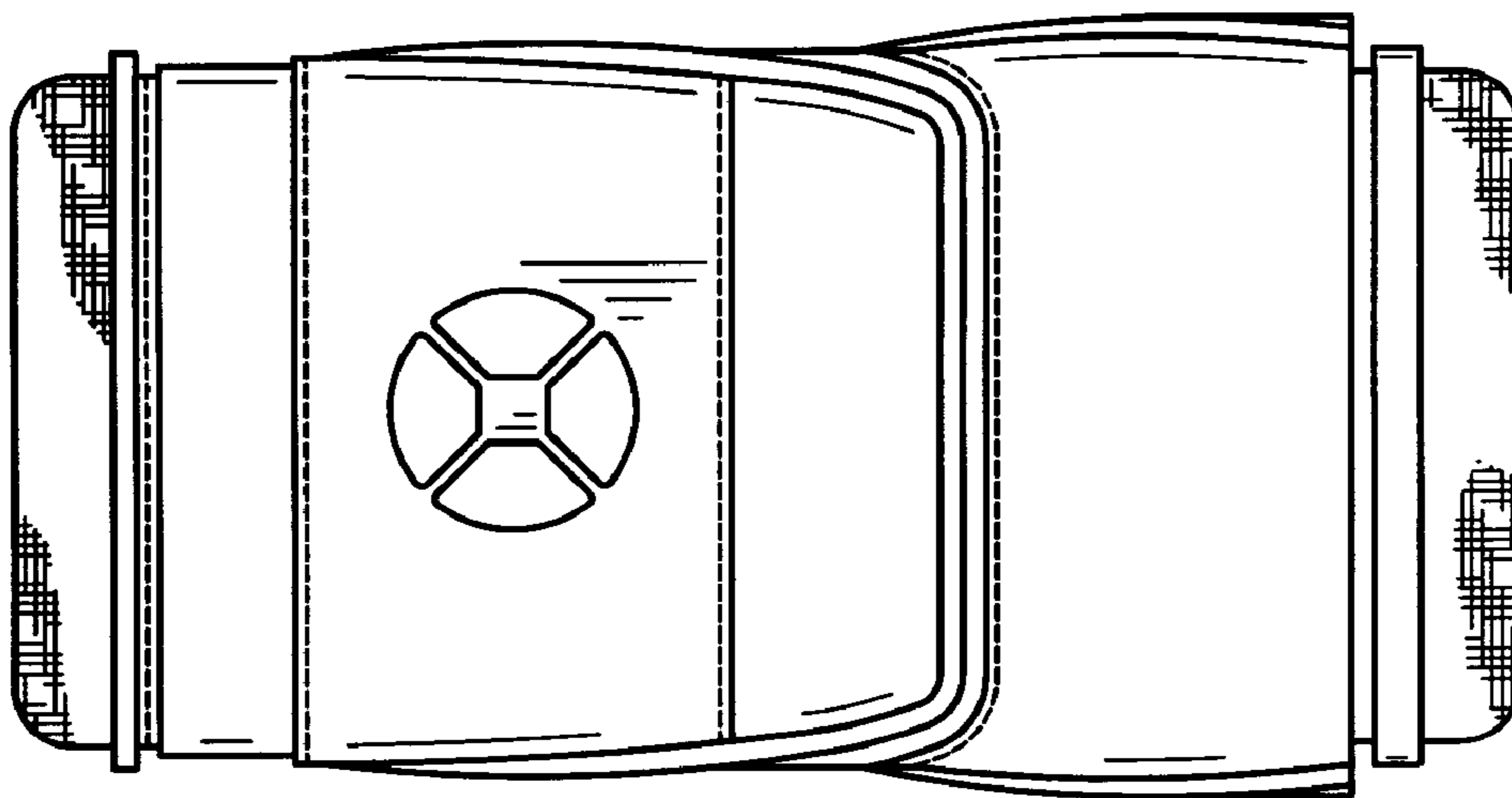


FIG. 3

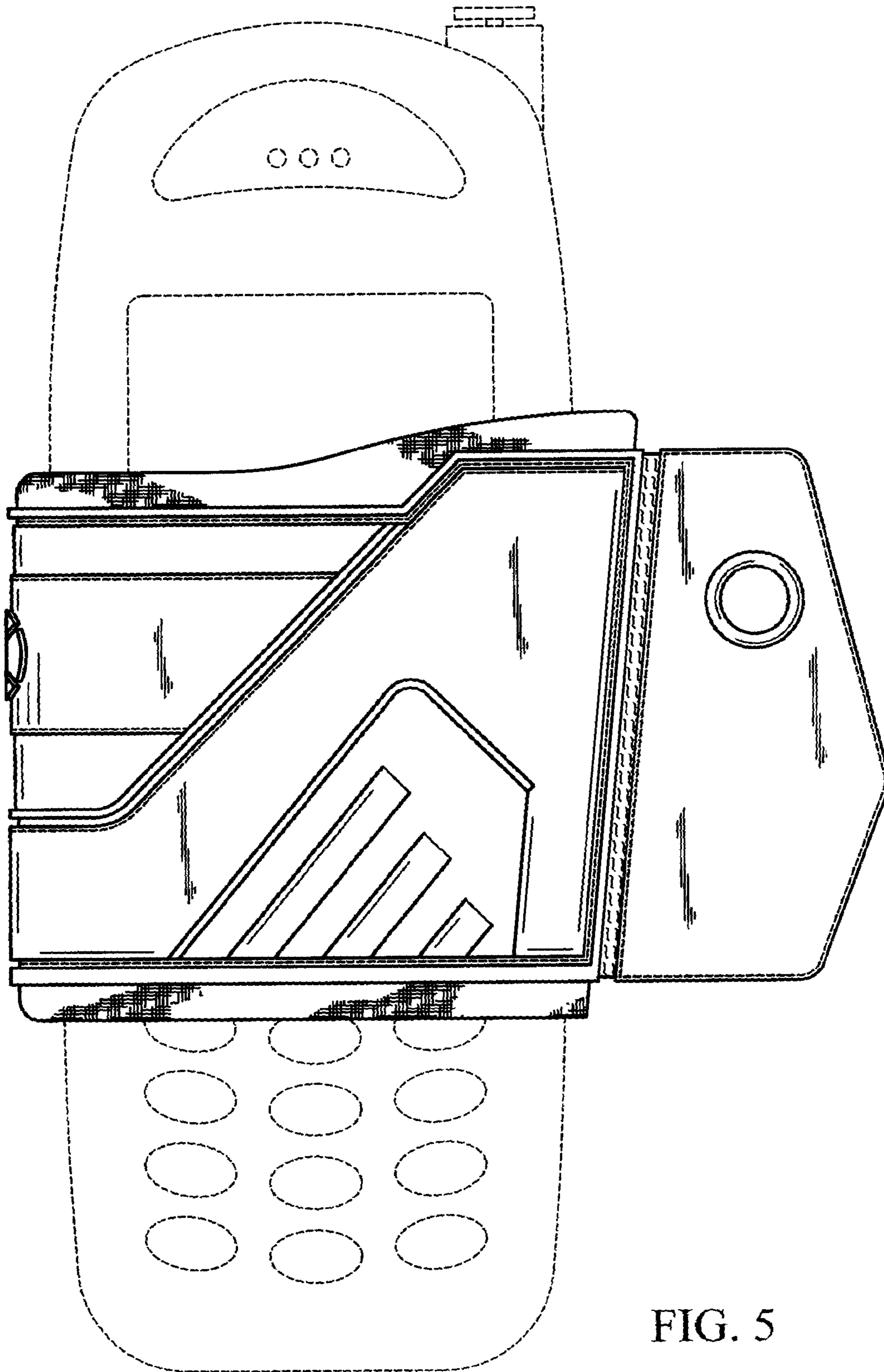


FIG. 5