



US00D543335S

(12) **United States Design Patent**
Mikolajczyk et al.

(10) **Patent No.:** **US D543,335 S**
(45) **Date of Patent:** **** May 22, 2007**

(54) **PORTIONS OF MASTER DOOR LOCKING
COMPONENTS OF CLUSTER BOX MAIL
DELIVERY RECEPTACLES**

1,104,153 A 7/1914 Steward

(Continued)

(76) Inventors: **Ryszard K. Mikolajczyk**, 3708 N.
Oconto Ave., Chicago, IL (US) 60634;
Tauris D. Baskerville, 1106 Westover
La., Schamburg, IL (US) 60193

(**) Term: **14 Years**

(21) Appl. No.: **29/208,351**

(22) Filed: **Jun. 29, 2004**

(51) **LOC (8) Cl.** **99-00**

(52) **U.S. Cl.** **D99/43**

(58) **Field of Classification Search** D99/28,
D99/29, 31, 32, 33; 232/17, 24, 25, 27; 109/53,
109/59; 312/7, 2, 107, 111, 348.6, 215; D6/445,
D6/491, 397, 170; 211/10; D8/343, 346,
D8/301, 353; 70/452; 292/128

See application file for complete search history.

(56) **References Cited**

U.S. PATENT DOCUMENTS

233,992 A	11/1880	Crowder et al.
252,154 A	1/1882	Temple et al.
353,008 A	11/1886	Sutliff
483,070 A	9/1892	Light
491,495 A	2/1893	Ridell
510,199 A	12/1893	Sheldon
618,846 A	2/1899	Crowder
666,038 A	1/1901	Taylor
693,770 A	2/1902	Wright et al.
694,219 A	2/1902	Vestal
707,236 A	8/1902	Kelly
753,302 A	3/1904	Ogle
825,339 A	7/1906	McWade
892,187 A	6/1908	Schriefer
894,577 A	7/1908	Bessner
950,935 A	3/1910	Lorenz et al.
1,060,018 A	4/1913	Pape

OTHER PUBLICATIONS

Auth-Florence Manufacturing, Glendale Heights; IL 60139,
"Commercial & Residential Mailbox Products," 28 page
catalog; Jun. 2003.

Auth-Florence Manufacturing, Glendale Heights; IL 60139,
"Residential Units," 2 page brochure, Apr. 2002.

Auth-Florence Manufacturing, Glendale Heights, IL 60139,
"Parcel Lockers," 2 page brochure, Apr. 2002.

Auth-Florence Manufacturing, Glendale Heights, IL 60139,
"Cluster Box Units," 2 page brochure, Mar. 2003.

Primary Examiner—Paula A. Greene

(74) *Attorney, Agent, or Firm*—Justin S. Rerko, Esq.

(57) **CLAIM**

We claim the ornamental design for portions of master door
locking components of cluster box mail delivery receptacles,
as shown and described.

DESCRIPTION

FIG. 1 is a perspective view showing portions of our new
design, with locking components unlocked and separated;
FIG. 2 is a perspective view on an enlarged scale showing
principally rear and left portions thereof;

FIG. 3 is a perspective view showing principally front and
left portions thereof;

FIG. 4 is a top plan view thereof;

FIG. 5 is a left end view thereof;

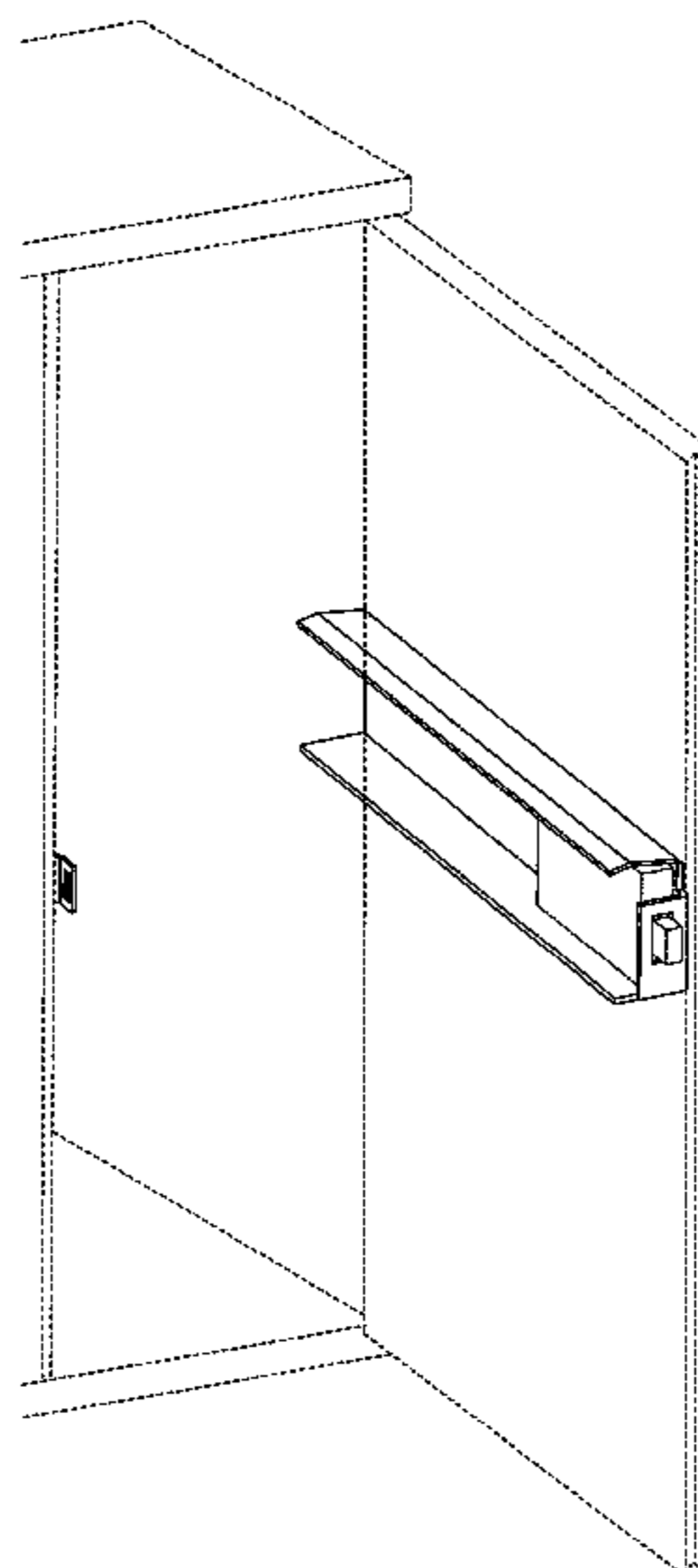
FIG. 6 is a perspective view thereof, similar to FIG. 2 but
with components in locked together position;

FIG. 7 is a perspective view thereof, similar to FIG. 3 but
with components in locked together position; and,

FIG. 8 is a top plan view thereof, similar to FIG. 4 but with
components in locked together position.

The broken lines are for illustrative purposes only and forms
no part of the claimed design.

1 Claim, 8 Drawing Sheets



US D543,335 S

U.S. PATENT DOCUMENTS			
1,222,964 A	4/1917	Matchette	
1,275,511 A	8/1918	Welch	
1,307,649 A	6/1919	Wiel	
1,350,770 A	8/1920	Bates et al.	
1,362,949 A	12/1920	Lillard	
1,365,960 A	1/1921	Abbett	
1,444,332 A	2/1923	Chism	
1,459,031 A	6/1923	Murphy	
1,534,920 A	4/1925	Cox	
1,547,588 A	7/1925	Kolstad	
1,554,862 A	9/1925	Lightfoot	
1,574,354 A	2/1926	Barth	
1,581,776 A	4/1926	Altschul	
1,598,325 A	8/1926	Steele, Jr.	
1,604,629 A	10/1926	Beer	
1,605,118 A	11/1926	Kolstad	
1,606,423 A	11/1926	Hudson	
1,607,121 A	11/1926	Doran	
1,612,335 A	12/1926	Wilhelm	
1,620,474 A	3/1927	Krick	
1,629,620 A	5/1927	Harmony	
1,629,679 A	5/1927	Colby	
1,632,702 A	6/1927	Hammer	
1,632,733 A	6/1927	Hammer	
1,632,734 A	6/1927	Hammer	
1,632,762 A	6/1927	Hammer	
1,642,533 A	9/1927	Beer	
1,644,215 A	10/1927	Wilhelm	
1,654,884 A	1/1928	Johnson	
1,661,370 A	3/1928	Kaser	
1,683,217 A	9/1928	Ward, Jr.	
1,683,218 A	9/1928	Ward, Jr.	
1,684,513 A	9/1928	Parker	
1,685,222 A	9/1928	Blackman	
1,689,204 A	10/1928	Hunter et al.	
1,695,524 A	12/1928	Blackman	
1,709,363 A	4/1929	Murphy	
1,709,560 A	4/1929	Blackman	
1,719,541 A	7/1929	Gaffner et al.	
1,735,379 A	11/1929	Content	
1,736,895 A	11/1929	Ward, Jr.	
1,747,003 A	2/1930	Hammer	
1,750,339 A	3/1930	Wood	
1,756,945 A	5/1930	Hammer	
1,760,961 A	6/1930	Parker	
1,770,188 A	7/1930	Auth	
1,785,404 A	12/1930	Blackman	
1,817,191 A	8/1931	Harmony	
1,842,258 A	1/1932	Fetyk	
1,874,696 A	8/1932	Cole	
1,957,271 A	5/1934	Keil	
2,047,454 A	7/1936	Anderson et al.	
2,164,855 A	7/1939	Florence	
2,465,935 A	3/1949	Scalia	
2,480,288 A	8/1949	Donadio	
2,563,094 A	8/1951	Becker	
2,566,015 A	* 8/1951	Borchers	292/128
2,623,689 A	12/1952	Barlick	
		2,658,667 A	11/1953 Mirkin
		2,694,369 A	11/1954 Strother
		2,803,512 A	8/1957 Band
		2,832,529 A	4/1958 Brown
		2,841,327 A	7/1958 Chasworth
		2,853,231 A	9/1958 Yorgey et al.
		2,960,265 A	11/1960 Simon
		3,070,234 A	12/1962 Dietchman
		D210,257 S	2/1968 Favaro
		D210,332 S	2/1968 Favaro
		3,784,089 A	1/1974 Koch
		3,790,244 A	2/1974 Stackhouse
		4,073,554 A	2/1978 Oder et al.
		D248,138 S	6/1978 Stackhouse et al.
		4,121,758 A	10/1978 Bonner
		4,153,314 A	* 5/1979 Prater 312/348.6
		4,161,274 A	7/1979 Bishop et al.
		4,290,548 A	9/1981 Denhart
		D265,720 S	* 8/1982 Harrison D8/346
		4,356,956 A	11/1982 Long
		D279,419 S	6/1985 Stevens et al.
		D279,619 S	7/1985 Stevens et al.
		4,557,416 A	12/1985 Stahl et al.
		4,648,550 A	3/1987 Cleary, Jr.
		4,651,921 A	3/1987 McKellar
		D293,154 S	12/1987 McKellar
		D293,863 S	1/1988 Chester
		4,751,834 A	* 6/1988 Beck 70/452
		4,836,352 A	6/1989 Tateno et al.
		4,865,248 A	9/1989 Barth
		D315,996 S	4/1991 Barth et al.
		5,103,659 A	4/1992 Benefield
		D326,757 S	6/1992 Ullman
		D329,801 S	* 9/1992 Pearson D8/346
		D335,377 S	5/1993 Speciale
		5,267,688 A	12/1993 Benefield
		D366,576 S	1/1996 Stacy
		5,520,450 A	5/1996 Colson, Jr. et al.
		5,526,979 A	6/1996 Mann
		D374,966 S	10/1996 Matassa
		5,562,332 A	10/1996 Stacy
		5,794,844 A	8/1998 Jenkins
		5,820,018 A	10/1998 Stacy
		5,820,019 A	10/1998 Spitale
		5,992,736 A	11/1999 Parker
		D417,833 S	* 12/1999 Heithe D8/346
		6,003,761 A	12/1999 Chapman
		D419,747 S	1/2000 Noblet et al.
		D424,909 S	5/2000 Noblet et al.
		D434,924 S	12/2000 Jermain
		D438,034 S	2/2001 Jermain
		6,247,641 B1	6/2001 Noblet et al.
		6,296,181 B1	10/2001 Noblet et al.
		6,328,205 B1	12/2001 Noblet et al.
		D475,171 S	5/2003 Nelson et al.
		D485,043 S	1/2004 Nelson et al.
		6,749,109 B2	6/2004 Hill

* cited by examiner

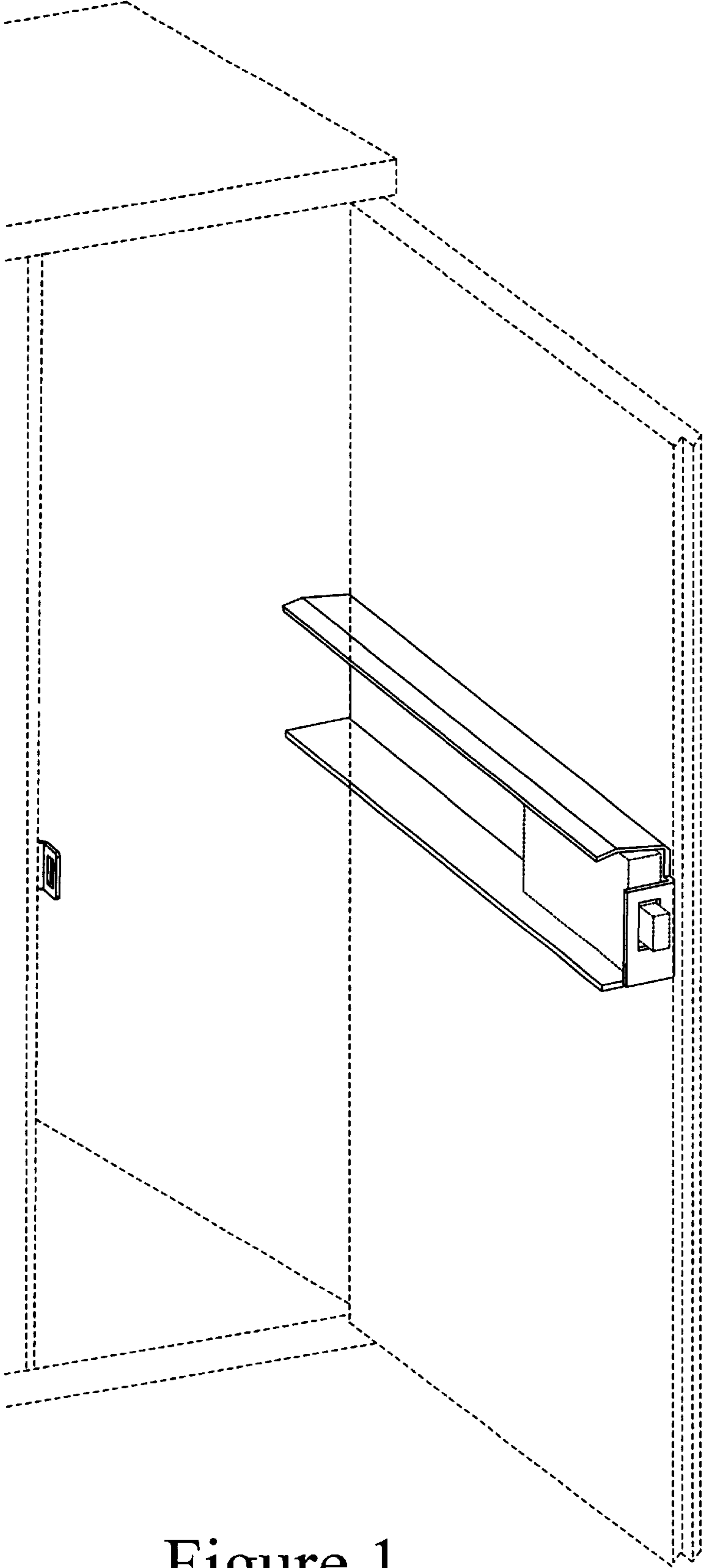


Figure 1

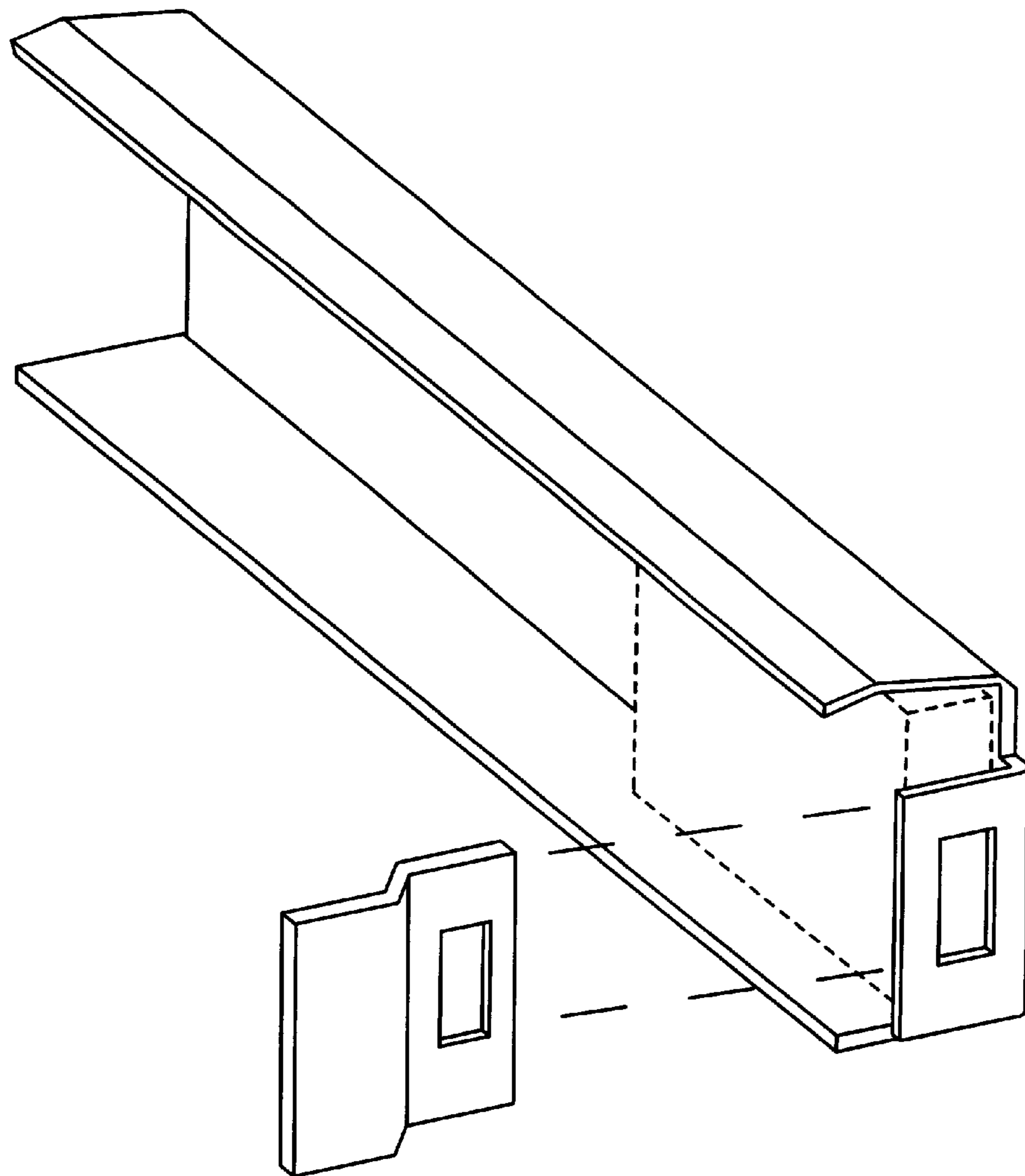


Figure 2

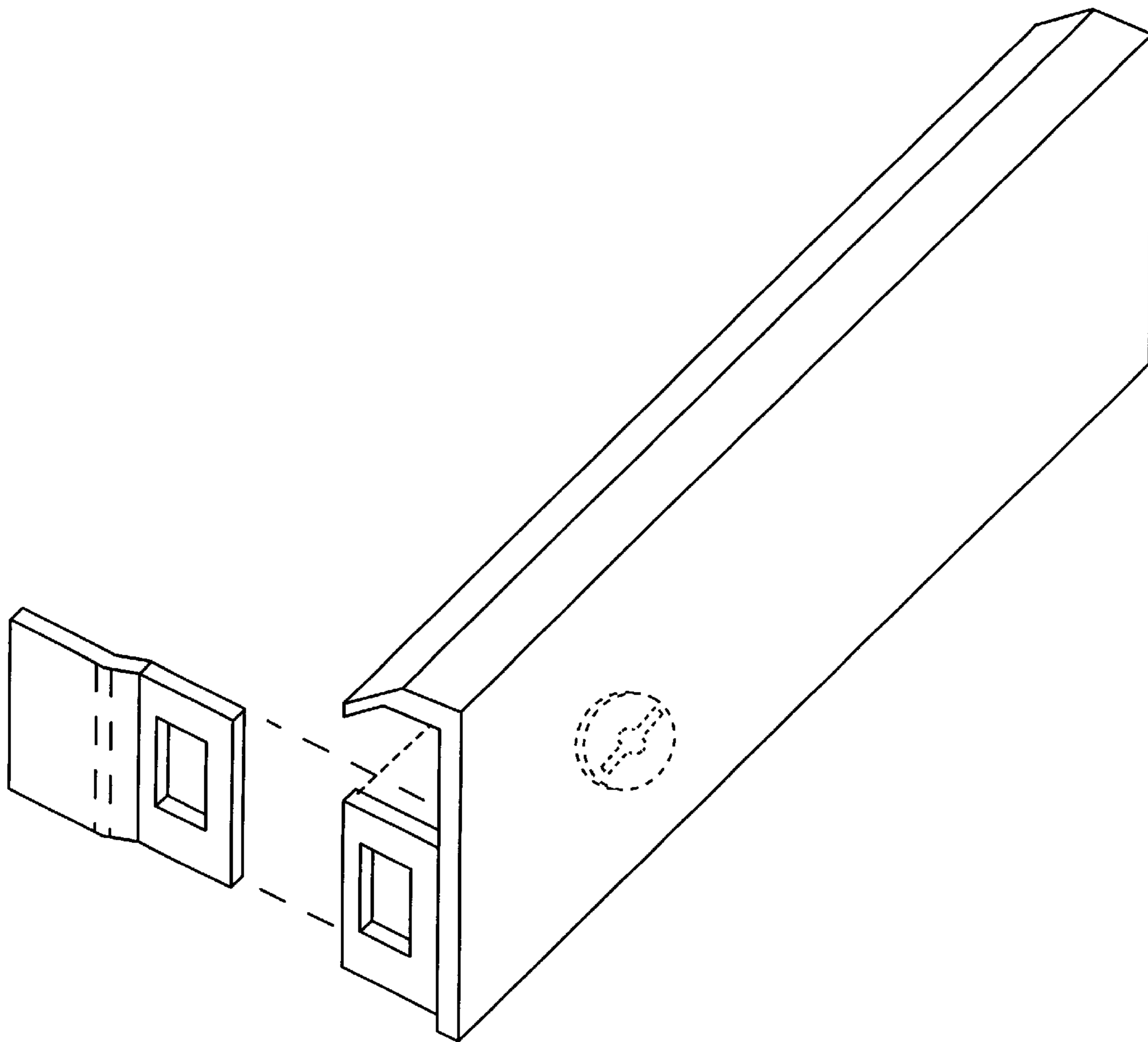


Figure 3

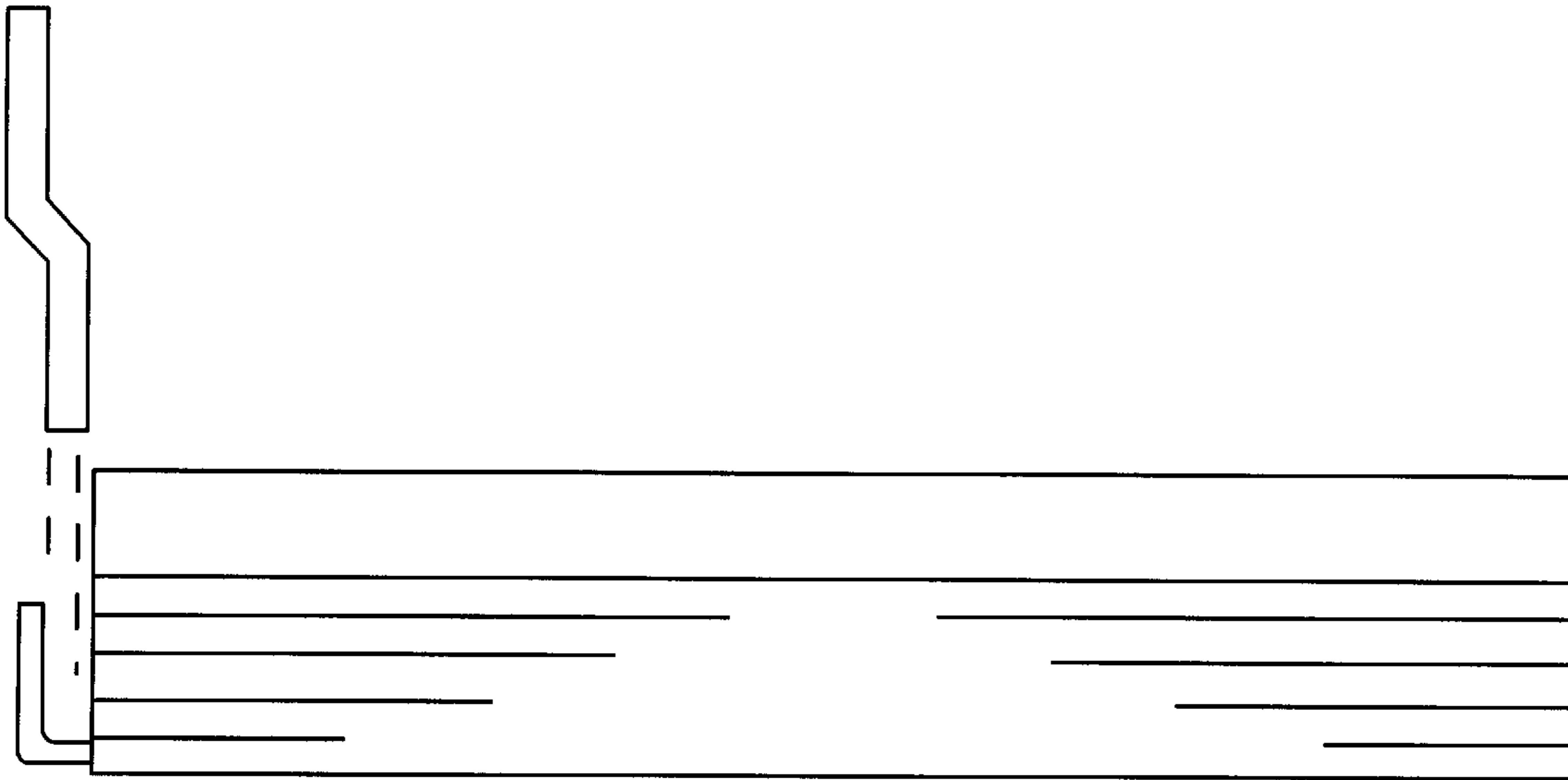


Figure 4

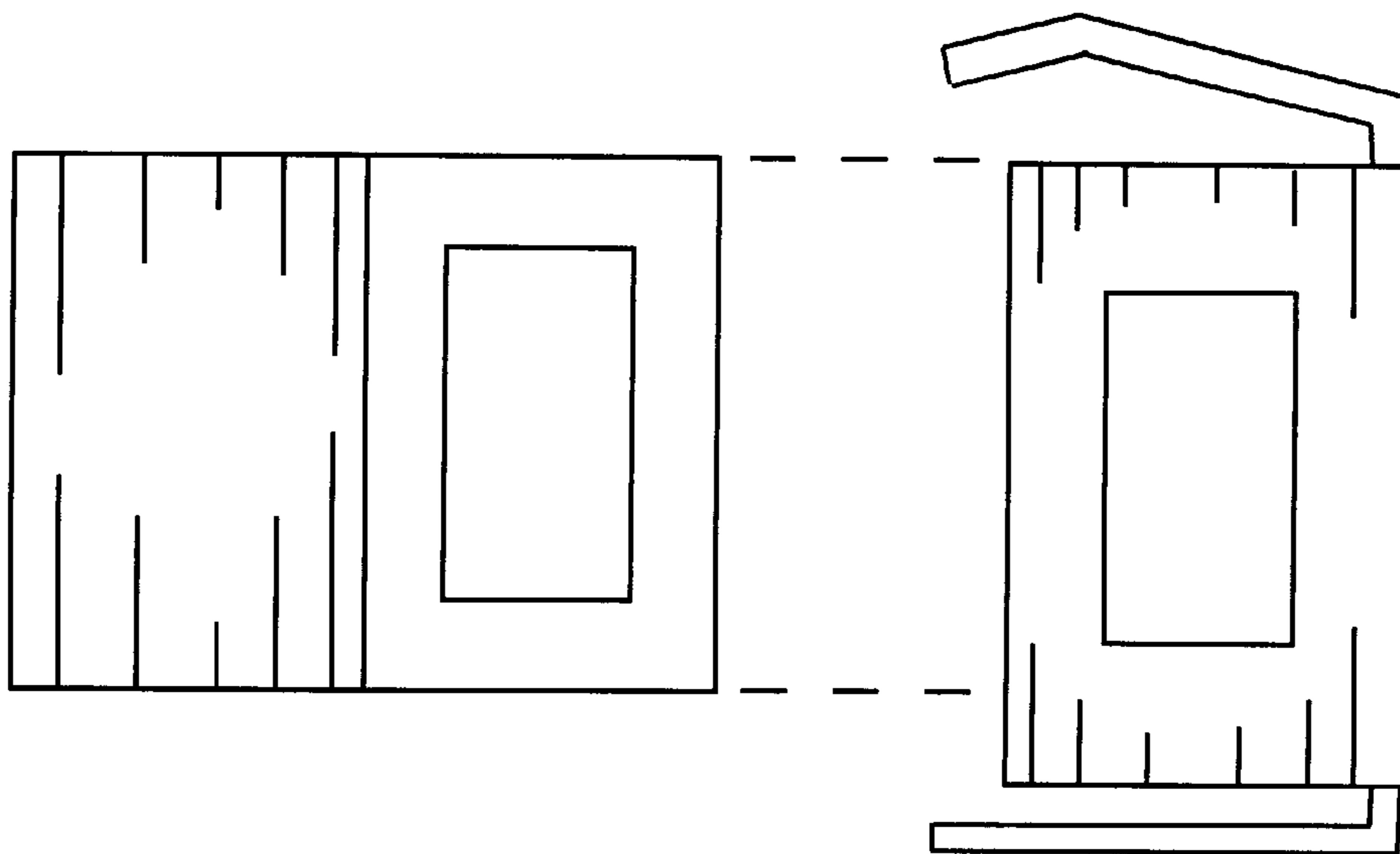


Figure 5

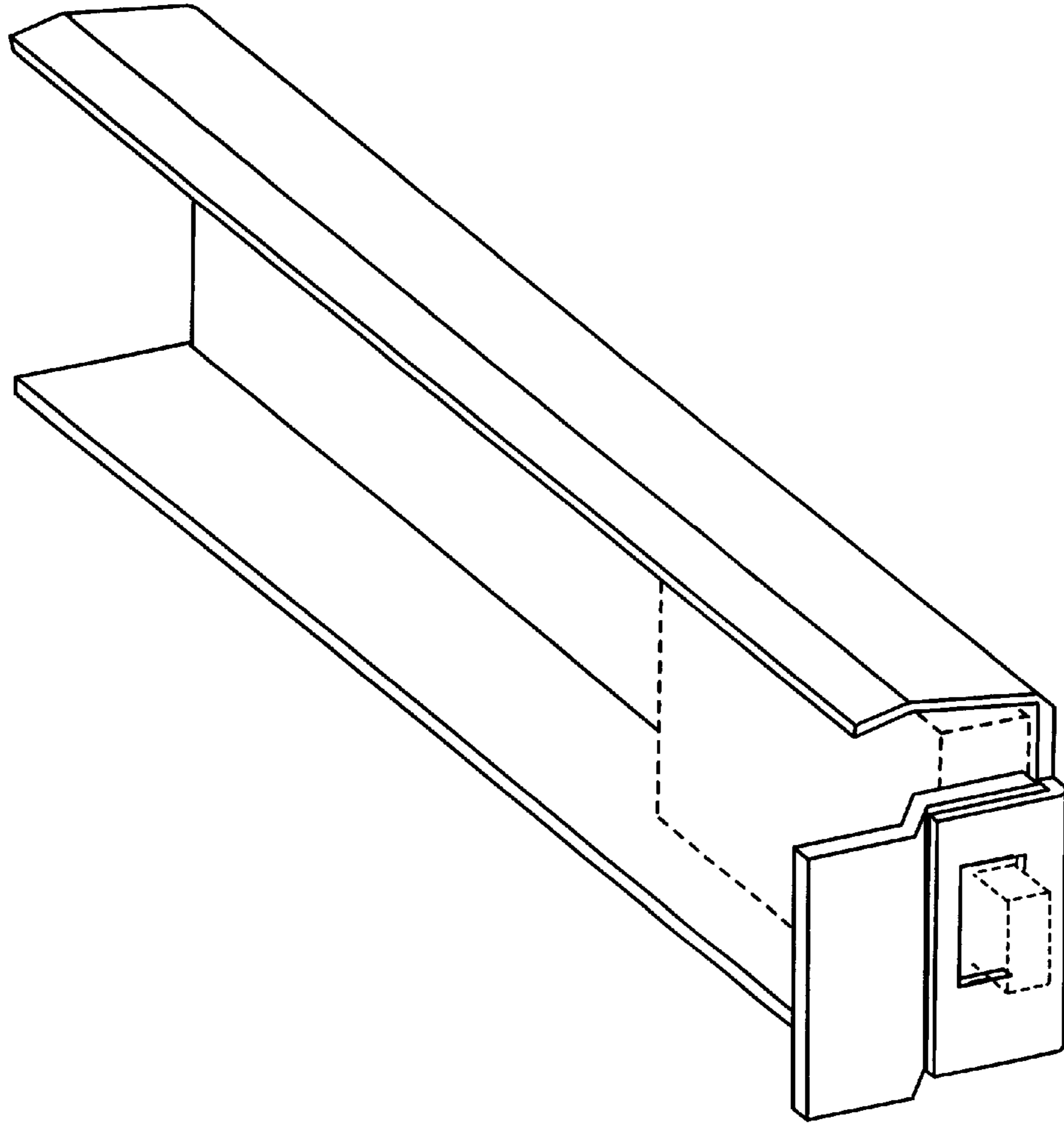


Figure 6

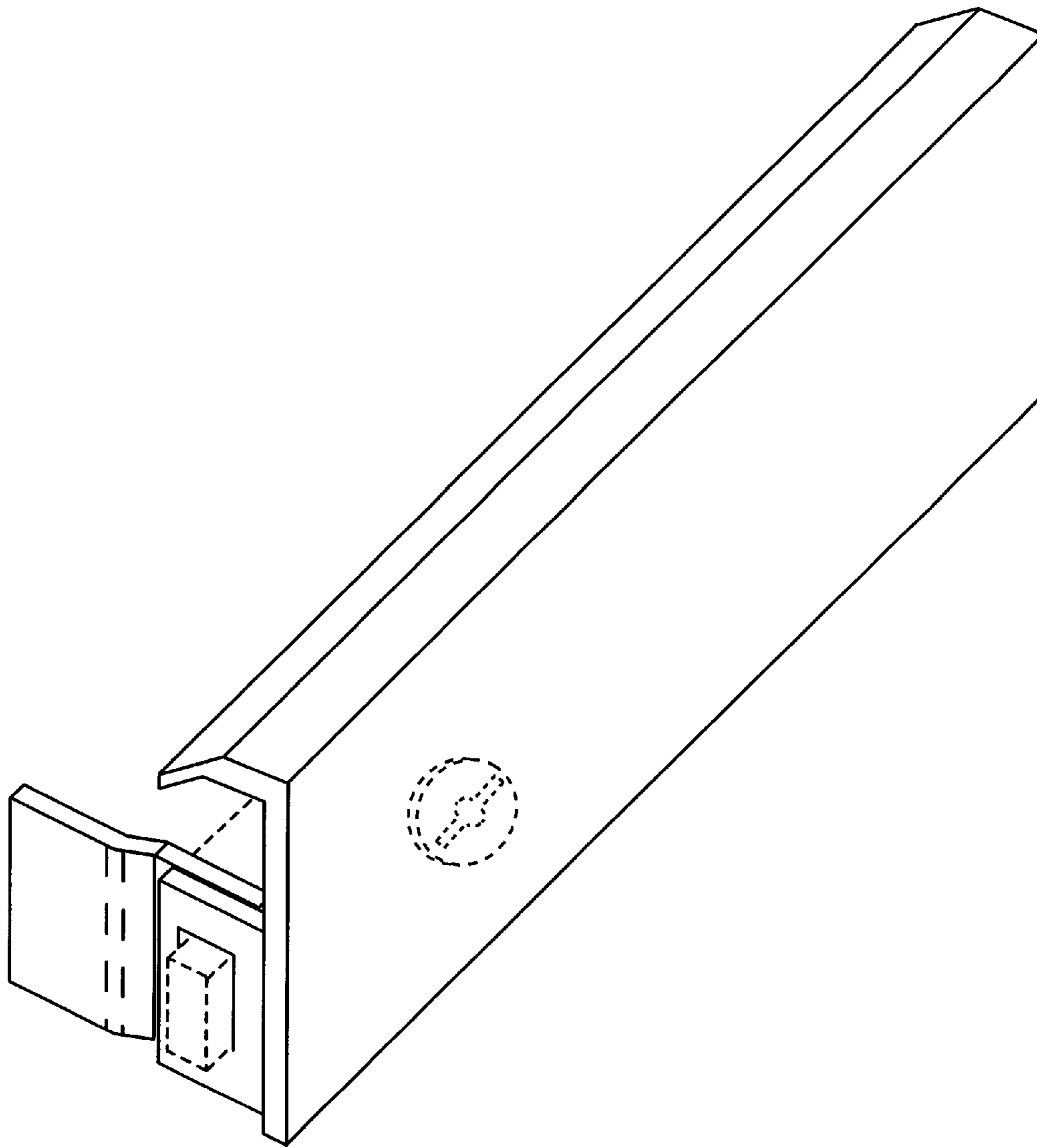


Figure 7

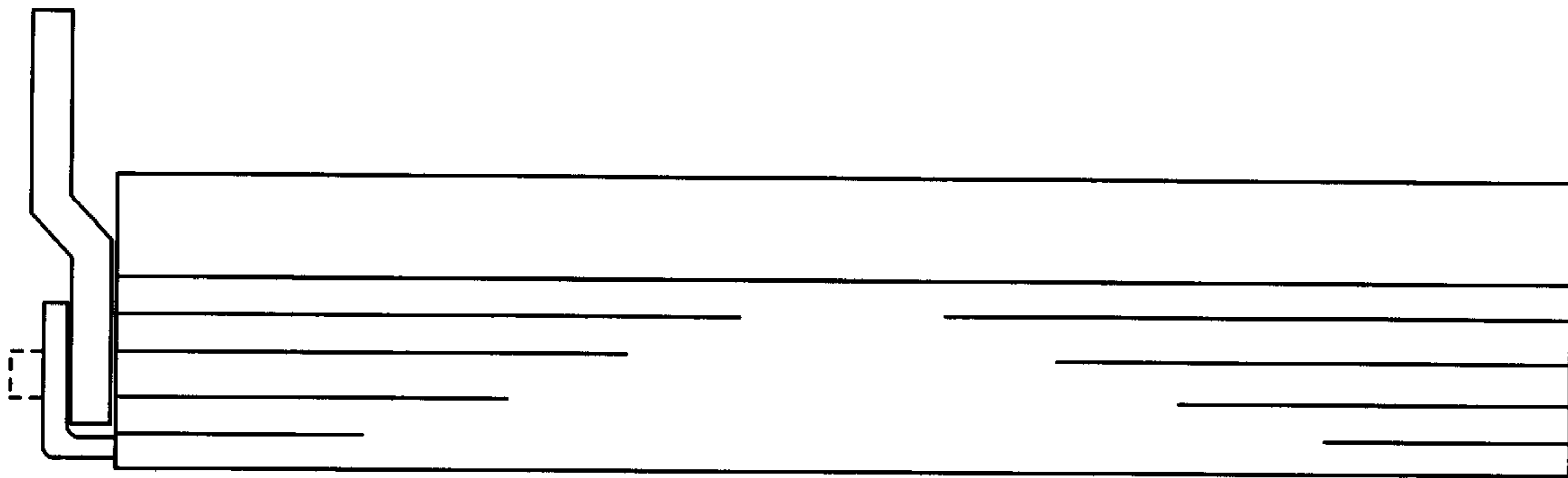


Figure 8