



US00D543328S

(12) **United States Design Patent**
Kulkey

(10) **Patent No.:** **US D543,328 S**

(45) **Date of Patent:** **** May 22, 2007**

(54) **COLLAPSIBLE BAG HOLDER**

(76) **Inventor:** **Richard E. Kulkey**, 16683 Sycamore St. NW., Andover, MN (US) 55304

(**) **Term:** **14 Years**

(21) **Appl. No.:** **29/257,909**

(22) **Filed:** **Apr. 12, 2006**

(51) **LOC (8) Cl.** **09-09**

(52) **U.S. Cl.** **D34/6**

(58) **Field of Classification Search** D34/1, D34/5, 6; 248/95, 97, 99, 100, 101
See application file for complete search history.

(56) **References Cited**

U.S. PATENT DOCUMENTS

967,368	A	*	8/1910	Grigsby	4/285
1,278,385	A	*	9/1918	Rickard	248/94
1,550,708	A	*	8/1925	Rozendal	47/47
2,496,757	A	*	2/1950	Sieling	210/474
D214,849	S	*	8/1969	Barrett	D34/6
D269,214	S	*	5/1983	Martinez, Sr.	D34/6
4,899,967	A	*	2/1990	Johnson	248/97

4,901,959	A	*	2/1990	Stage	248/97
D320,104	S	*	9/1991	Allen	D34/5
D334,307	S	*	3/1993	Lee	D6/462
D436,706	S	*	1/2001	Clinton	D34/6

* cited by examiner

Primary Examiner—Cynthia E. Ramirez

(74) *Attorney, Agent, or Firm*—Dicke, Billig & Czaja, PLLC

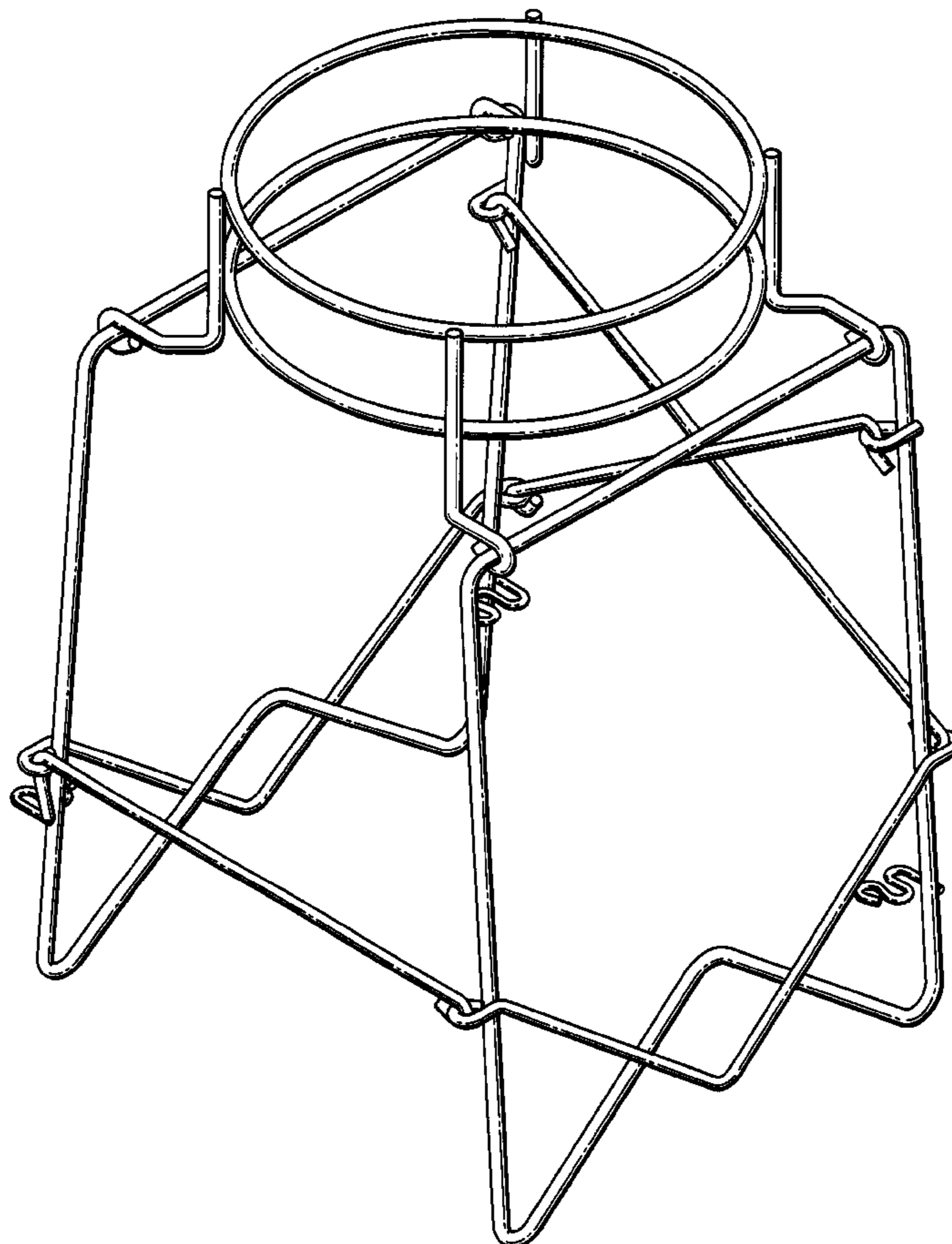
(57) **CLAIM**

The ornamental design for a collapsible bag holder, as shown and described.

DESCRIPTION

FIG. 1 is a perspective view of a collapsible bag holder showing my new design;
FIG. 2 is a right side view thereof;
FIG. 3 is a left side view thereof;
FIG. 4 is a rear view thereof;
FIG. 5 is a front view thereof;
FIG. 6 is a top side view thereof; and,
FIG. 7 is a bottom side view thereof.

1 Claim, 7 Drawing Sheets



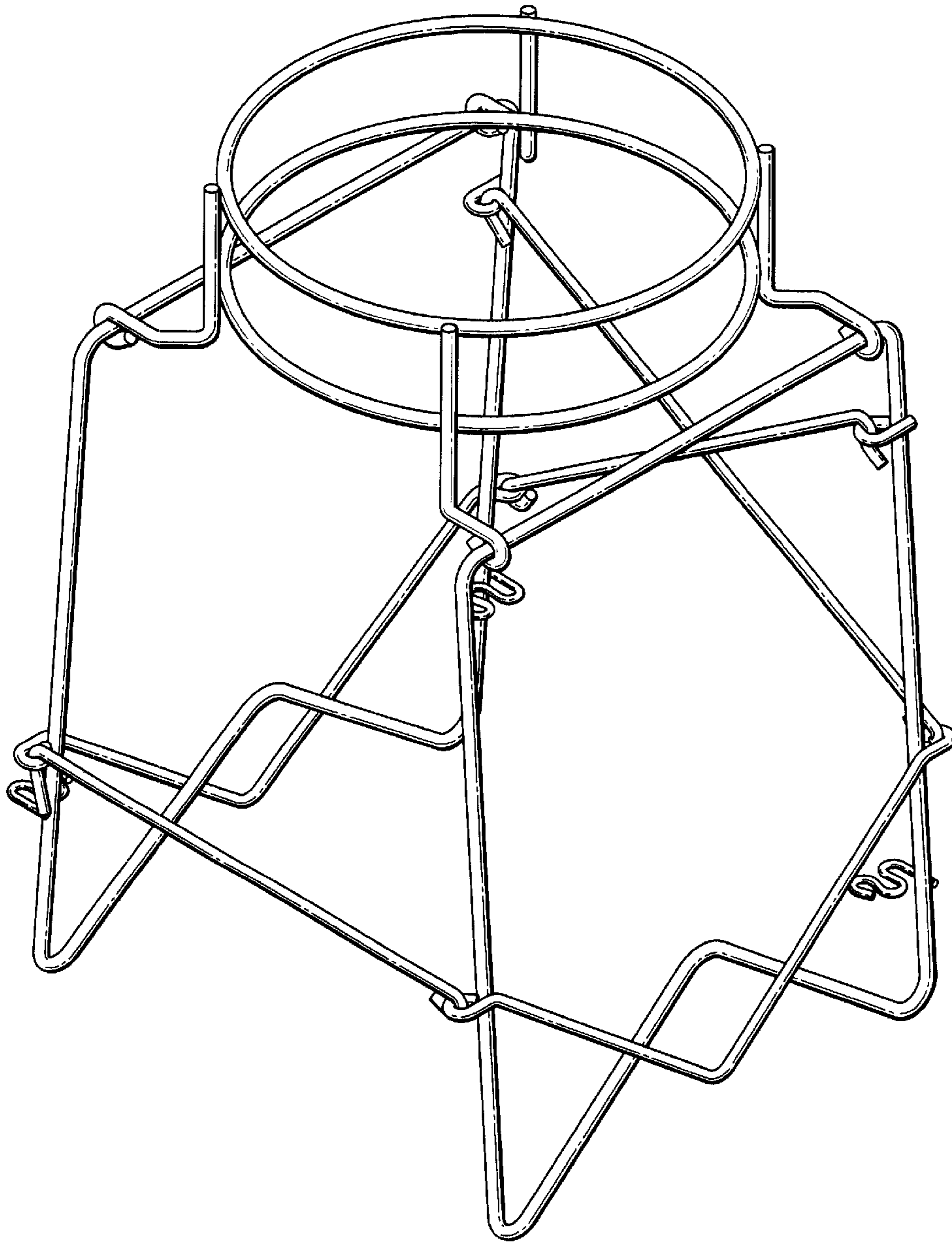


Fig. 1

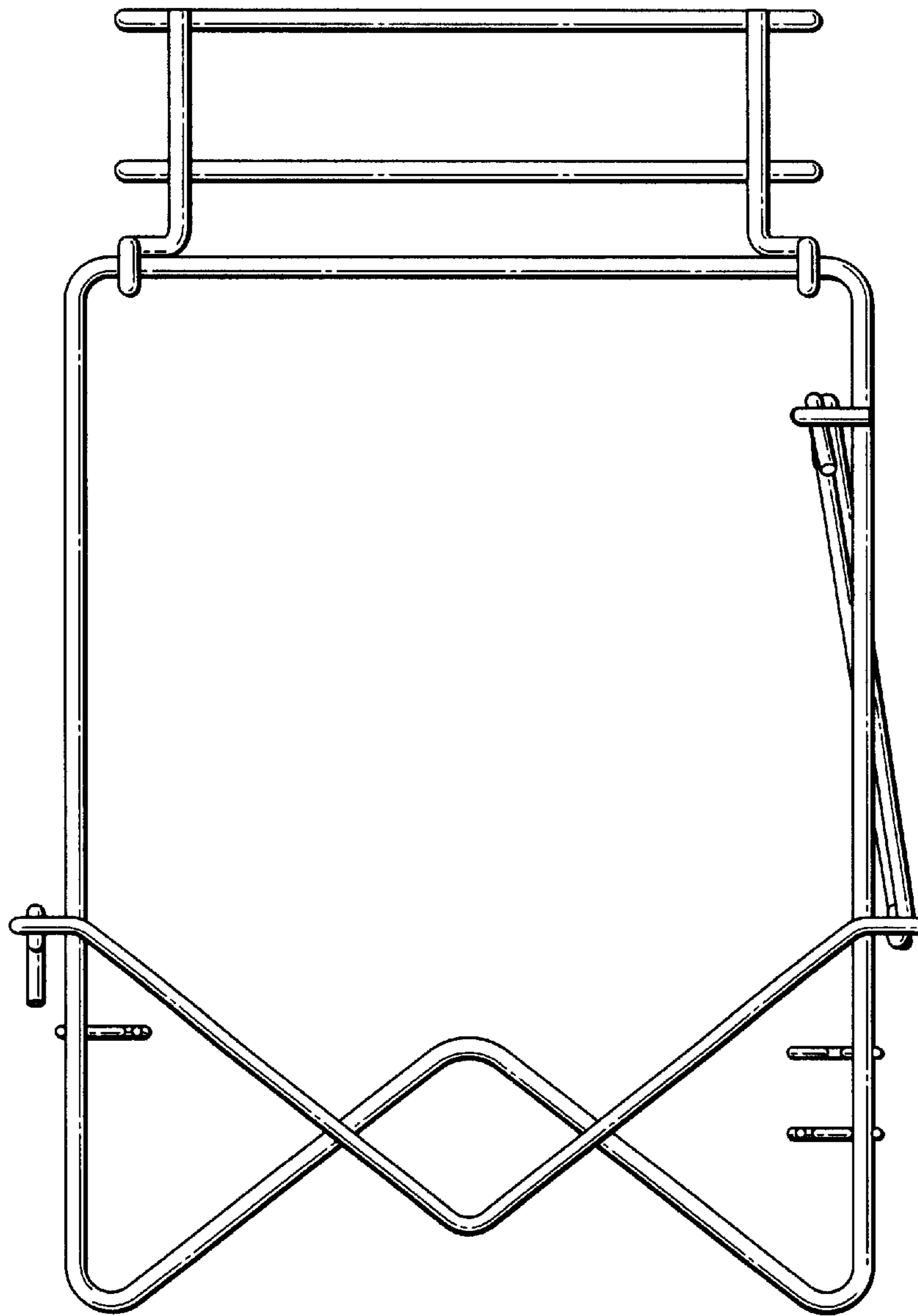


Fig. 2

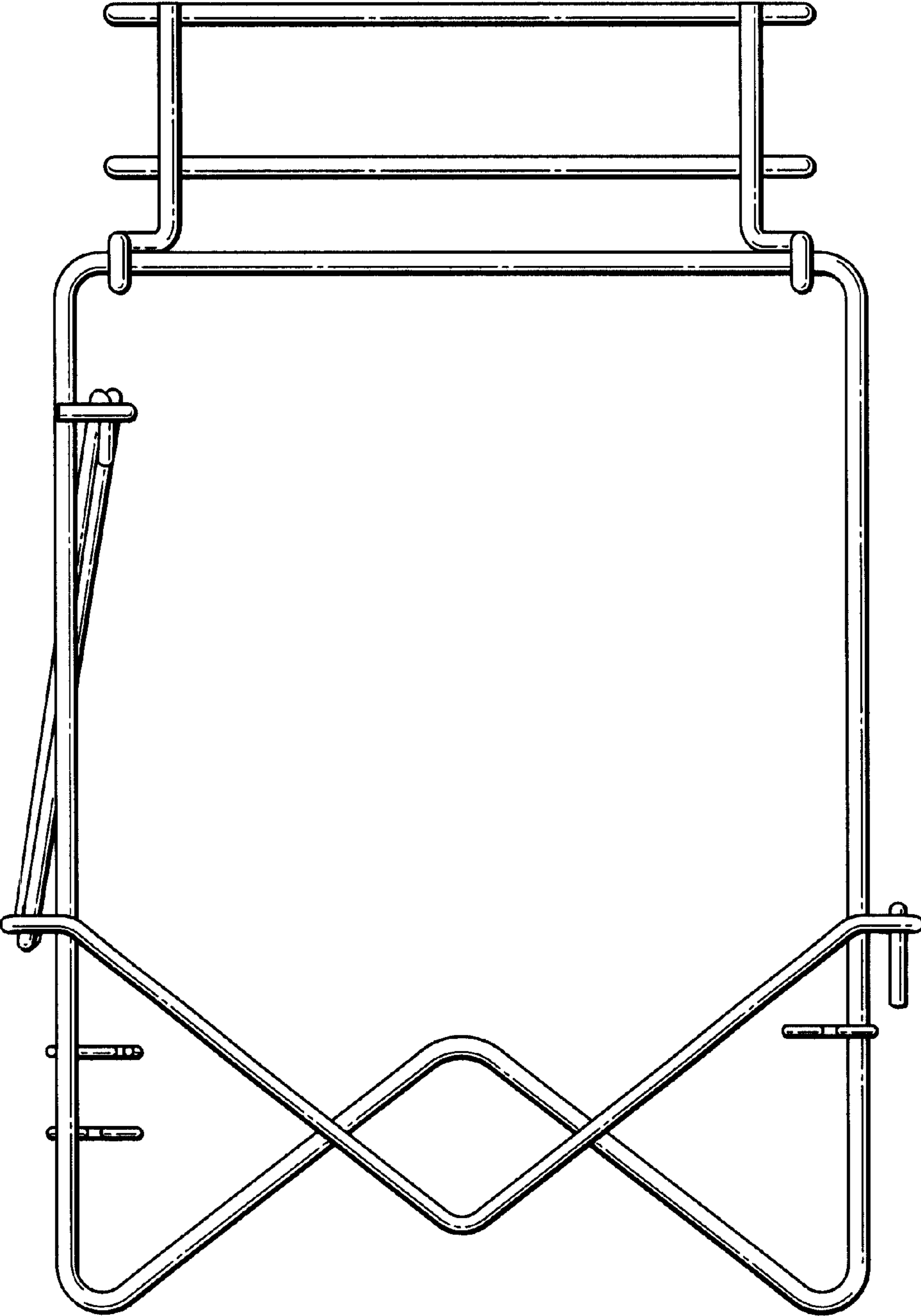


Fig. 3

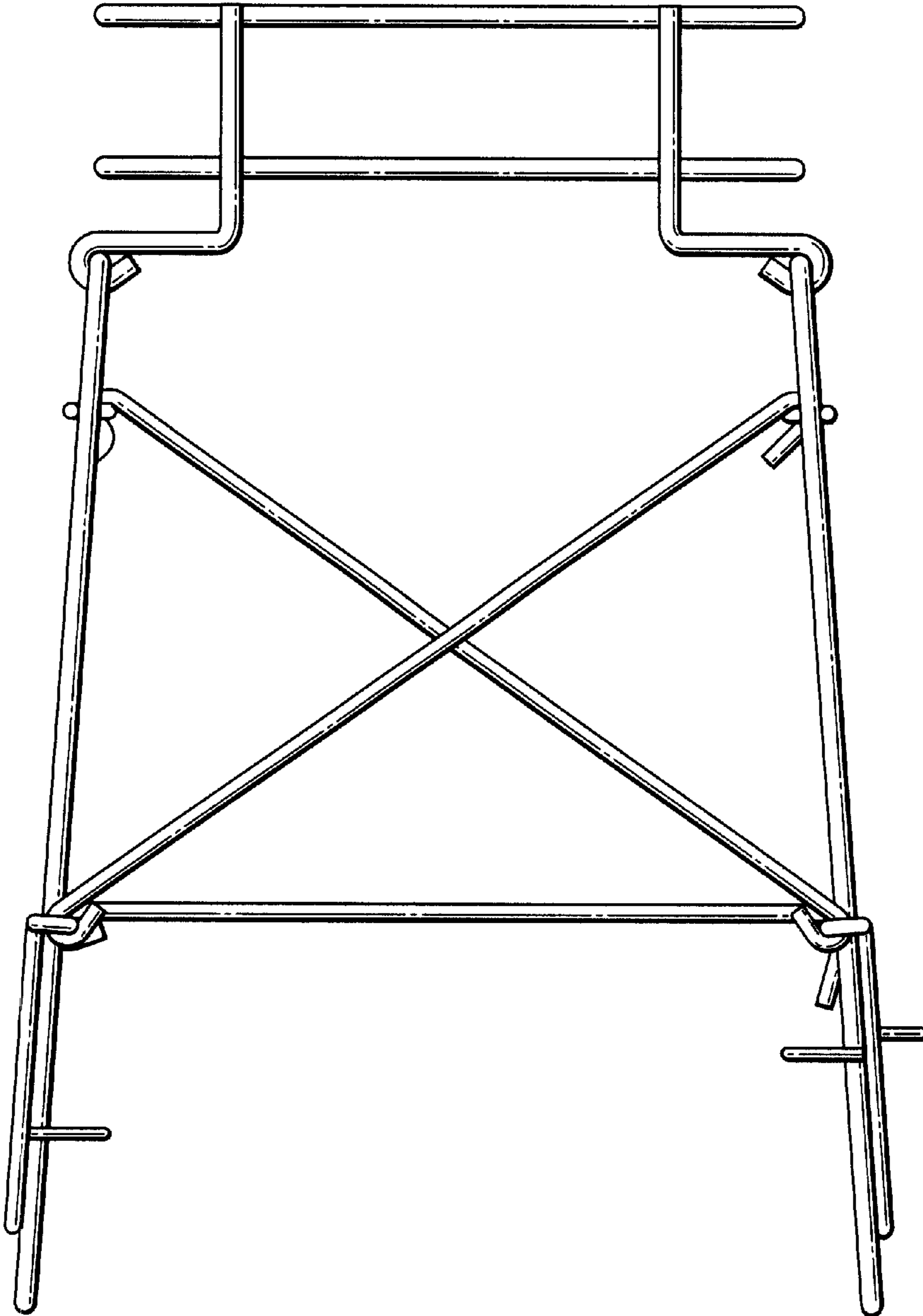


Fig. 4

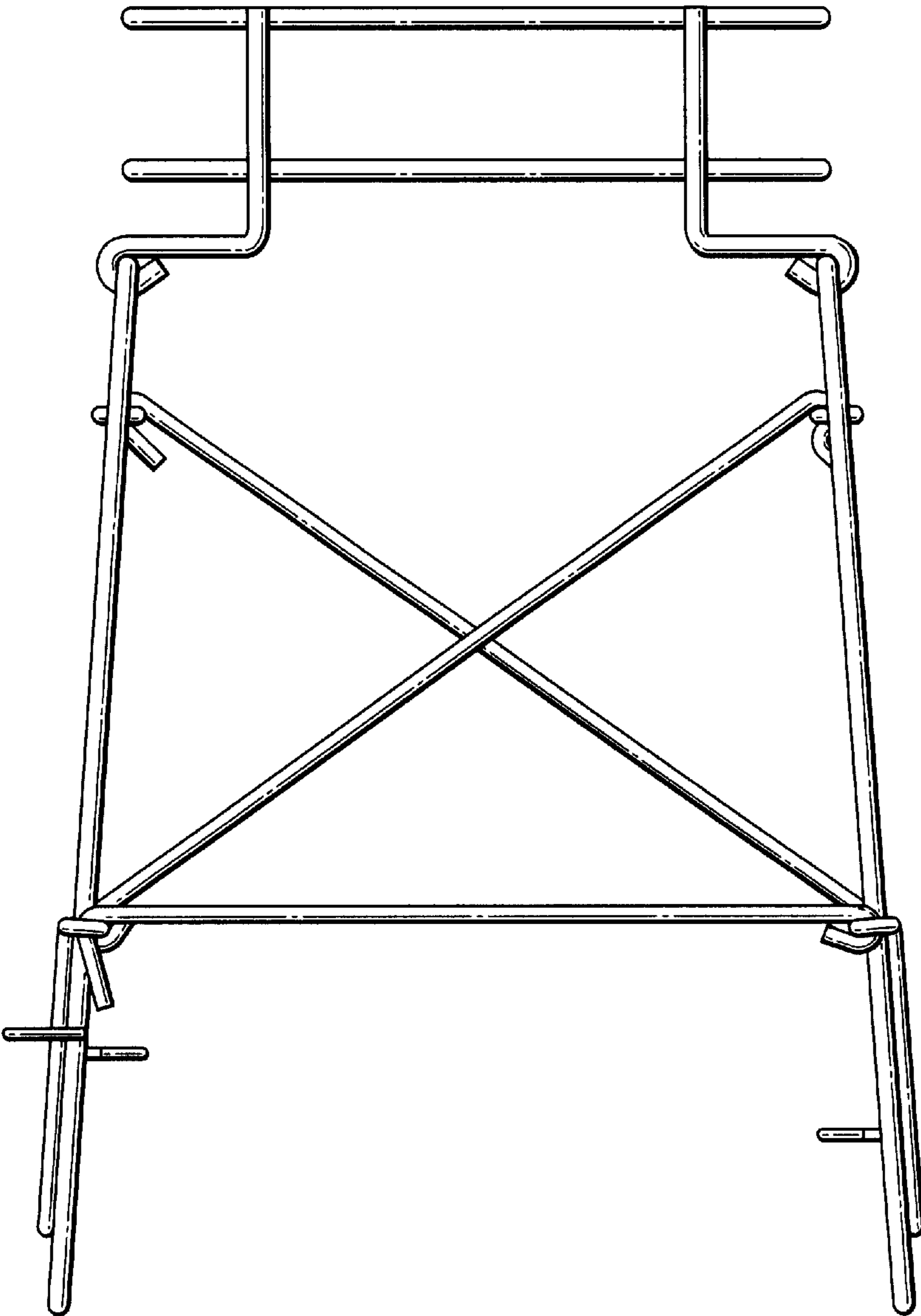


Fig. 5

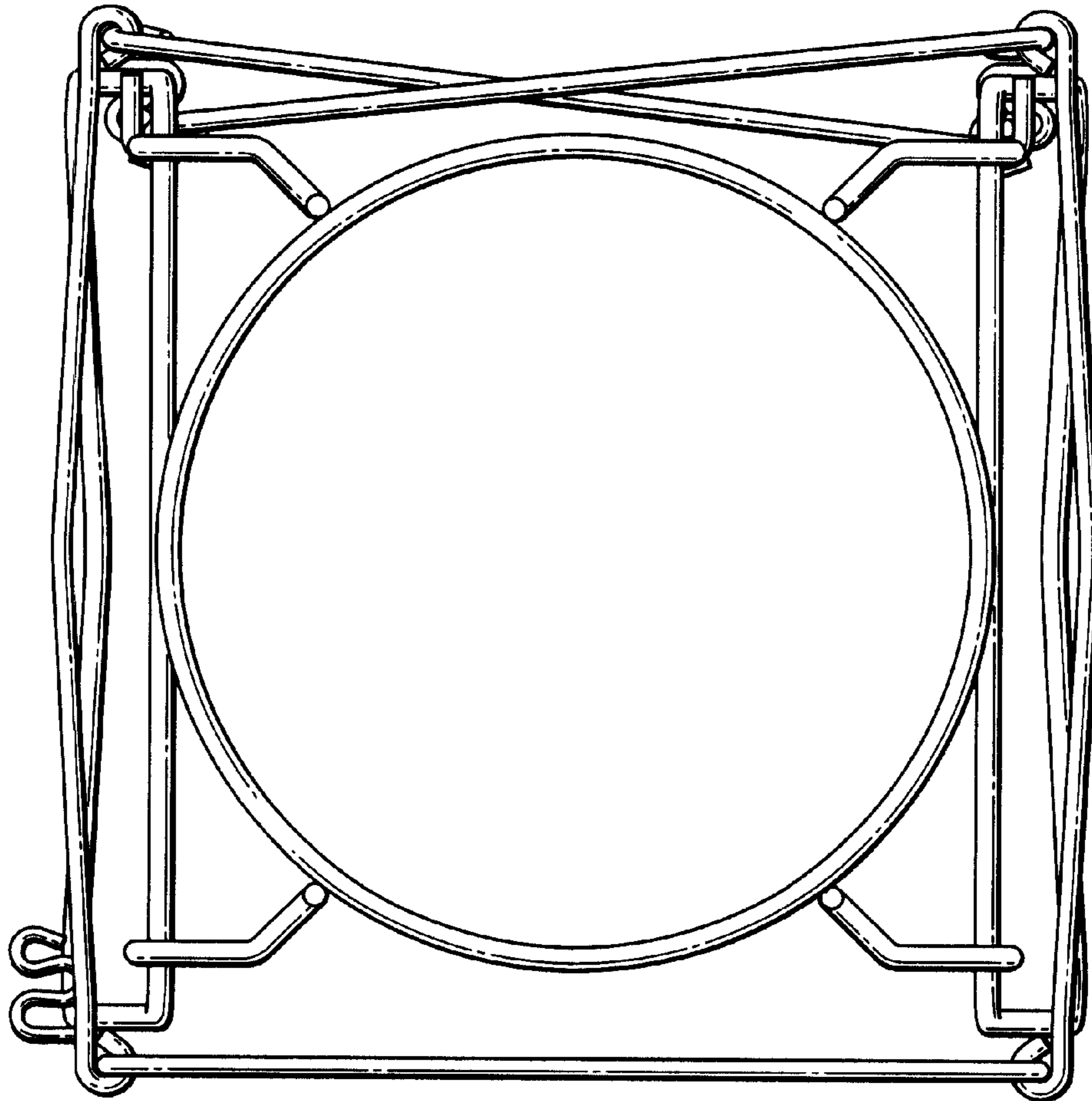


Fig. 6

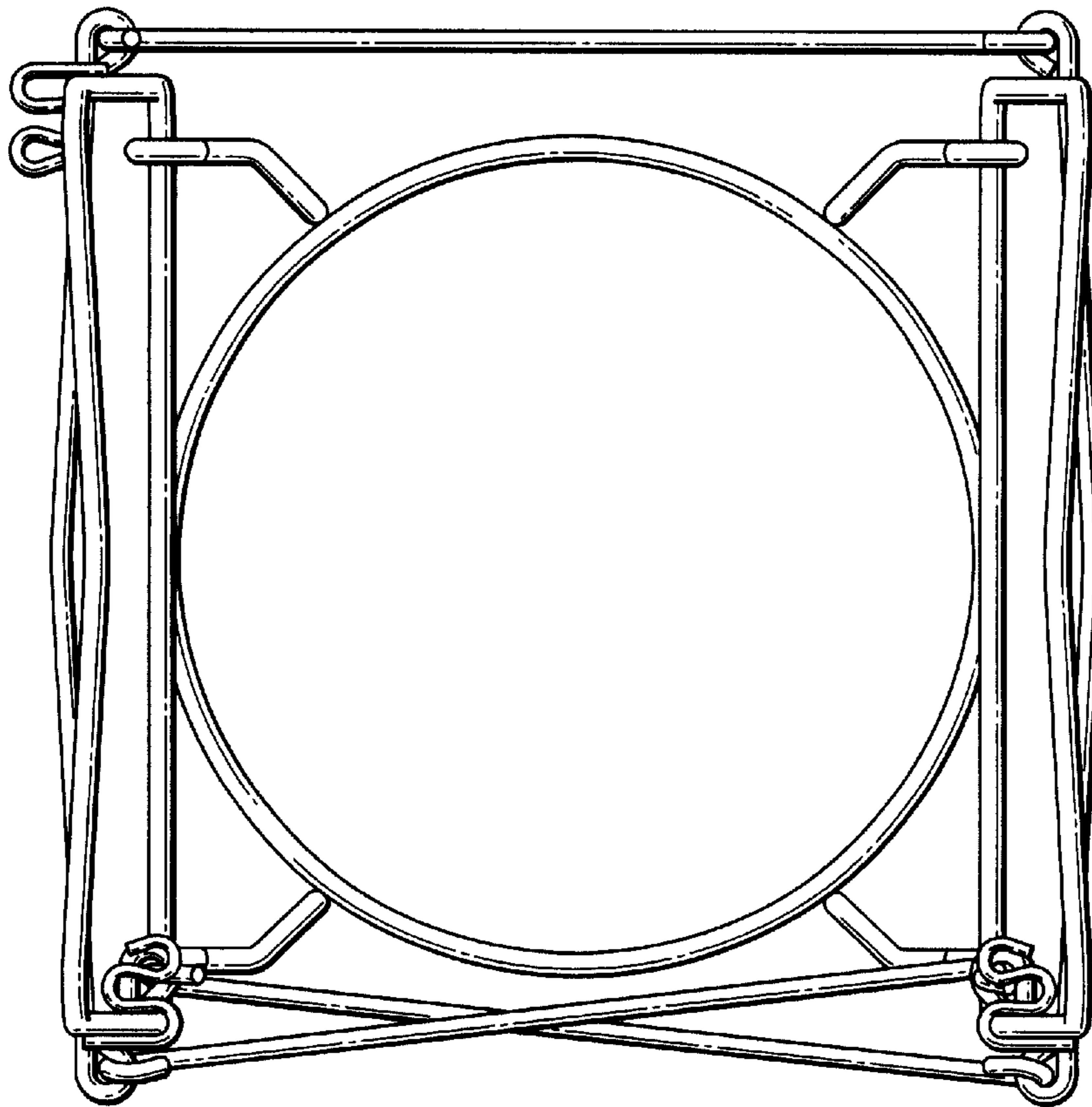


Fig. 7