

US00D543327S

(12) **United States Design Patent**
Snell

(10) **Patent No.:** **US D543,327 S**

(45) **Date of Patent:** **** May 22, 2007**

(54) **WASTEBASKET**

(75) Inventor: **Russell Benton Snell**, Bentleyville, OH
(US)

(73) Assignee: **InterDesign, Inc.**, Solon, OH (US)

(**) Term: **14 Years**

(21) Appl. No.: **29/256,496**

(22) Filed: **Mar. 21, 2006**

(51) **LOC (8) Cl.** **09-09**

(52) **U.S. Cl.** **D34/1; D7/509; D11/152**

(58) **Field of Classification Search** D34/1,
D34/4, 5, 6, 7, 8, 9, 10, 11; D7/509, 523,
D7/532, 640, 641; D3/304; D11/152; 220/908-913;
D19/77

See application file for complete search history.

(56) **References Cited**

U.S. PATENT DOCUMENTS

3,207,109	A	*	9/1965	Nils-Folke et al.	29/521
3,215,325	A	*	11/1965	Shappell	229/400
D212,592	S	*	11/1968	Metzler	D7/531
D248,916	S	*	8/1978	Reynolds et al.	D7/523
D337,187	S	*	7/1993	Hampshire	D34/1
D343,485	S	*	1/1994	Hampshire	D34/1
D472,427	S	*	4/2003	Dretzka	D7/523

D489,501	S	*	5/2004	Dretzka	D34/1
D490,582	S	*	5/2004	Dretzka	D34/1
D508,594	S	*	8/2005	Snell	D34/1
D526,848	S	*	8/2006	Bodum	D7/523

OTHER PUBLICATIONS

2004 InterDesign, Inc. product brochure, p. 18, 20, 24, 28,
29, 32, 56 w/front & back cover.

* cited by examiner

Primary Examiner—Cynthia E. Ramirez

(74) *Attorney, Agent, or Firm*—D. Peter Hochberg; Sean
Mellino

(57) **CLAIM**

The ornamental design for a wastebasket, as shown and
described.

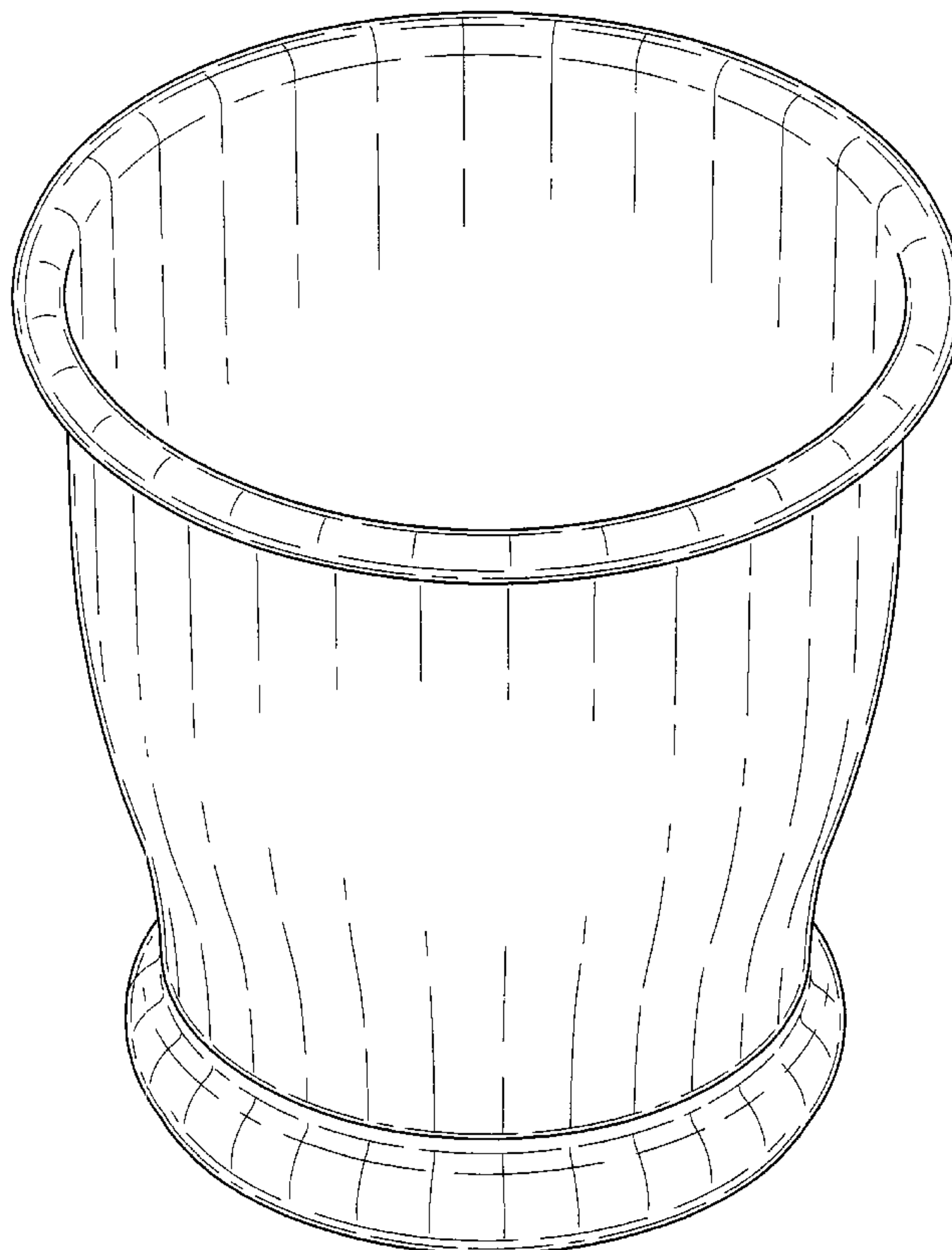
DESCRIPTION

FIG. 1 is a perspective view of the wastebasket according to
the invention;

FIG. 2 is a side view of the wastebasket as shown in FIG. 1;
FIG. 3 is a top view of the wastebasket as shown in FIG. 1;
and,

FIG. 4 is a bottom view of the wastebasket as shown in FIG.
1.

1 Claim, 3 Drawing Sheets



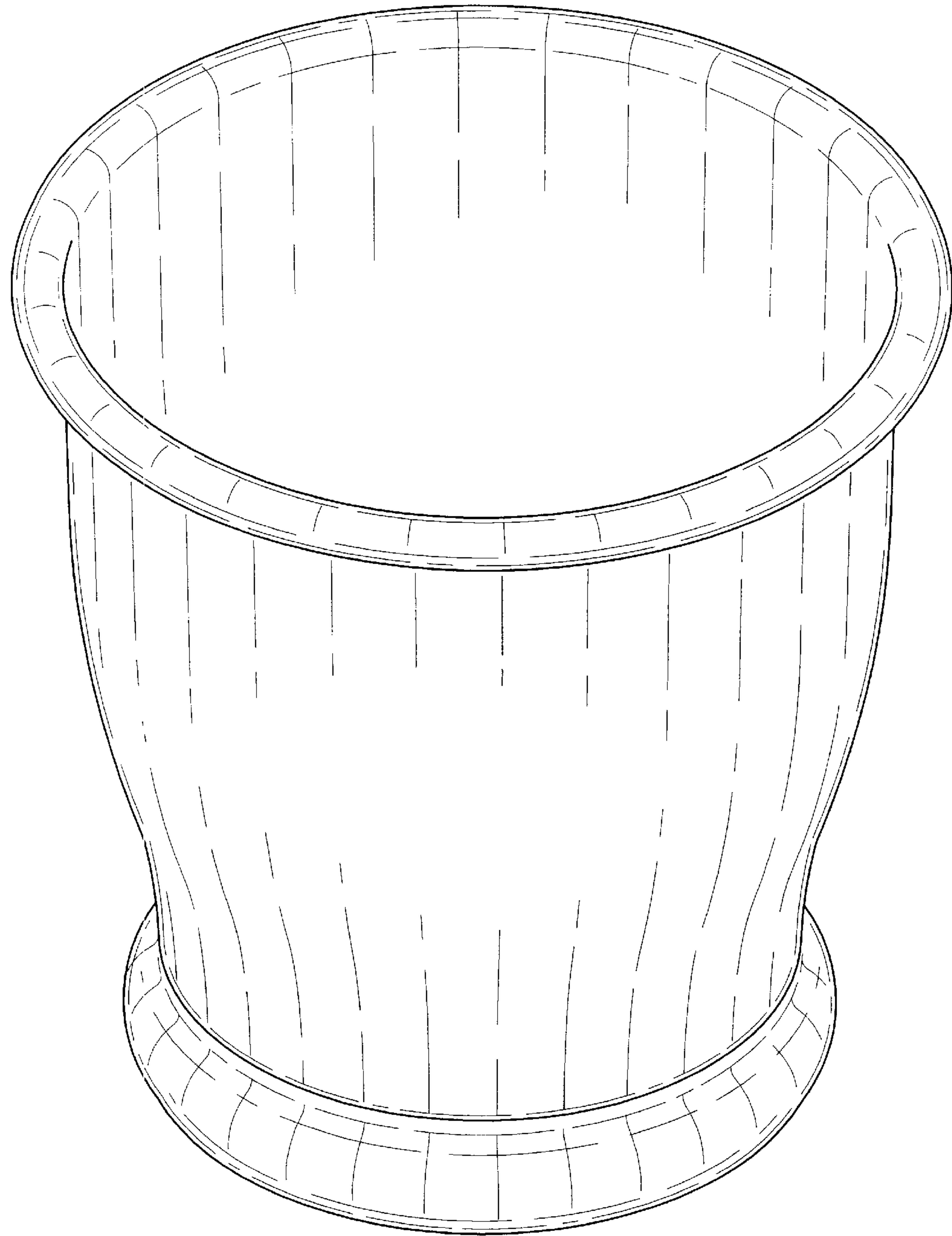


FIG-1

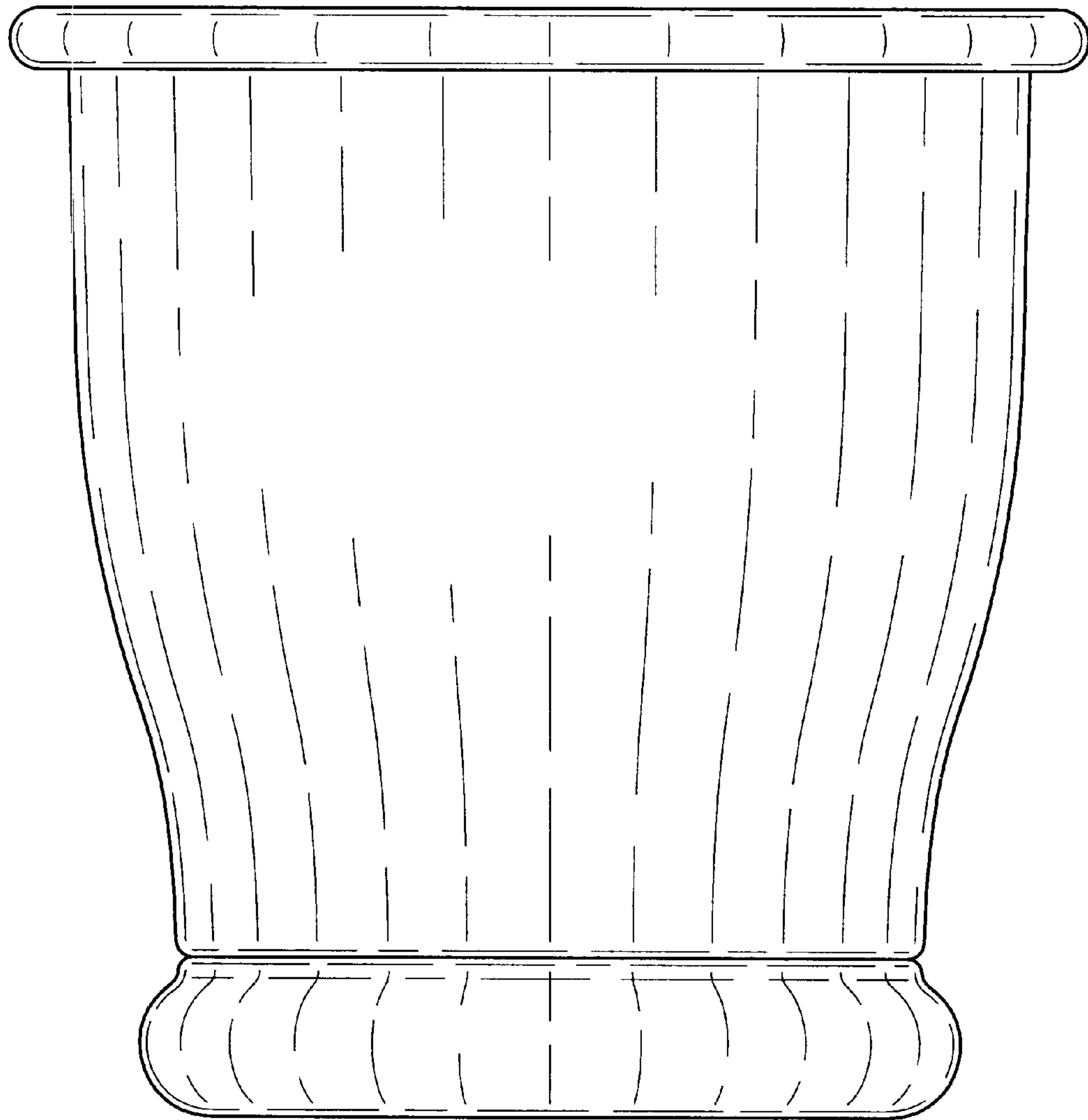


FIG-2

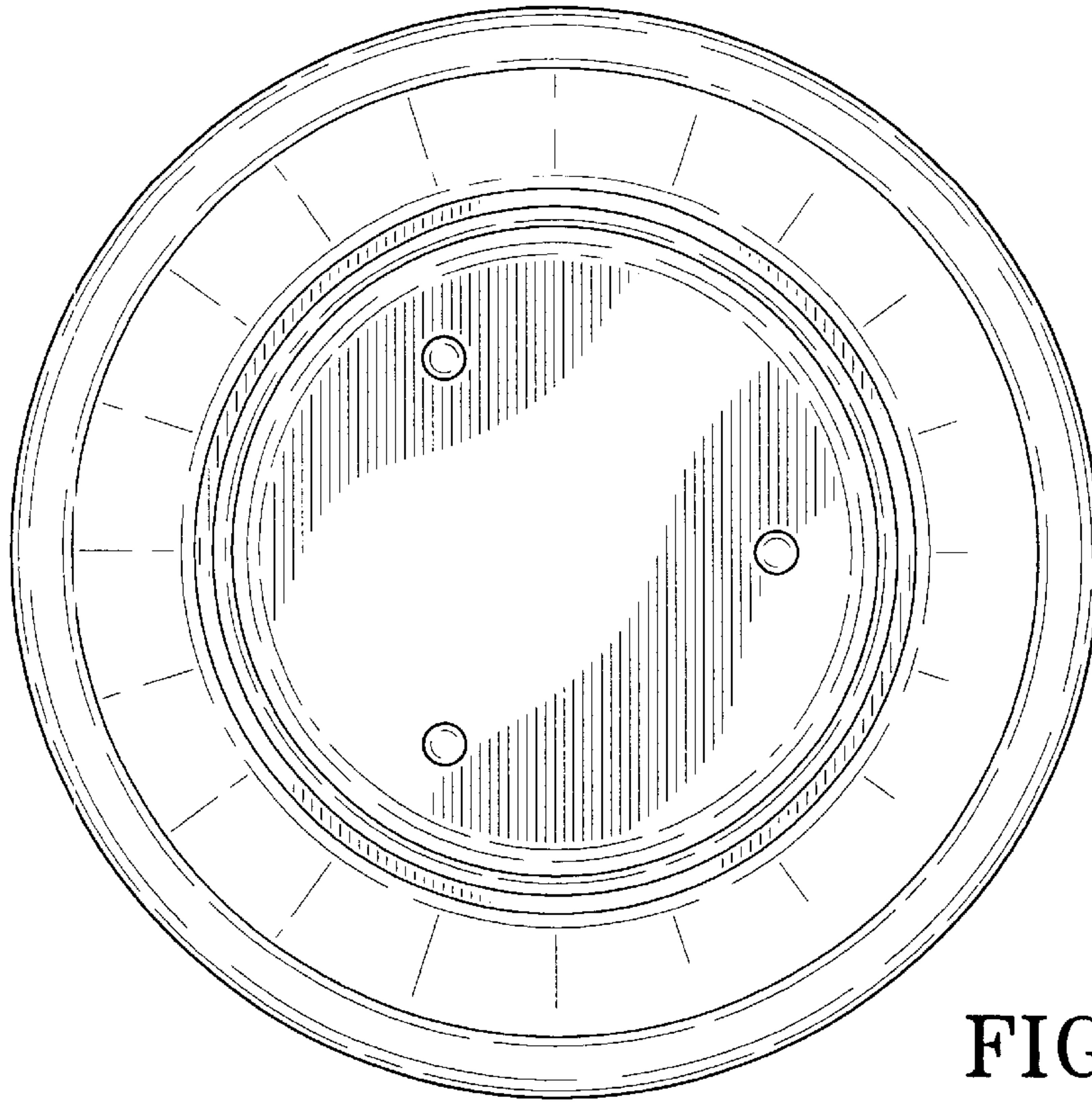


FIG-3

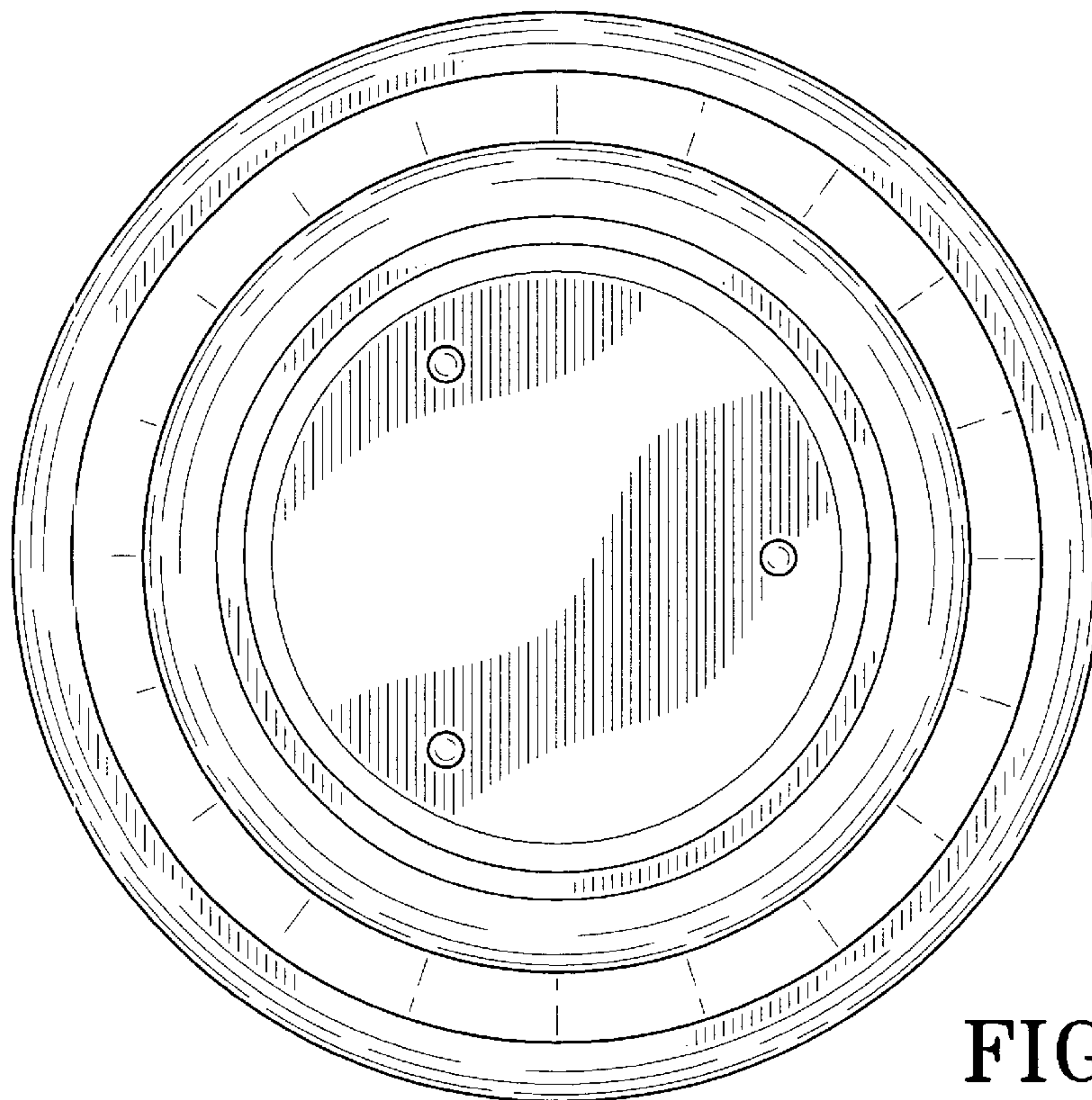


FIG-4