



US00D543323S

(12) **United States Design Patent** (10) **Patent No.:** **US D543,323 S**
Pedlar (45) **Date of Patent:** **** May 22, 2007**

(54) **FLOOR TREATMENT DEVICE** D290,054 S * 5/1987 Block D32/15
4,715,087 A 12/1987 Todd et al.
(75) Inventor: **Roger Pedlar**, Lakewood, CO (US) 4,759,094 A 7/1988 Palmer et al.
4,809,397 A 3/1989 Jacobs et al.
(73) Assignee: **Castle Rock Industries, Inc.**, Englewood, CO (US) 5,058,235 A 10/1991 Charky
5,109,566 A 5/1992 Kobayashi et al.
5,127,124 A 7/1992 Palmer et al.
(**) Term: **14 Years** (Continued)

(21) Appl. No.: **29/247,144**

FOREIGN PATENT DOCUMENTS

(22) Filed: **Jun. 1, 2006**

EP 282850 9/1991

Related U.S. Application Data

OTHER PUBLICATIONS

(62) Division of application No. 29/217,055, filed on Nov. 11, 2004.
(51) **LOC (8) Cl.** **15-05**
(52) **U.S. Cl.** **D32/16**
(58) **Field of Classification Search** D32/1,
D32/15, 16, 17, 19, 21-23; 15/320, 321,
15/353, 327.1, 327.6, 50.1
See application file for complete search history.

Street Cleaning device shown on www.onyx-environment-
.com, accessed May 7, 2004, 1 page.
Madvac PS300 Brochure, Feb. 2004, 4 pages.
Alled Sweepers 400 Series Specs., May 1998, 1 page.

Primary Examiner—Louis S. Zarfes
Assistant Examiner—Kathleen Sims
(74) *Attorney, Agent, or Firm*—Sheridan Ross P.C.

(56) **References Cited**

(57) **CLAIM**

U.S. PATENT DOCUMENTS

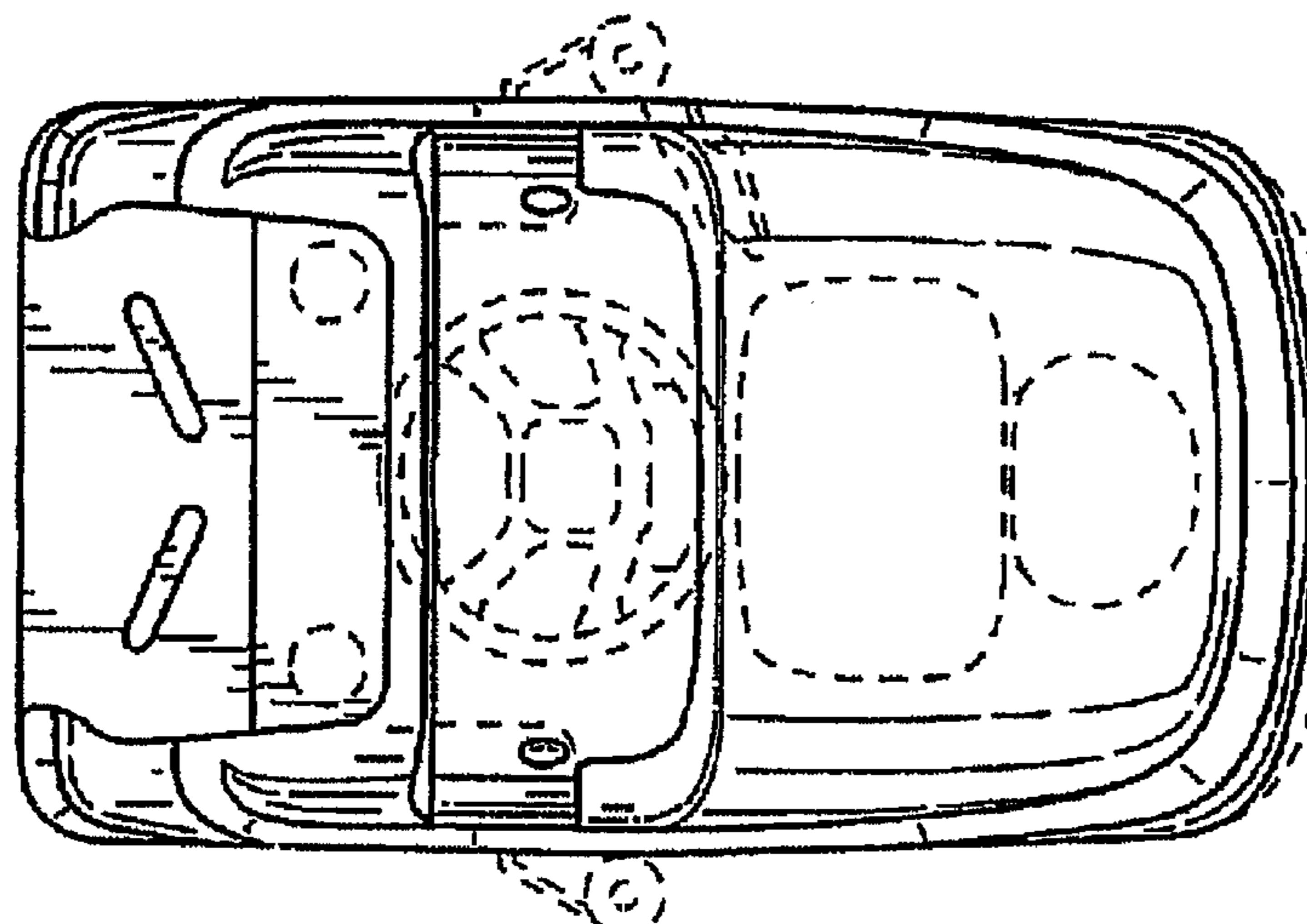
The ornamental design for a floor treatment device, as shown and described.

3,020,576 A 2/1962 Gerber
3,040,363 A 6/1962 Krammes
3,604,051 A 9/1971 Wendel et al.
3,833,961 A 9/1974 Fortman et al.
3,837,029 A 9/1974 Kasper
3,879,789 A 4/1975 Kasper
3,896,520 A 7/1975 Williams
4,041,567 A 8/1977 Burgoon
4,173,052 A 11/1979 Burgoon et al.
4,196,492 A 4/1980 Johnson et al.
4,210,978 A 7/1980 Johnson et al.
4,219,901 A 9/1980 Burgoon et al.
4,314,385 A 2/1982 Wimsatt et al.
4,348,783 A 9/1982 Swanson et al.
D273,621 S * 4/1984 Haub et al. D32/16
4,467,494 A 8/1984 Jones
4,586,208 A 5/1986 Trevarthen
D290,053 S * 5/1987 Block D32/15

DESCRIPTION

FIG. 1 is a top plan view of a floor treatment device;
FIG. 2 is a perspective view of the design of FIG. 1;
FIG. 3 is a left elevation view of the design shown in FIG. 1;
FIG. 4 is a right elevation view of the design shown in FIG. 1;
FIG. 5 is a front elevation view of the design shown in FIG. 1; and,
FIG. 6 is a rear elevation view of the design shown in FIG. 1.
The broken lines showing of the floor treatment device is for illustrative purposes only and forms no part of the claimed design.

1 Claim, 4 Drawing Sheets



US D543,323 S

Page 2

U.S. PATENT DOCUMENTS					
			6,585,827 B2 *	7/2003	Field et al. 134/6
			6,594,844 B2	7/2003	Jones
			6,625,843 B2	9/2003	Kim et al.
			6,629,333 B2	10/2003	Bolden
			6,845,829 B2	1/2005	Hafendorfer
			2001/0019935 A1	9/2001	Legatt et al.
			2002/0178522 A1	12/2002	Buchegger et al.
			2003/0019068 A1 *	1/2003	Field et al. 15/320
			2003/0019069 A1 *	1/2003	Field et al. 15/320
			2003/0046788 A1	3/2003	Kent et al.
			2003/0070249 A1	4/2003	Lehman et al.
			2003/0070252 A1 *	4/2003	Pedlar et al. 15/401
			2005/0132527 A1 *	6/2005	Pedlar et al. 15/340.3
			* cited by examiner		
5,138,742 A	8/1992	Charkey			
5,377,376 A	1/1995	Wood et al.			
5,485,456 A	1/1996	Fellhuuer et al.			
5,485,653 A	1/1996	Knowlton et al.			
D370,320 S *	5/1996	Hachtmann	D32/21		
5,524,320 A	6/1996	Zachhuber			
5,742,975 A	4/1998	Knowlton et al.			
5,768,742 A	6/1998	Kohl et al.			
6,041,471 A	3/2000	Charky et al.			
6,397,429 B1	6/2002	Legatt et al.			
6,442,789 B1	9/2002	Legatt et al.			
6,519,808 B2	2/2003	Legatt et al.			
6,535,793 B2	3/2003	Allard			
6,553,609 B2	4/2003	Tremmel et al.			

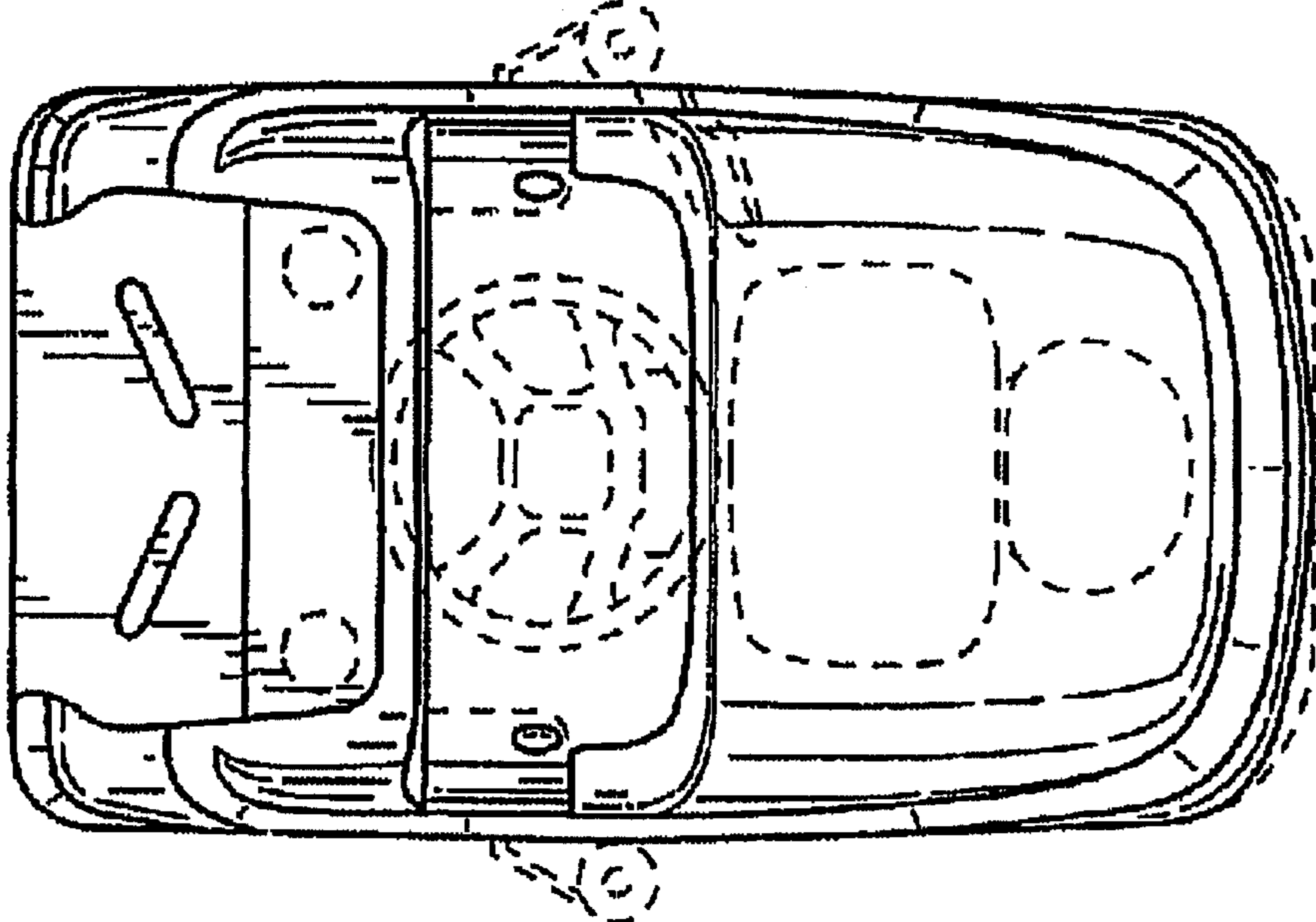


FIG.1

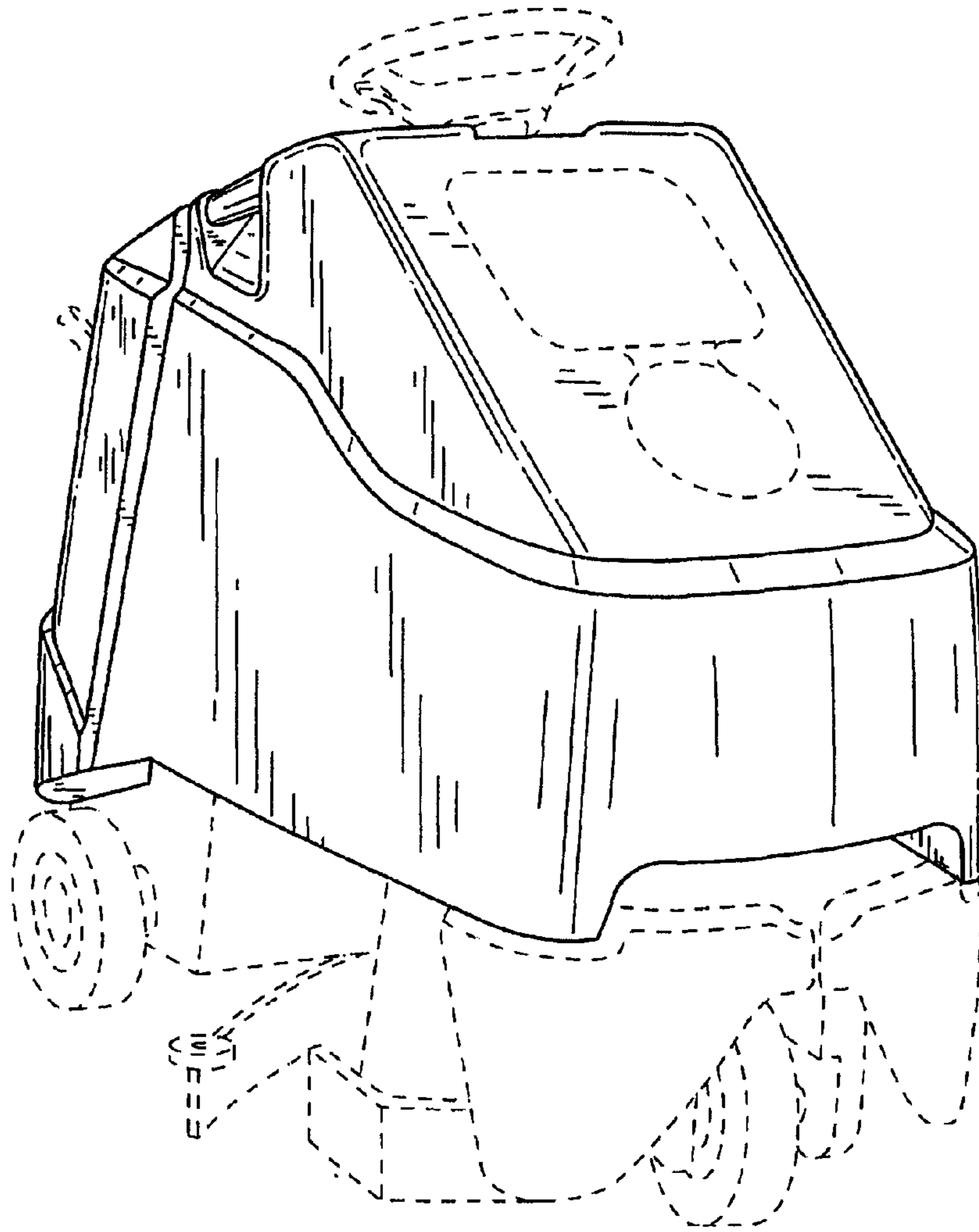


FIG. 2

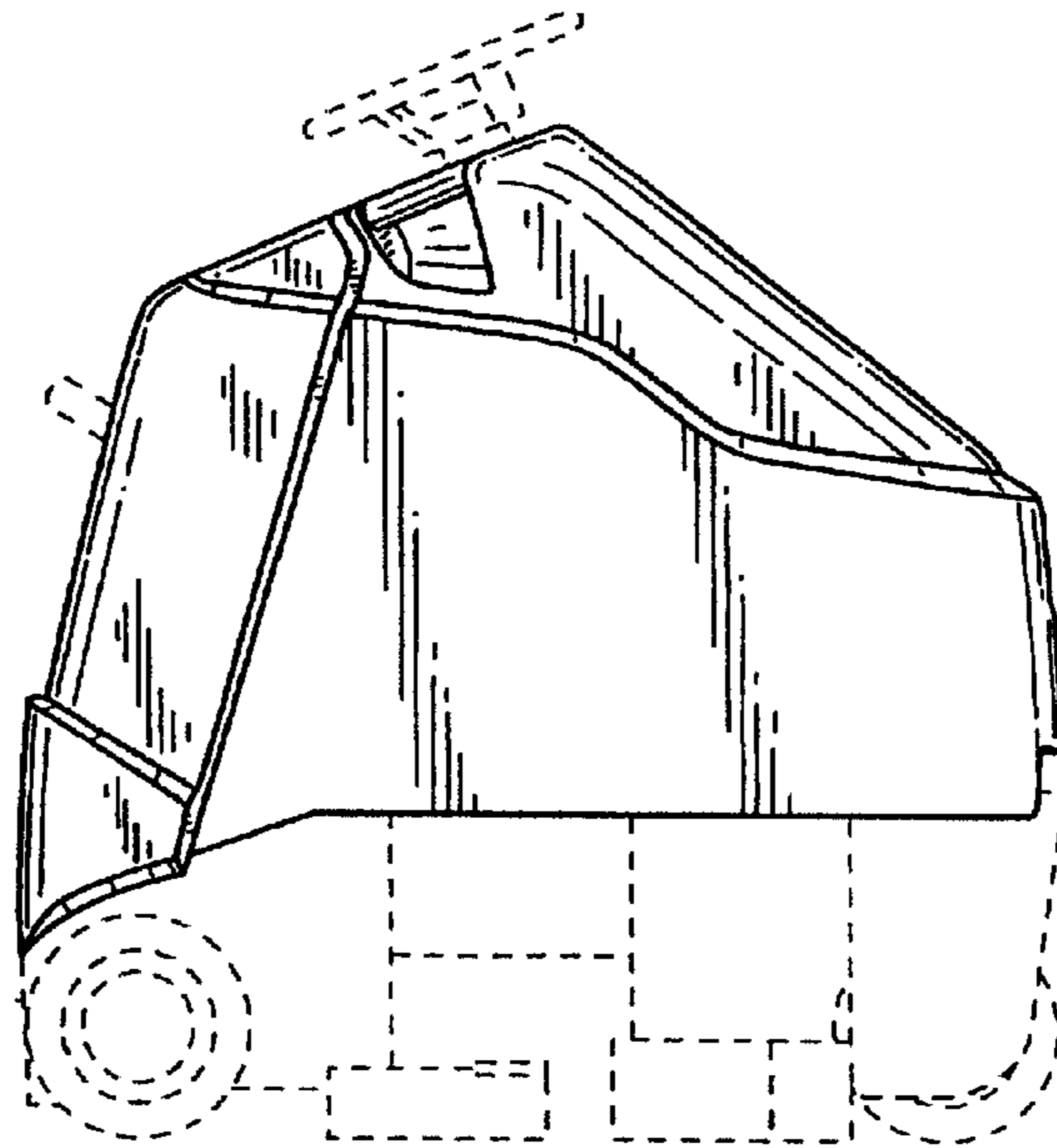


FIG. 3

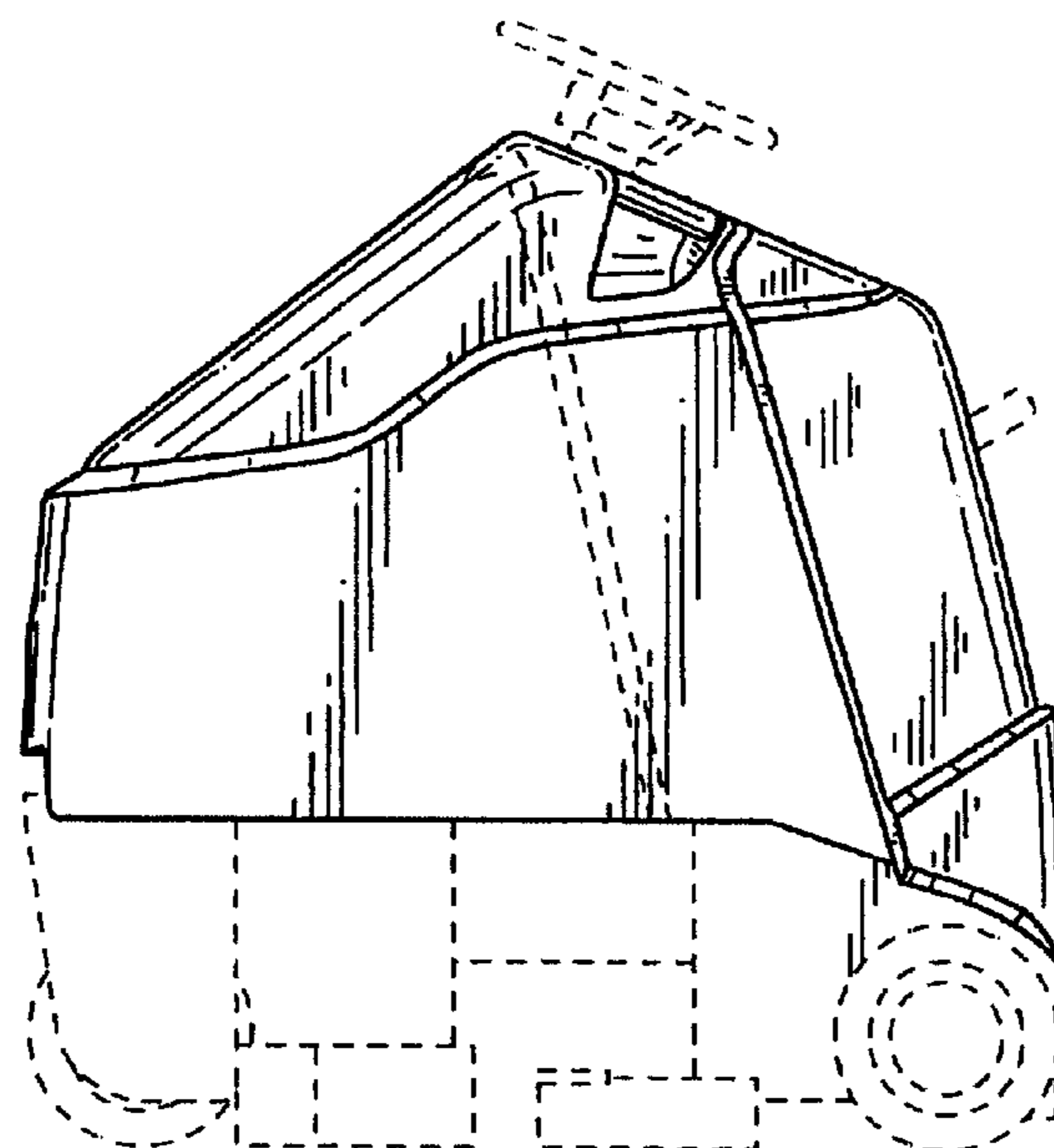


FIG. 4

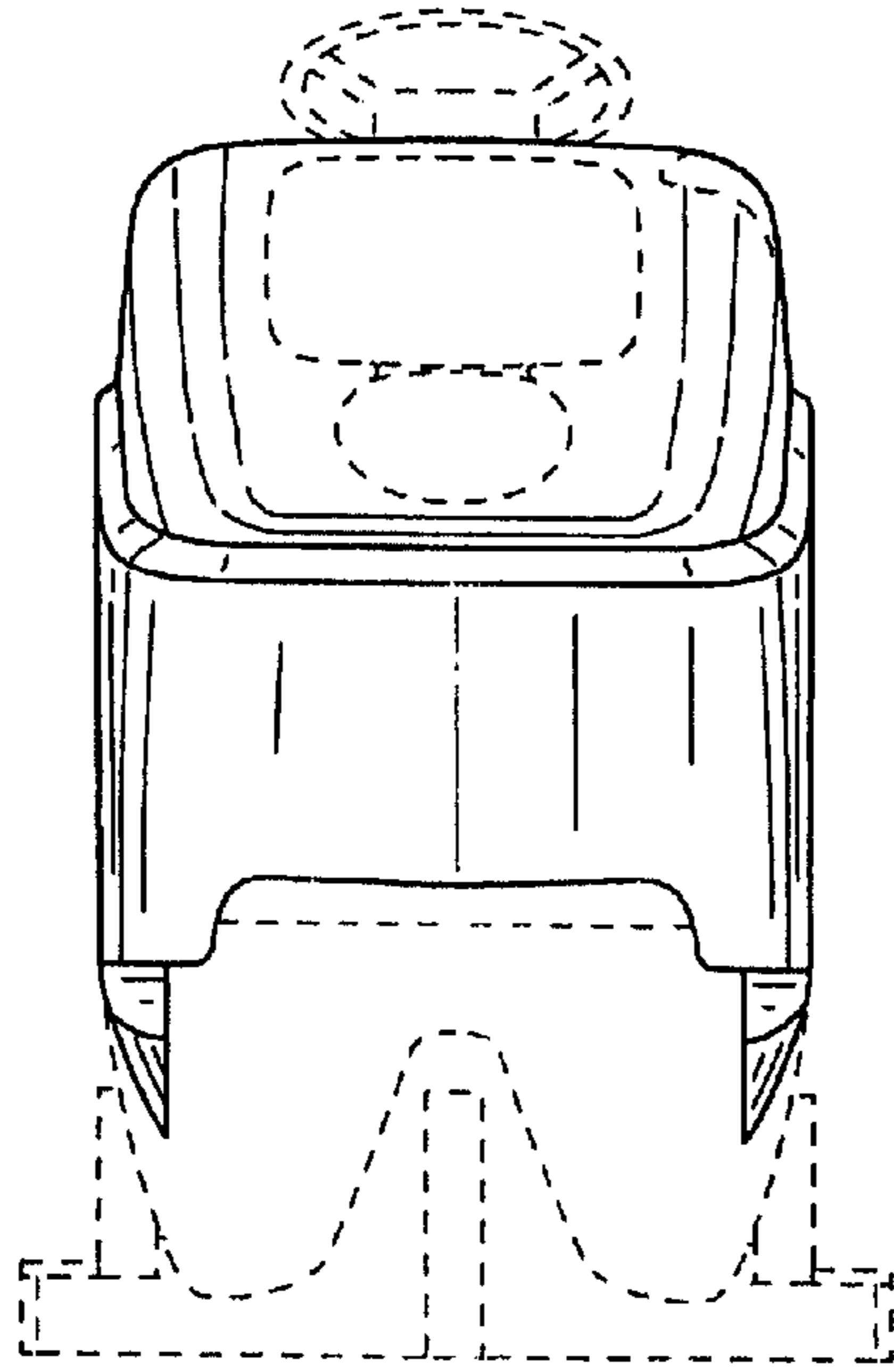


FIG. 5

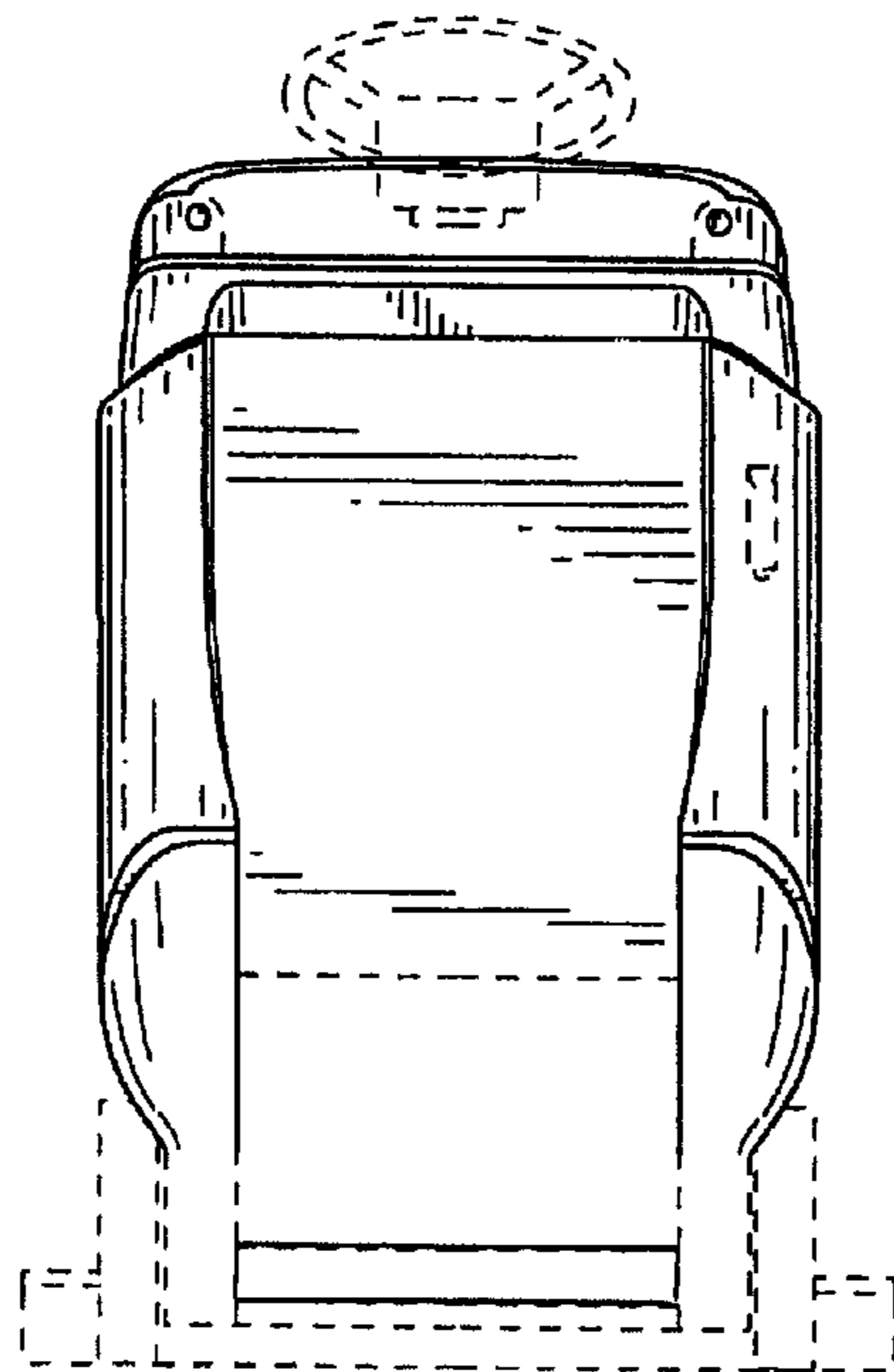


FIG. 6