

US00D543310S

(12) **United States Design Patent**
Herst et al.

(10) **Patent No.:** **US D543,310 S**
(45) **Date of Patent:** **** May 22, 2007**

(54) **LIGHTING FIXTURE HANGER**

(75) Inventors: **Douglas J. Herst**, Ross, CA (US);
Utkan Salman, Oakland, CA (US)

(73) Assignee: **Acuity Brands, Inc.**, Atlanta, GA (US)

(**) Term: **14 Years**

(21) Appl. No.: **29/194,693**

(22) Filed: **Nov. 26, 2003**

(51) **LOC (8) Cl.** **26-99**

(52) **U.S. Cl.** **D26/155**

(58) **Field of Classification Search** D26/72,
D26/76-79, 113, 118, 155, 138; 362/217-225,
362/337, 339

See application file for complete search history.

(56) **References Cited**

U.S. PATENT DOCUMENTS

D137,205 S	*	2/1944	Petzke	D8/373
2,745,950 A	*	5/1956	Tseng	439/667
D211,120 S	*	5/1968	Sherbert	D26/138
D226,582 S	*	3/1973	Iannini	D26/68
D268,687 S	*	4/1983	Rogers	D19/91
4,736,278 A	*	4/1988	Wolens et al.	362/35
D359,378 S	*	6/1995	Colarusso	D26/98
D390,681 S	*	2/1998	Denison et al.	D26/68
D411,027 S		6/1999	Herst et al.		
D449,401 S	*	10/2001	Tillman et al.	D26/76

OTHER PUBLICATIONS

- Catalog sheet, 6" Round Available Fixtures, Peerless Lighting Corp., 1995.
- Catalog sheet, 4" Round, Peerless Lighting Corp., 1996.
- Lightscreen Product Brochure, 9x3 Rounded, Peerless Lighting Corp., 1993.
- Catalog sheet, 6x3 Wall Wash, Peerless Lighting Corp., 1996.

- Trugrid Product Brochure, Peerless Lighting Corp., 1994.
- Catalog sheet, 9" Round, Peerless Lighting Corp., 1996.
- Catalog Sheet, 8½x4 Rounded V Indirect, Peerless Lighting Corp., 1995
- Lightfoil Product Brochure, Peerless Lighting Corp., 1997.
- * cited by examiner

Primary Examiner—Freda S. Nunn
Assistant Examiner—Kevin K. Rudzinski
 (74) *Attorney, Agent, or Firm*—Donald L. Beeson; Beeson Skinner Beverly, LLP

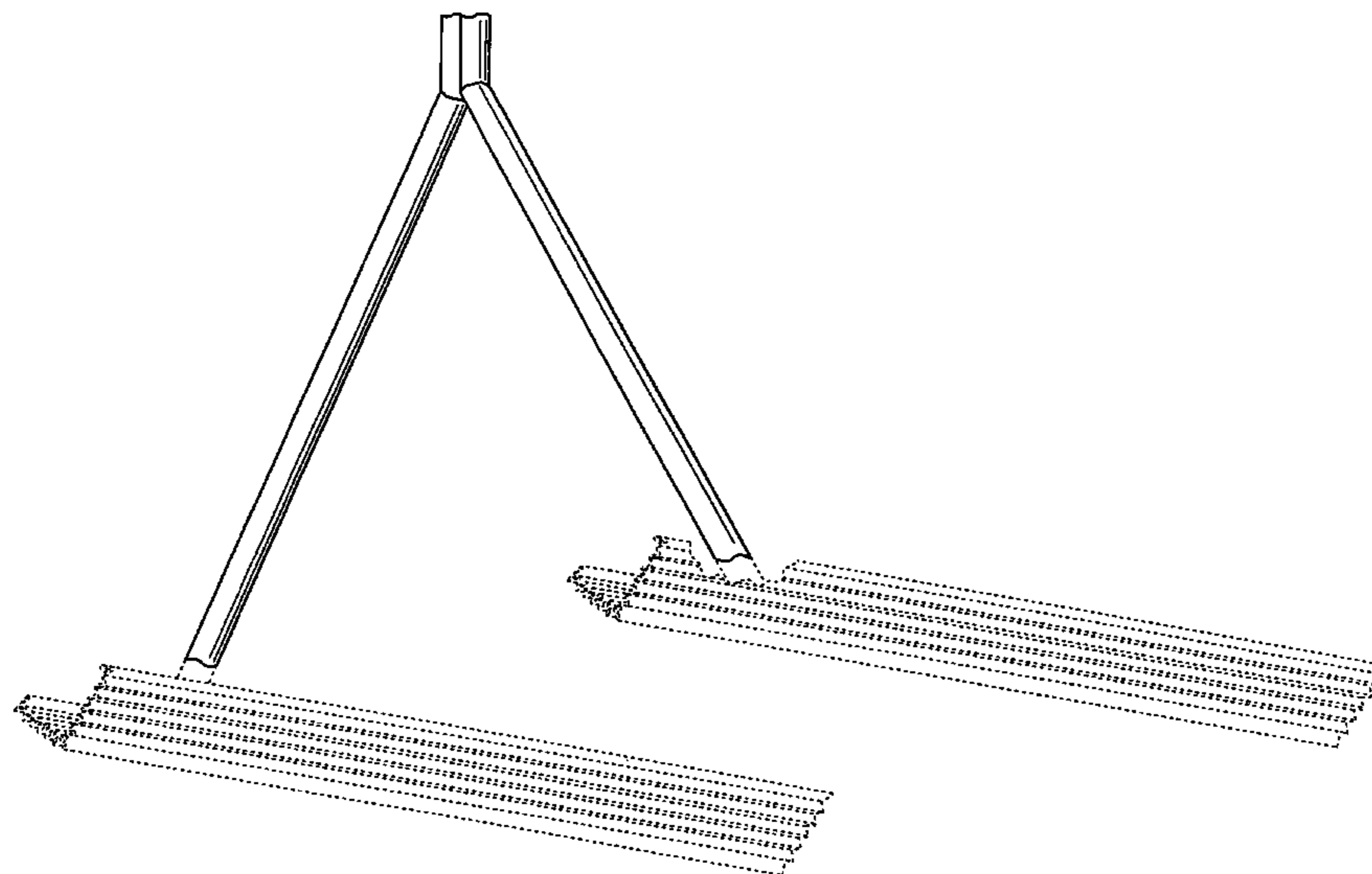
(57) **CLAIM**

The ornamental design for a lighting fixture hanger, as shown and described.

DESCRIPTION

FIG. 1 is a bottom perspective view of a lighting fixture hanger showing our new design;
 FIG. 2 is a front elevational view thereof, the rear being a mirror image
 FIG. 3 is a side elevational view thereof, the other side being a mirror image;
 FIG. 4 is a bottom plan view thereof; and
 FIG. 5 is top plan view thereof.
 FIG. 6 is a bottom perspective view of an alternative embodiment of a lighting fixture hanger showing our new design;
 FIG. 7 is a front elevational view thereof, the rear being a mirror image
 FIG. 8 is a side elevational view thereof, the other side being a mirror image;
 FIG. 9 is a bottom plan view thereof; and,
 FIG. 10 is top plan view thereof.
 FIGS. 1-10 are broken away to indicate indeterminate length. The broken lines are shown in FIGS. 1-10 for illustrative purposes only and indicate the nature and use of our new design; they form no part of our claimed design.

1 Claim, 10 Drawing Sheets



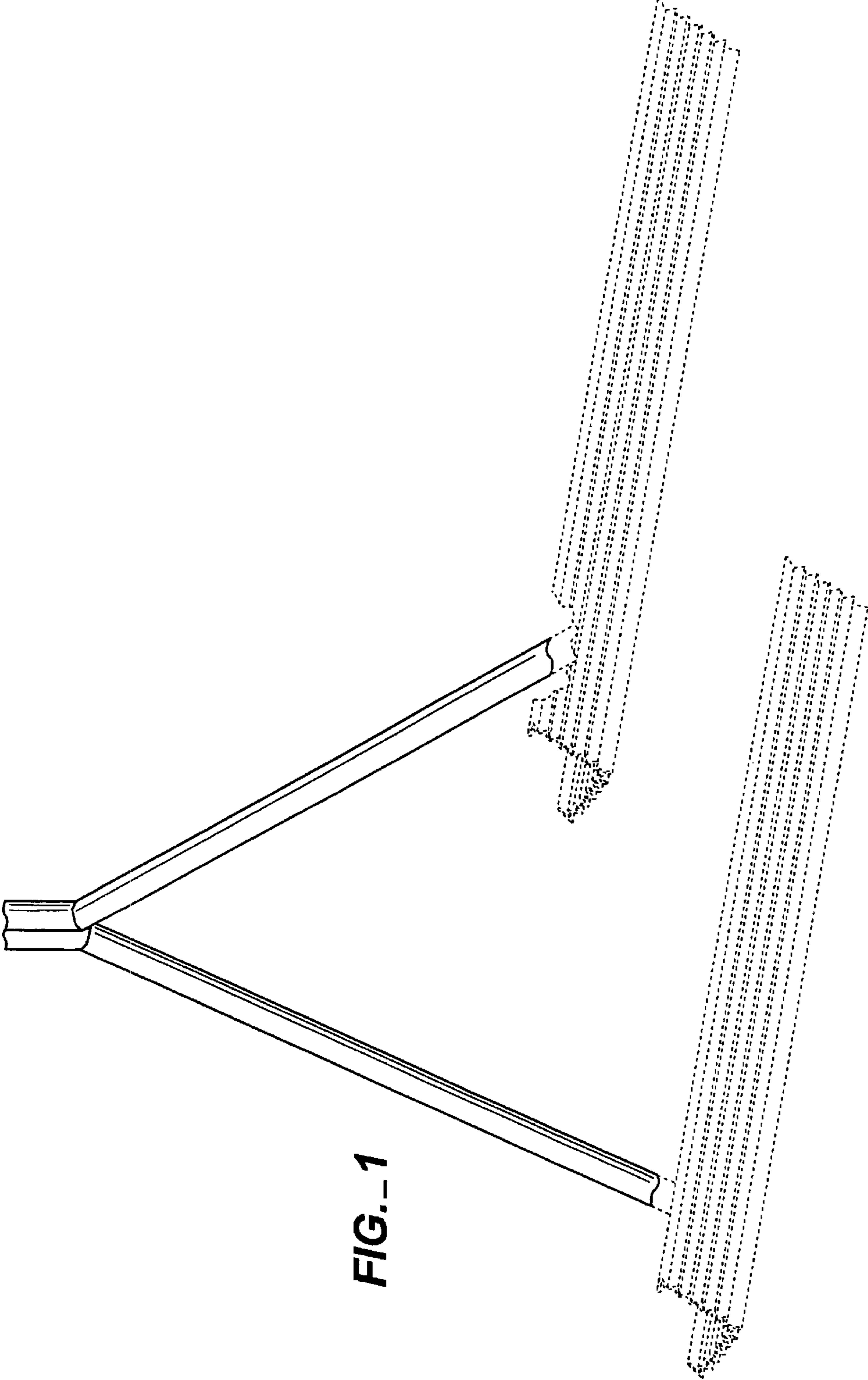


FIG.-1

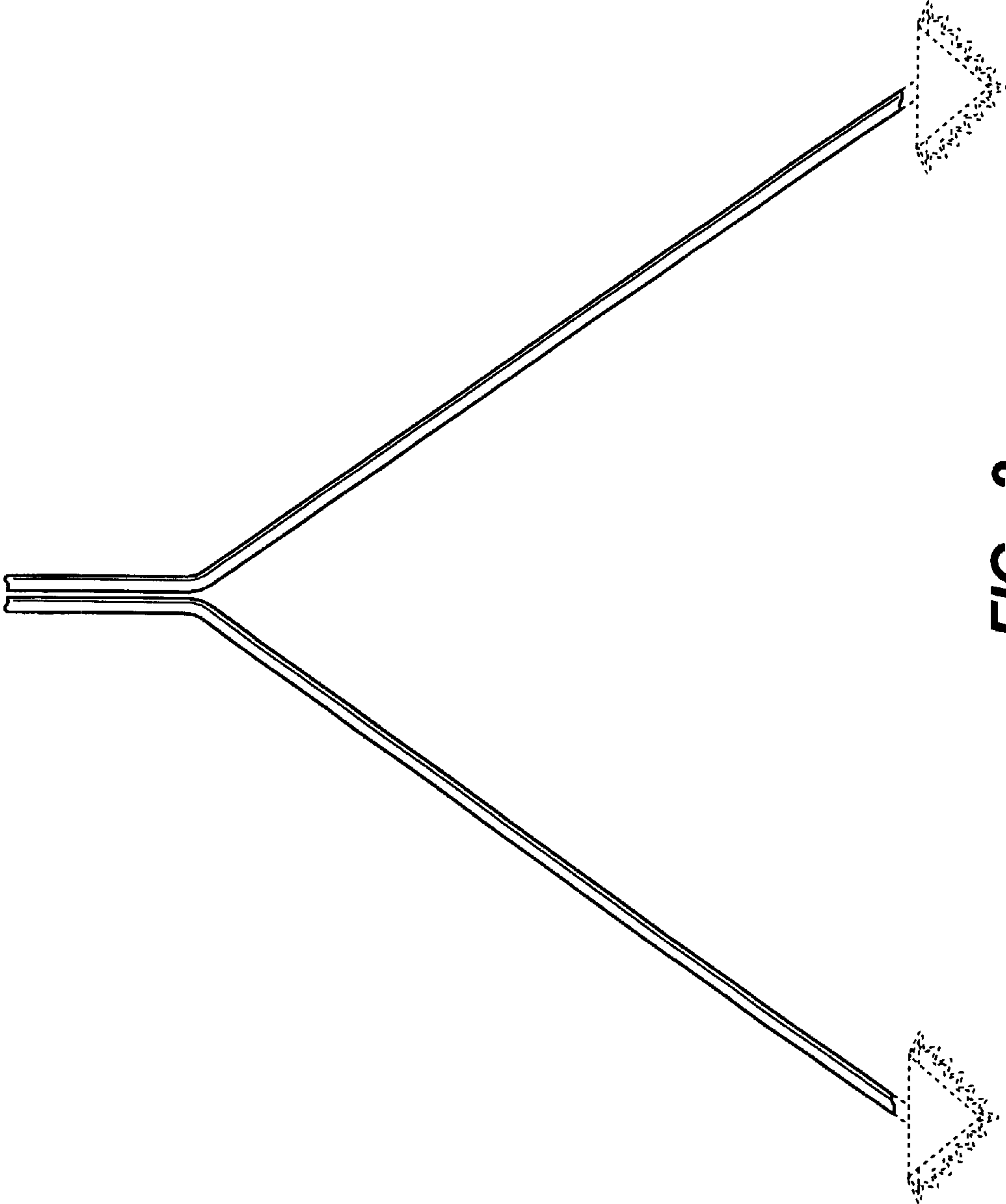


FIG. 2

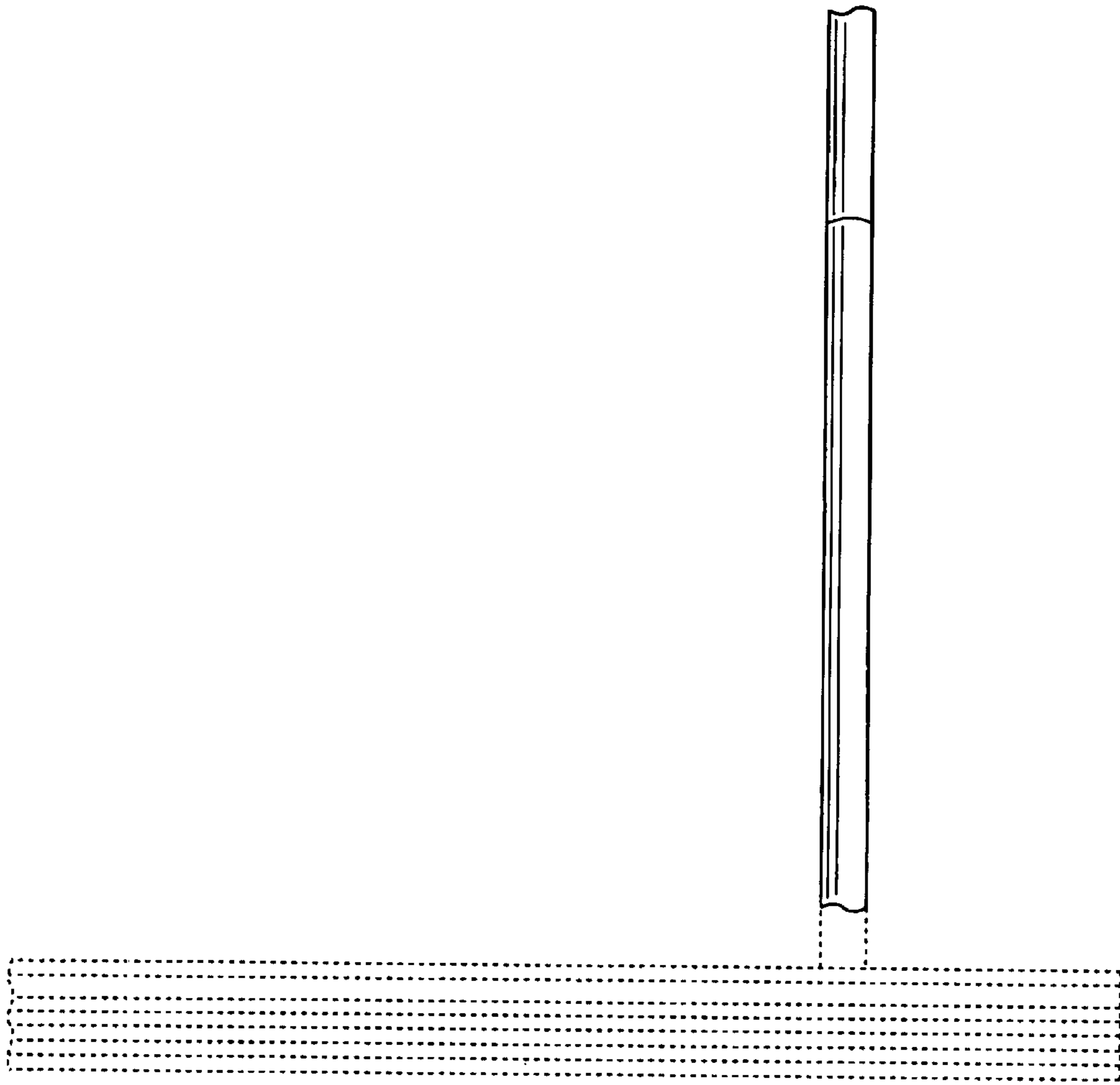


FIG. 3

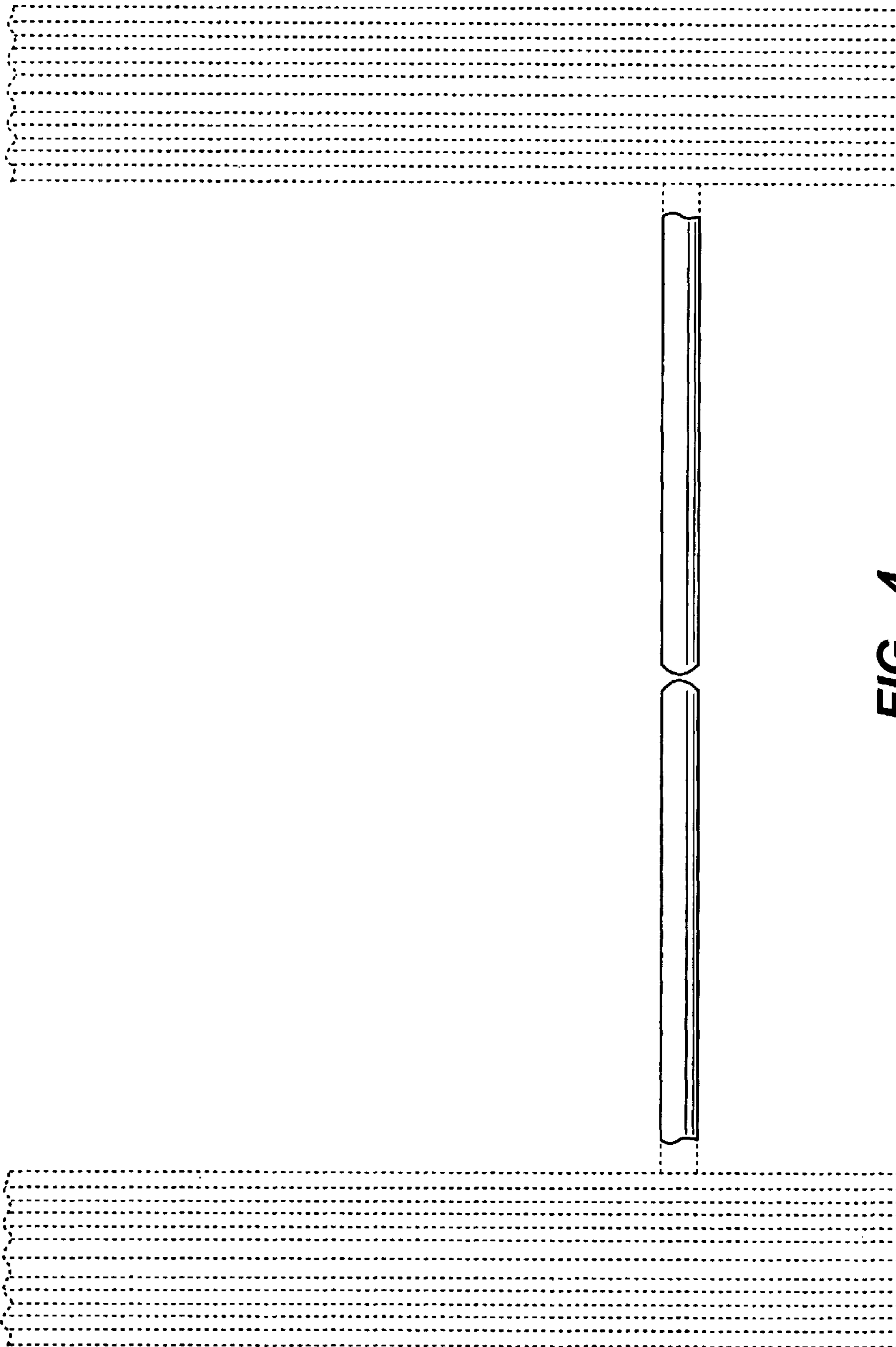


FIG. 4

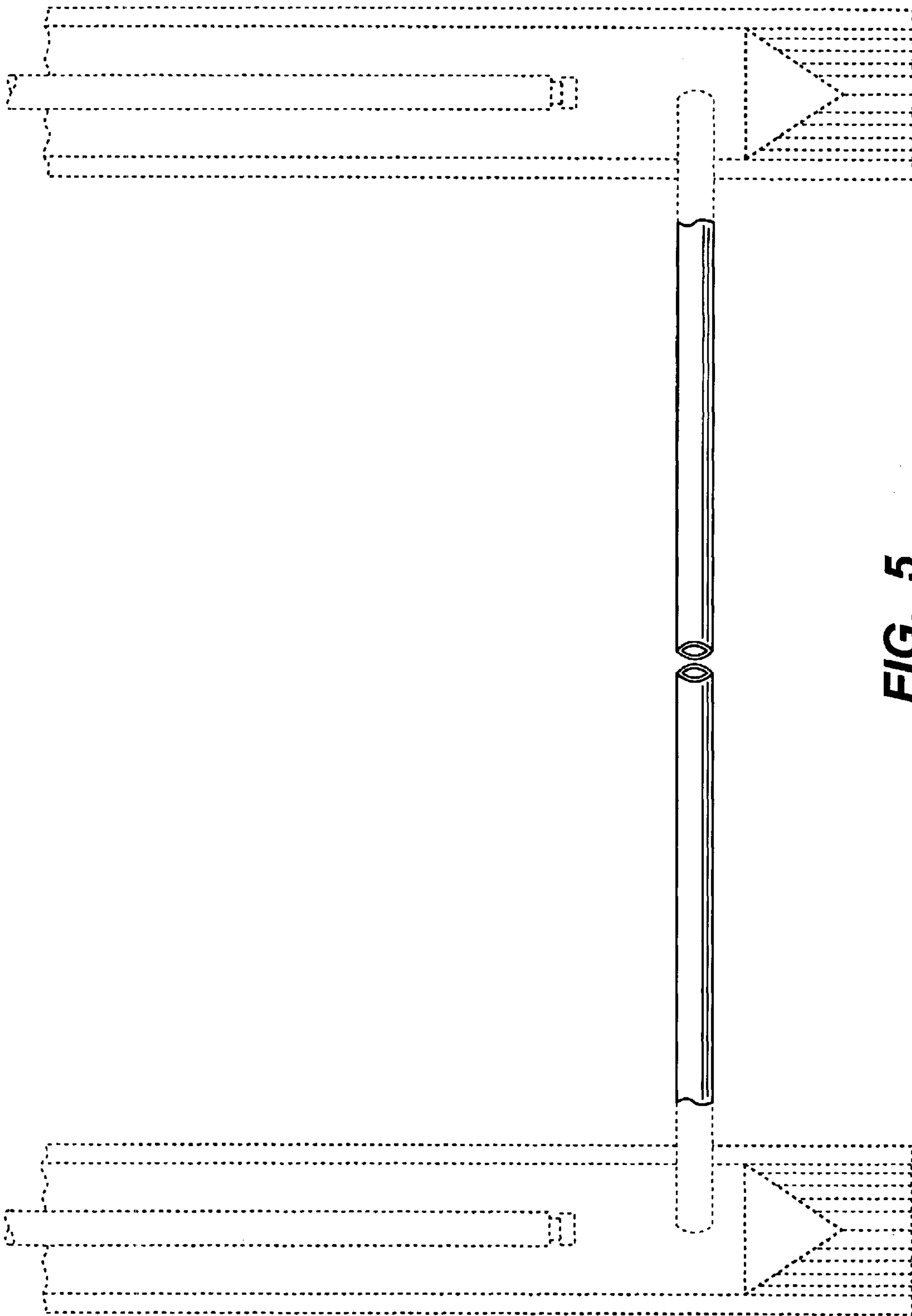


FIG. 5

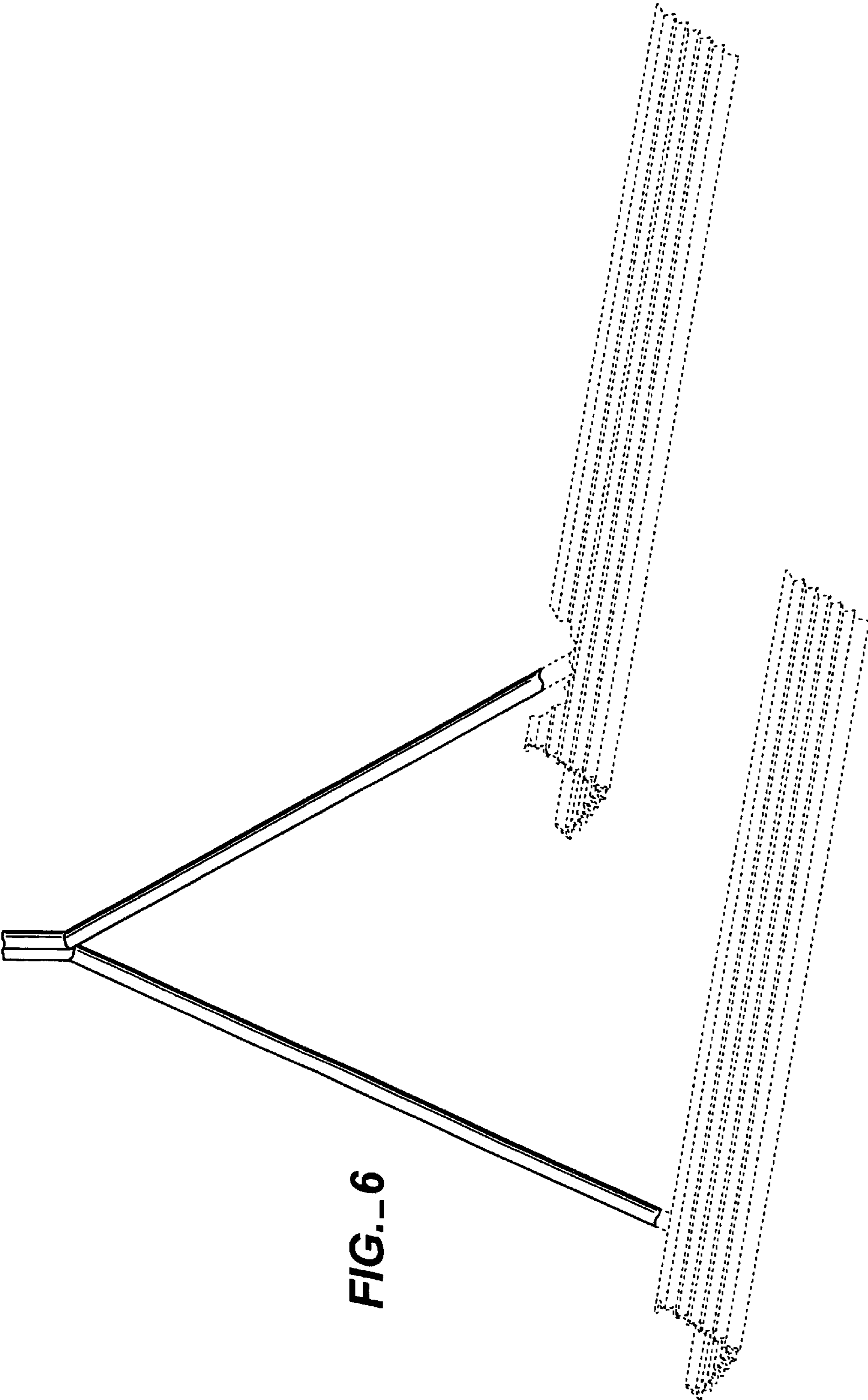


FIG.-6

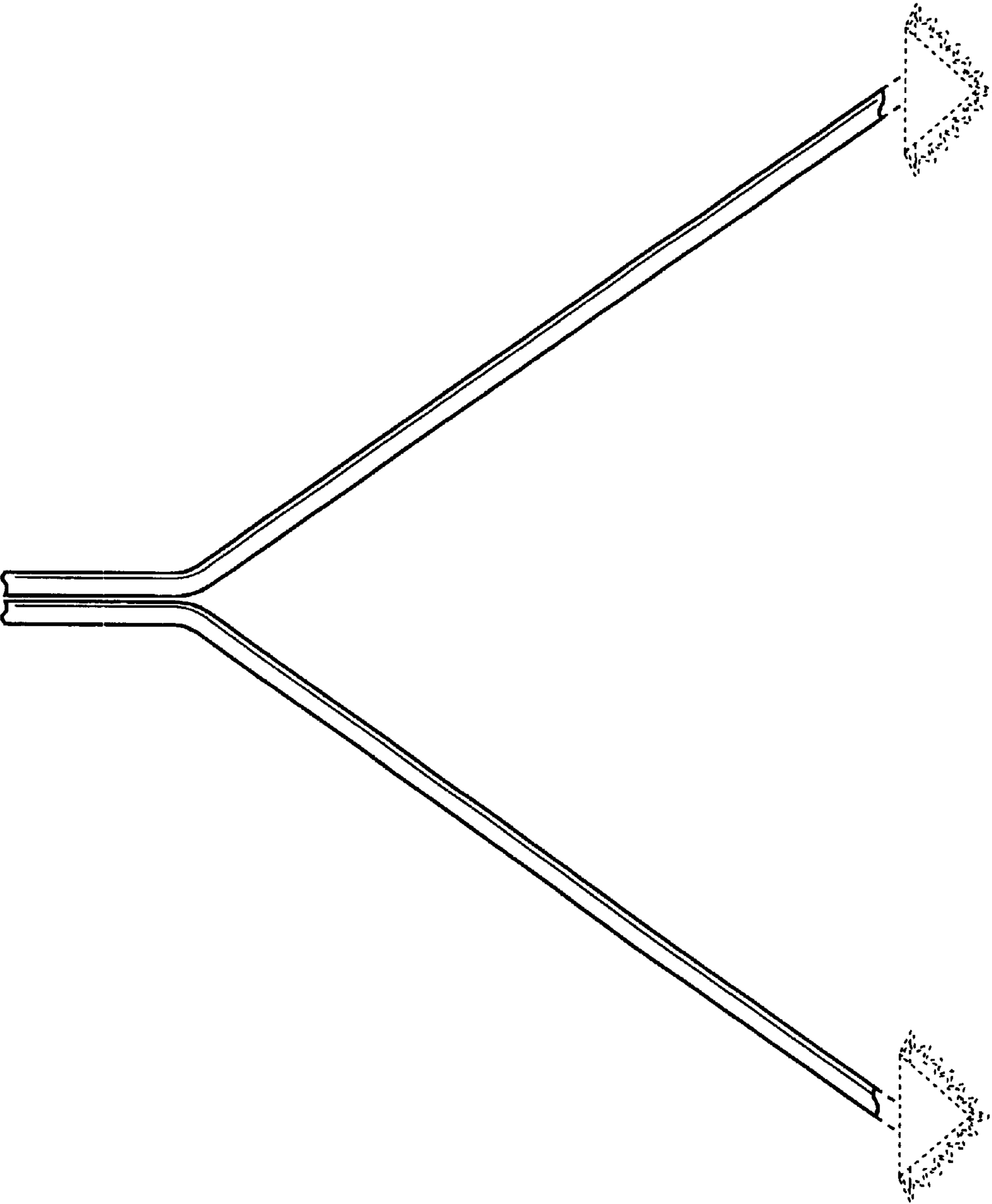


FIG.-7

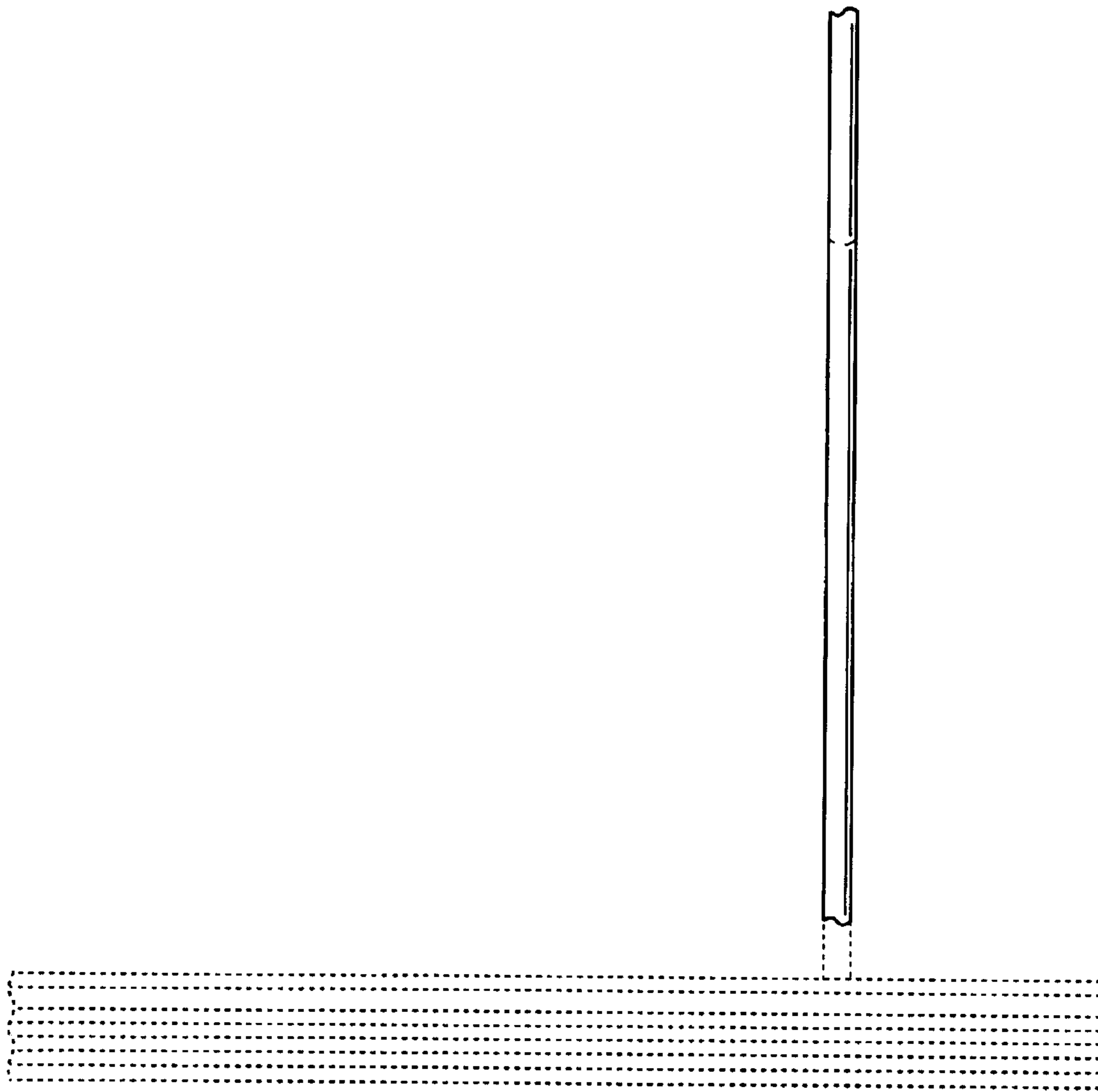


FIG._8

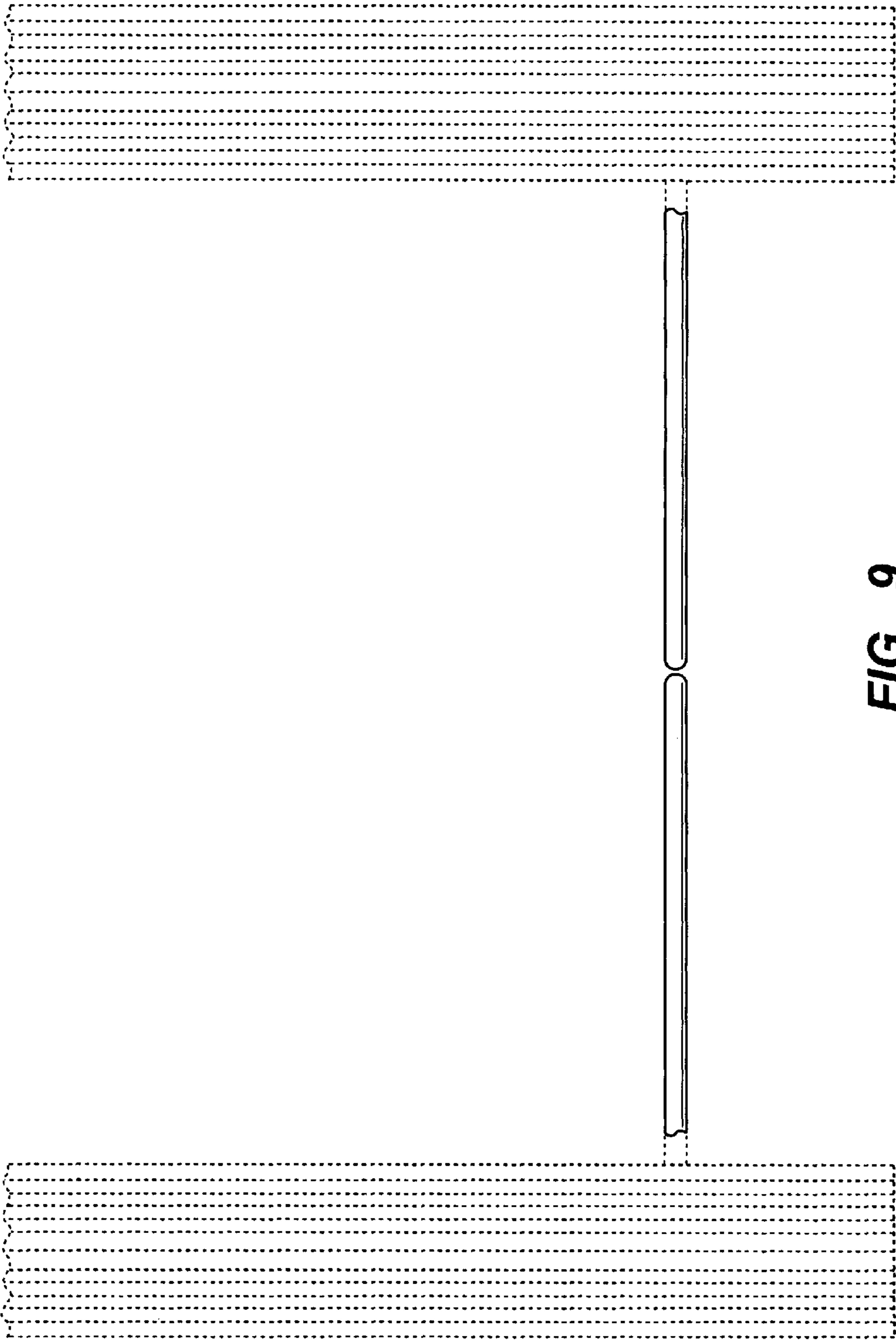


FIG. 9

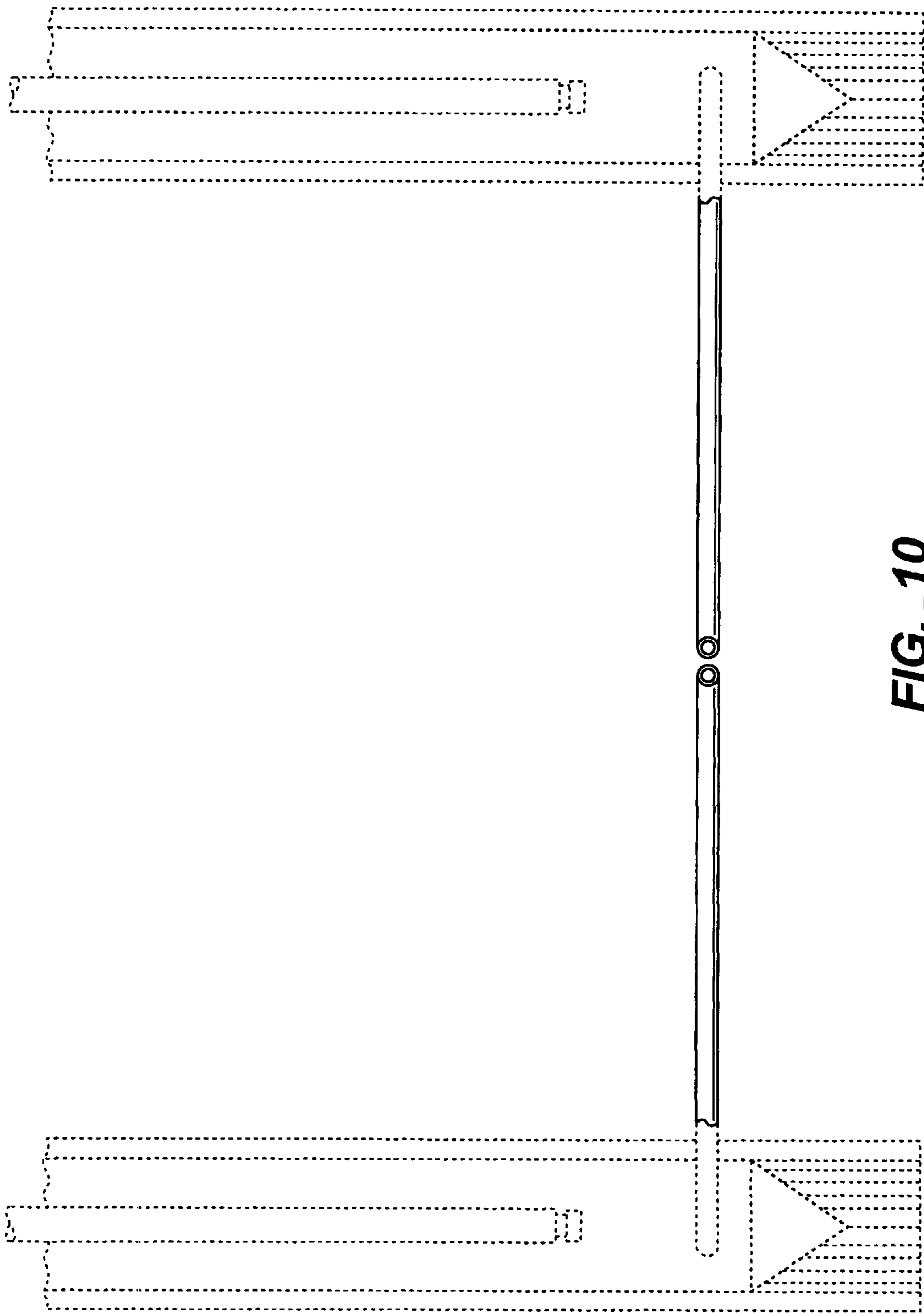


FIG. 10