



US00D543308S

(12) **United States Design Patent**
Layne

(10) **Patent No.:** **US D543,308 S**

(45) **Date of Patent:** **** May 22, 2007**

(54) **PENDANT LIGHT**

(75) Inventor: **Bruce N. Layne**, Wheaton, IL (US)

(73) Assignee: **Juno Manufacturing, Inc.**, Des
Plaines, IL (US)

(**) Term: **14 Years**

(21) Appl. No.: **29/236,333**

(22) Filed: **Aug. 15, 2005**

(51) **LOC (8) Cl.** **26-99**

(52) **U.S. Cl.** **D26/128**

(58) **Field of Classification Search** D26/131,
D26/135, 86, 90, 85, 84, 81, 128, 88, 142,
D26/132, 134, 92, 72, 23, 24, 68, 79, 83,
D26/113, 118, 119, 137; 362/257, 266, 317,
362/350, 340, 351, 355, 356, 362, 363
See application file for complete search history.

(56) **References Cited**

U.S. PATENT DOCUMENTS

934,873	A	*	9/1909	Young	362/266
D86,453	S	*	3/1932	Gunnison	D26/88
D86,989	S	*	5/1932	Ainsworth	D26/88
D87,184	S	*	6/1932	Ainsworth	D26/88
D328,502	S	*	8/1992	Hartman	D26/68
D330,947	S	*	11/1992	Donato et al.	D26/85
D338,737	S	*	8/1993	Segill et al.	D26/81
D357,332	S	*	4/1995	Kay	D26/68
D389,937	S	*	1/1998	O'Brien et al.	D26/68
D400,292	S	*	10/1998	Hoffbauer	D26/135
D411,895	S	*	7/1999	Houston	D26/68

D459,466	S	*	6/2002	Hsieh	D23/411
D459,826	S	*	7/2002	Dolan	D26/81
D476,770	S	*	7/2003	Brunner	D26/86
D489,474	S	*	5/2004	Brunner	D26/84
D492,812	S	*	7/2004	Burns	D26/131
D504,537	S	*	4/2005	Graham	D26/85

* cited by examiner

Primary Examiner—Freda S. Nunn

Assistant Examiner—Kevin K. Rudzinski

(74) *Attorney, Agent, or Firm*—Sonnenschein Nath &
Rosenthal LLP

(57) **CLAIM**

The ornamental design for a pendant light, as shown and described.

DESCRIPTION

FIG. 1 is a perspective view of a pendant light showing the new design;

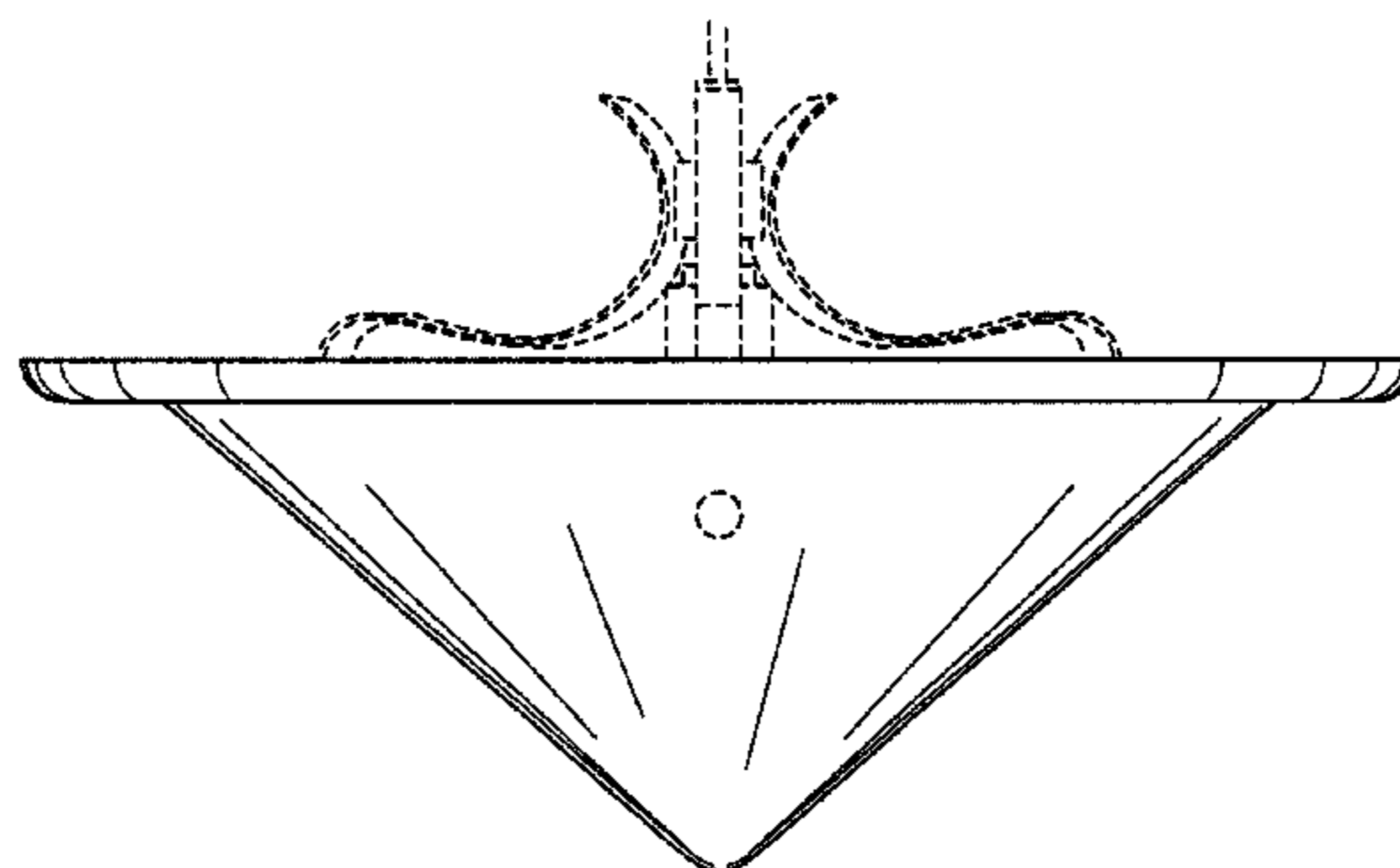
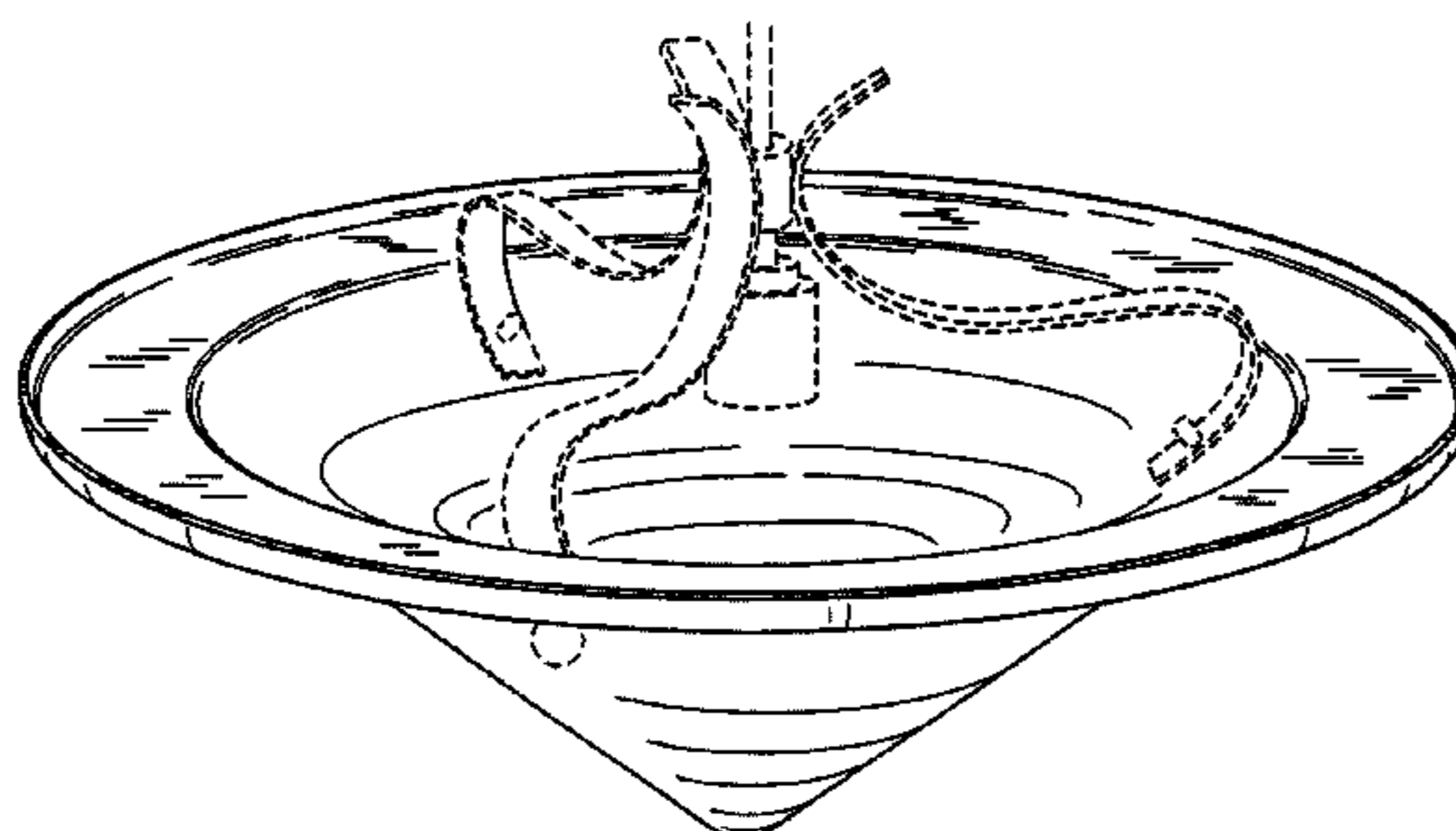
FIG. 2 is a side elevational view of the pendant light as shown in FIG. 1;

FIG. 3 is an opposite side elevational view of the pendant light as shown in FIG. 1; and,

FIG. 4 is a bottom view of the pendant light as shown in FIG. 1.

Features shown in dashed lines immediately adjacent the shaded areas or adjacent the solid lines represent the bounds of the claim and all other dashed lines are for illustrative purposes only. None of the dashed lines form a part of the claimed design.

1 Claim, 2 Drawing Sheets



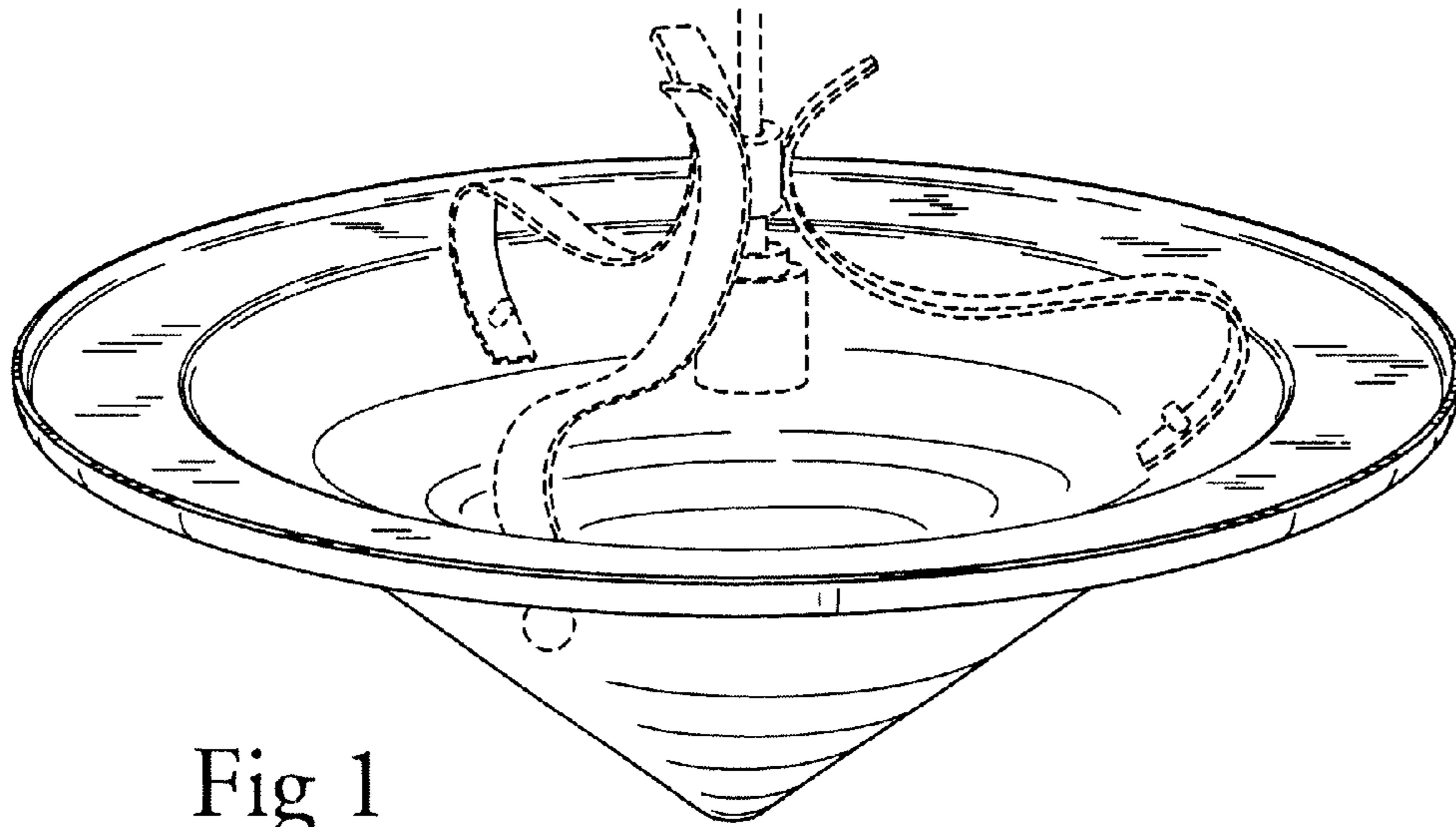


Fig 1

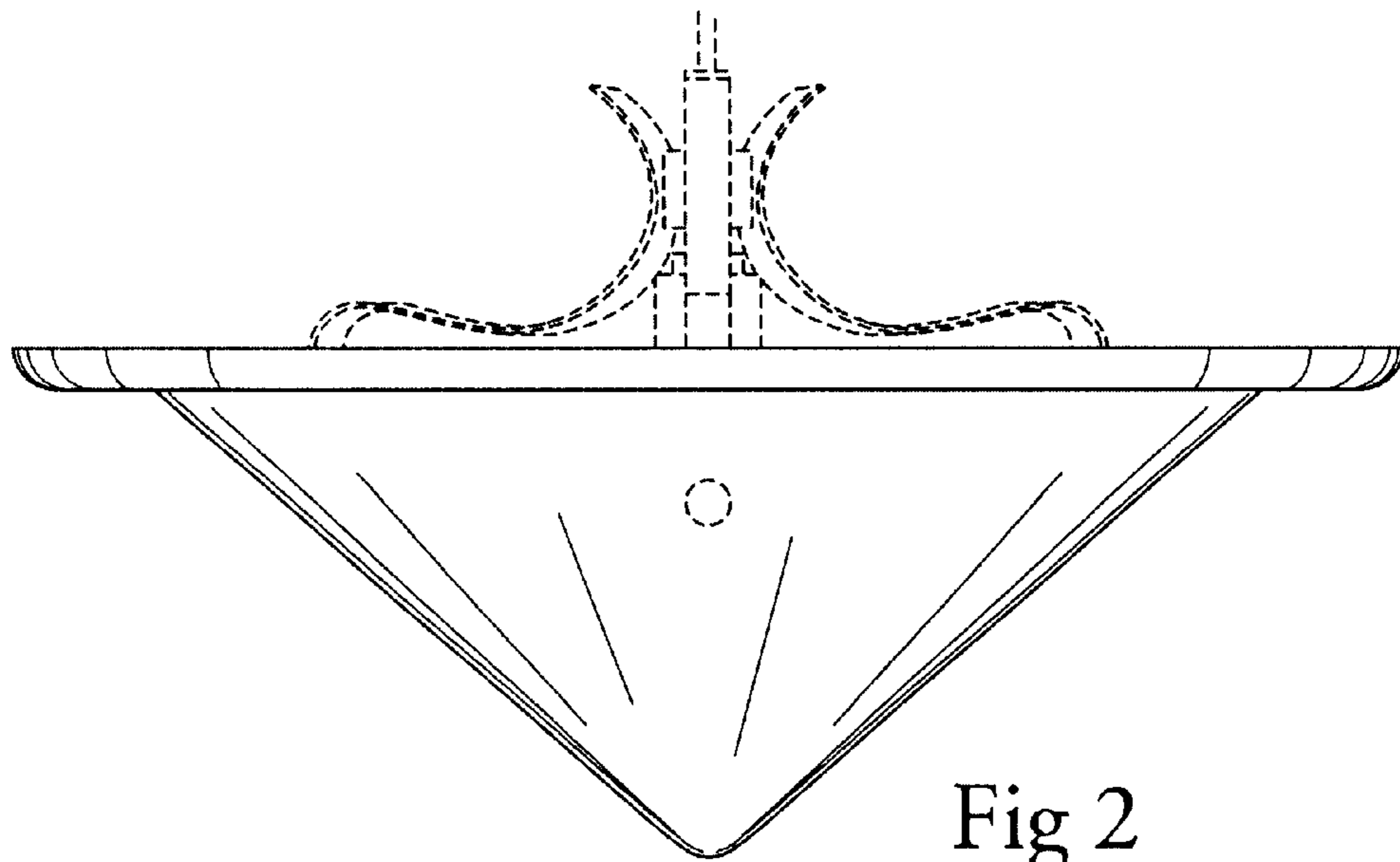


Fig 2

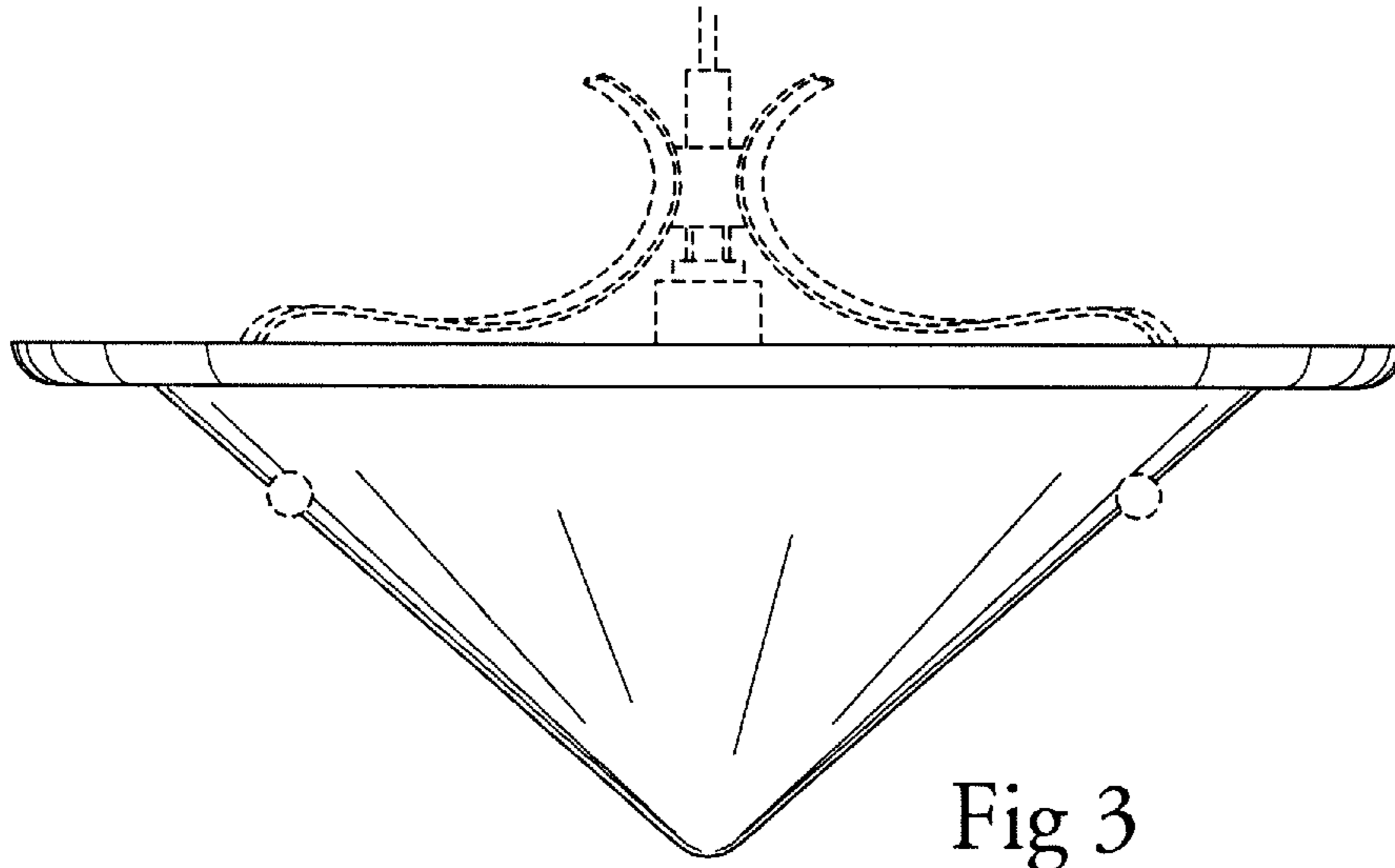


Fig 3

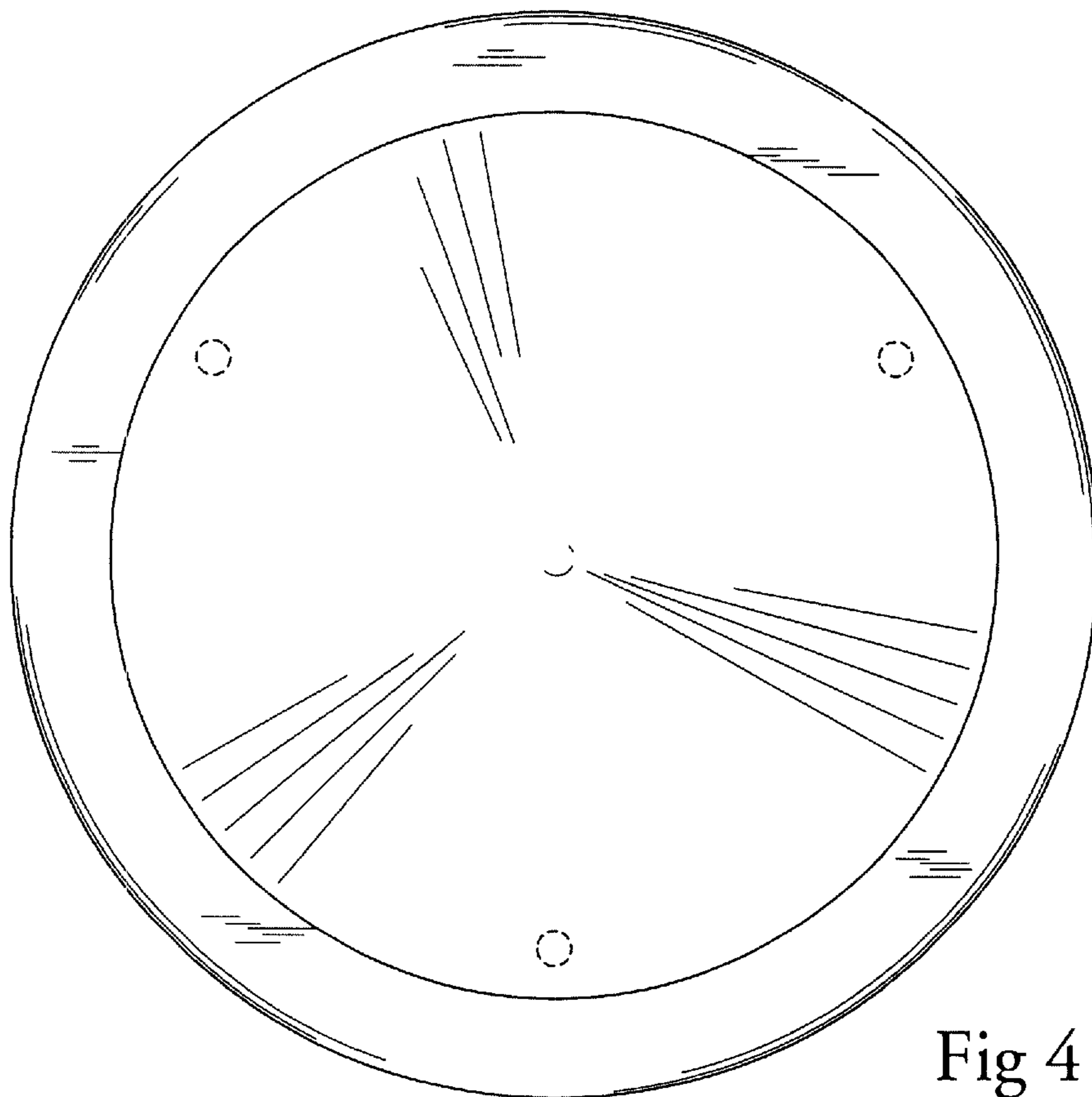


Fig 4