



US00D543307S

(12) **United States Design Patent**
Bynum et al.

(10) **Patent No.:** **US D543,307 S**

(45) **Date of Patent:** **** May 22, 2007**

(54) **FRONT PORTION OF A LAMP MODULE**

(75) Inventors: **Stephen A. Bynum**, Cookeville, TN (US); **James Burr Anderson, Jr.**, Cookeville, TN (US)

(73) Assignee: **Federal Mogul World Wide, Inc.**, Southfield, MI (US)

(**) Term: **14 Years**

(21) Appl. No.: **29/199,182**

(22) Filed: **Feb. 11, 2004**

(51) **LOC (8) Cl.** **26-99**

(52) **U.S. Cl.** **D26/118**

(58) **Field of Classification Search** D26/118,
D26/113, 123, 124, 140, 138, 152, 119, 74,
D26/120, 72, 151; 362/257, 277, 280, 285,
362/317, 319, 362, 364

See application file for complete search history.

(56) **References Cited**

U.S. PATENT DOCUMENTS

D52,001 S	*	5/1918	Adam	D26/135
D163,433 S	*	5/1951	Williams	D26/139
D192,479 S	*	3/1962	Bordinat	D26/123
D209,536 S	*	12/1967	McCain	D26/74
D282,973 S	*	3/1986	Kempton et al.	D26/140
D325,651 S	*	4/1992	Sonneman	D26/152
D400,274 S	*	10/1998	Ziaylek et al.	D26/36
D407,524 S	*	3/1999	Lecluze	D26/118
D481,823 S	*	11/2003	McClow et al.	D26/113

* cited by examiner

Primary Examiner—Freda S. Nunn

Assistant Examiner—Kevin K. Rudzinski

(74) *Attorney, Agent, or Firm*—Dickinson Wright PLLC

(57) **CLAIM**

The ornamental design for front portion of a lamp module, as shown and described.

DESCRIPTION

FIG. 1 is a perspective view of a first embodiment of a front portion of a lamp module;

FIG. 2 is a front elevational view of the first embodiment;

FIG. 3 is a right side elevational view of the first embodiment the left side elevational view being a mirror image thereof;

FIG. 4 is a perspective view of a second embodiment of a front portion of a lamp module;

FIG. 5 is a front elevational view of the second embodiment;

FIG. 6 is a right side elevational view of the second embodiment the left side elevational view being a mirror image thereof.

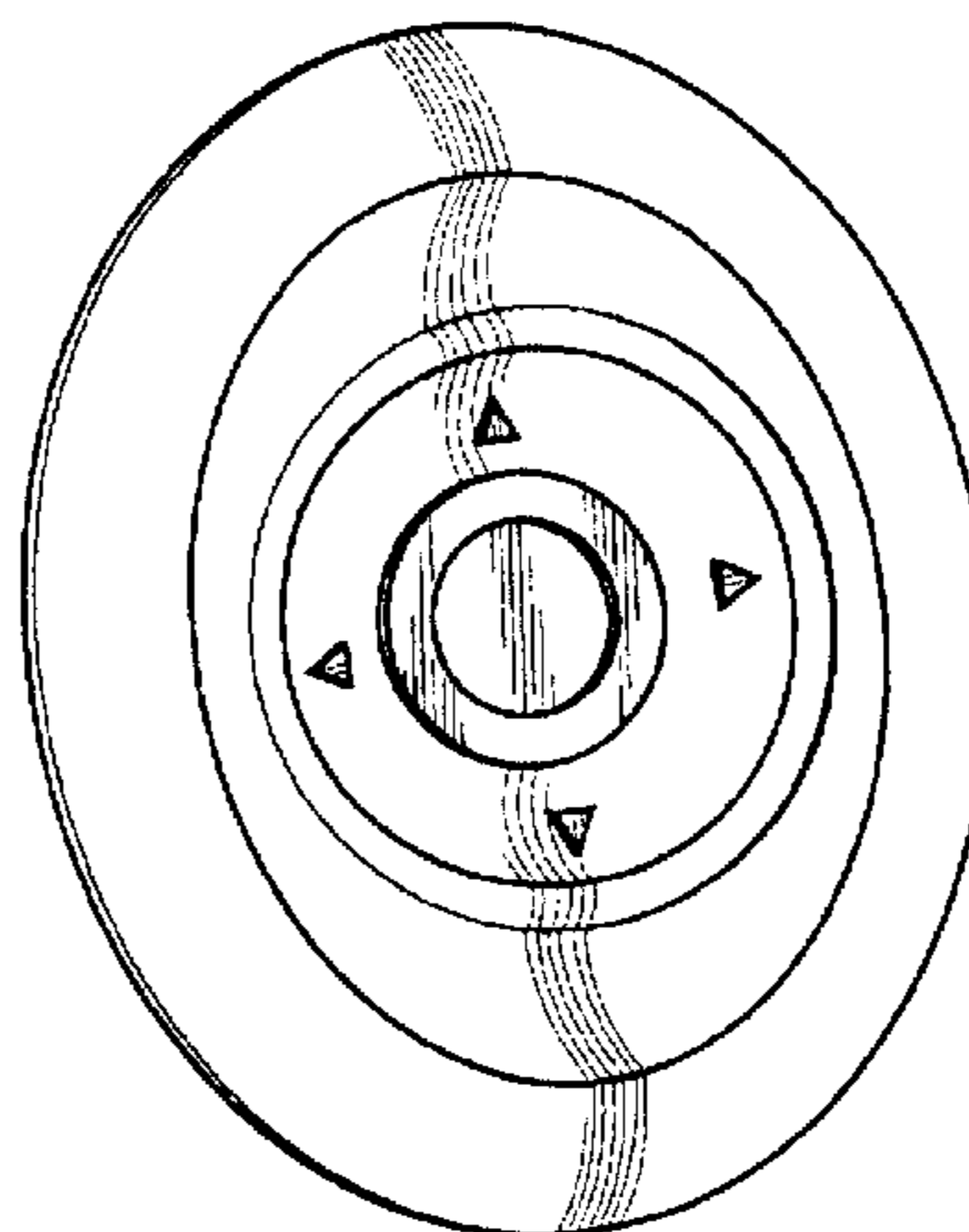
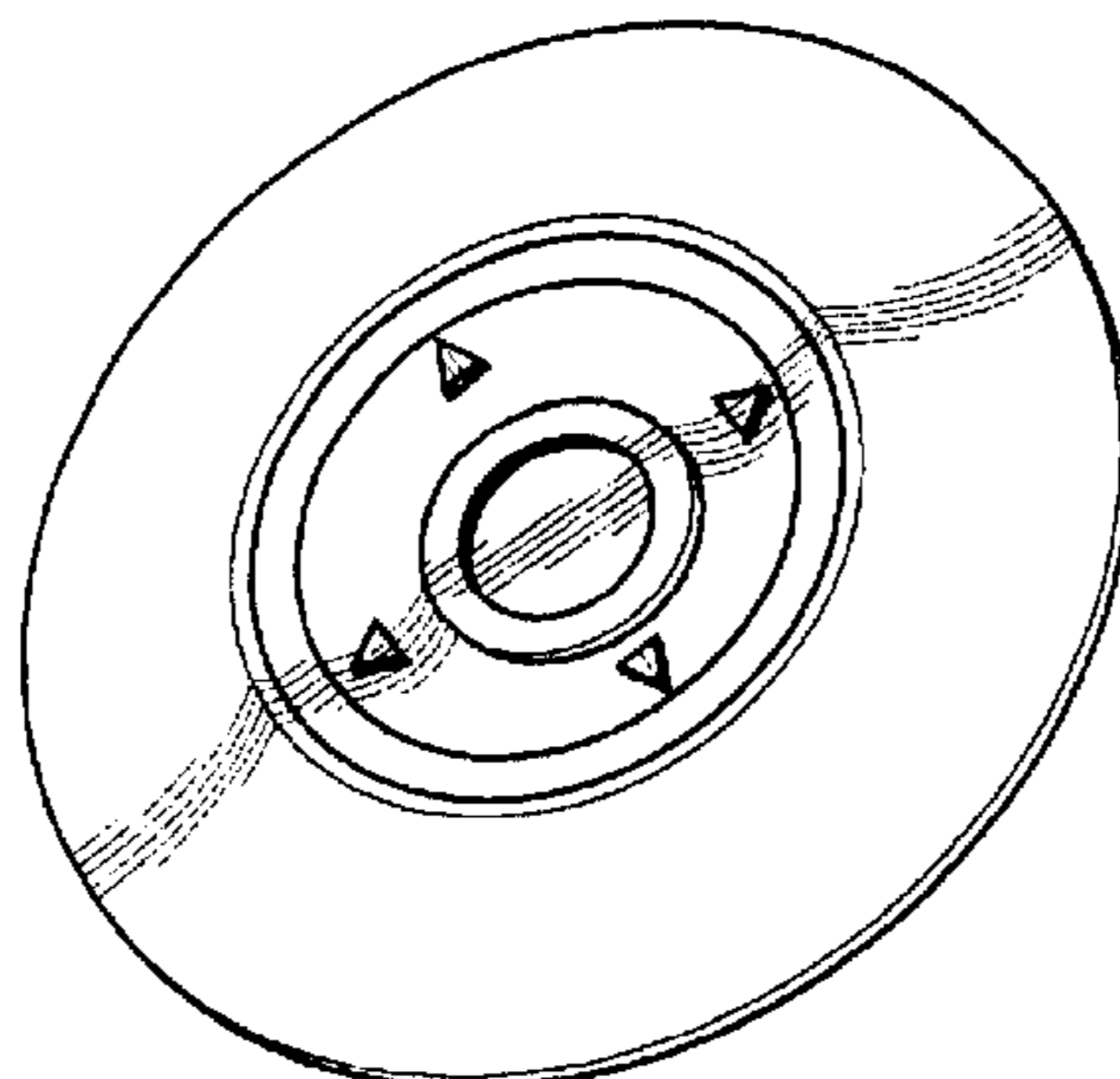
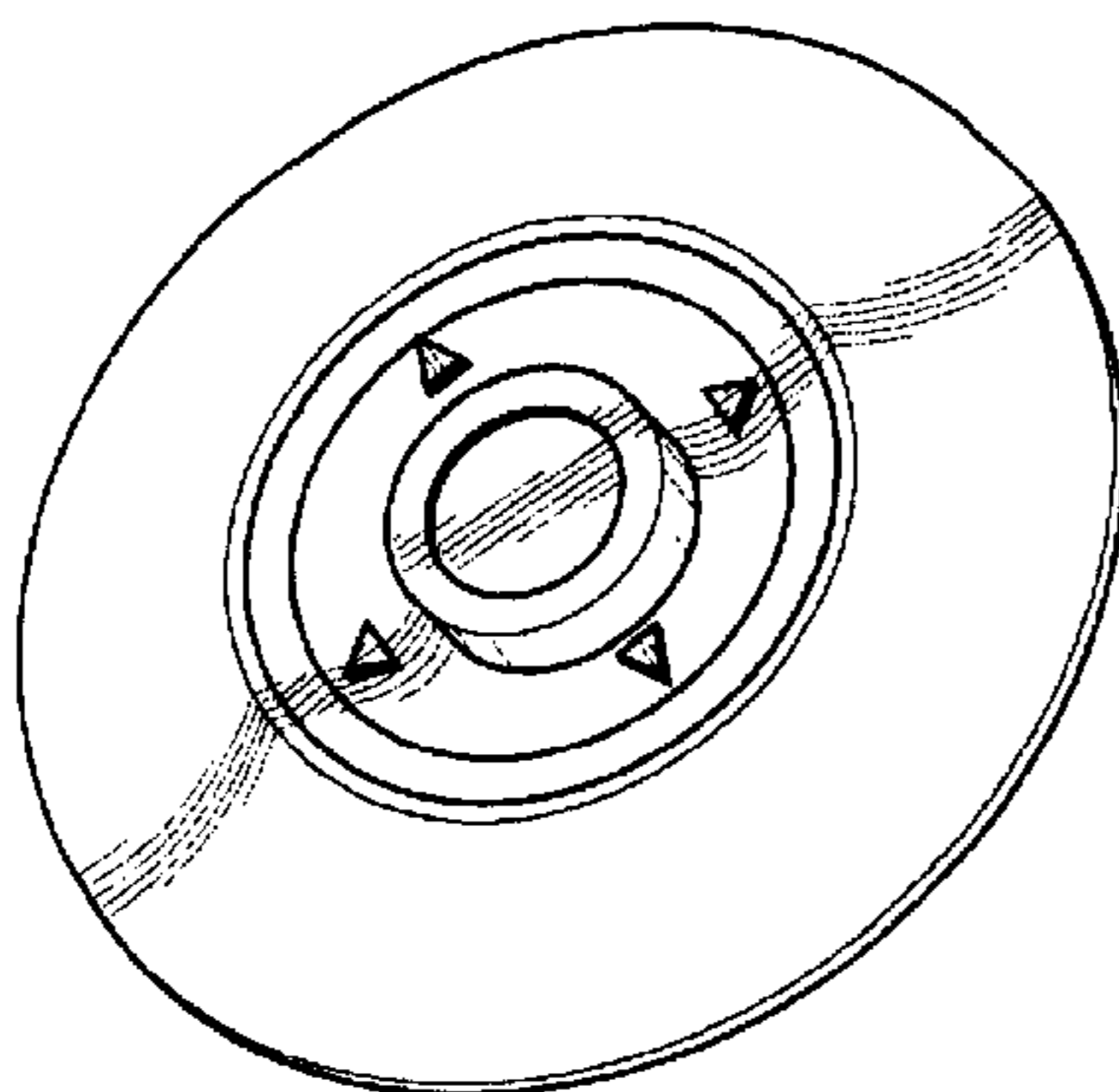
FIG. 7 is a perspective view of a third embodiment of a front portion of a lamp module;

FIG. 8 is a front elevational view of the third embodiment;

FIG. 9 is a right side view of the third embodiment, the left side elevational view of the third embodiment being a mirror image thereof; and,

FIG. 10 is a bottom side plan view of the third embodiment, the top side plan view of the third embodiment being a mirror image thereof.

1 Claim, 2 Drawing Sheets



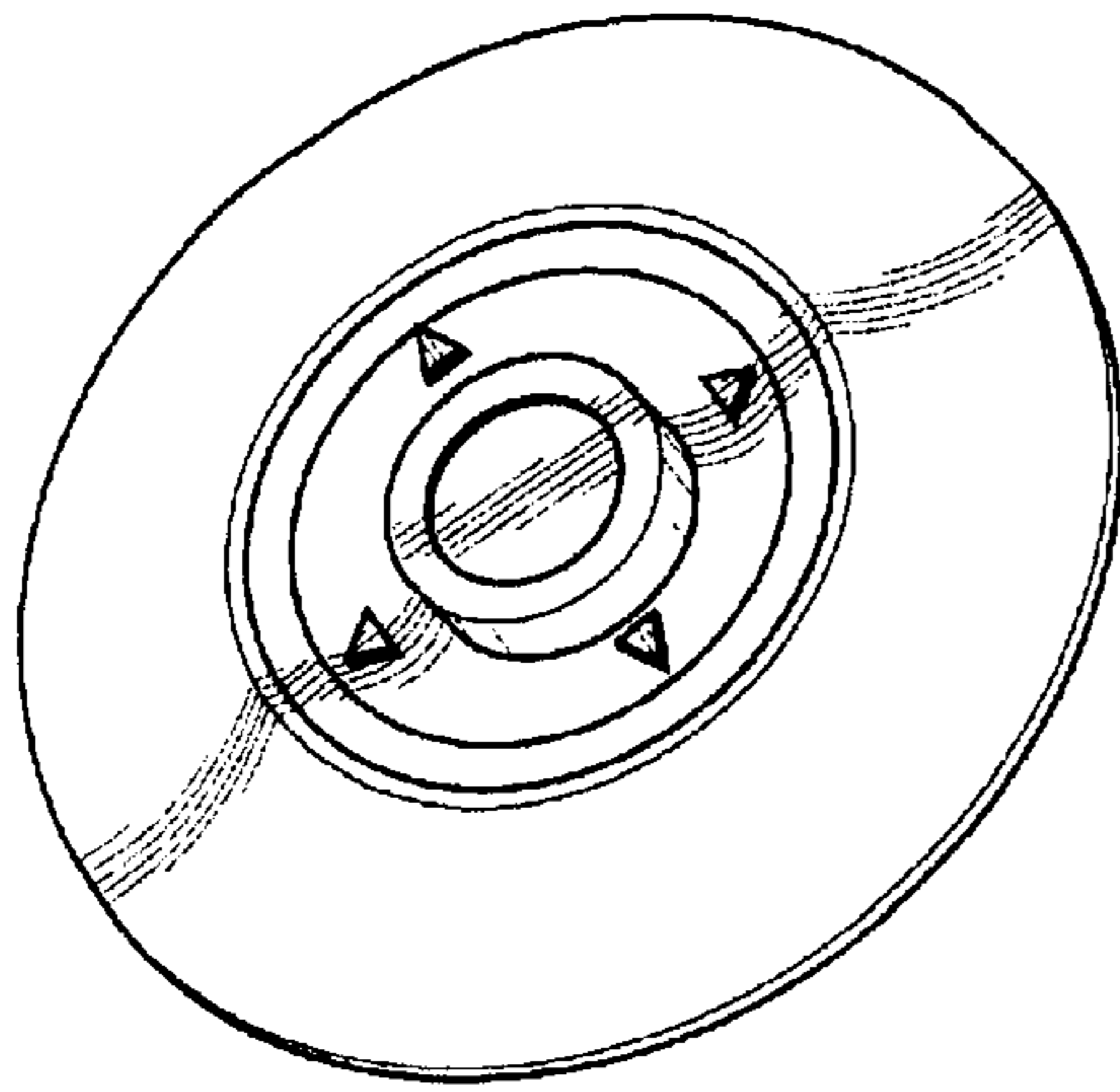


FIG - 1

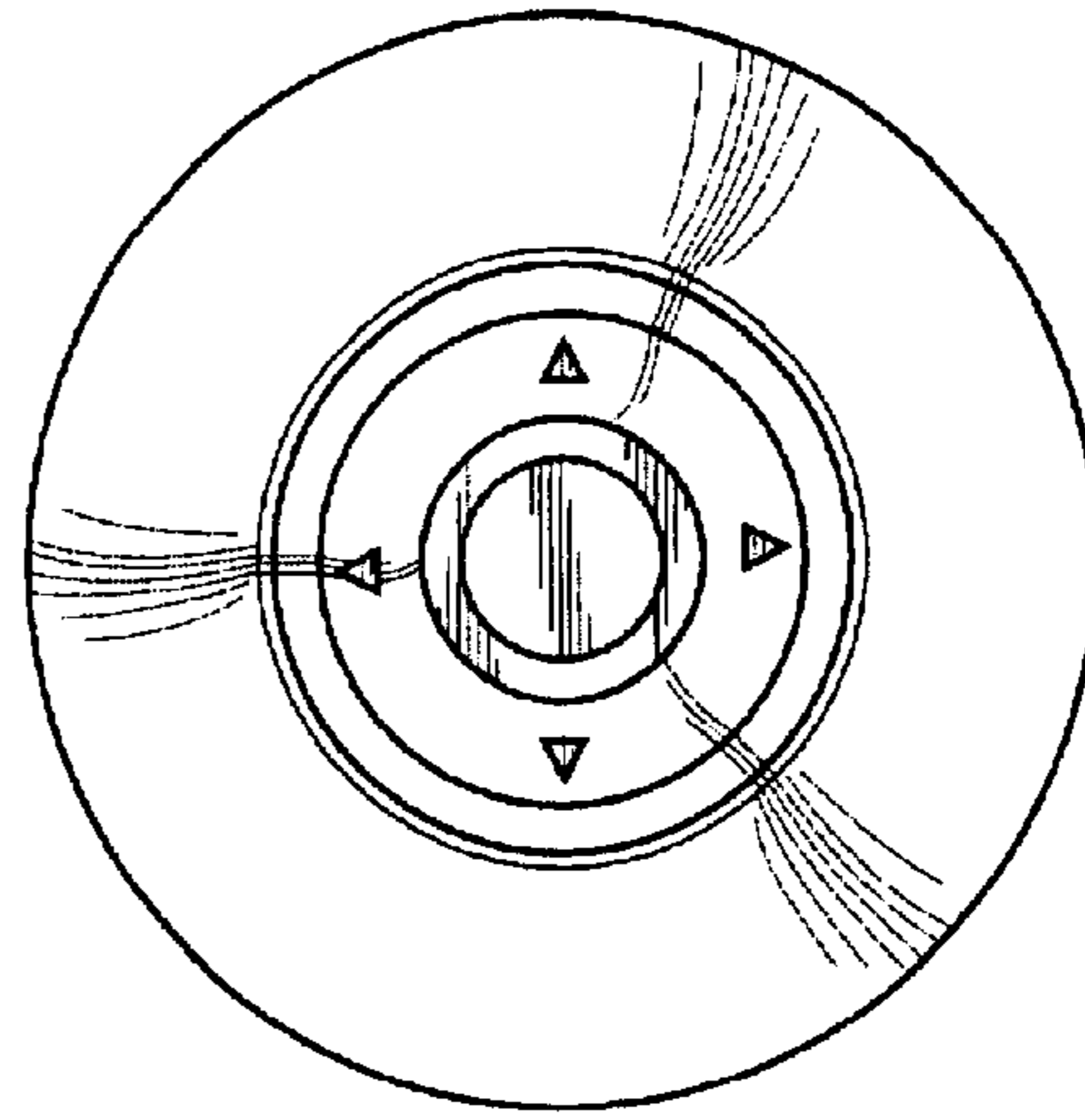


FIG - 2

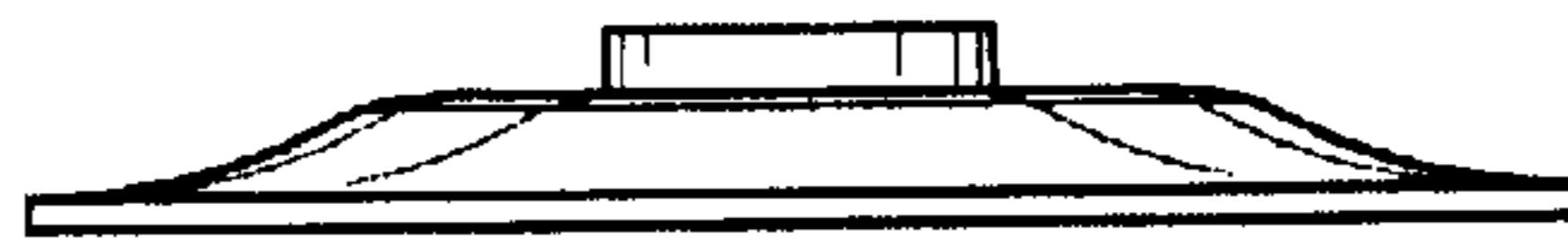


FIG - 3

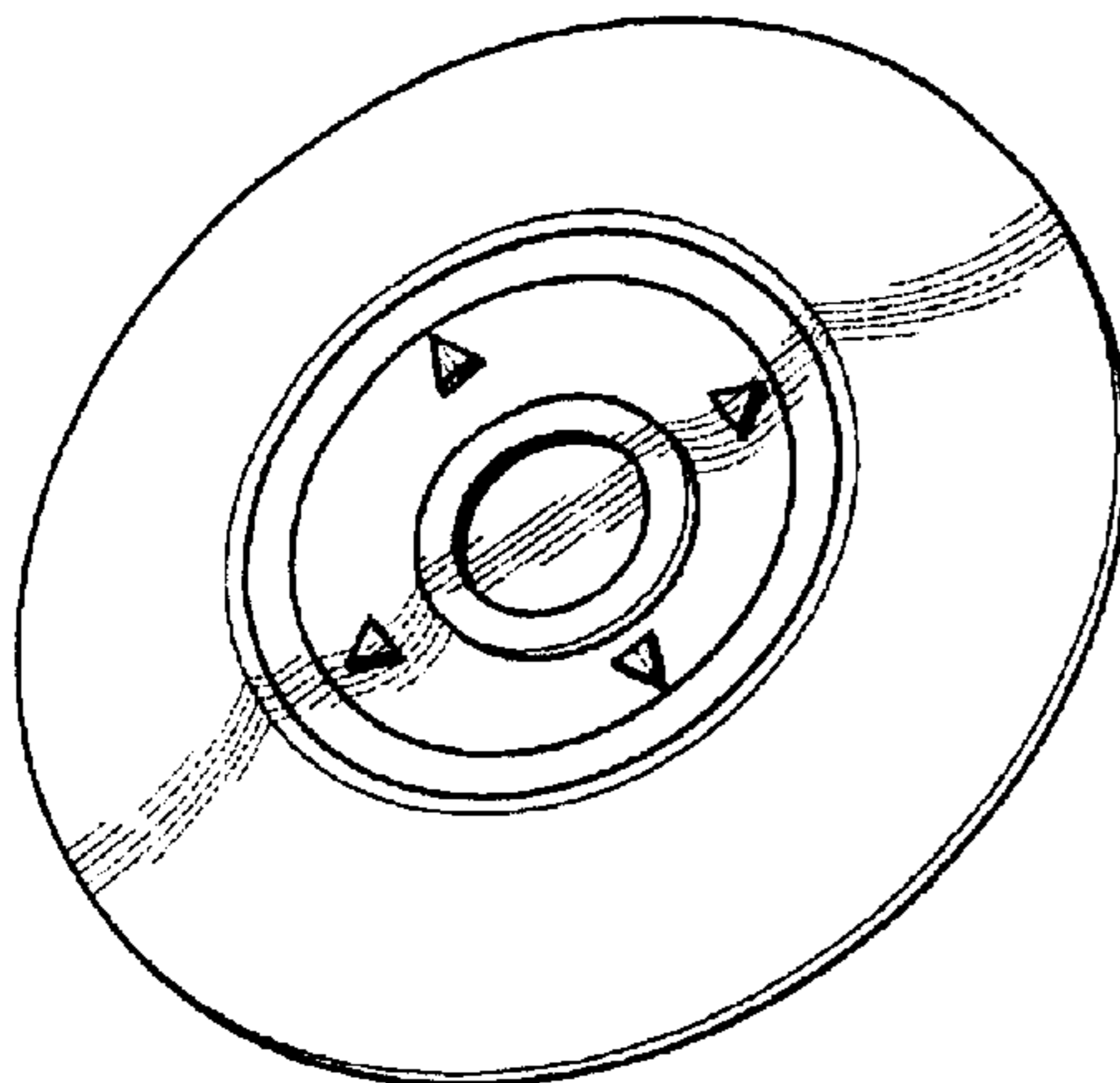


FIG - 4

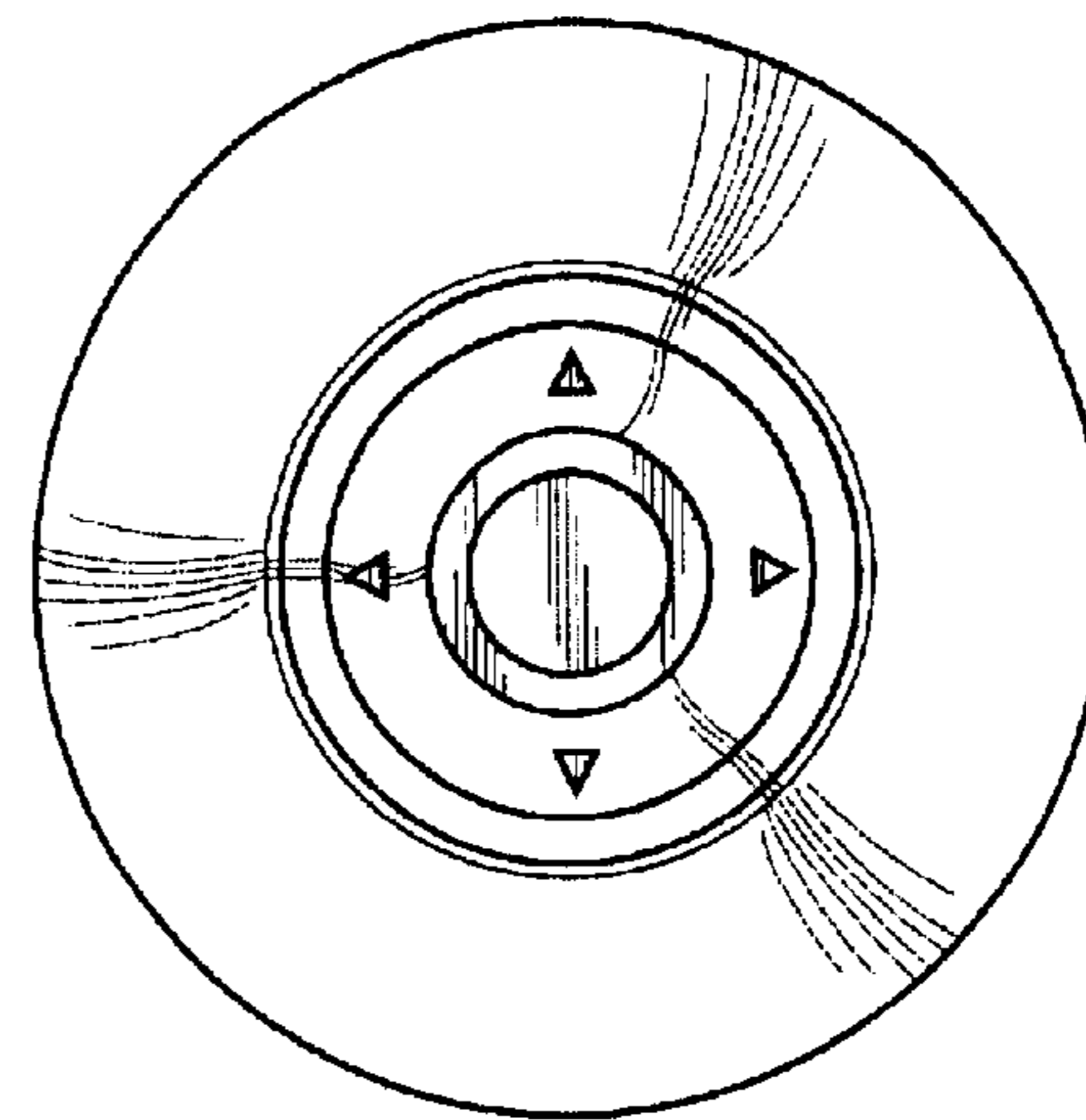


FIG - 5

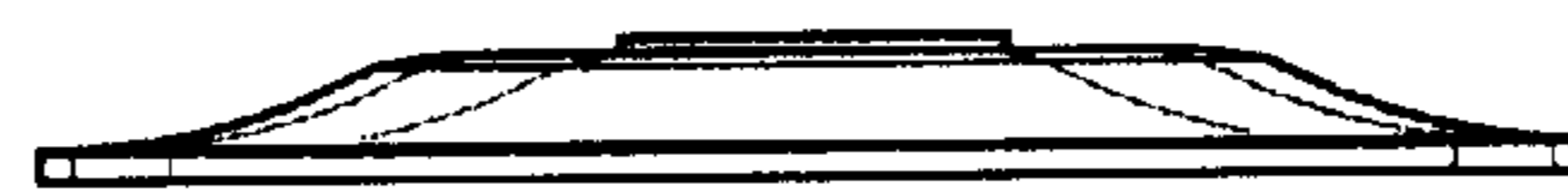


FIG - 6

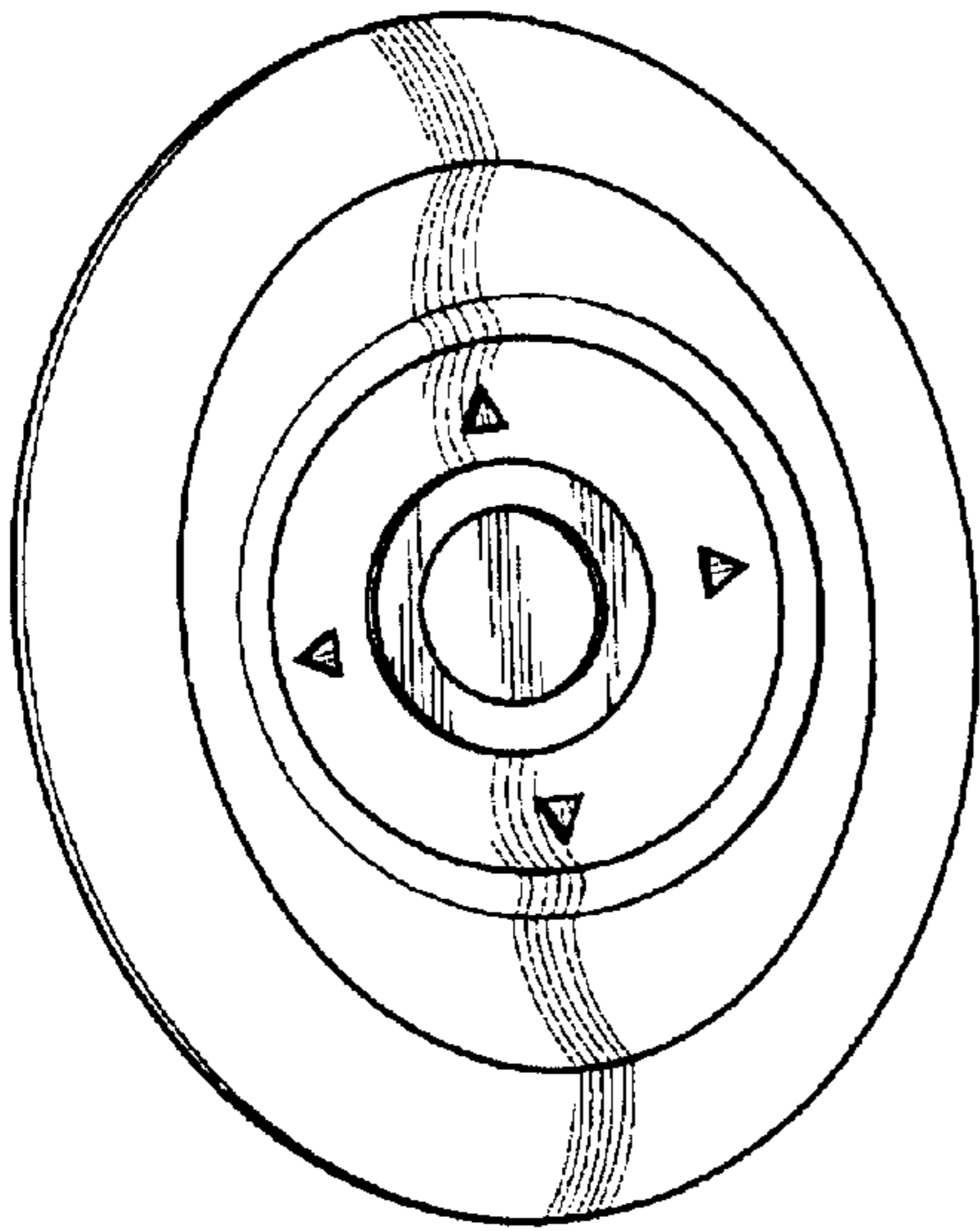


FIG - 7

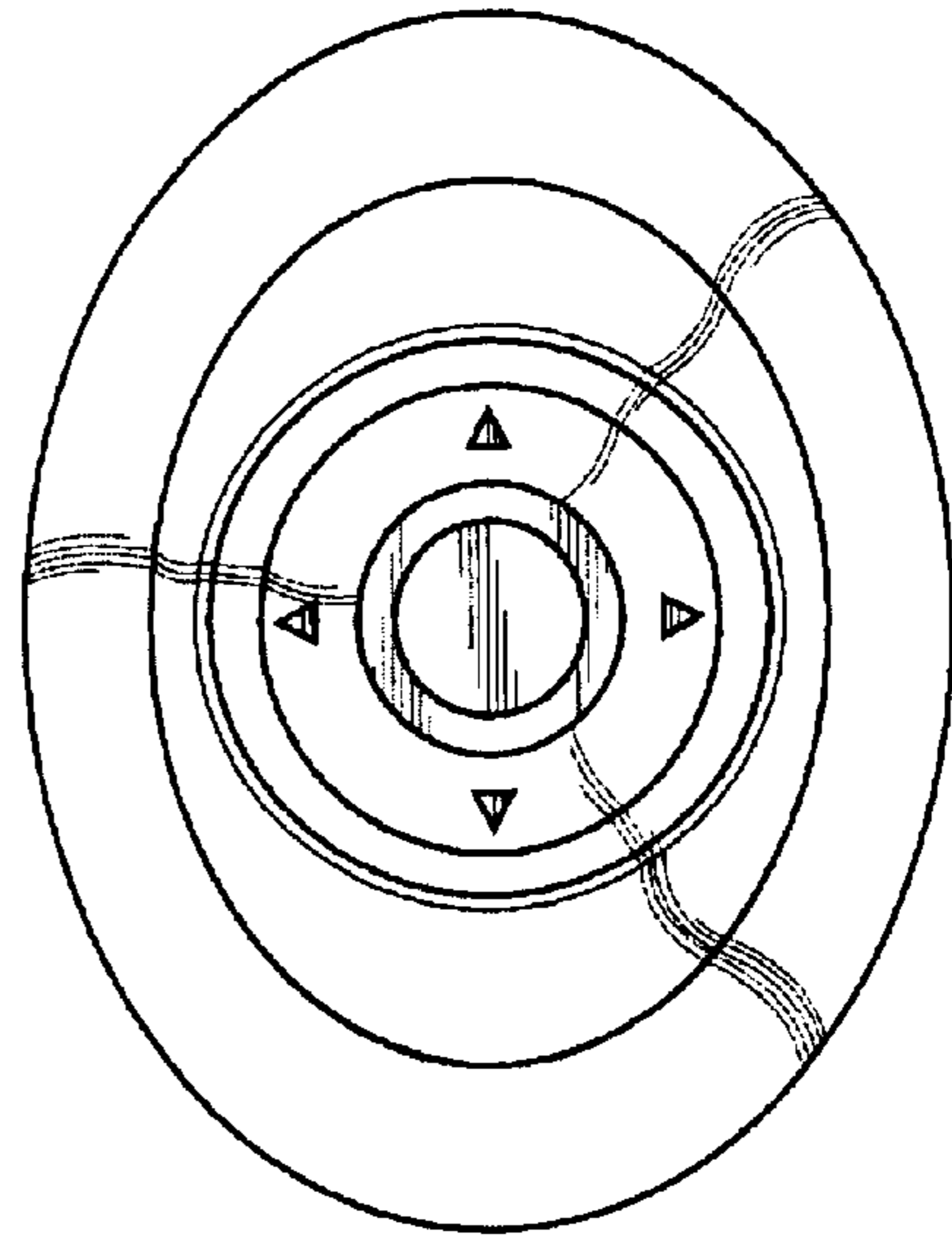


FIG - 8



FIG - 9

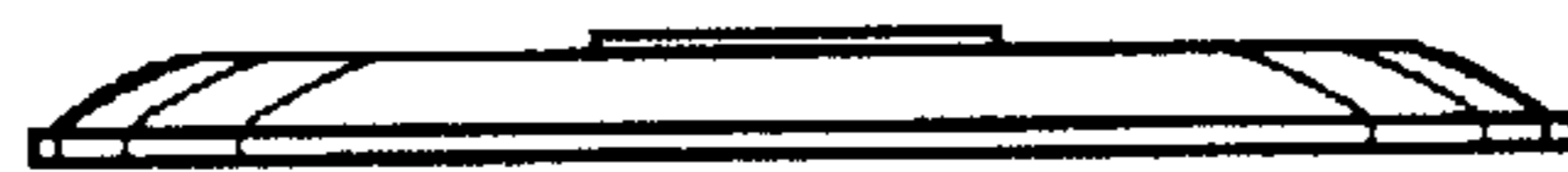


FIG - 10

UNITED STATES PATENT AND TRADEMARK OFFICE
CERTIFICATE OF CORRECTION

PATENT NO. : Des. 543,307 S
APPLICATION NO. : 29/199182
DATED : May 22, 2007
INVENTOR(S) : Stephen Bynum and James Burr Anderson, Jr.

Page 1 of 1

It is certified that error appears in the above-identified patent and that said Letters Patent is hereby corrected as shown below:

In the description, please replace "Fig. 9 is a right side view" with -- Fig. 9 is a right side elevational view --

Signed and Sealed this

Seventh Day of August, 2007

A handwritten signature in black ink on a light gray dotted background. The signature reads "Jon W. Dudas" in a cursive, stylized script.

JON W. DUDAS

Director of the United States Patent and Trademark Office