

US00D543305S

(12) **United States Design Patent**
Wang

(10) **Patent No.:** **US D543,305 S**

(45) **Date of Patent:** **** May 22, 2007**

(54) **LAMP FOR AN AQUARIUM**

(75) Inventor: **Yu-Chin Wang**, Taipei (TW)

(73) Assignee: **Eiko Electric Products Corp.**, Taipei (TW)

(**) Term: **14 Years**

(21) Appl. No.: **29/262,802**

(22) Filed: **Jul. 12, 2006**

(51) **LOC (8) Cl.** **26-05**

(52) **U.S. Cl.** **D26/60; D26/75**

(58) **Field of Classification Search** D26/37,
D26/43, 44, 60-63, 65, 39, 51, 75; 362/98,
362/99, 101, 109-114, 191, 197, 198, 287,
362/427, 396; D22/108-110

See application file for complete search history.

(56) **References Cited**

U.S. PATENT DOCUMENTS

| | | | | | |
|-------------|---|---------|---------------|-------|---------|
| D107,343 S | * | 12/1937 | Nemeroff | | D26/60 |
| D112,068 S | * | 11/1938 | Holden | | D26/78 |
| D124,795 S | * | 1/1941 | Livers | | D26/60 |
| D128,284 S | * | 7/1941 | Herr | | D26/63 |
| 2,252,340 A | * | 8/1941 | Bryant et al. | | 362/217 |
| D130,127 S | * | 10/1941 | Ludwig | | D26/60 |
| D147,374 S | * | 8/1947 | Nemeroff | | D26/60 |

| | | | | | |
|-------------|---|--------|-----------------|-------|---------|
| 2,483,165 A | * | 9/1949 | Young | | 362/217 |
| D258,009 S | * | 1/1981 | Wotowiec et al. | | D26/75 |
| D278,555 S | * | 4/1985 | Cummings | | D26/60 |
| D424,230 S | * | 5/2000 | Noh | | D26/76 |

* cited by examiner

Primary Examiner—Clare E Heflin

(57) **CLAIM**

The ornamental design for a lamp for an aquarium, as shown and described.

DESCRIPTION

FIG. 1 is a perspective view of a lamp for an aquarium showing my new design;

FIG. 2 is a front elevation view thereof, the rear view being a mirror image of FIG. 2;

FIG. 3 is a left side elevation view thereof, the right view being a mirror image of FIG. 3;

FIG. 4 is a top view thereof;

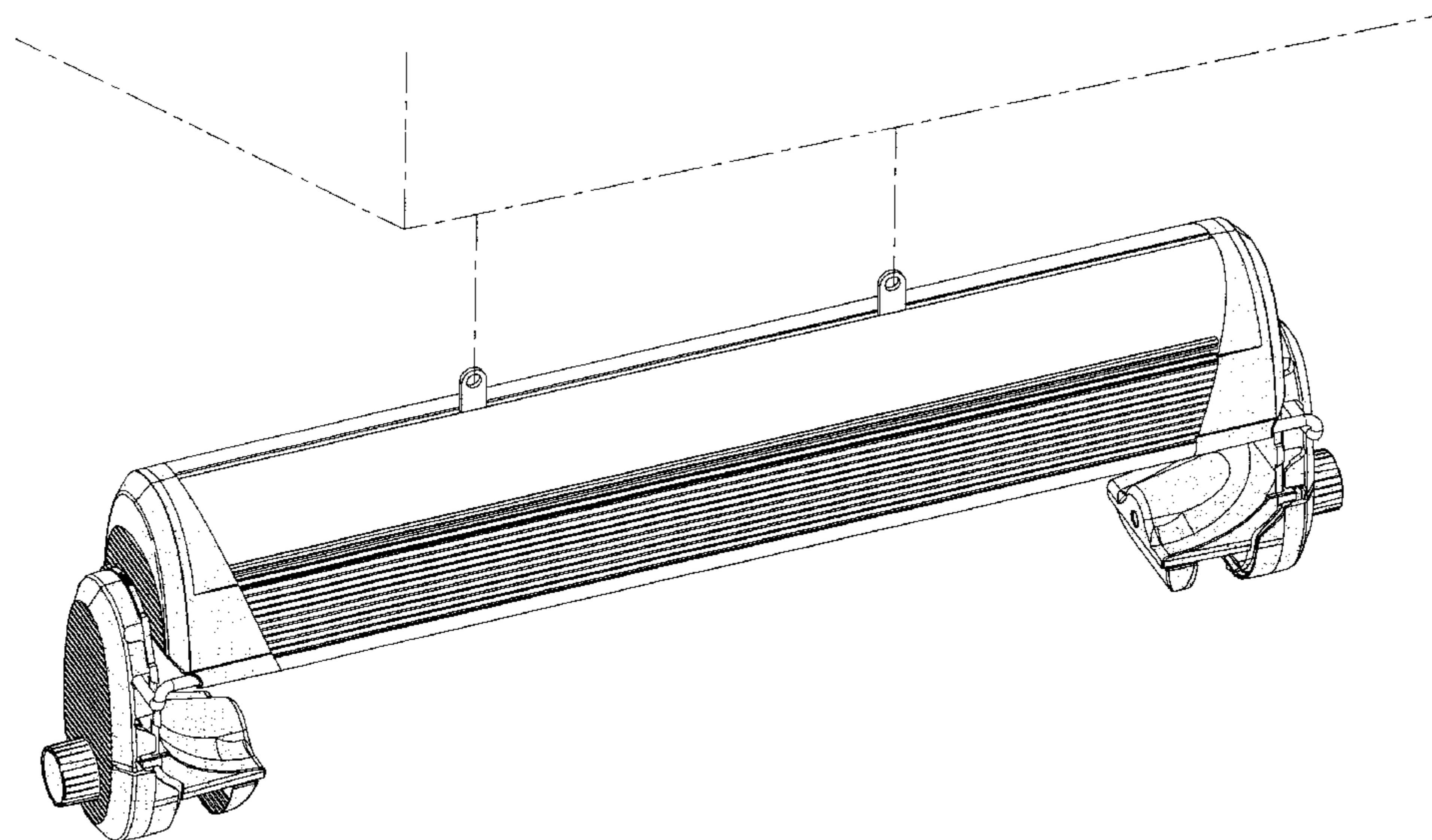
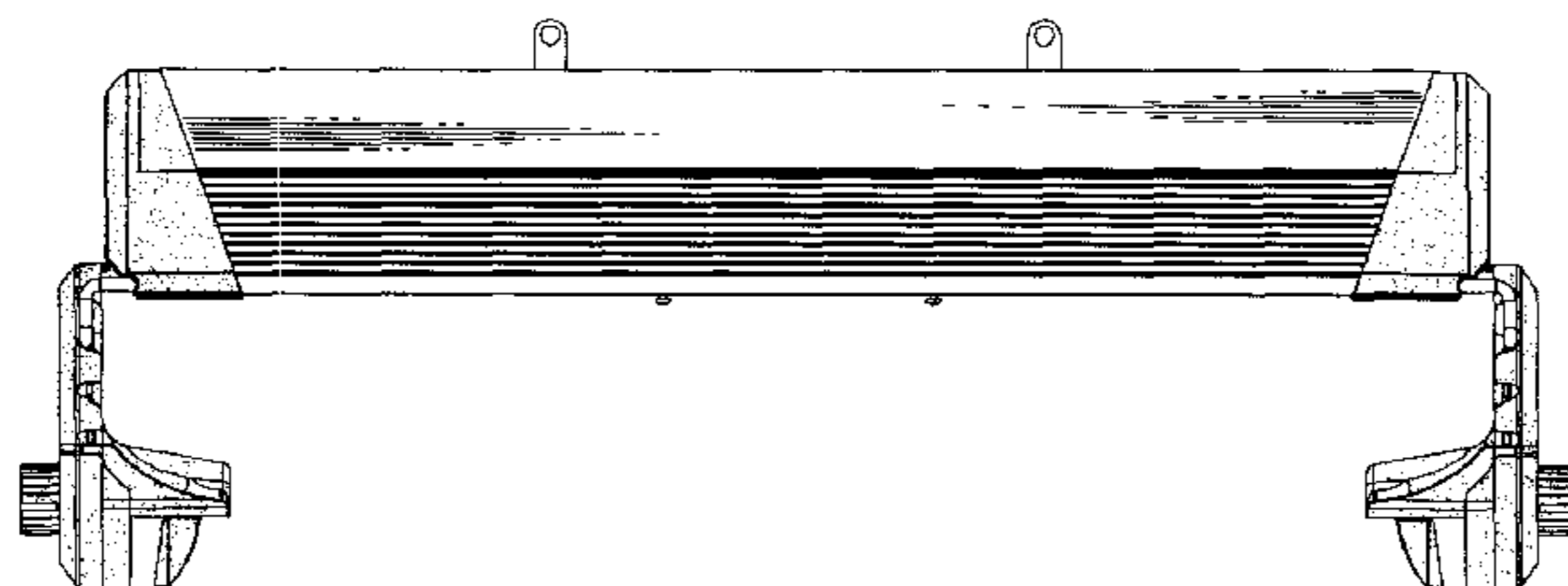
FIG. 5 is a bottom view thereof;

FIG. 6 is a perspective view of a lamp for an aquarium that is hung up; and,

FIG. 7 is a perspective view of the lamp on the top of an aquarium.

The broken lines shown on the drawings are for illustrative purposes only and form no part of the claimed design.

1 Claim, 5 Drawing Sheets



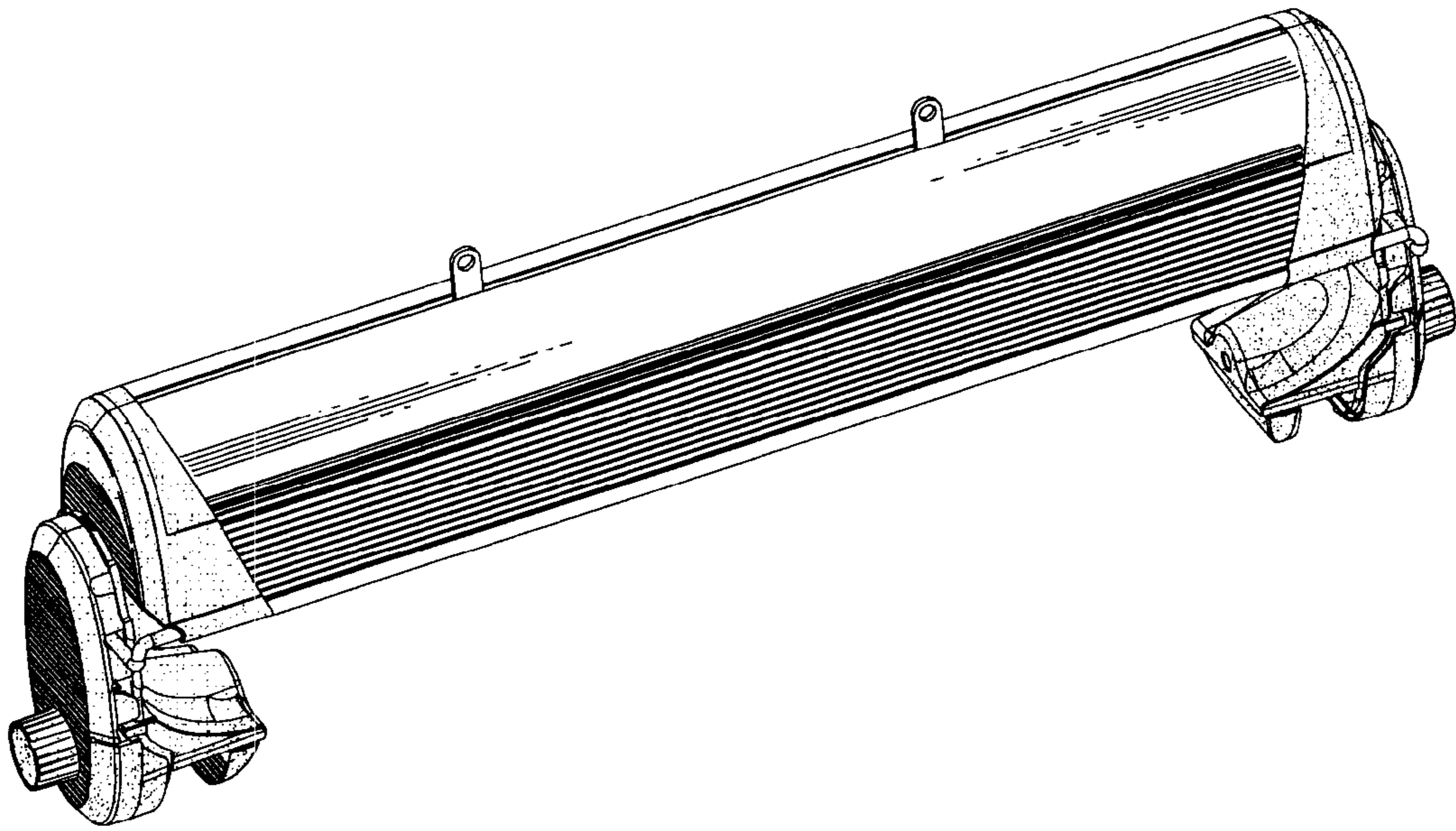


FIG. 1

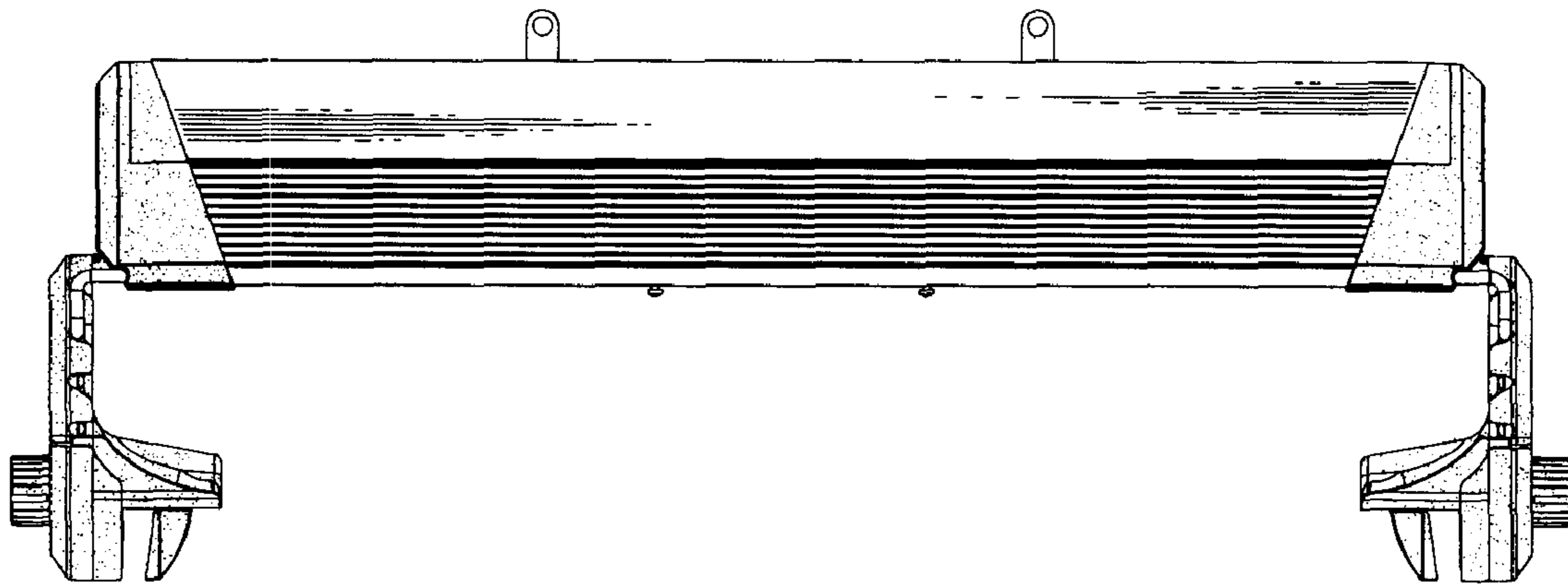


FIG. 2

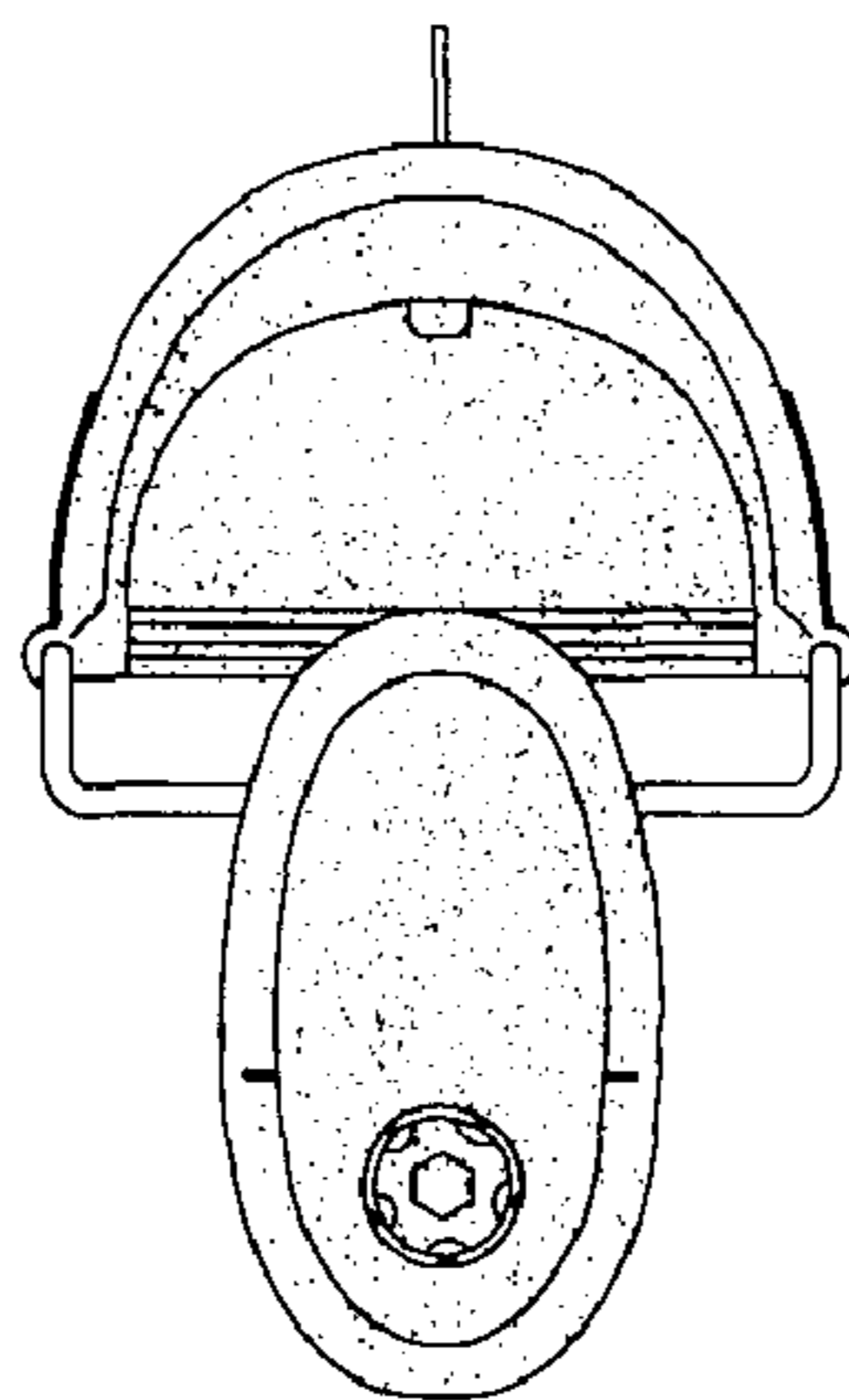


FIG. 3

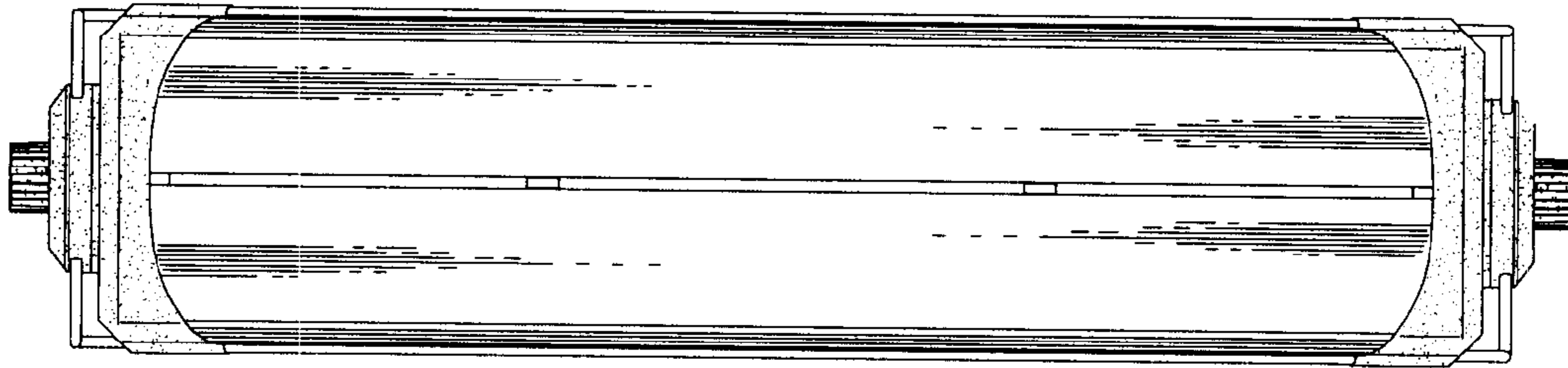


FIG. 4

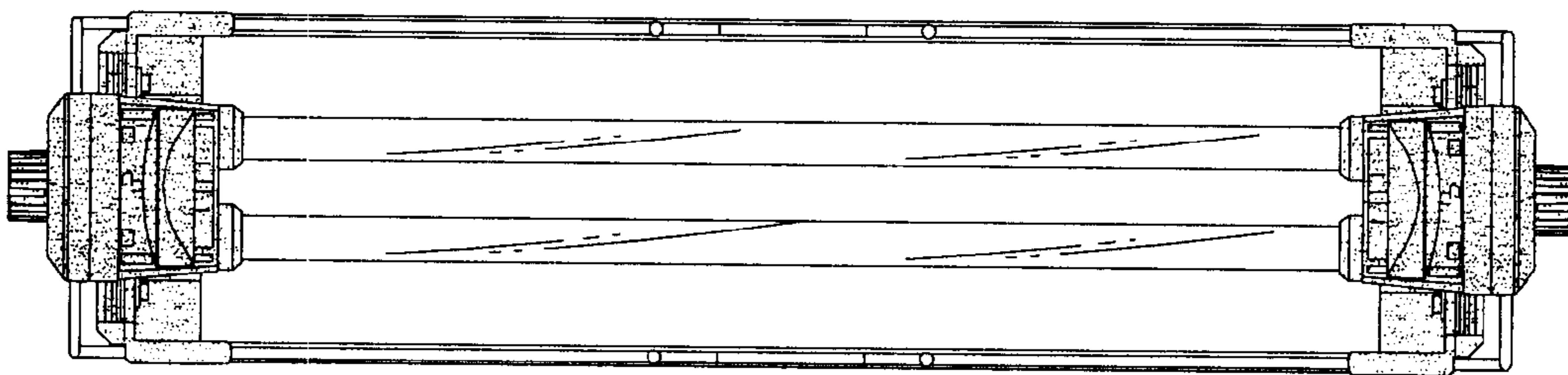


FIG. 5

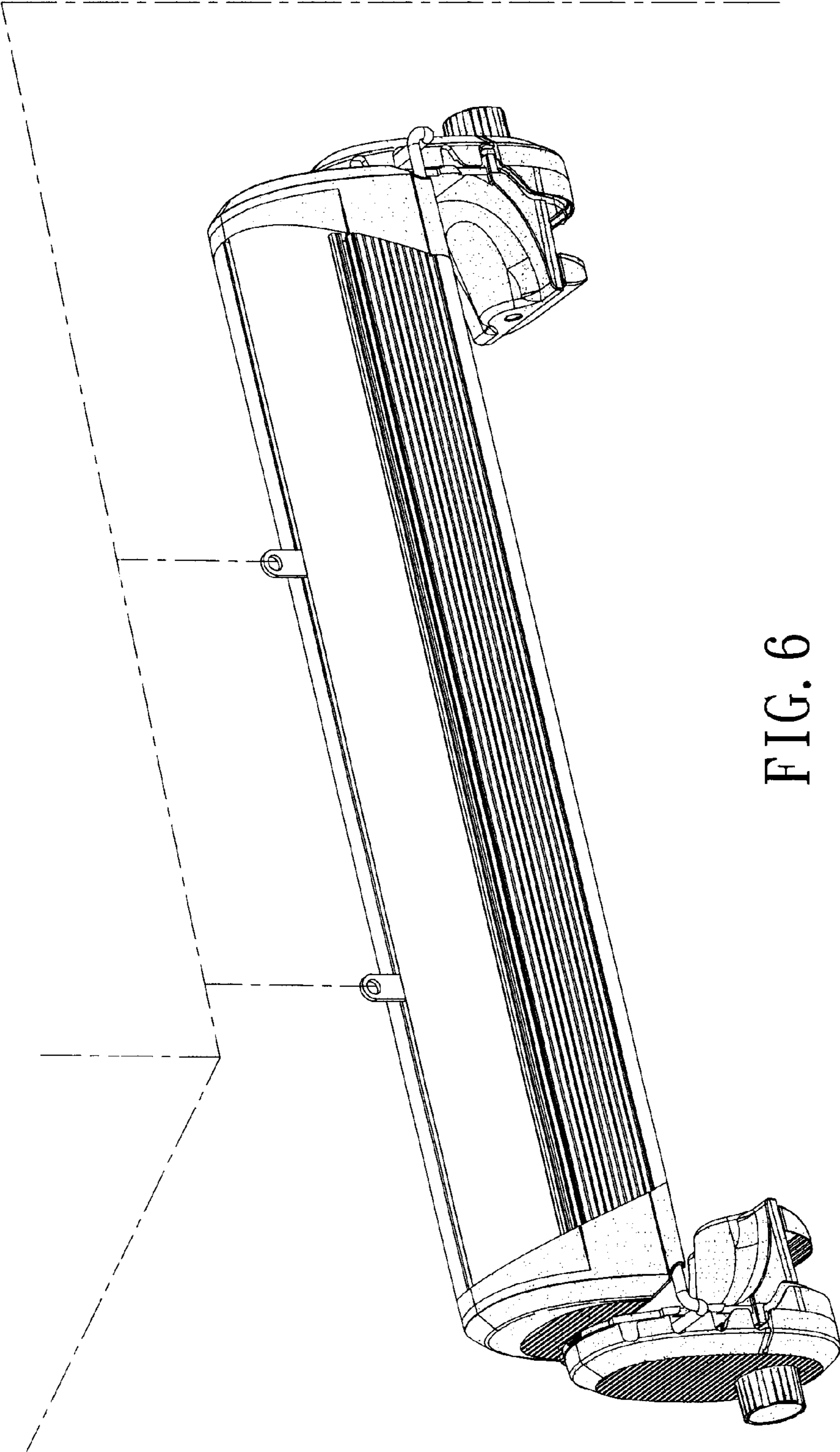


FIG. 6

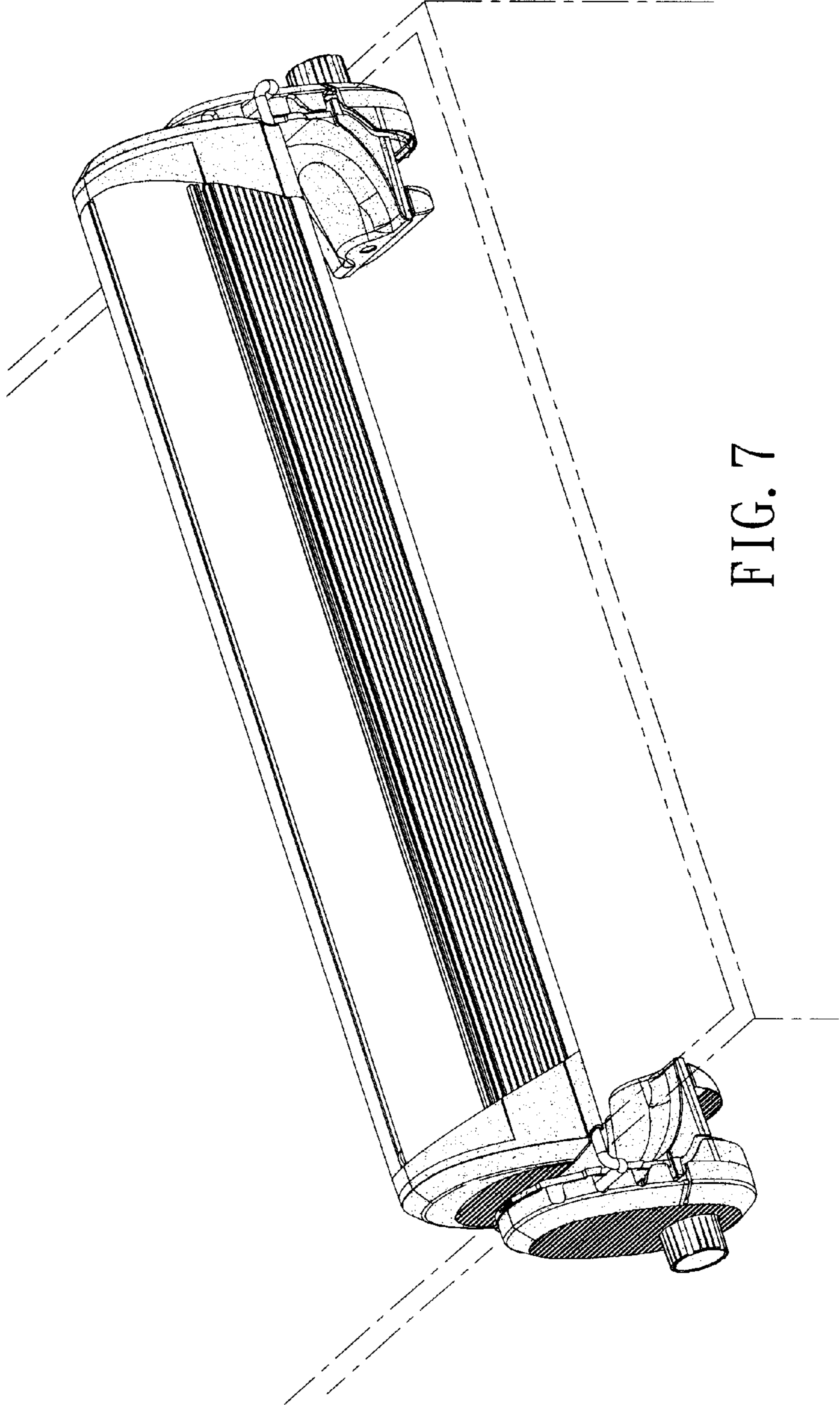


FIG. 7