

US00D543304S

(12) **United States Design Patent**
Chan

(10) **Patent No.:** **US D543,304 S**

(45) **Date of Patent:** **** May 22, 2007**

(54) **READING LAMP**

(75) Inventor: **Sik-Leung Chan**, New Territories (CN)

(73) Assignee: **C. C. & L Company Limited**, Tsuen Wan, New Territories, Hong Kong (CN)

(**) Term: **14 Years**

(21) Appl. No.: **29/258,104**

(22) Filed: **Apr. 17, 2006**

(30) **Foreign Application Priority Data**

Oct. 20, 2005 (HK) 0502550

(51) **LOC (8) Cl.** **26-05**

(52) **U.S. Cl.** **D26/60; D26/63**

(58) **Field of Classification Search** D26/37,
D26/43, 44, 60-63, 65; 362/98, 99, 109-114,
362/191, 197, 198, 287, 427, 396

See application file for complete search history.

(56) **References Cited**

U.S. PATENT DOCUMENTS

D287,412 S * 12/1986 Fung D26/60
D415,585 S * 10/1999 Leung D26/37
6,142,644 A * 11/2000 Leung 362/98
D494,301 S * 8/2004 Lee D26/60

D518,586 S * 4/2006 Kaufman D26/60
2005/0270768 A1 * 12/2005 Lin 362/109

* cited by examiner

Primary Examiner—Clare E Heflin

(74) *Attorney, Agent, or Firm*—Alix, Yale & Ristas, LLP

(57) **CLAIM**

The ornamental design for a reading lamp, as shown and described.

DESCRIPTION

FIG. 1 is a front elevational view of a reading lamp showing my new design;

FIG. 2 is a rear elevational view thereof;

FIG. 3 is a top plan view thereof;

FIG. 4 is a bottom plan view thereof;

FIG. 5 is a left side elevational view thereof;

FIG. 6 is a right side elevational view thereof;

FIG. 7 is a front elevational view with head rotated thereof.

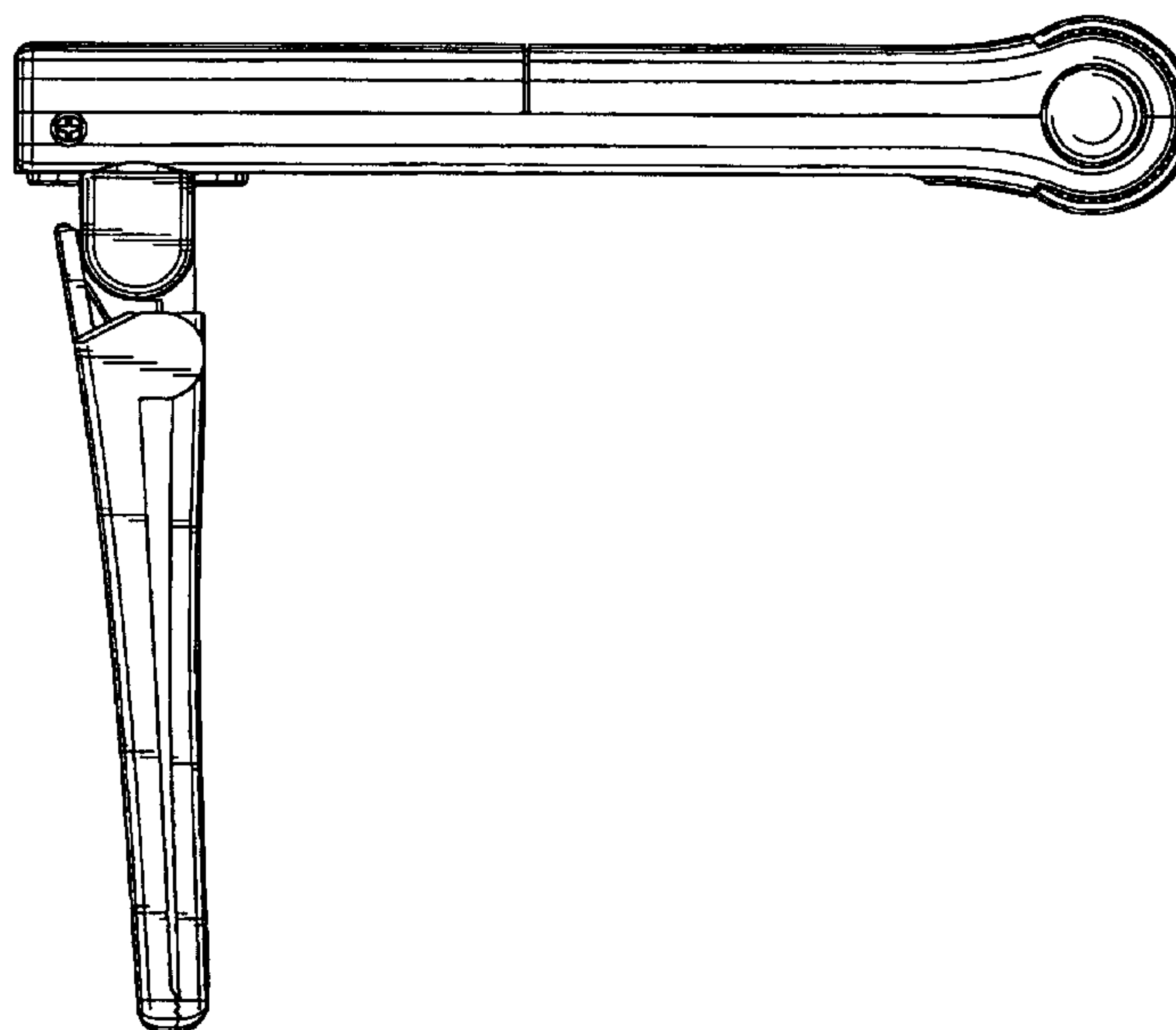
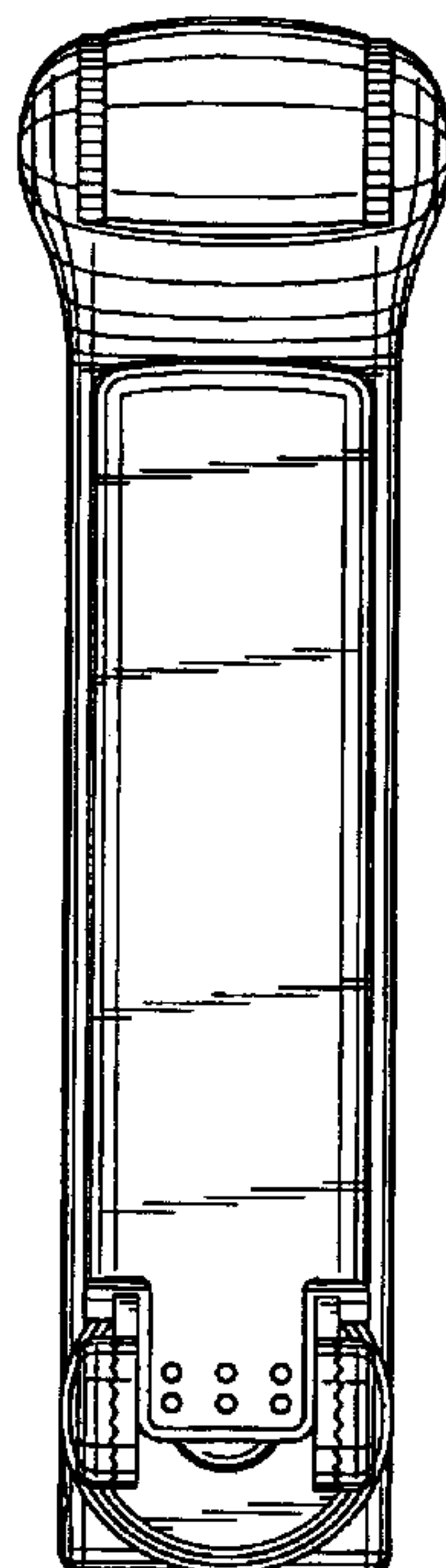
FIG. 8 is a bottom plan view with head rotated thereof;

FIG. 9 is a left side elevational view with head rotated in extended condition thereof;

FIG. 10 is a front elevational view with head rotated in extended condition thereof; and,

FIG. 11 is a bottom plan view with head rotated in extended condition thereof.

1 Claim, 5 Drawing Sheets



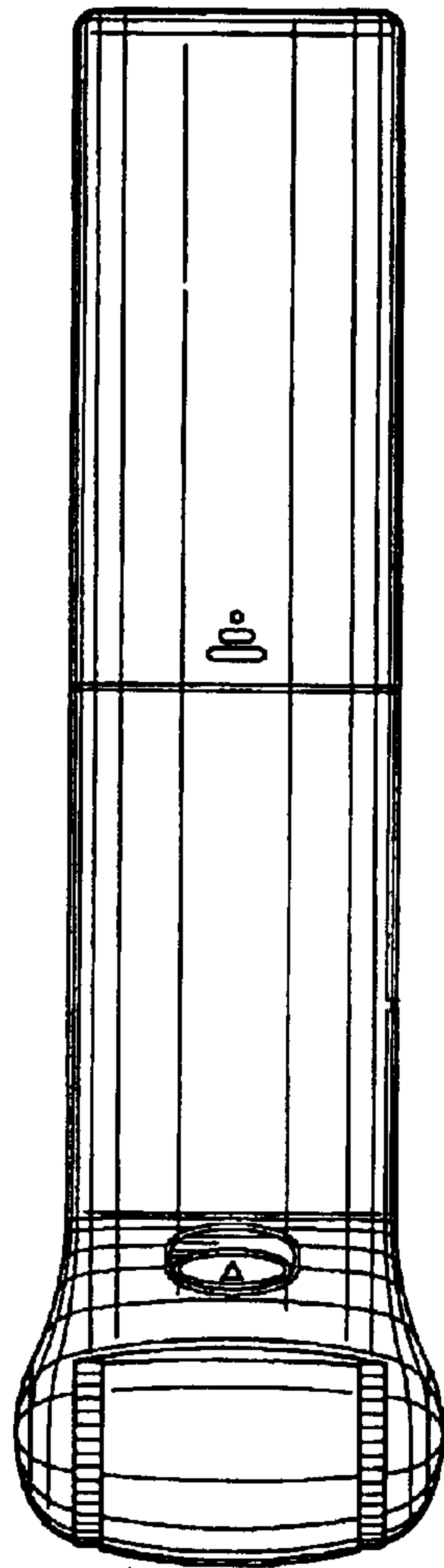


FIG. 3

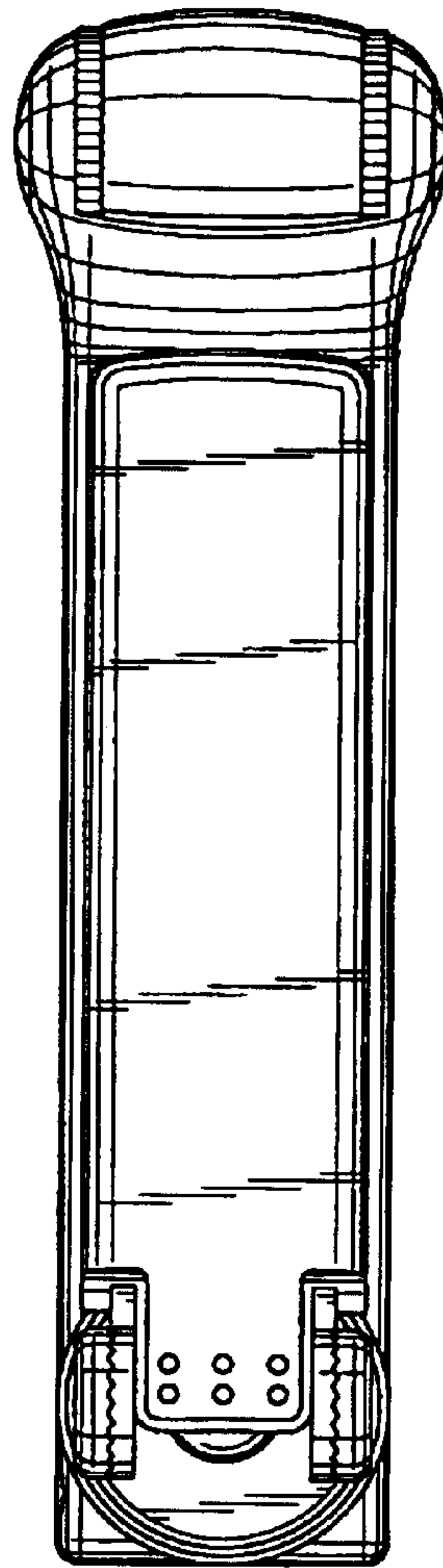


FIG. 4

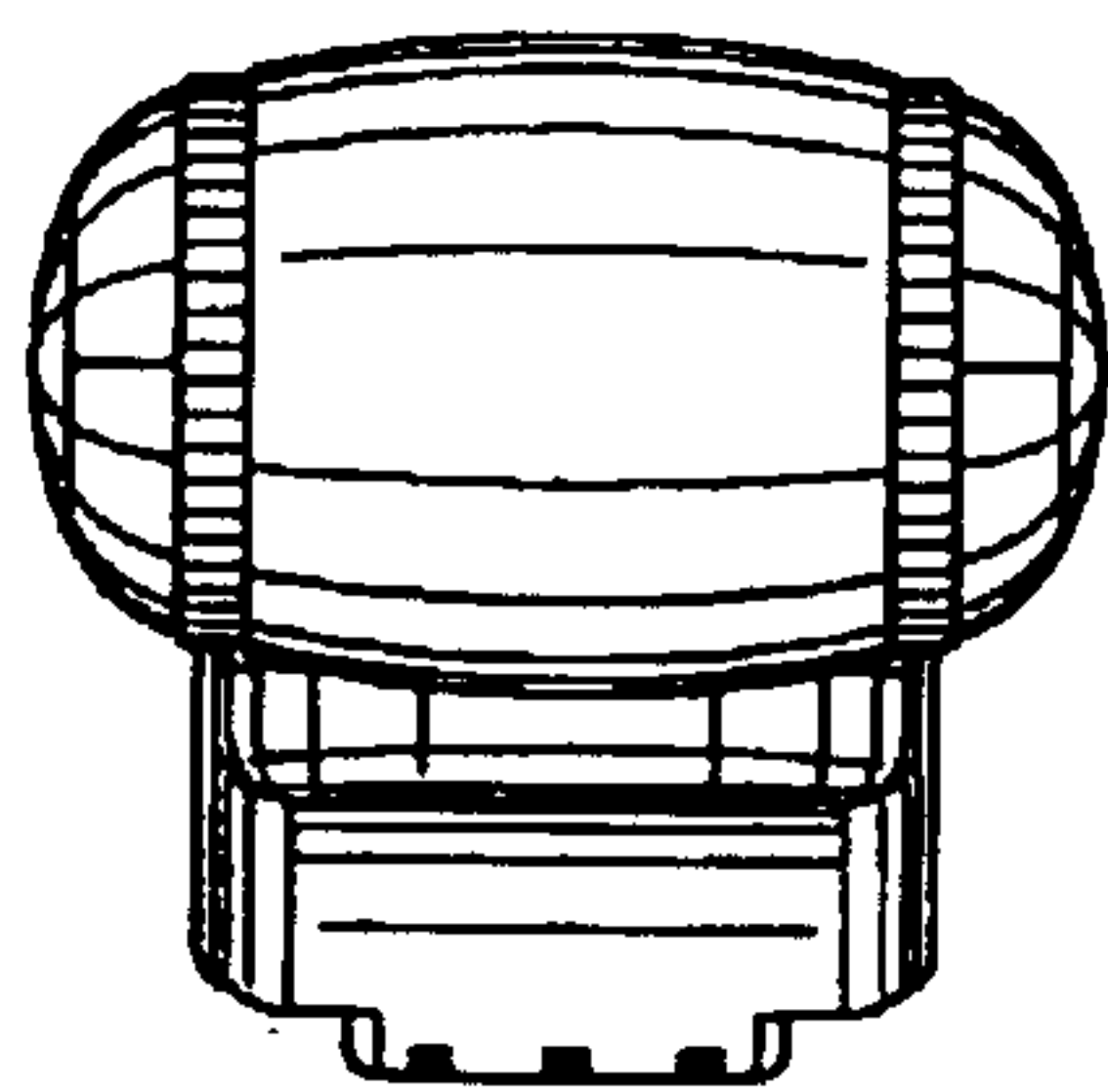


FIG. 1

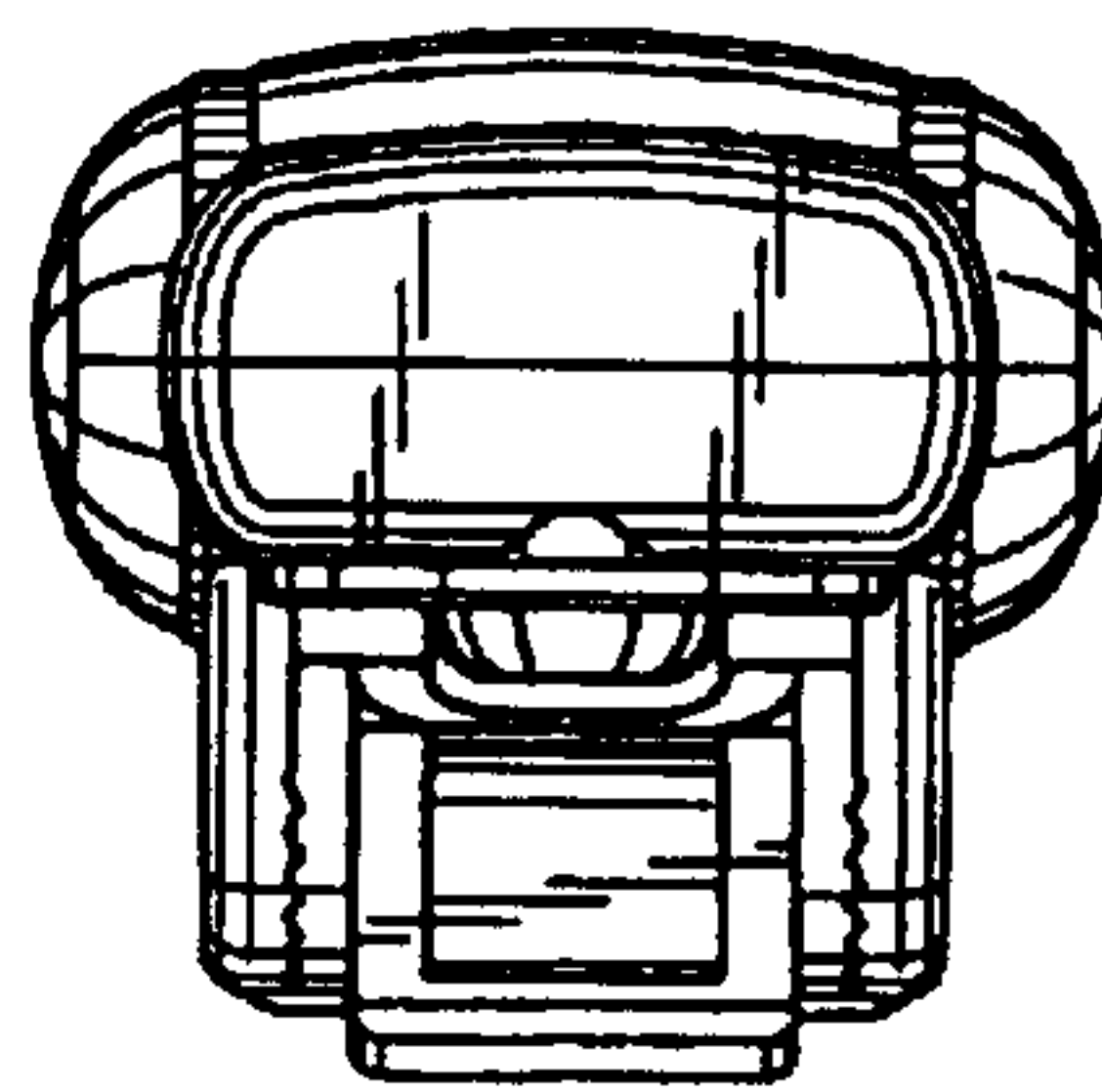


FIG. 2

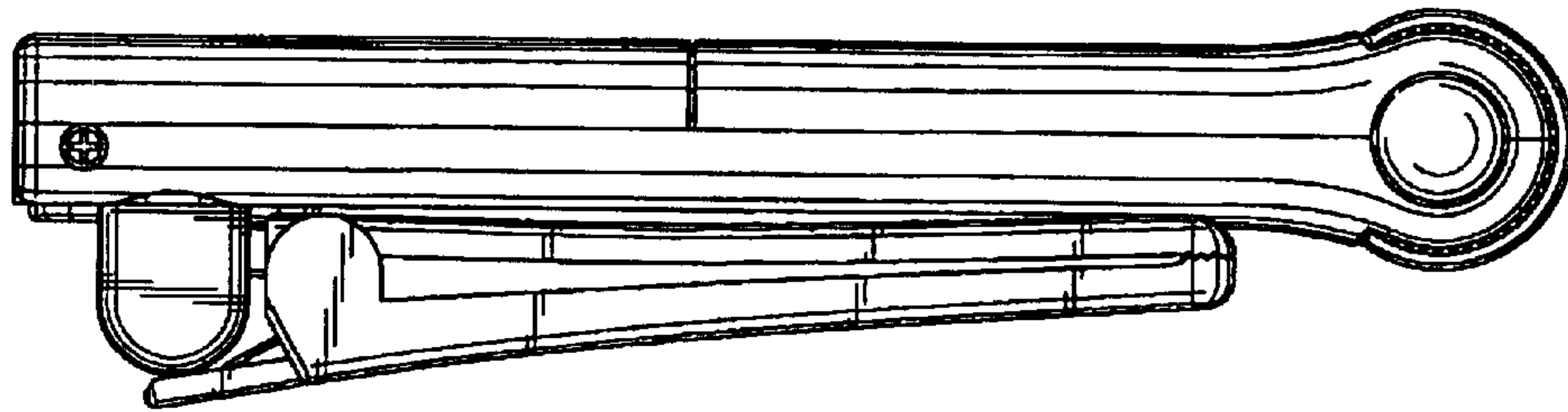


FIG. 5

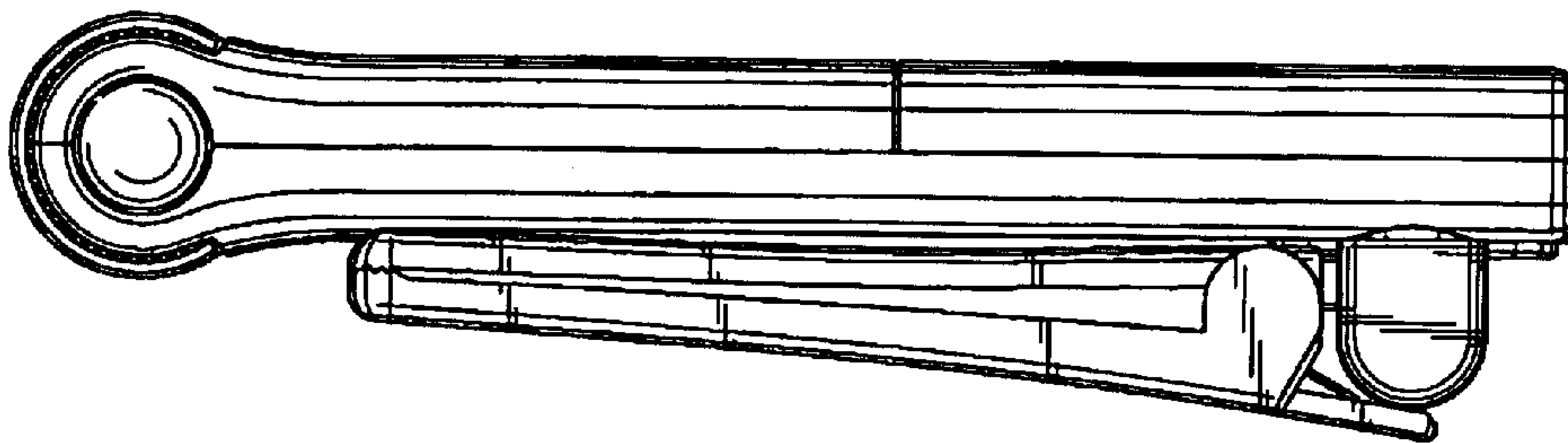


FIG. 6

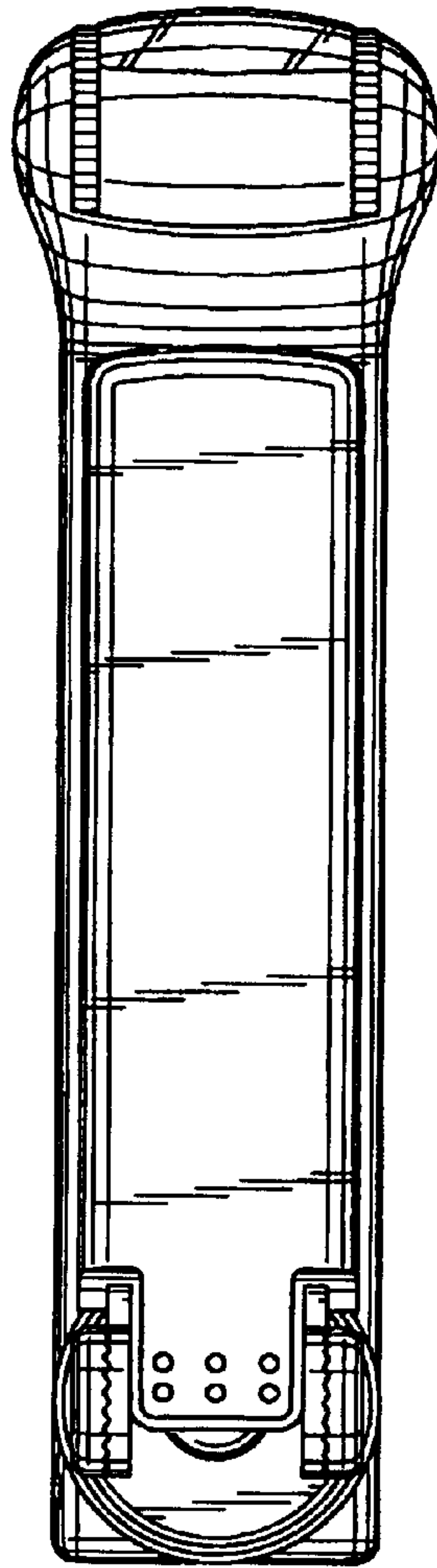


FIG. 8

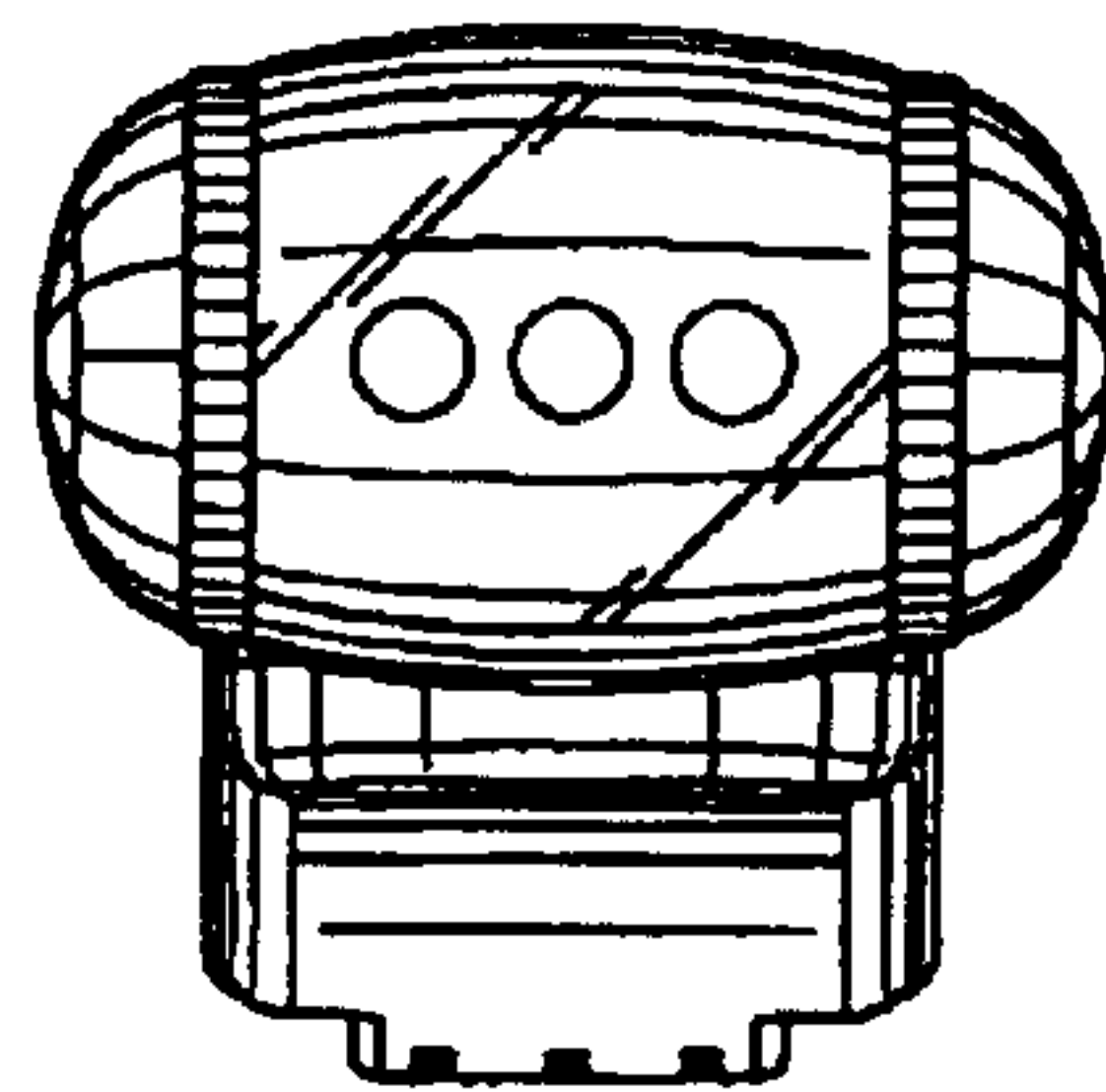


FIG. 7

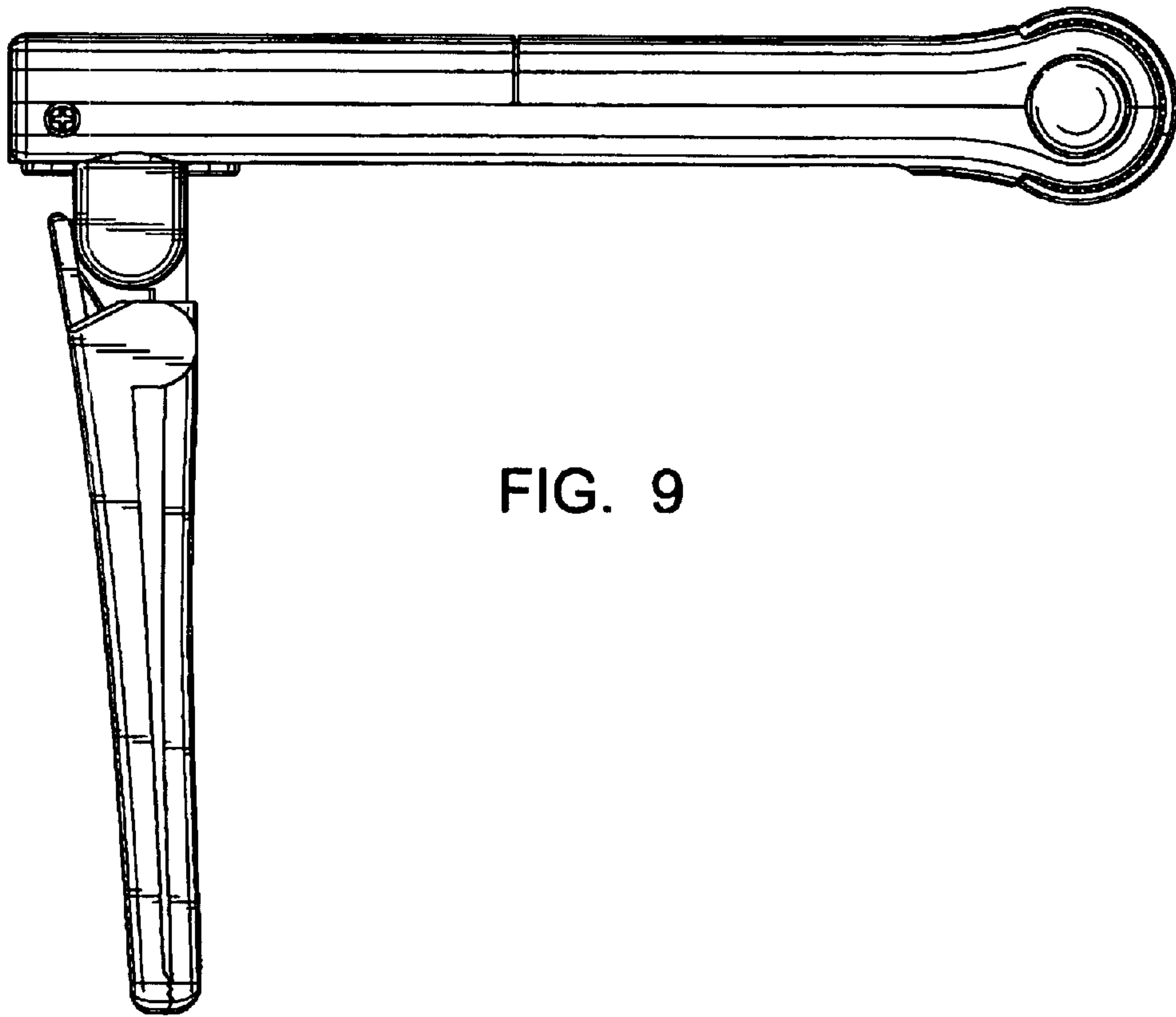


FIG. 9

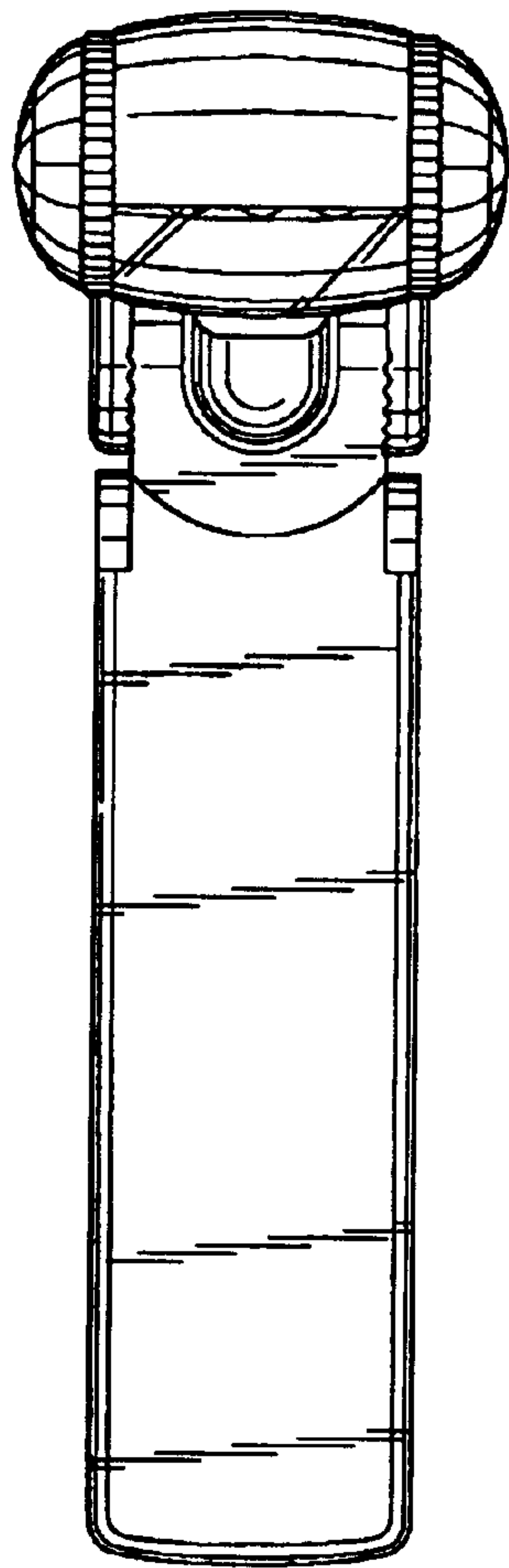


FIG. 10

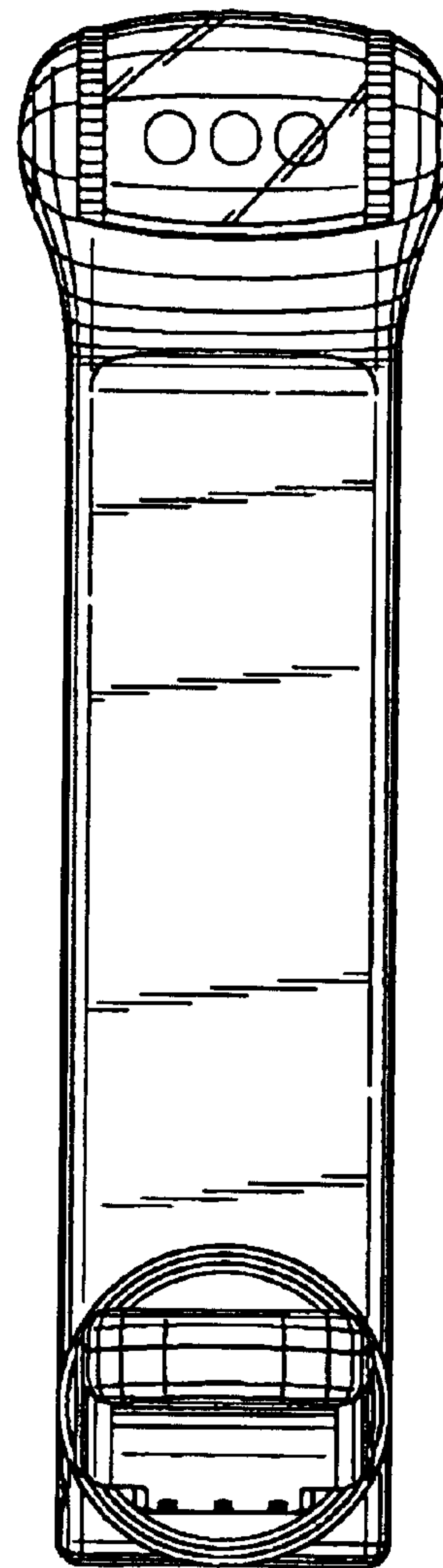


FIG. 11