



US00D543302S

(12) **United States Design Patent**
Ertze

(10) **Patent No.:** **US D543,302 S**

(45) **Date of Patent:** **** May 22, 2007**

(54) **CEILING FAN LIGHT KIT**

D483,463 S	12/2003	Tai
D483,464 S	12/2003	Tai
D483,465 S	12/2003	Tai
D483,847 S	12/2003	Tai
D483,848 S	12/2003	Tai
D483,849 S	12/2003	Tai
D483,850 S	12/2003	Tai
D484,588 S	12/2003	Tai
D484,969 S	1/2004	Tai
D485,344 S	1/2004	Tai
D485,609 S	1/2004	Tai
D485,611 S	1/2004	Tai

(75) Inventor: **Pablo J. Ertze**, Rancho Cucamonga, CA (US)

(73) Assignee: **Landmark Enterprise, Inc.**, Bander Seri Begawan (BN)

(**) Term: **14 Years**

(21) Appl. No.: **29/260,552**

(22) Filed: **May 25, 2006**

(Continued)

(51) **LOC (8) Cl.** **26-05**

(52) **U.S. Cl.** **D26/59**

(58) **Field of Classification Search** D26/59,
D26/51, 72, 80-86, 73; D23/377, 379, 385,
D23/411; 362/96; 416/5

See application file for complete search history.

Primary Examiner—Lisa Lichtenstein

(74) *Attorney, Agent, or Firm*—Morrison & Foerster LLP

(57) **CLAIM**

The ornamental design for a ceiling fan light kit, as shown and described.

(56) **References Cited**

U.S. PATENT DOCUMENTS

5,508,484 A	4/1996	Chen	
D396,530 S	7/1998	Tai	
D404,808 S	1/1999	Tai	
D404,809 S	1/1999	Tai	
D405,878 S	2/1999	Tai	
D408,073 S	4/1999	Tai	
D408,074 S	4/1999	Tai	
D408,516 S	4/1999	Tai	
D409,297 S	5/1999	Tai	
6,059,531 A	5/2000	Tai	
6,135,618 A	10/2000	Tai	
6,259,025 B1	7/2001	Tai	
6,379,116 B1	4/2002	Tai	
D457,947 S	5/2002	Tai	
6,392,146 B1	5/2002	Tai	
D458,675 S	6/2002	Tai	
D478,381 S	8/2003	Tai	
D480,800 S	* 10/2003	Stauffer D23/411

DESCRIPTION

FIG. 1 is a perspective view of a ceiling fan light kit showing my new design;

FIG. 2 is an enlarged perspective view of a ceiling fan light kit in accordance with the present invention;

FIG. 3 is another perspective view of the ceiling fan light kit in accordance with the present invention;

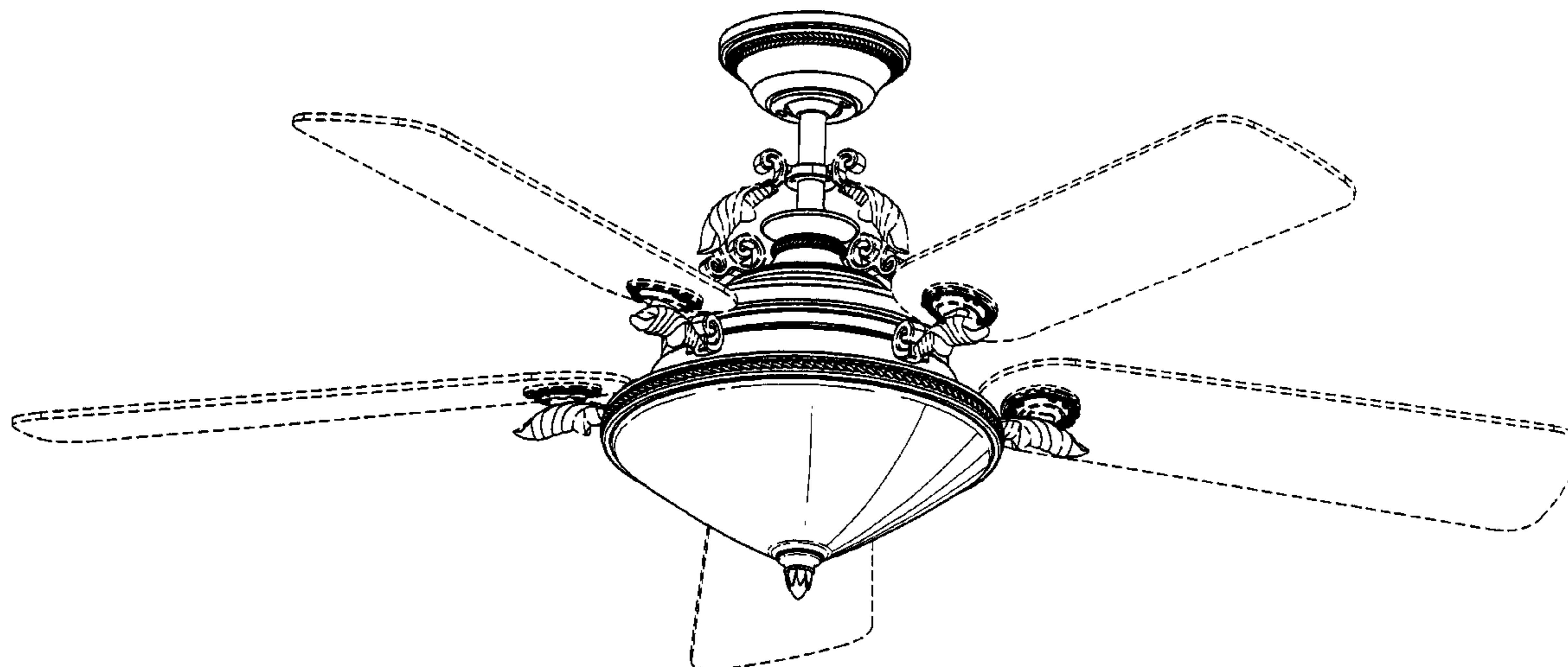
FIG. 4 is an enlarged top view of the ceiling fan light kit in accordance with the present invention;

FIG. 5 is an enlarged bottom view of the ceiling fan light kit in accordance with the present invention; and,

FIG. 6 is an enlarged front view of the ceiling fan light kit in accordance with the present invention, the side views and the rear view being substantially the same.

The broken line showing of a ceiling fan is included for the purpose of illustrating environmental structure and forms no part of the claimed design.

1 Claim, 4 Drawing Sheets



US D543,302 S

Page 2

U.S. PATENT DOCUMENTS

D485,897 S	1/2004	Tai	D503,476 S	3/2005	Tai
D490,888 S	6/2004	Tai	D503,795 S	4/2005	Tai
D494,705 S	8/2004	Tai	D504,173 S	4/2005	Cohen
D501,578 S	2/2005	Tai	D505,197 S	5/2005	Tai
D503,472 S	3/2005	Tai	D505,724 S	5/2005	Tai
D503,473 S	3/2005	Tai	D507,644 S	7/2005	Tai
D503,474 S	3/2005	Tai	D507,830 S	7/2005	Pan
D503,475 S	3/2005	Tai			

* cited by examiner

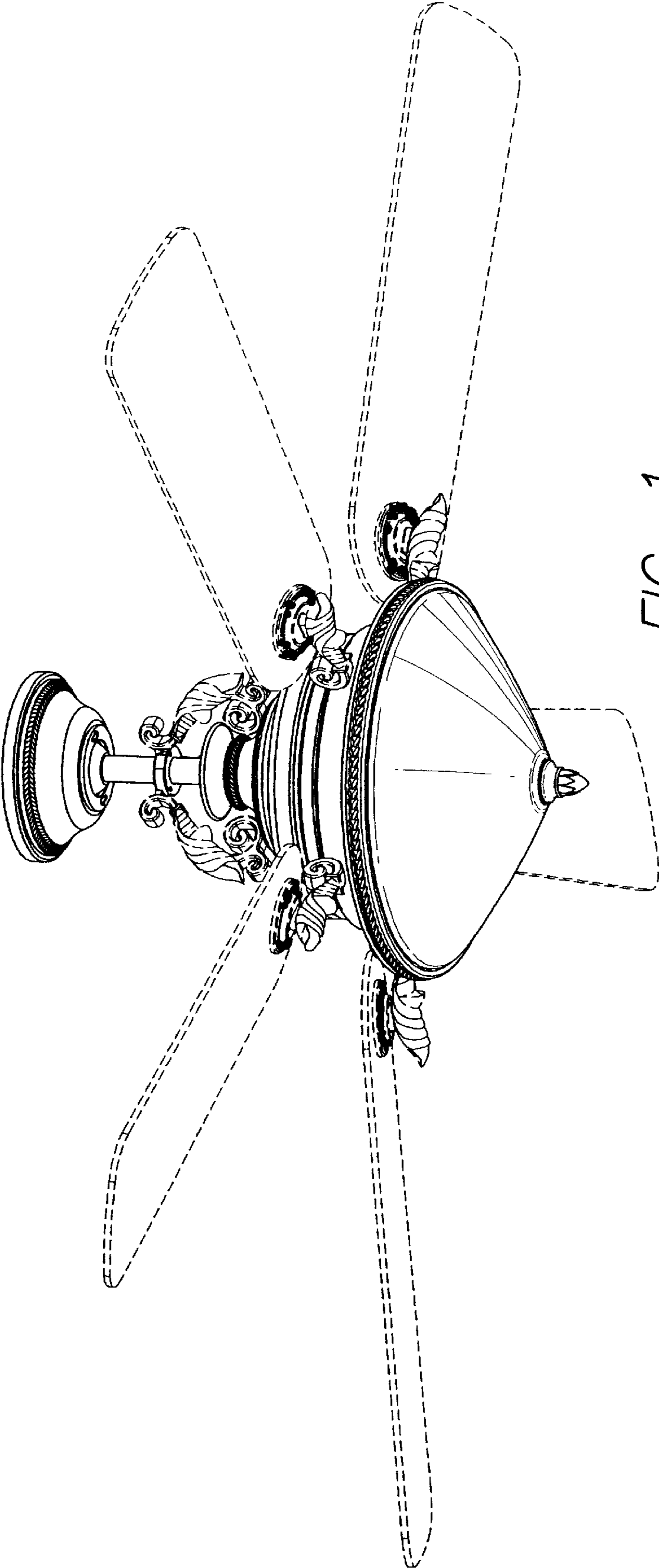


FIG. 1

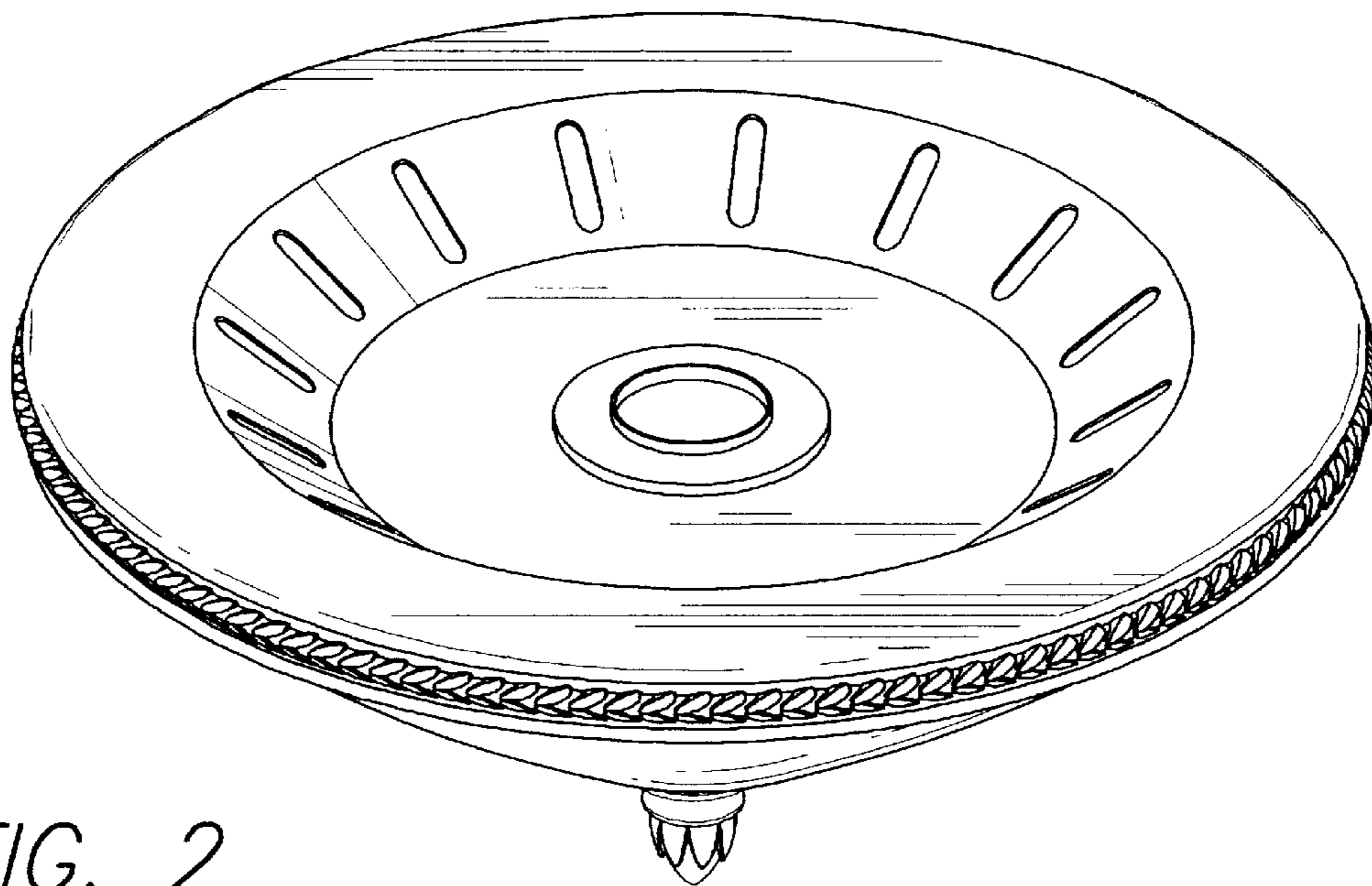


FIG. 2

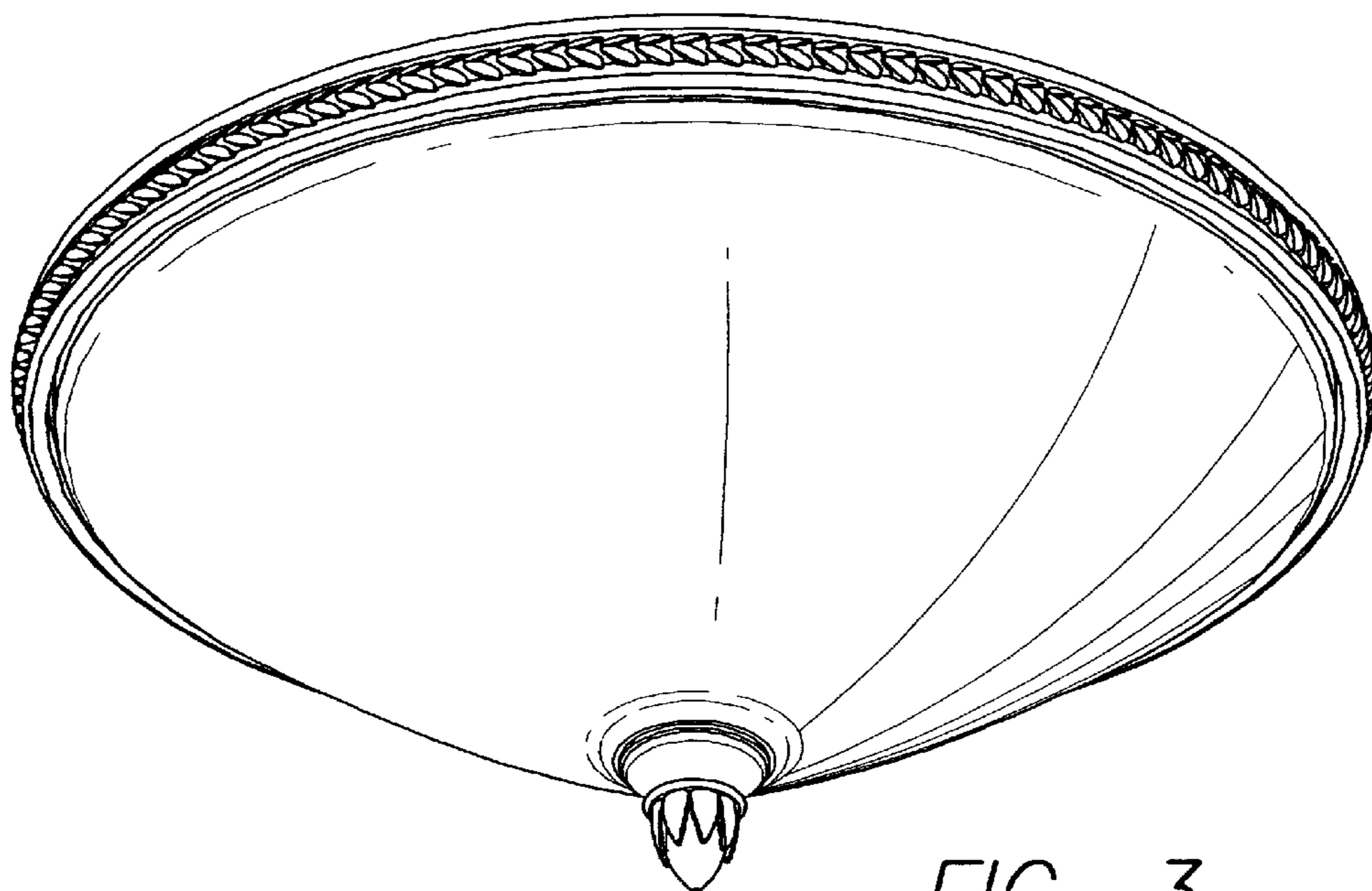


FIG. 3

FIG. 4

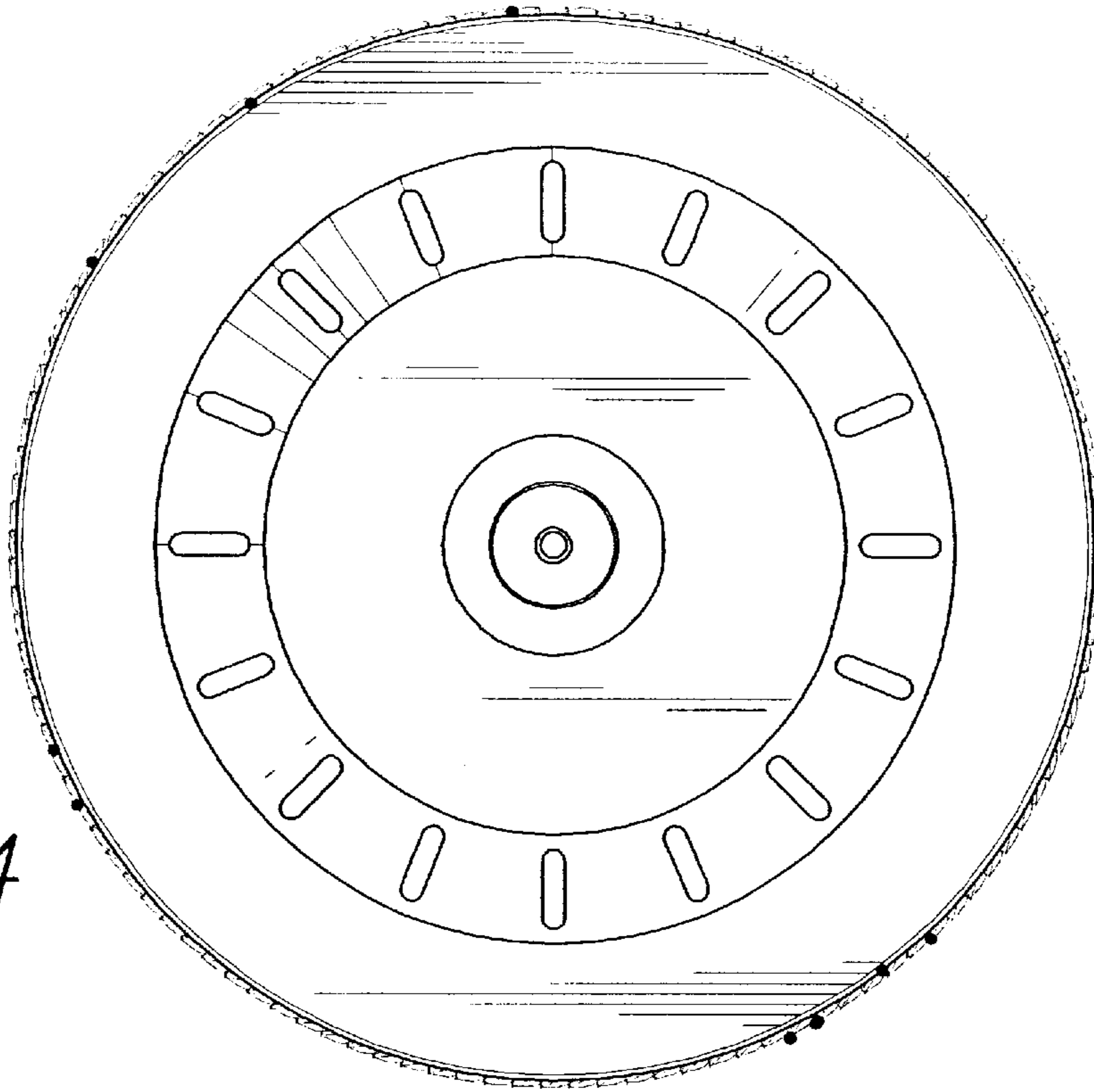


FIG. 5

