



US00D543300S

(12) **United States Design Patent**
Lee

(10) **Patent No.:** **US D543,300 S**
(45) **Date of Patent:** **** May 22, 2007**

(54) **SELF-POWERED FLASHLIGHT**

(75) Inventor: **Yikhong Lee, Zhual (CN)**

(73) Assignee: **Zhuhai Dejia Electric Appliances Co., Ltd., Zhuhai (CN)**

(**) Term: **14 Years**

(21) Appl. No.: **29/264,896**

(22) Filed: **Aug. 22, 2006**

(30) **Foreign Application Priority Data**

Feb. 22, 2006 (CN) 2006 3 0052659

(51) **LOC (8) Cl.** **26-02**

(52) **U.S. Cl.** **D26/37**

(58) **Field of Classification Search** D26/37-50;
362/157, 158, 171-174, 183-208

See application file for complete search history.

(56) **References Cited**

U.S. PATENT DOCUMENTS

D504,737 S * 5/2005 Osiecki et al. D26/37

D509,611 S * 9/2005 Chou D26/37

D529,211 S * 9/2006 Lee D26/37

* cited by examiner

Primary Examiner—Marcus A. Jackson

(74) *Attorney, Agent, or Firm*—Nixon & Vanderhye P.C.

(57) **CLAIM**

The ornamental design for a self-powered flashlight, as shown and described.

DESCRIPTION

FIG. 1 is a front view of a self-powered flashlight according to our design;

FIG. 2 is a rear view thereof;

FIG. 3 is a top view thereof (on an enlarged scale);

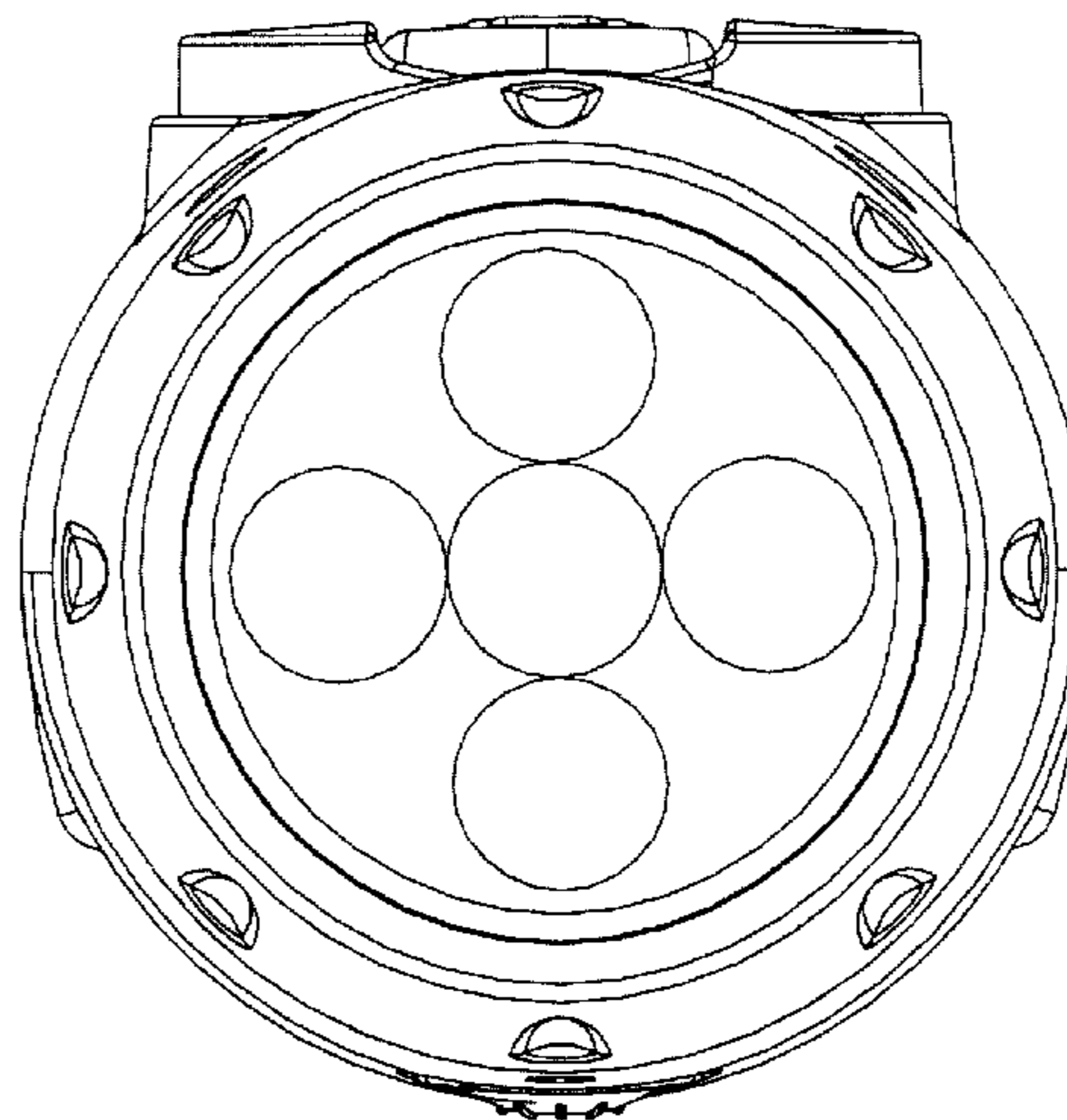
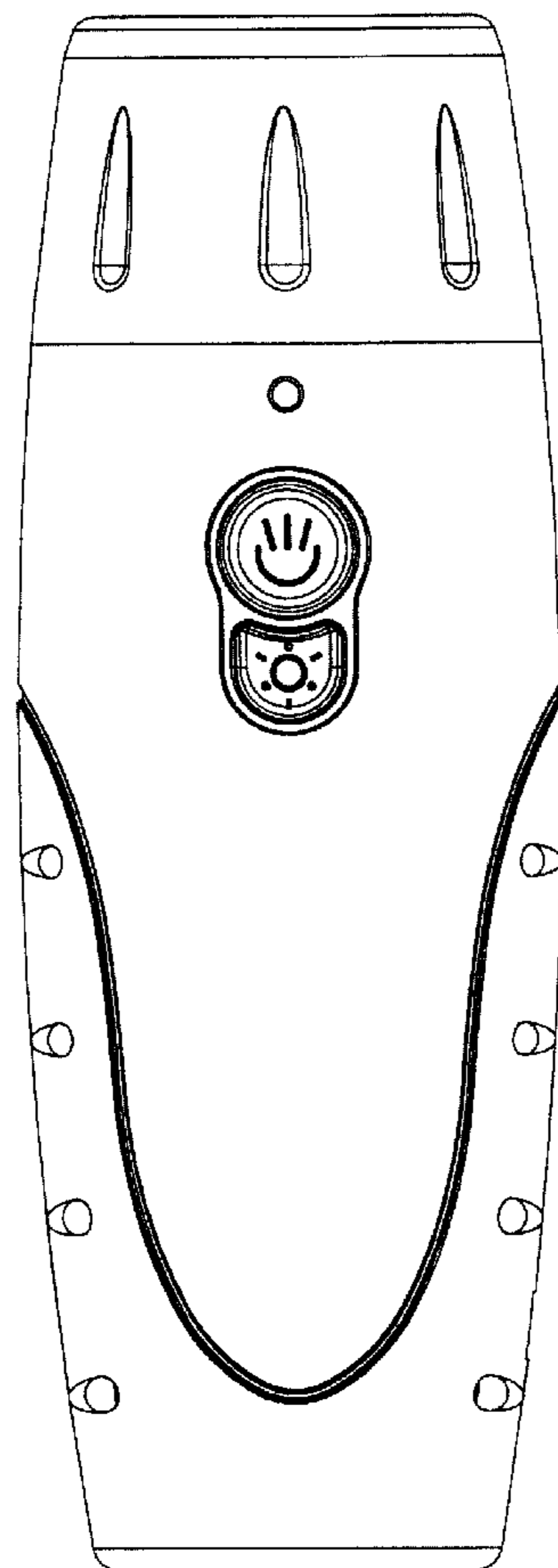
FIG. 4 is a bottom view thereof (on an enlarged scale);

FIG. 5 is a left side view thereof; and,

FIG. 6 is a right side view thereof.

Throughout the various figures of the drawings, certain views may not be provided. The omission of a particular view is intended to convey that the element(s) depicted is/are plain and unornamental in that omitted view, or that the particular ornamental appearance in that view is simply not claimed.

1 Claim, 6 Drawing Sheets



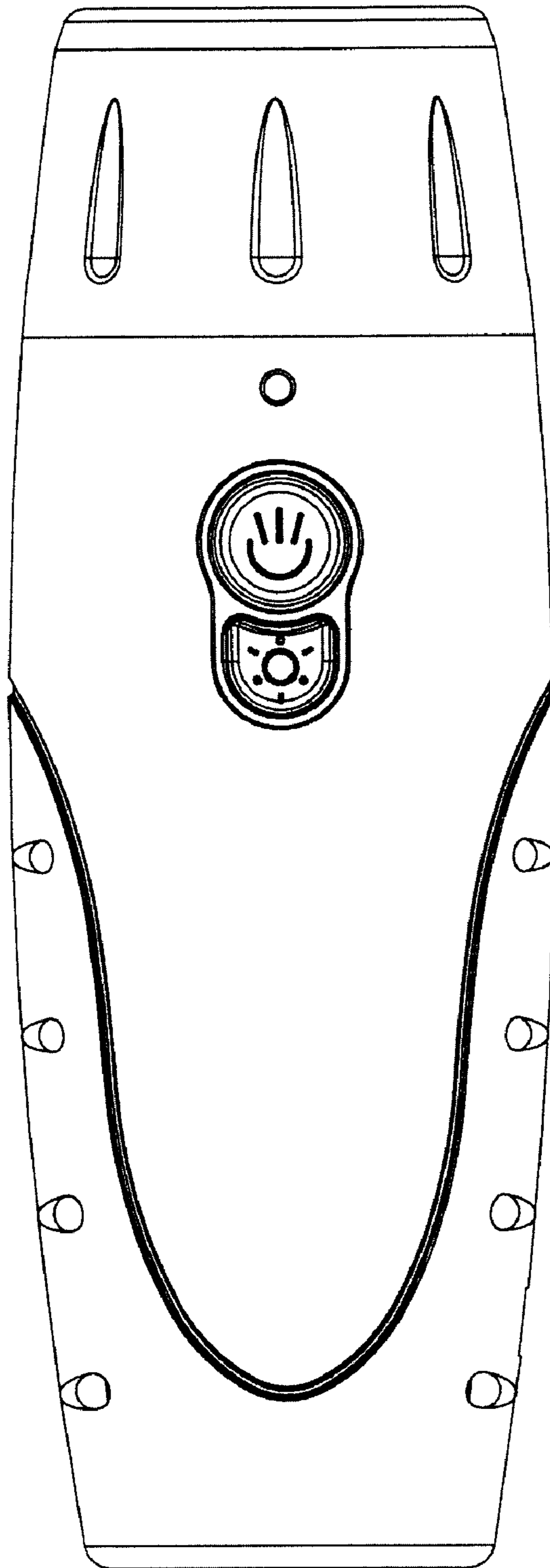


FIG. 1

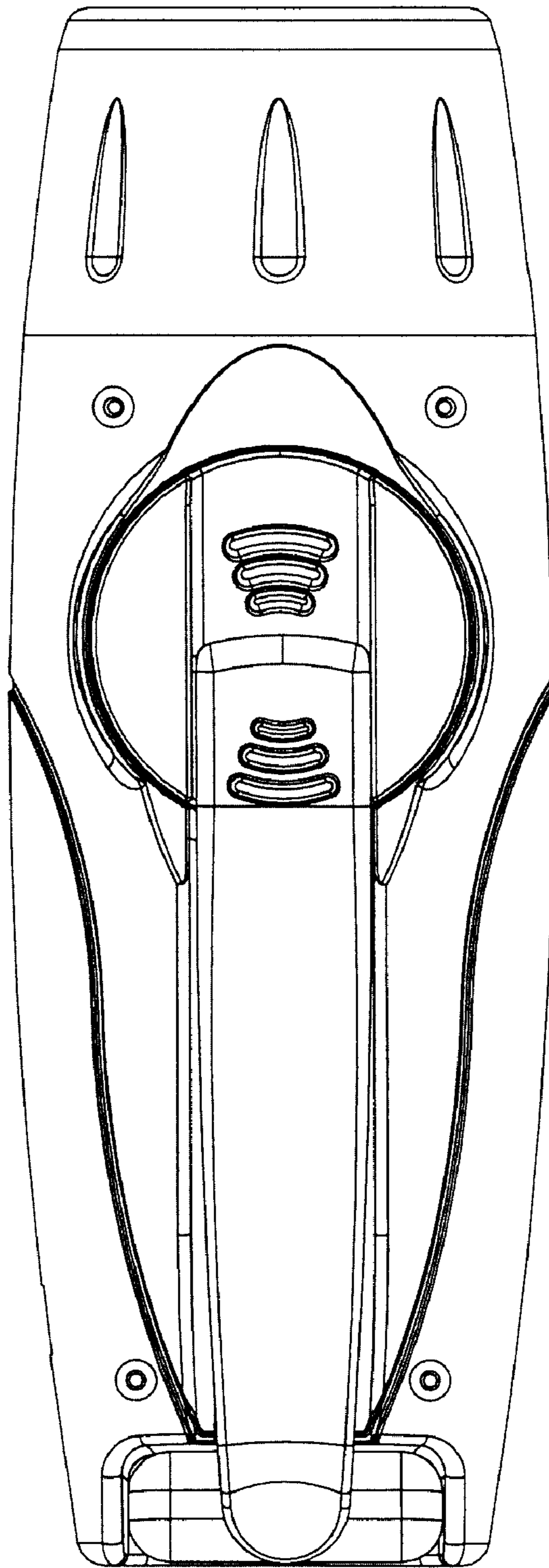


FIG. 2

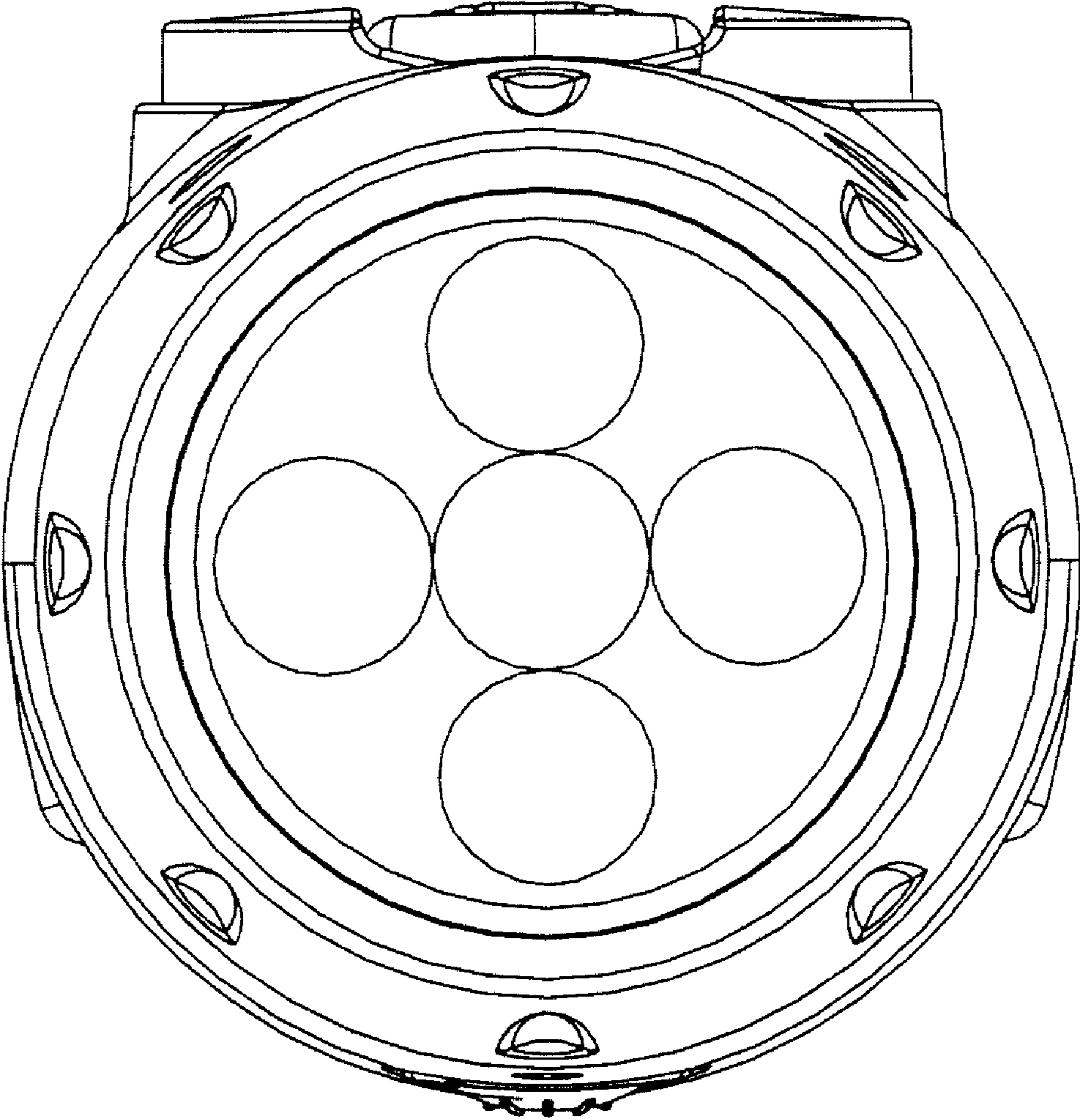


FIG. 3

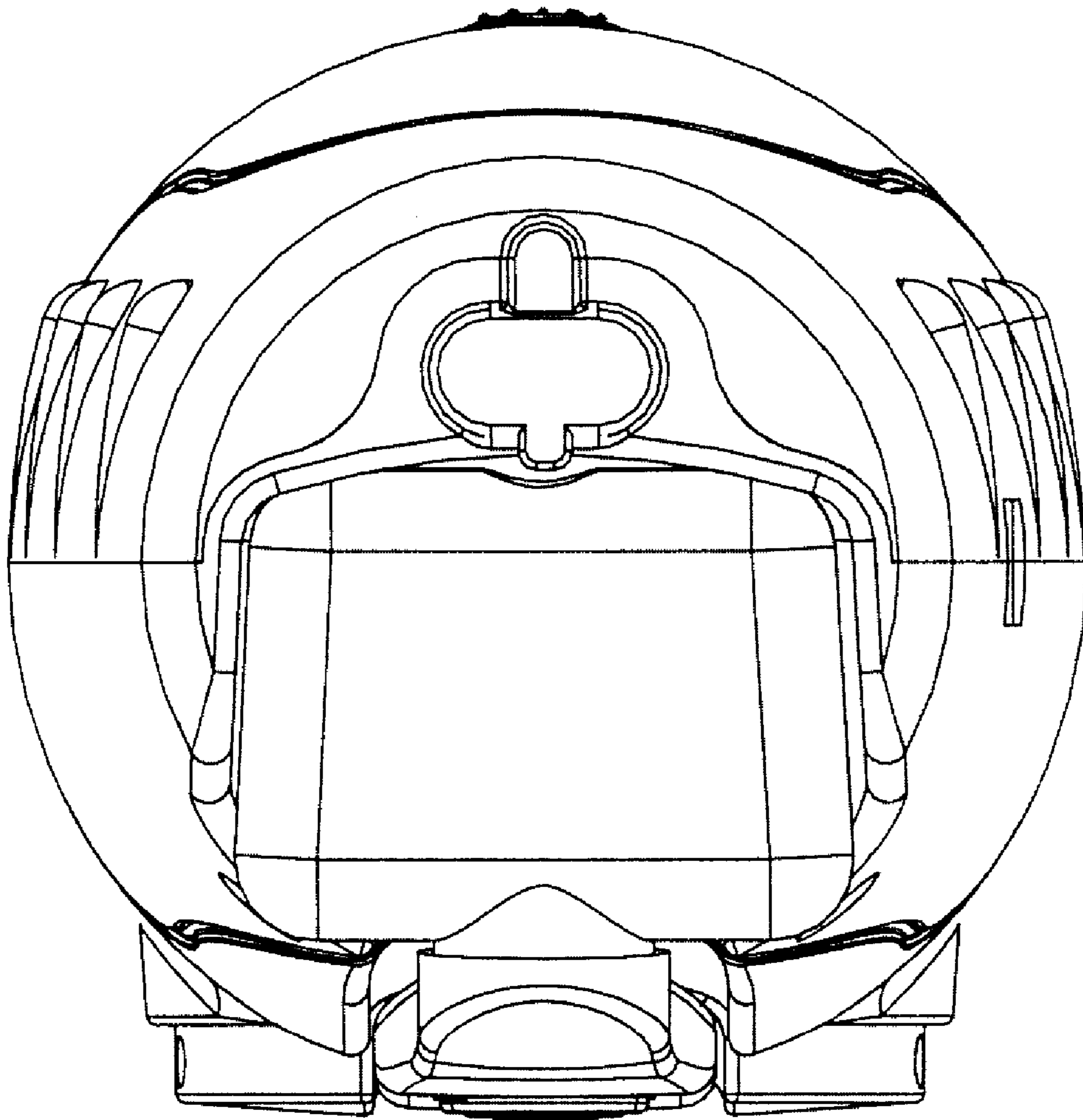


FIG. 4

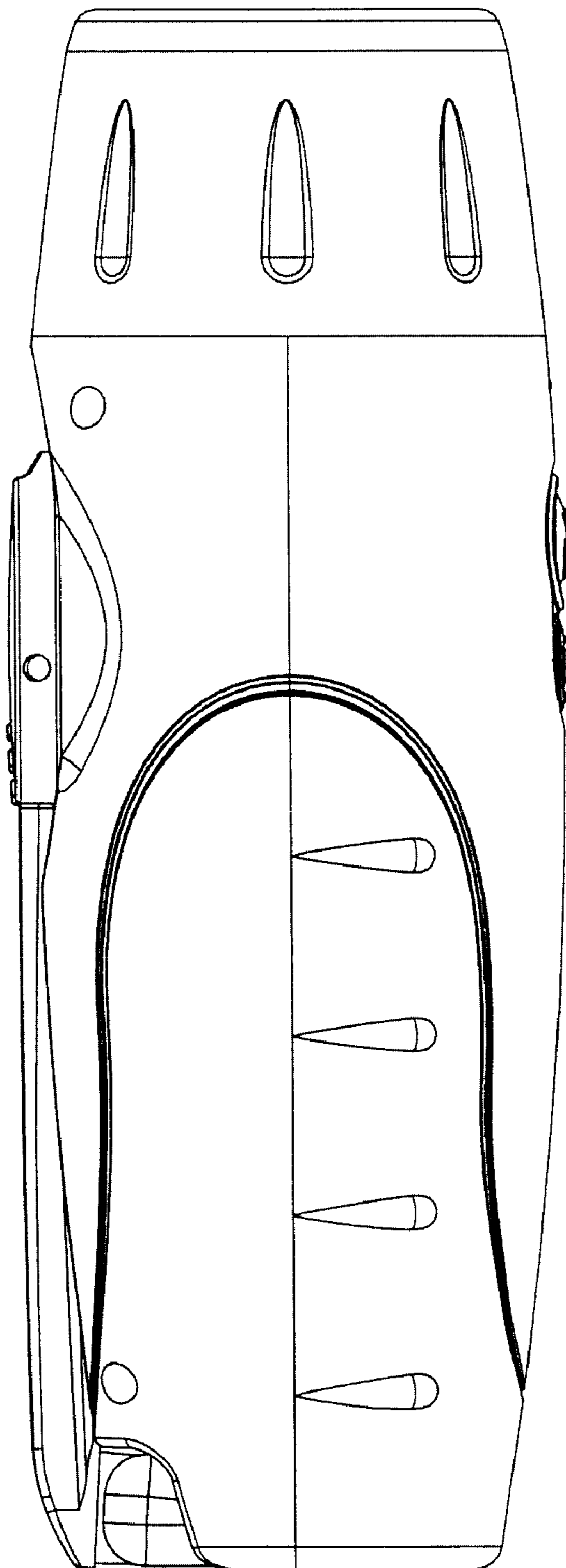


FIG. 5

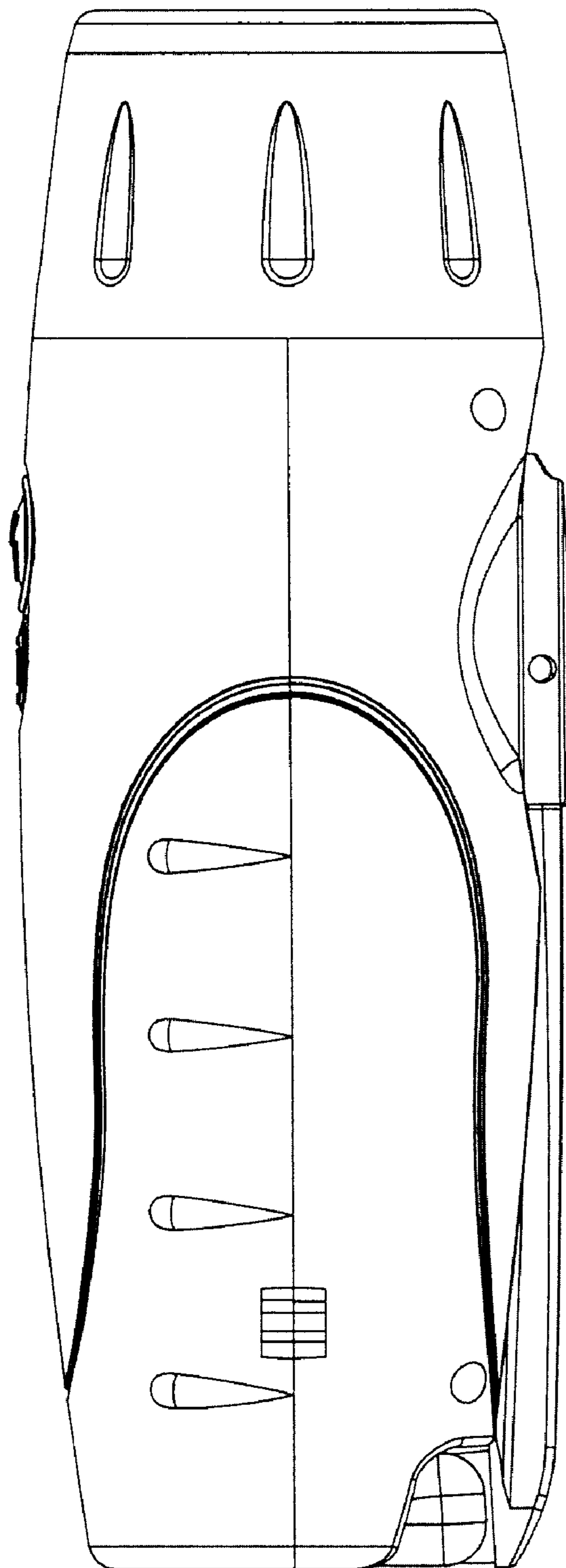


FIG. 6