



US00D543299S

(12) **United States Design Patent**
Lee

(10) **Patent No.:** **US D543,299 S**
(45) **Date of Patent:** **** May 22, 2007**

(54) **SELF-POWERED FLASHLIGHT**

(75) Inventor: **Yikhong Lee, Zhuhai (CN)**

(73) Assignee: **Chuhai Dejia Electric Appliances Co., Ltd., Zhuhai (CN)**

(**) Term: **14 Years**

(21) Appl. No.: **29/264,895**

(22) Filed: **Aug. 22, 2006**

(30) **Foreign Application Priority Data**

Feb. 22, 2006 (CN) 200630052660

(51) **LOC (8) Cl.** **26-02**

(52) **U.S. Cl.** **D26/37**

(58) **Field of Classification Search** D26/37-50;
362/157, 158, 171-174, 183-208
See application file for complete search history.

(56) **References Cited**

U.S. PATENT DOCUMENTS

D504,737 S * 5/2005 Osiecki et al. D26/37
D509,611 S * 9/2005 Chou D26/37
D529,211 S * 9/2006 Lee D26/37

* cited by examiner

Primary Examiner—Marcus A. Jackson

(74) *Attorney, Agent, or Firm*—Nixon & Vanderhye P.C.

(57) **CLAIM**

The ornamental design for a self-powered flashlight, as shown and described.

DESCRIPTION

FIG. 1 is a front view of a self-powered flashlight according to our design;

FIG. 2 is a rear view thereof;

FIG. 3 is a top view thereof (on an enlarged scale);

FIG. 4 is a bottom view thereof (on an enlarged scale);

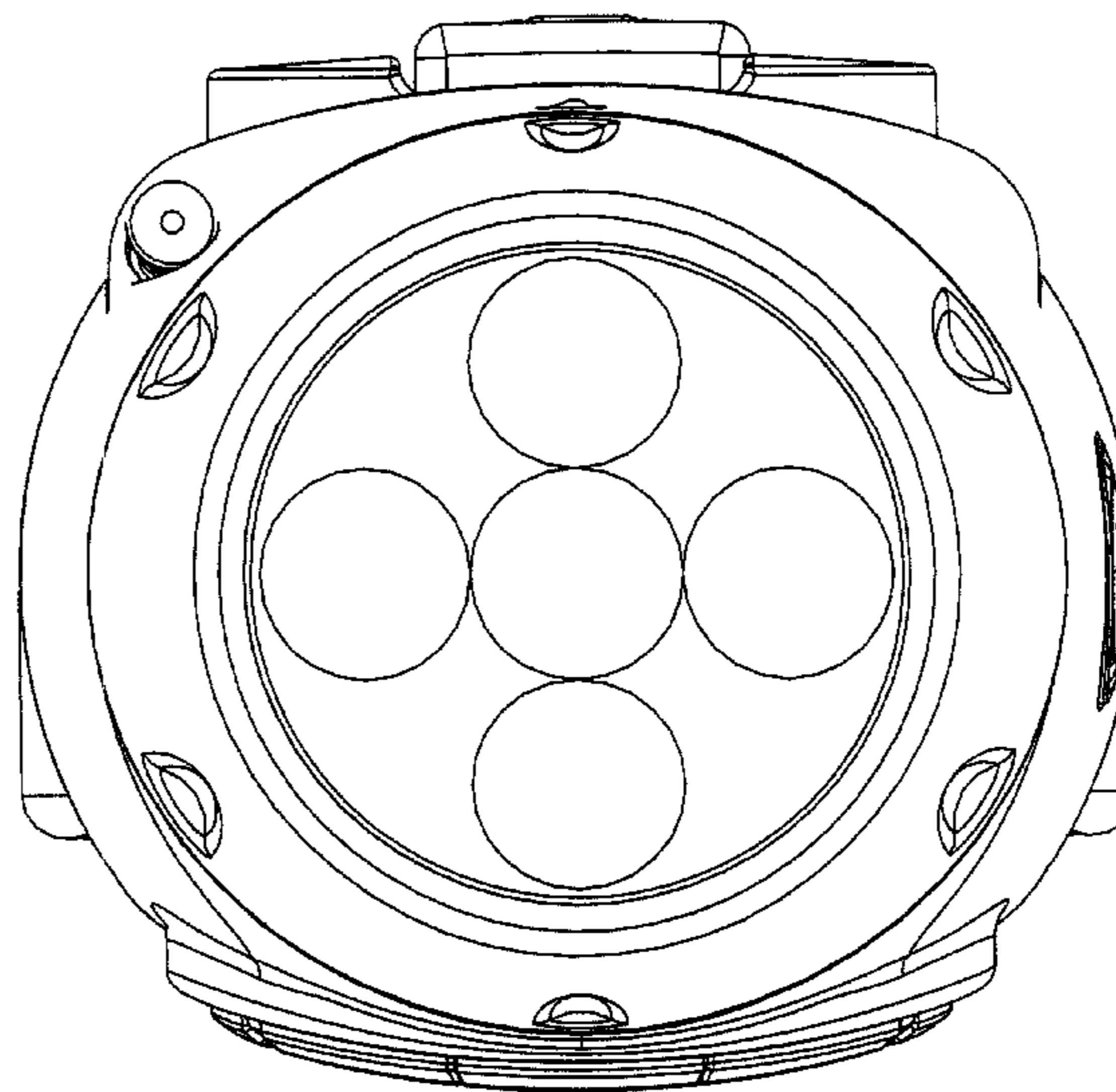
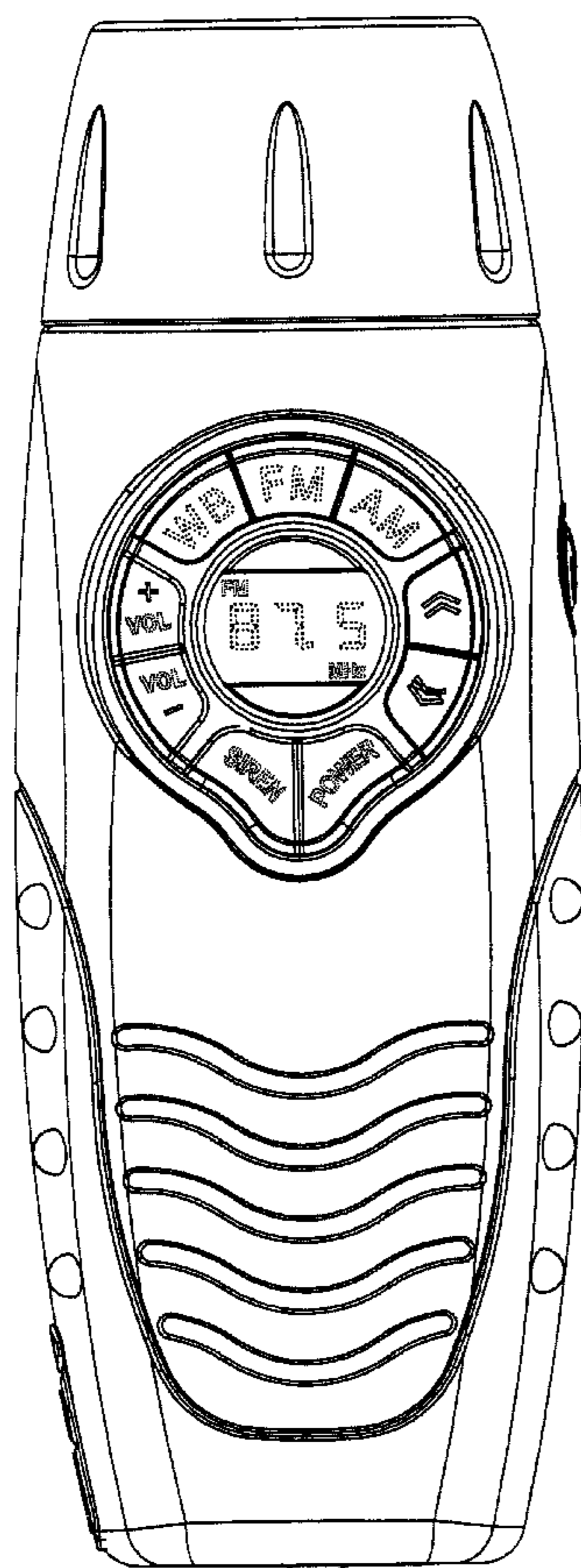
FIG. 5 is a left side view thereof; and,

FIG. 6 is a right side view thereof.

Throughout the various figures of the drawings, certain views may not be provided. The omission of a particular view is intended to convey that the element(s) depicted is/are plain and unornamented in that omitted view, or that the particular ornamental appearance in that view is simply not claimed.

Where included, broken lines showing environment or structure are for illustrative purposes only and form no part of the claimed design.

1 Claim, 6 Drawing Sheets



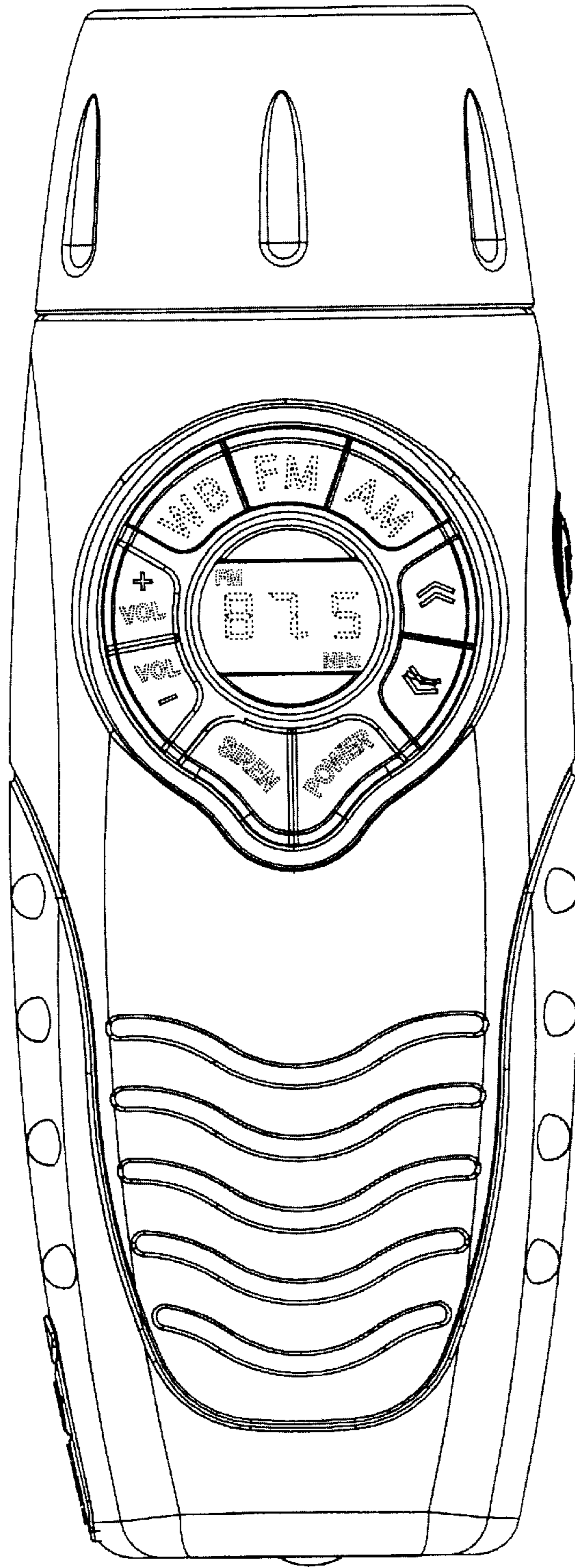


FIG. 1

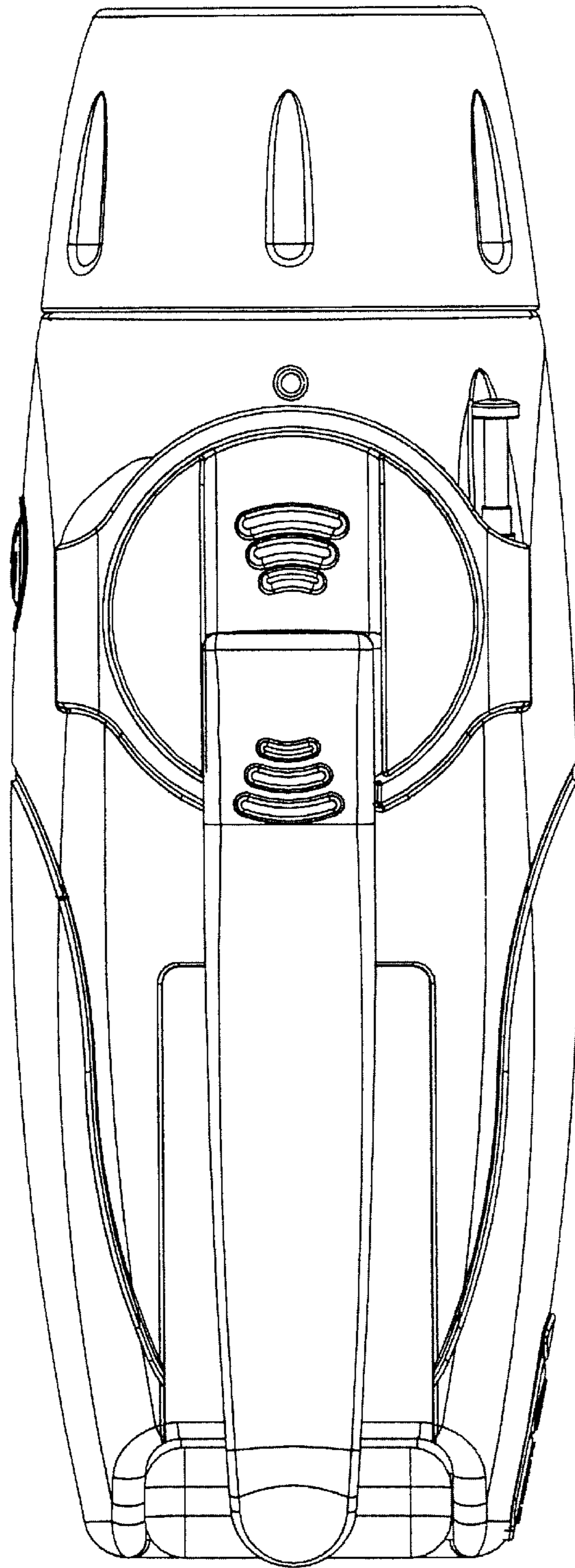


FIG. 2

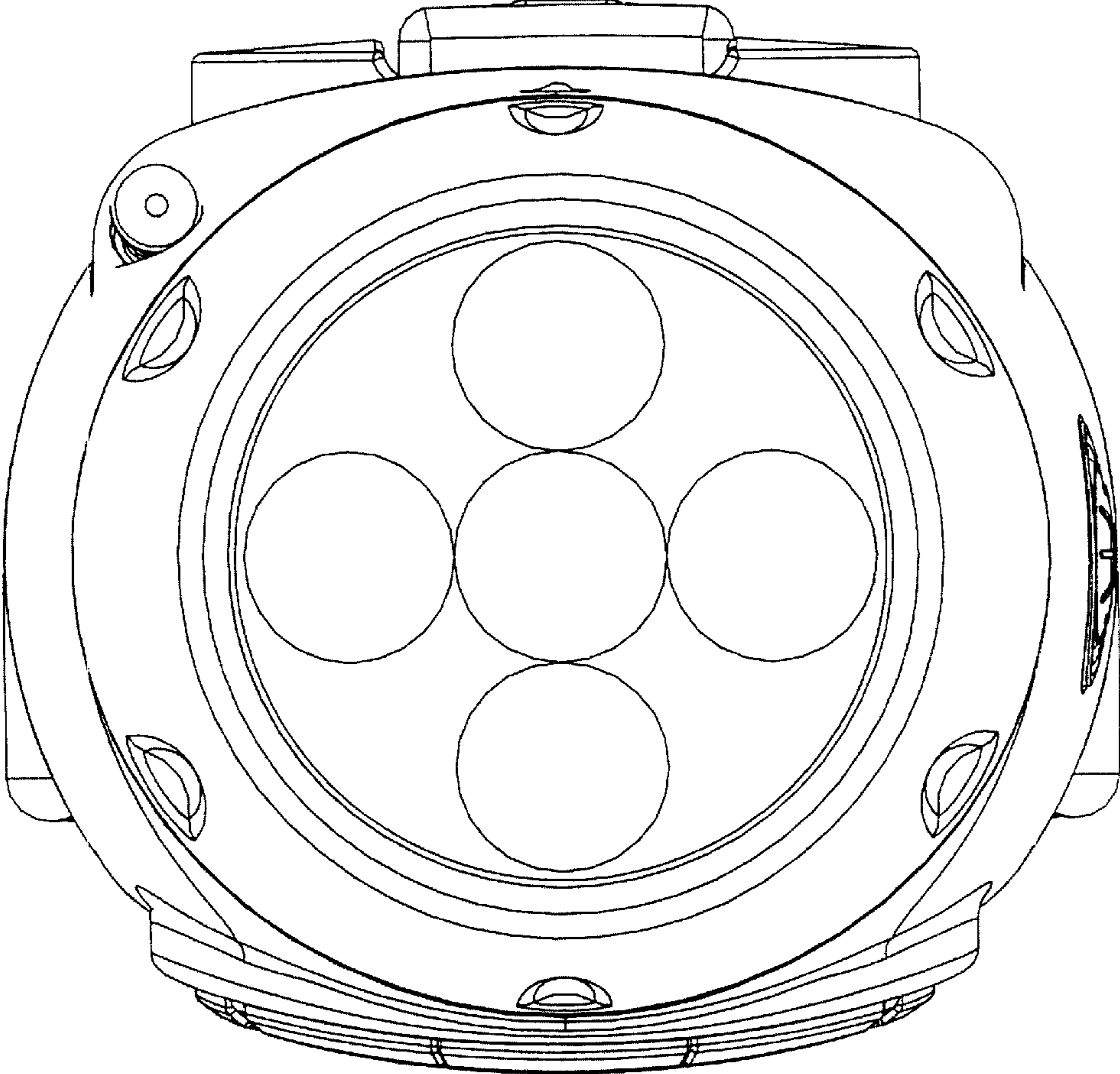


FIG. 3

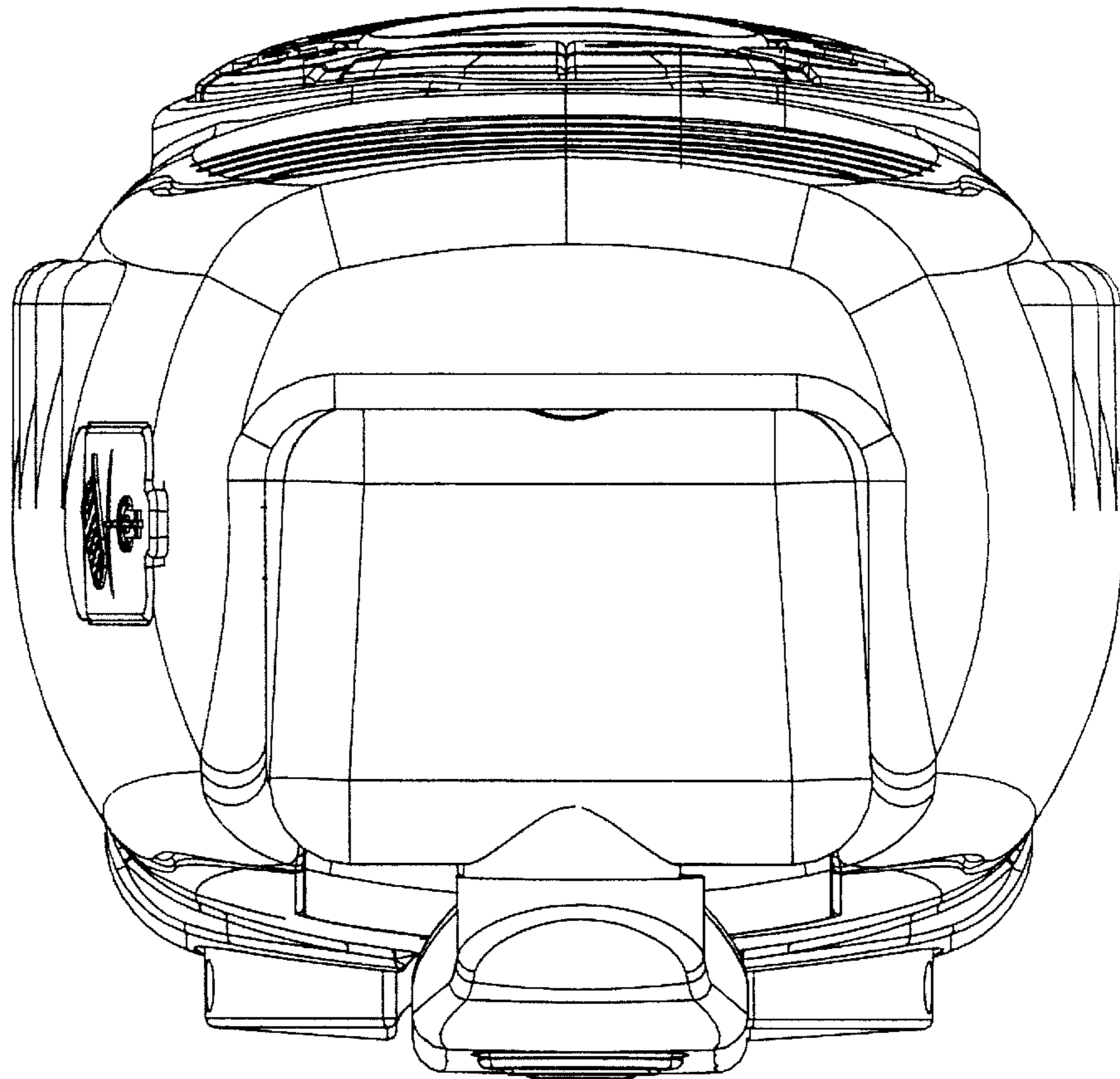


FIG. 4

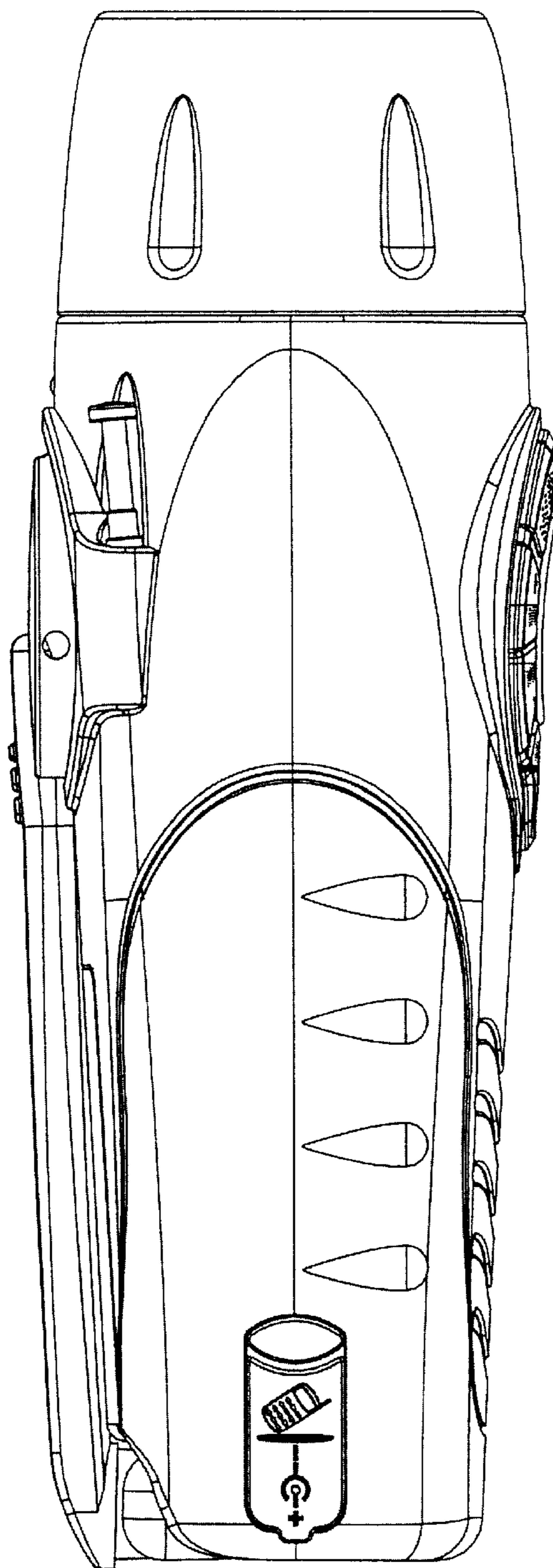


FIG. 5

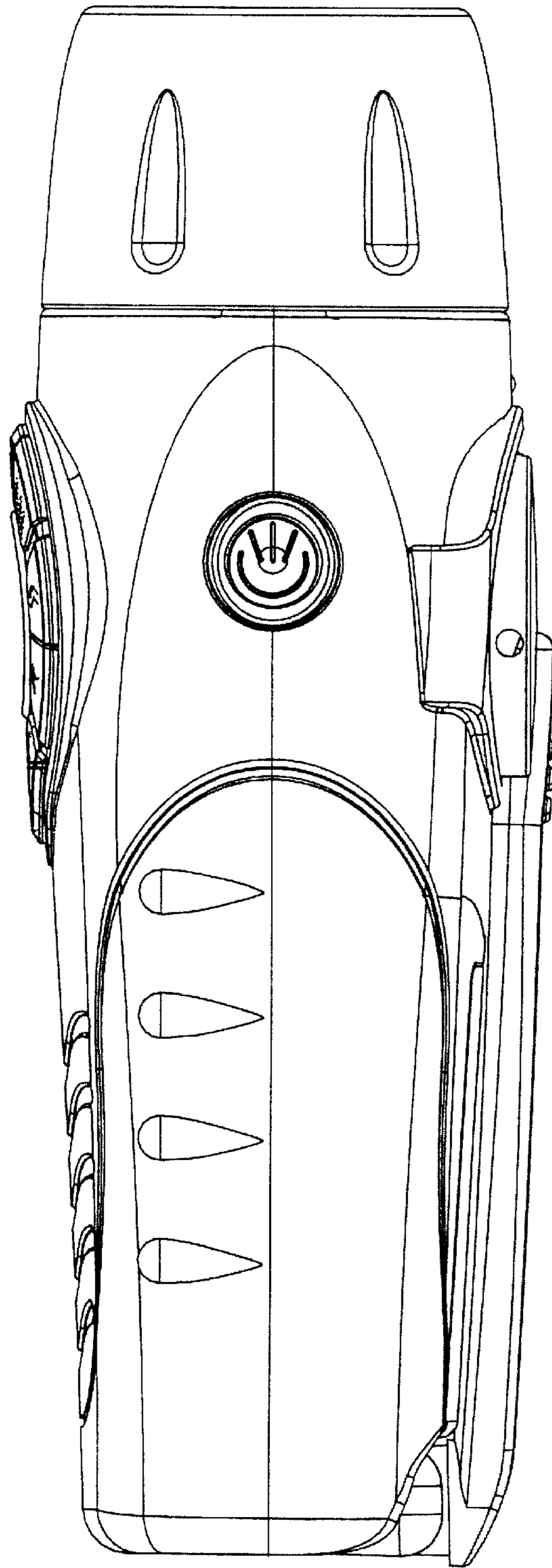


FIG. 6