



US00D543296S

(12) **United States Design Patent**
Tutton et al.

(10) **Patent No.:** **US D543,296 S**

(45) **Date of Patent:** **** May 22, 2007**

(54) **FLOATING POOL LIGHT**

(75) Inventors: **John Charles Tutton**, North Gower (CA); **Jason Florent Busschaert**, Towson, MD (US); **Aldo Balatti**, Greely (CA)

(73) Assignee: **Ultra-Light Floating Objects Inc.**, Kanata, Ontario (CA)

(**) Term: **14 Years**

(21) Appl. No.: **29/215,600**

(22) Filed: **Oct. 22, 2004**

(51) **LOC (8) Cl.** **26-05**

(52) **U.S. Cl.** **D26/24**

(58) **Field of Classification Search** D26/24, D26/37, 36, 39, 61, 93, 67, 104, 110; 362/157, 362/659, 226, 306, 158, 192, 186; D10/114
See application file for complete search history.

(56) **References Cited**

U.S. PATENT DOCUMENTS

D110,954 S	*	8/1938	Barrett	D26/24
3,845,291 A	*	10/1974	Portyrata	362/192
D280,443 S	*	9/1985	Boss	D26/110
D352,915 S	*	11/1994	Wang	D10/114
D401,370 S	*	11/1998	Fiorato	D26/67

D422,726 S	*	4/2000	Ford et al.	D26/37
D454,406 S	*	3/2002	Chang	D26/67
D454,967 S	*	3/2002	Brown et al.	D26/37
D468,050 S	*	12/2002	Poon	D26/104
D469,207 S	*	1/2003	Chang	D26/104
6,502,953 B2	*	1/2003	Hajianpour	362/186

* cited by examiner

Primary Examiner—Alan P. Douglas

Assistant Examiner—Angela J. Lee

(74) *Attorney, Agent, or Firm*—David J. French

(57) **CLAIM**

We claim the ornamental design for a floating pool light, as shown and described.

DESCRIPTION

This article is intended to illuminate a body of water such as a swimming pool.

FIG. 1 is a perspective top quarter view of the pool light of the design.

FIG. 2 is a perspective bottom quarter view of the light of FIG. 1.

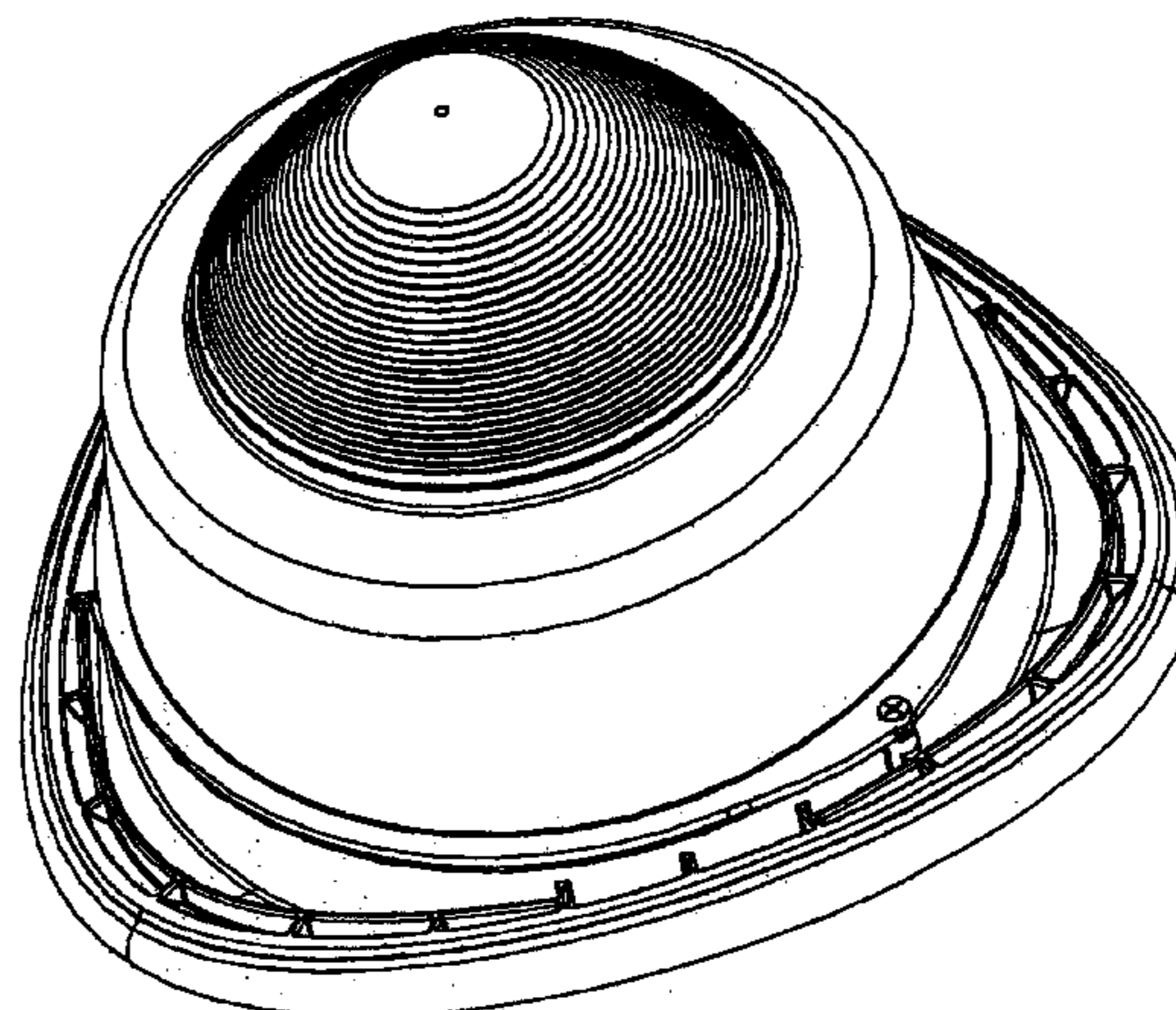
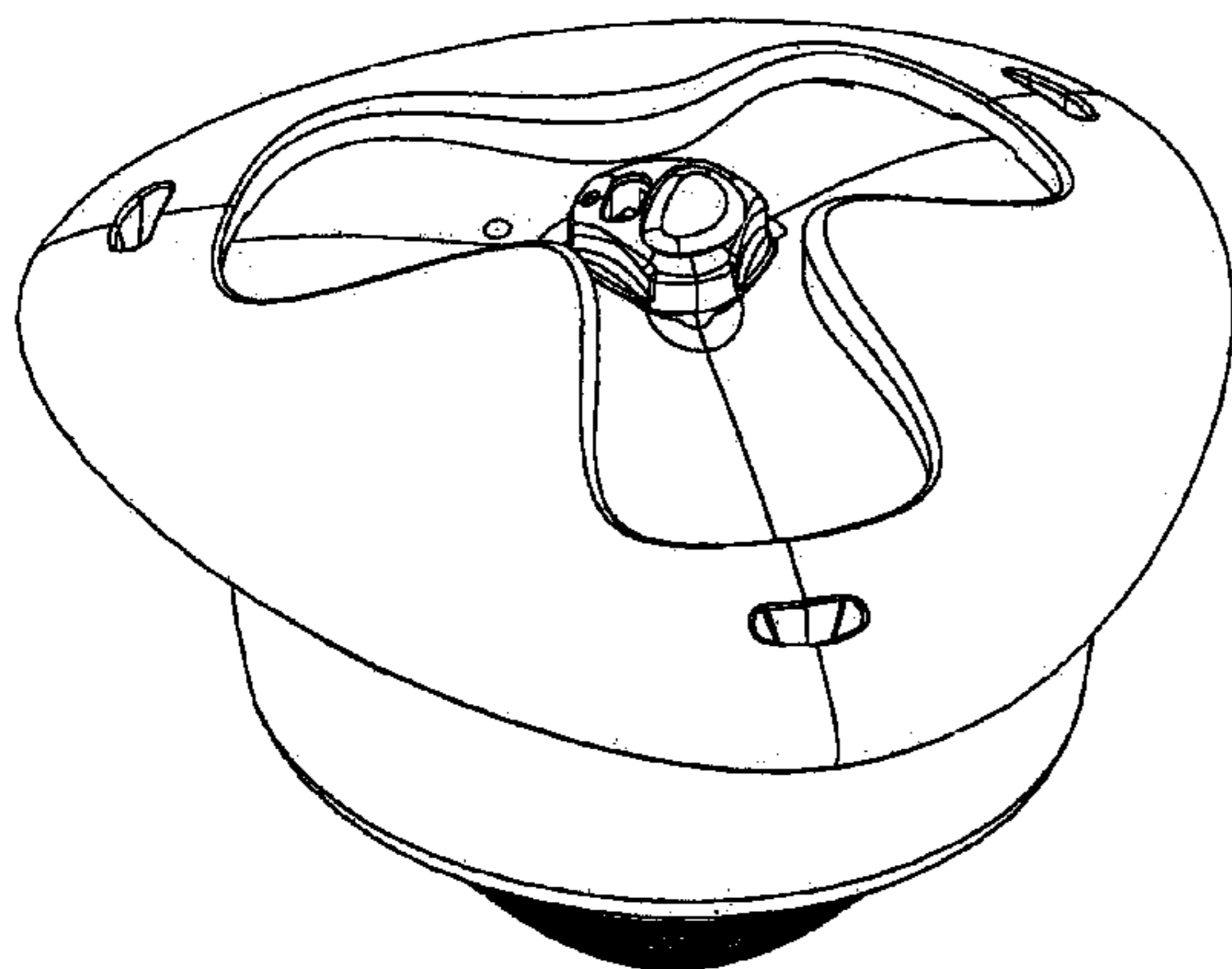
FIG. 3 is a front face view of the light of FIG. 1.

FIG. 4 is a bottom view of the light of FIG. 1.

FIG. 5 is a top view of the light of FIG. 1; and,

FIG. 6 is a side view of the light of FIG. 1.

1 Claim, 3 Drawing Sheets



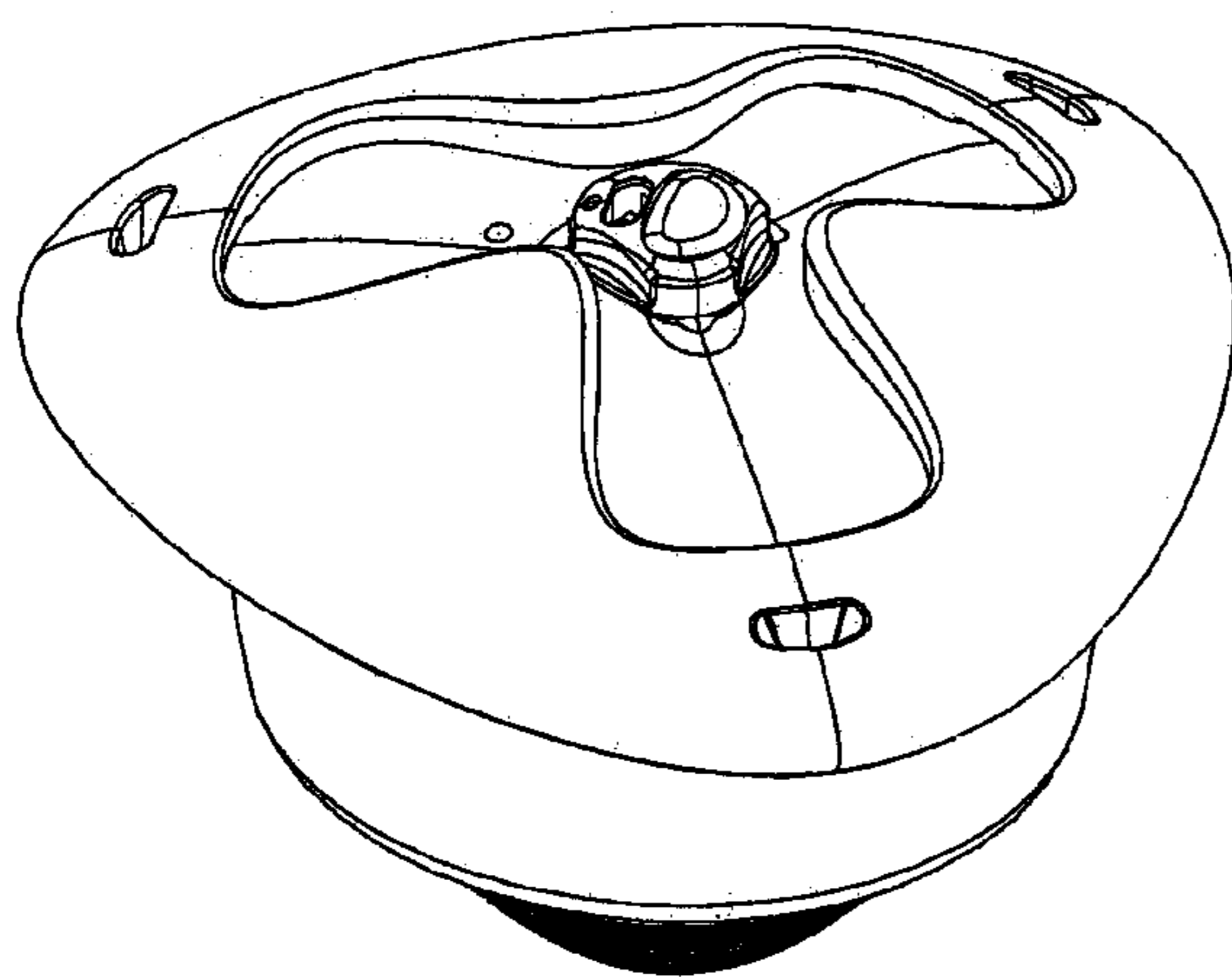


FIGURE 1

FIGURE 2

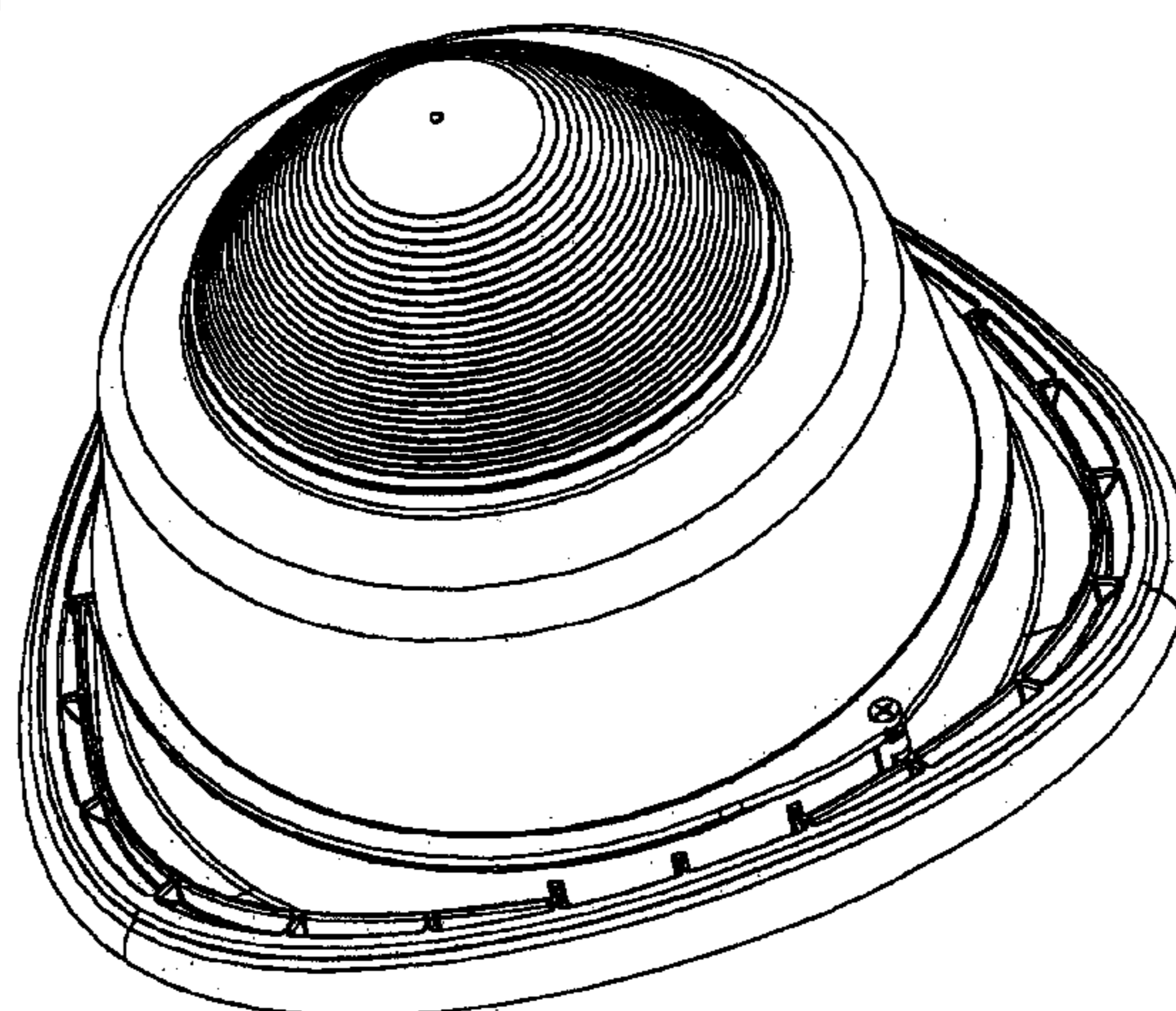


FIGURE 3

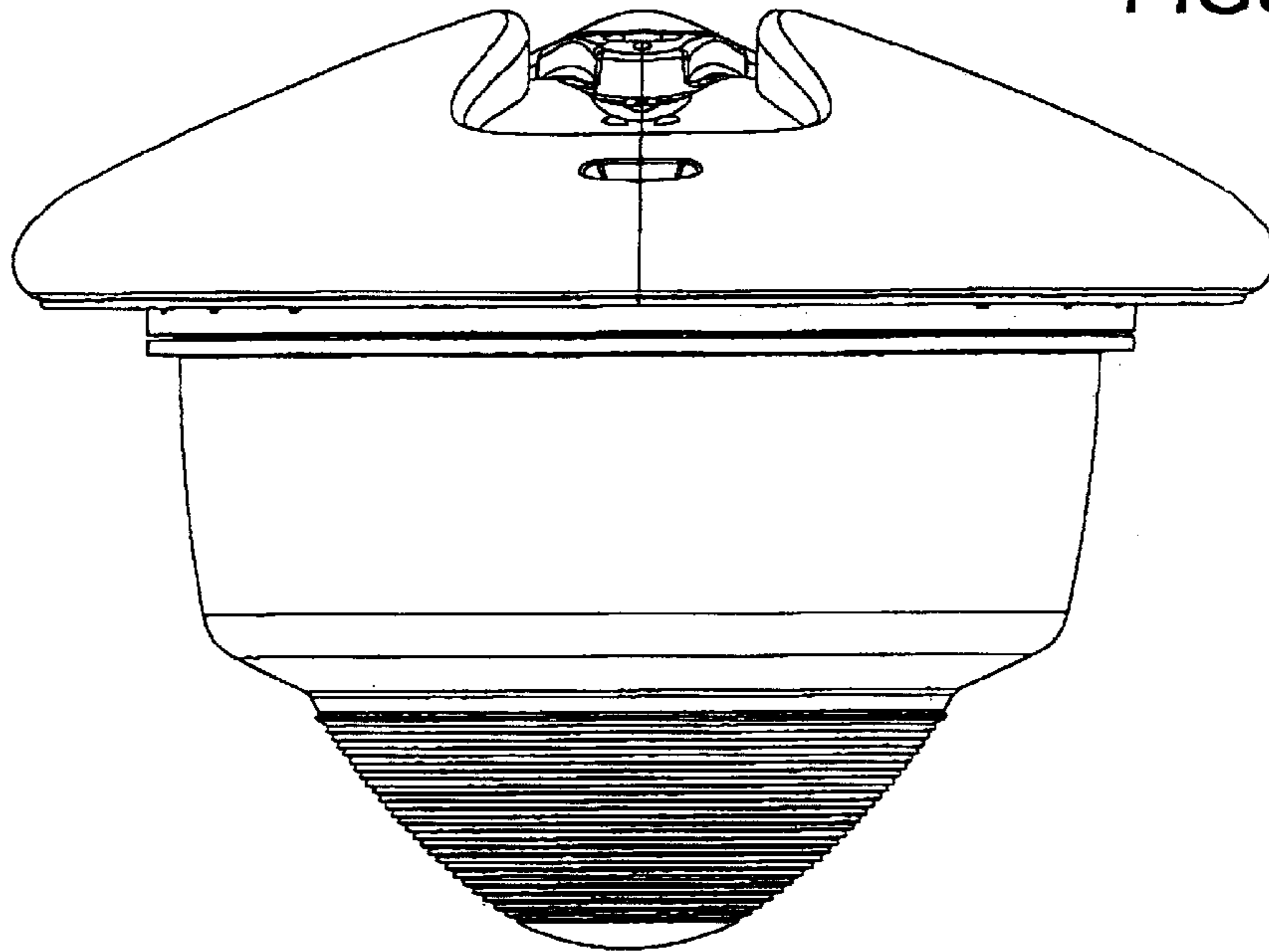
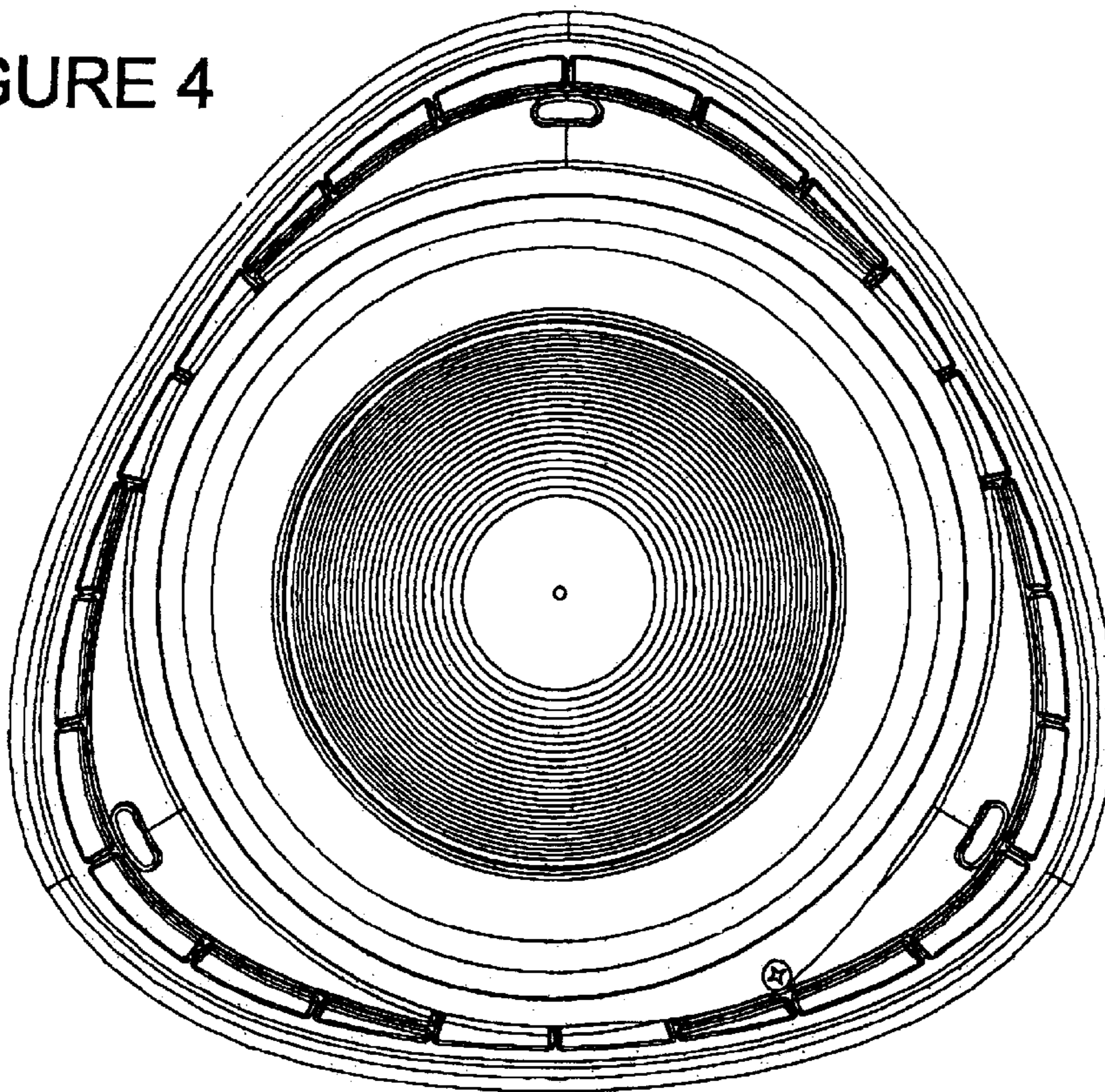


FIGURE 4



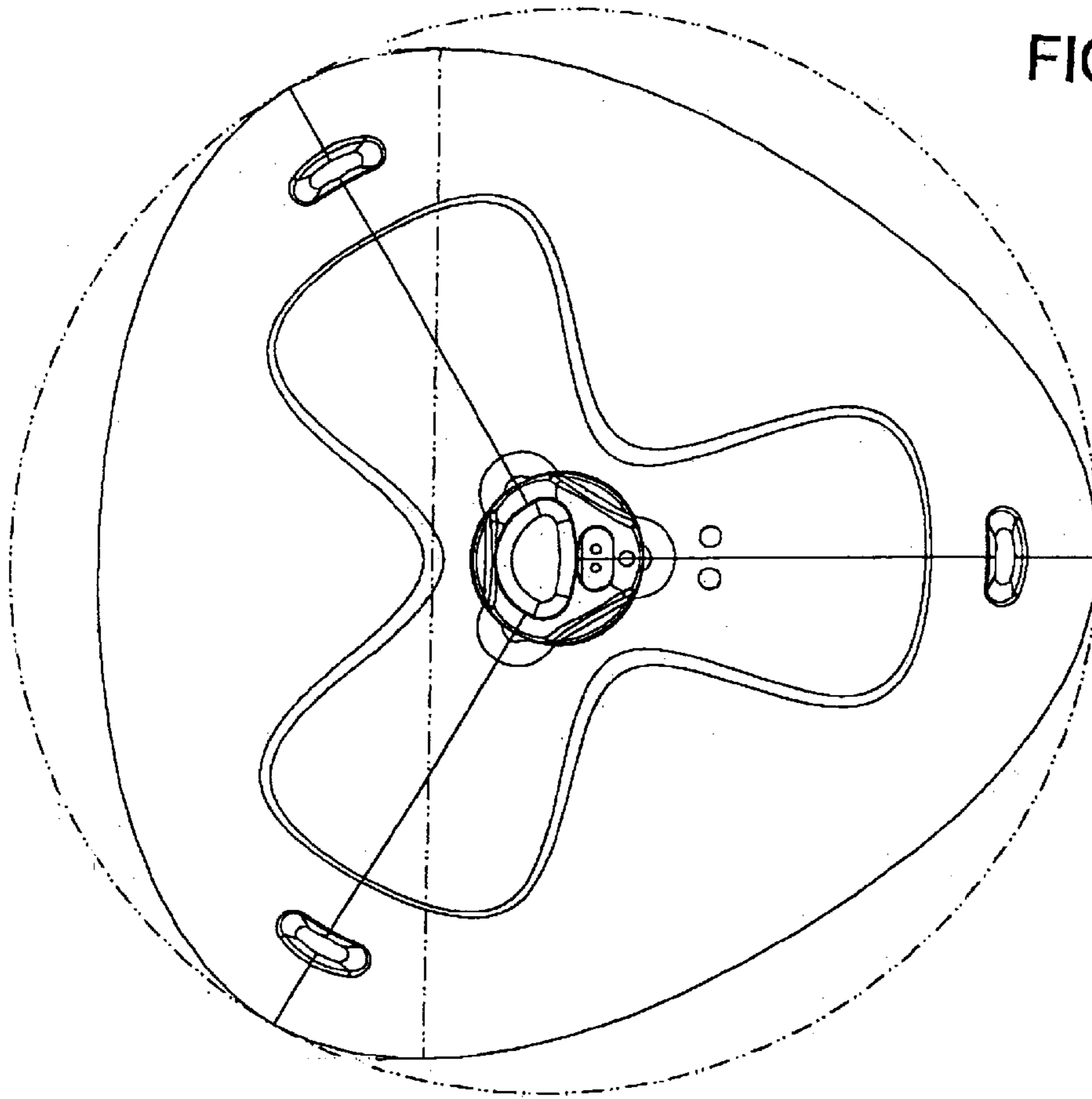


FIGURE 5

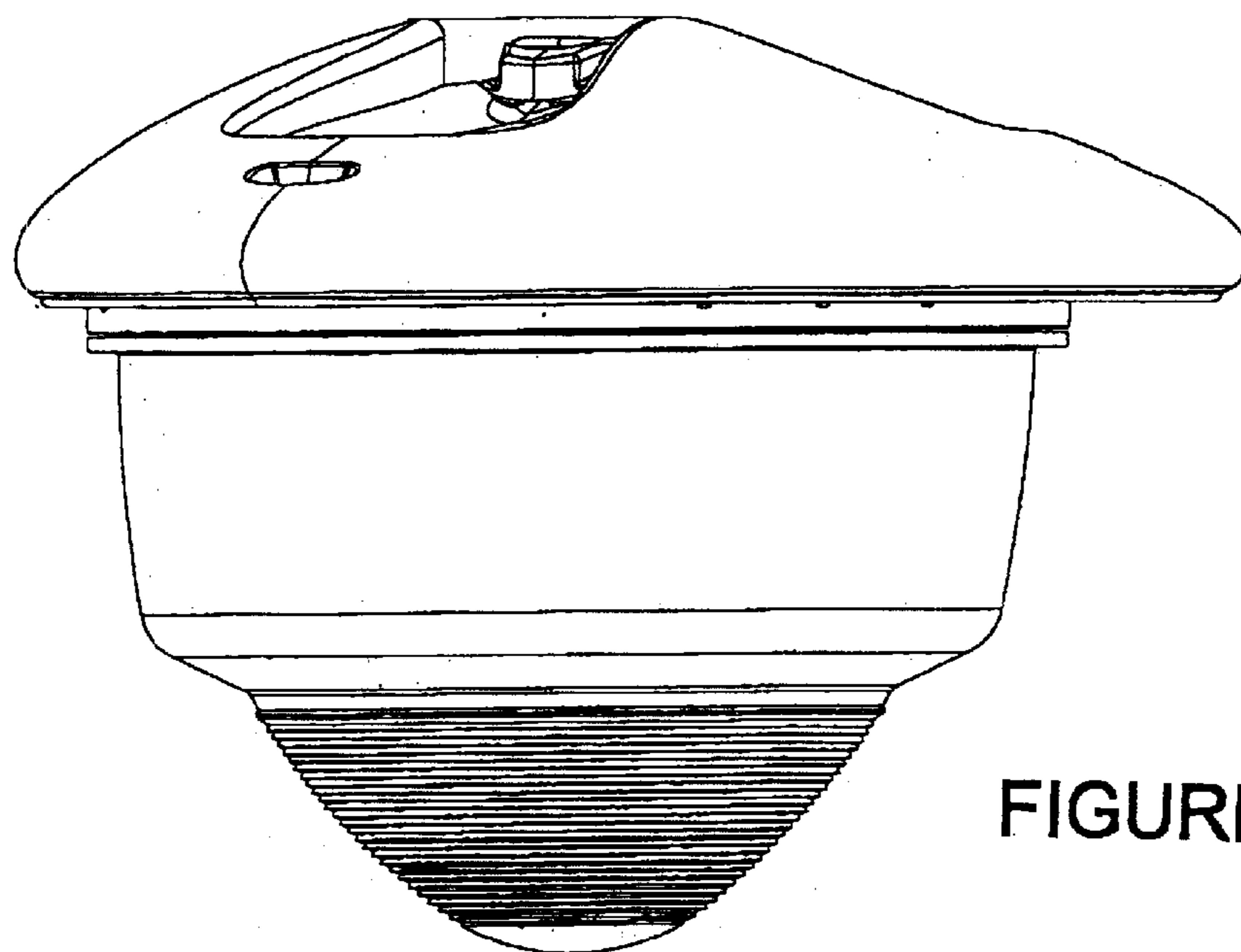


FIGURE 6