

US00D543293S

(12) **United States Design Patent**
McCullough

(10) **Patent No.:** **US D543,293 S**

(45) **Date of Patent:** **** May 22, 2007**

(54) **CANDLE**

3,759,675 A * 9/1973 Lazarus 431/6
D397,459 S * 8/1998 Hsu D26/6

(76) Inventor: **Lana McCullough**, 58 Swindon Way,
Winnipeg, Manitoba (CA), R3P 1A7

* cited by examiner

(**) Term: **14 Years**

Primary Examiner—Louis S. Zarfes

Assistant Examiner—Gregory Andoll

(21) Appl. No.: **29/240,695**

(74) *Attorney, Agent, or Firm*—Ryan W. Dupuis; Adrian D. Battison; Michael R. Williams

(22) Filed: **Oct. 18, 2005**

(57) **CLAIM**

(51) **LOC (8) Cl.** **26-01**

The ornamental design for a candle, as shown and described.

(52) **U.S. Cl.** **D26/16; D26/7**

(58) **Field of Classification Search** D26/6–23;

D9/635, 435, 541, 447, 454; D7/572, 575,

D7/536, 584; D11/160, 96; 431/288–297,

431/125, 126; 362/806–810

See application file for complete search history.

DESCRIPTION

FIG. 1 is a perspective view of the candle;

FIG. 2 is a top plan view of the candle;

FIG. 3 is a bottom plan view of the candle;

FIG. 4 is a side elevational view of the candle; and,

FIG. 5 is a sectional view of the candle along the line 5—5 of FIG. 4.

The broken line showing of the wick is for illustrative purposes only and forms no part of the claimed design.

(56) **References Cited**

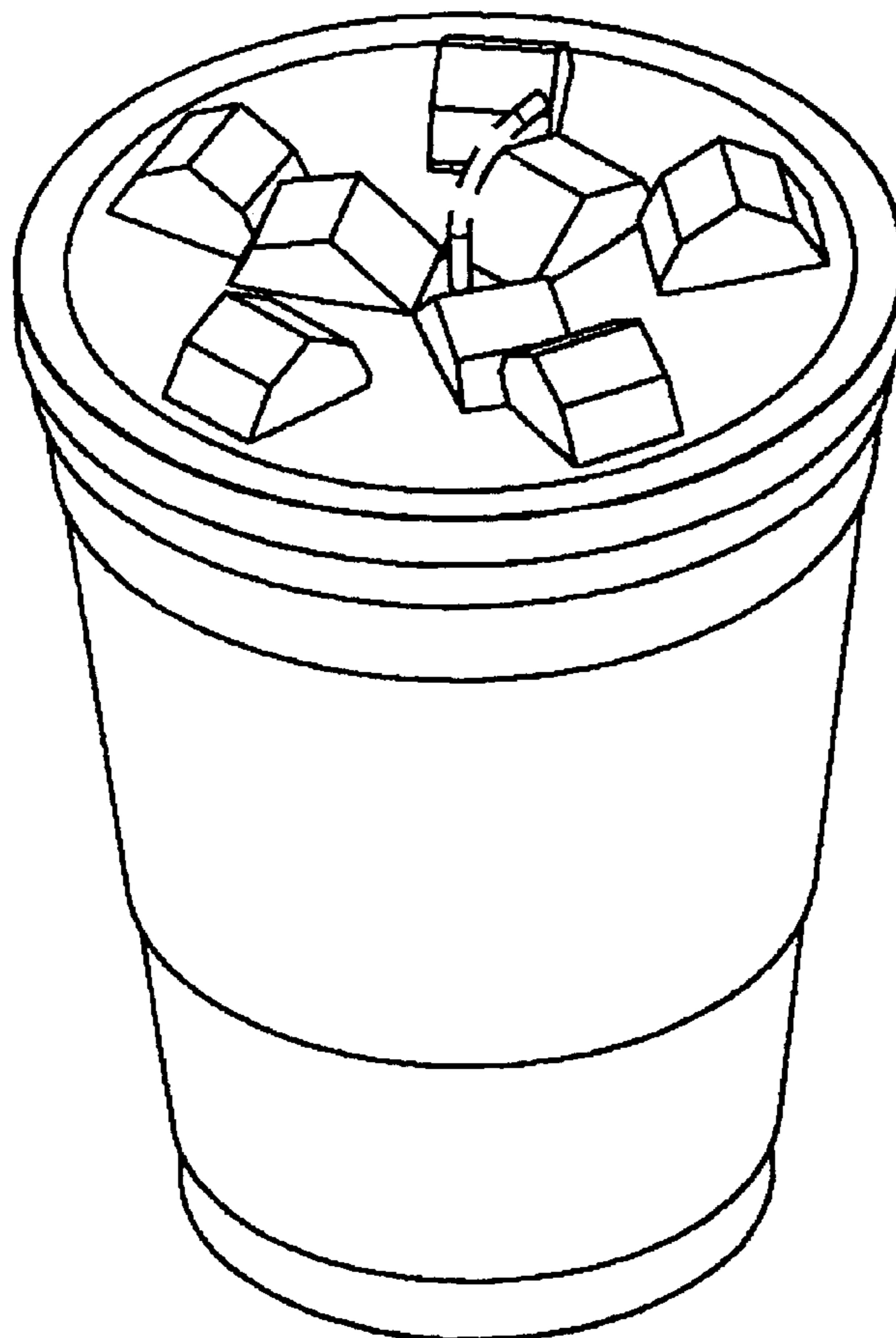
U.S. PATENT DOCUMENTS

1,278,386 A * 9/1918 Riley 431/291

2,025,096 A * 12/1935 Deckert 431/291

D178,831 S * 9/1956 Garcia D26/7

1 Claim, 3 Drawing Sheets



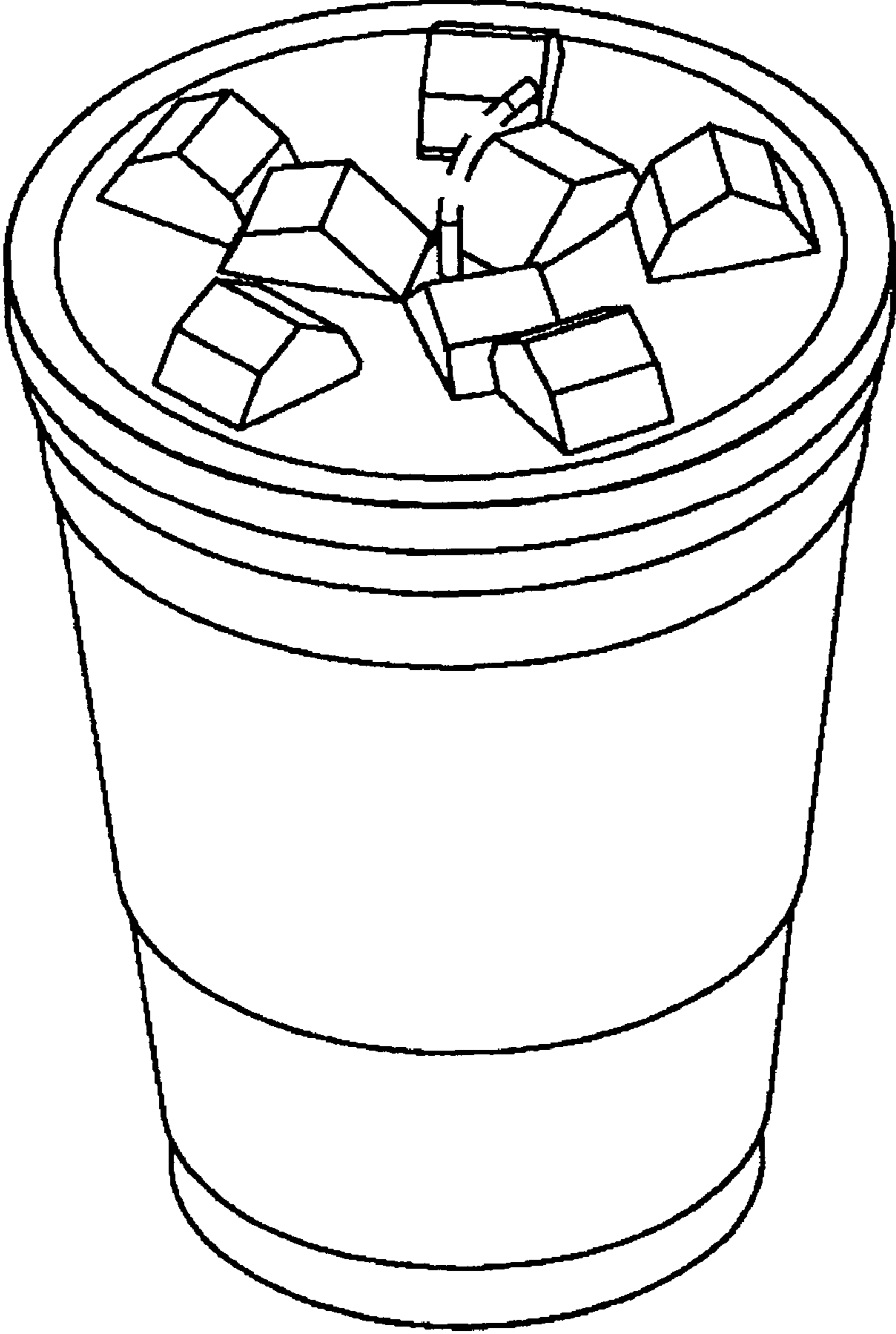


FIG. 1

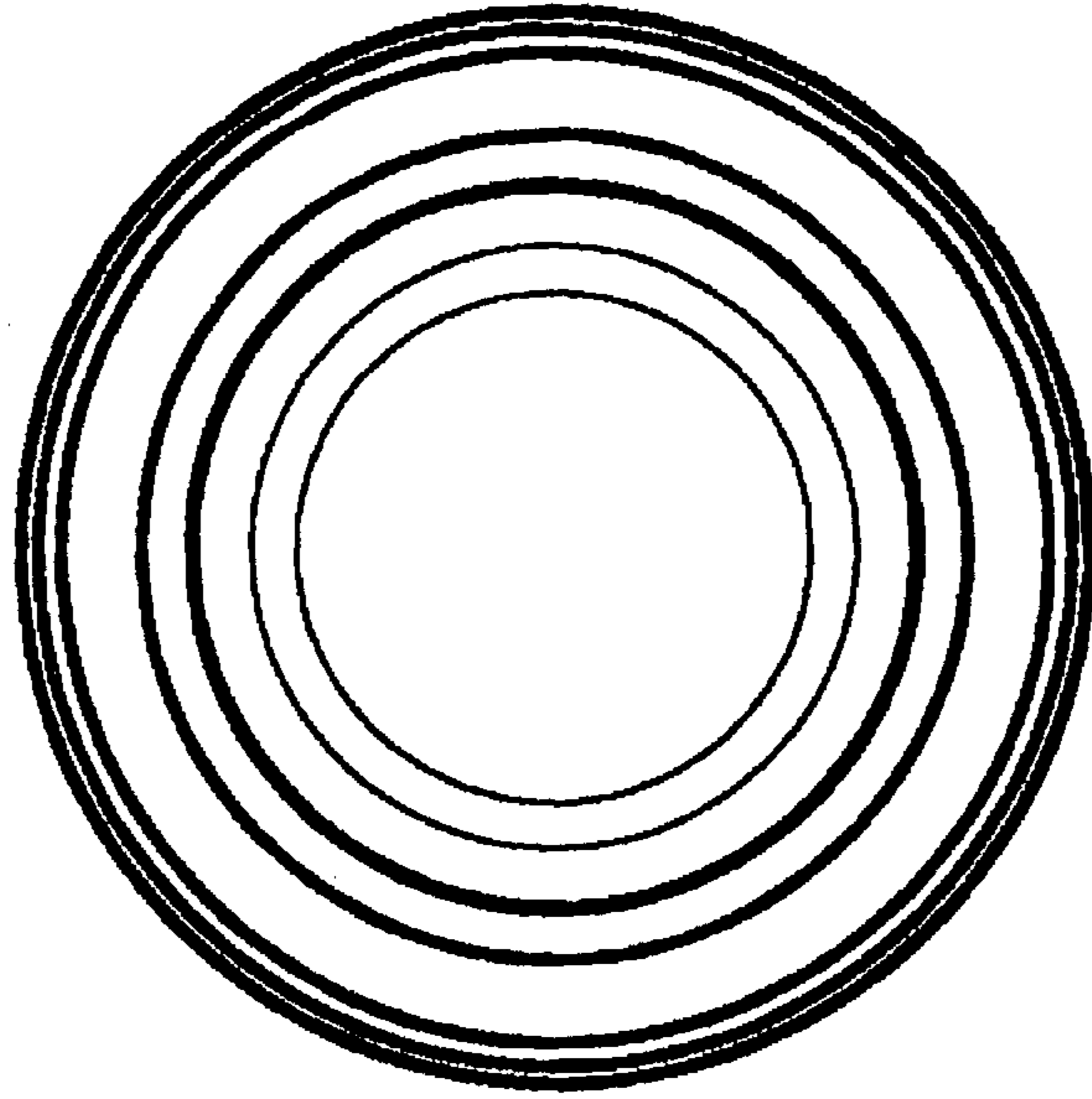


FIG. 3

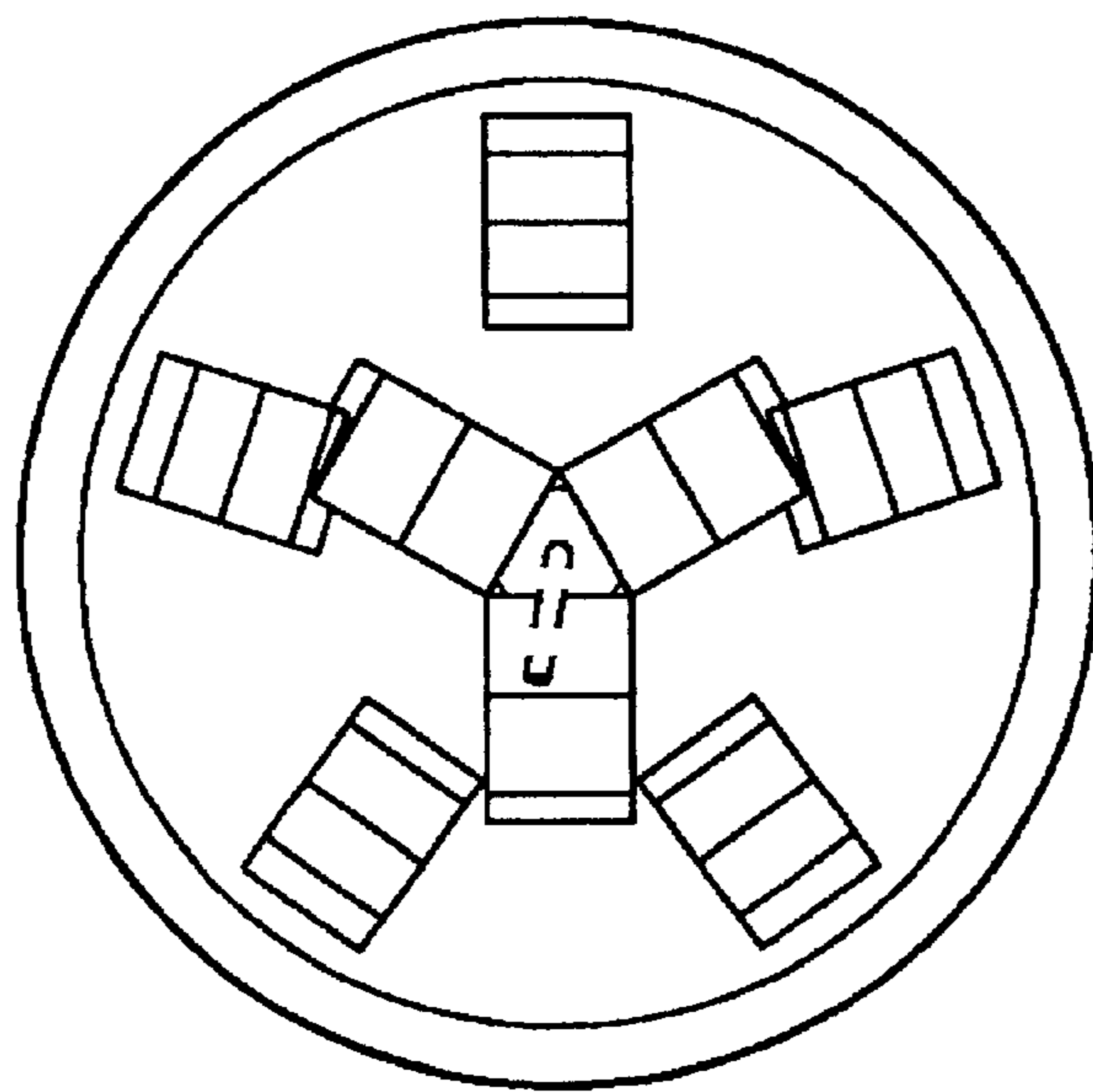


FIG. 2

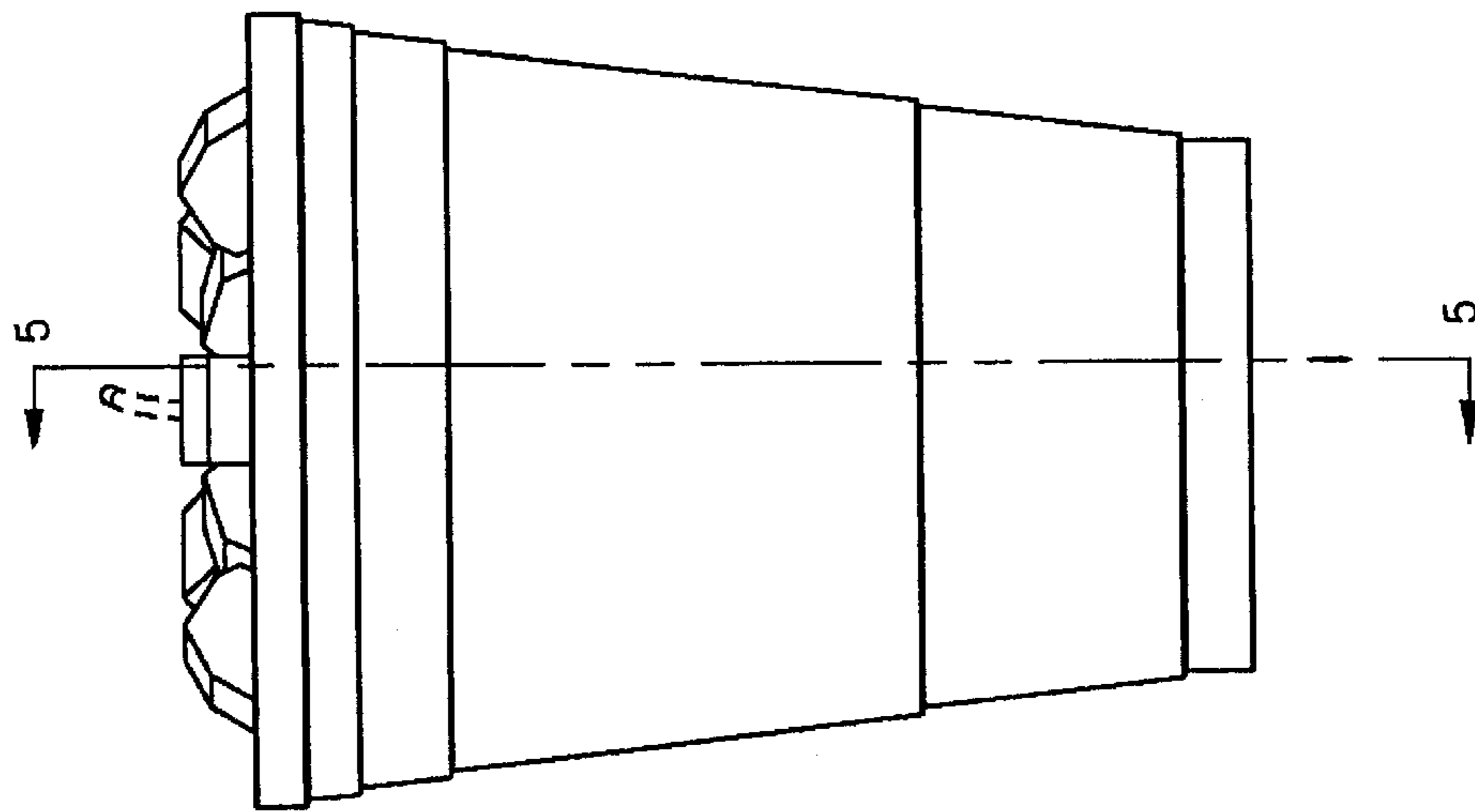


FIG. 4

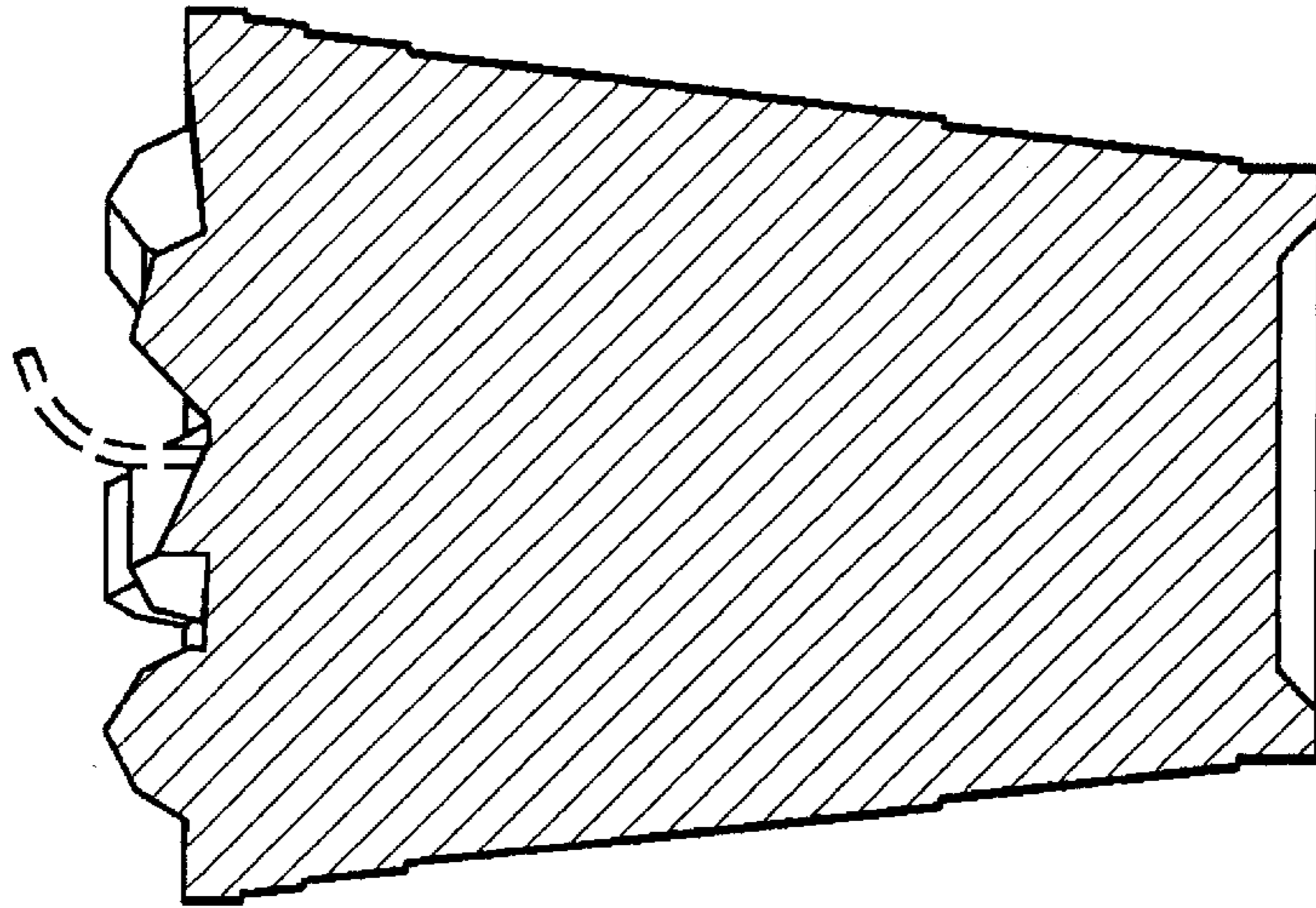


FIG. 5