

US00D543291S

(12) **United States Design Patent**
Leung et al.

(10) **Patent No.:** **US D543,291 S**

(45) **Date of Patent:** **** May 22, 2007**

(54) **LAMP**

(76) Inventors: **Benson Chung-Pun Leung**, Unit 901,
53-57 Kwai Fung Crescent, Kwai
Chung, New Territories (HK); **Ambrose
Shing-Yin Leung**, Unit 901, 53-57
Kwai Fung Crescent, Kwai Chung, New
Territories (HK)

(**) **Term:** **14 Years**

(21) **Appl. No.:** **29/260,920**

(22) **Filed:** **Jun. 2, 2006**

(51) **LOC (8) Cl.** **26-04**

(52) **U.S. Cl.** **D26/3**

(58) **Field of Classification Search** D26/1-4;
313/313, 315, 317, 318, 493; 315/52, 53,
315/56, 57, 58

See application file for complete search history.

(56) **References Cited**

U.S. PATENT DOCUMENTS

D498,311 S * 11/2004 Leung et al. D26/3

D498,547 S * 11/2004 Leung et al. D26/3

D512,523 S * 12/2005 Leung et al. D26/3

D521,451 S * 5/2006 Wiskerke D13/134

D532,533 S * 11/2006 Leung D26/3

* cited by examiner

Primary Examiner—Marcus A. Jackson

(57) **CLAIM**

We claim the ornamental design for a lamp, as shown and described.

DESCRIPTION

FIG. 1 is an elevated perspective view of the light bulb base of the claimed invention

FIG. 2 is a front view of the light bulb base shown in FIG. 1;

FIG. 3 is a side view of the light bulb base shown in FIG. 1, each other side view being identical thereto;

FIG. 4 is a top view of the light bulb base shown in FIG. 1; and,

FIG. 5 is a bottom view of the light bulb base shown in FIG. 1.

Features shown in broken lines in the drawings are not part of the claim.

1 Claim, 2 Drawing Sheets

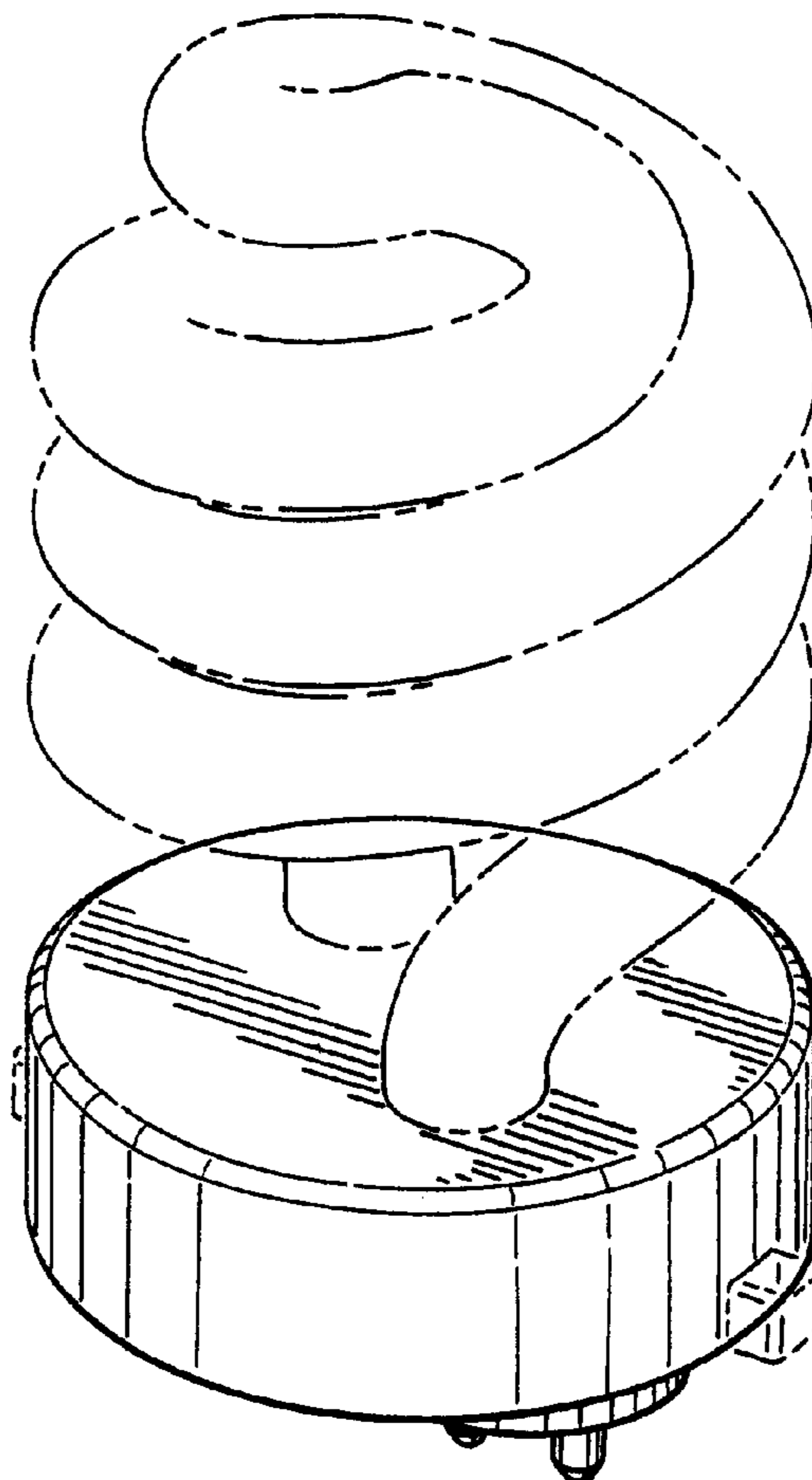


FIG. 1

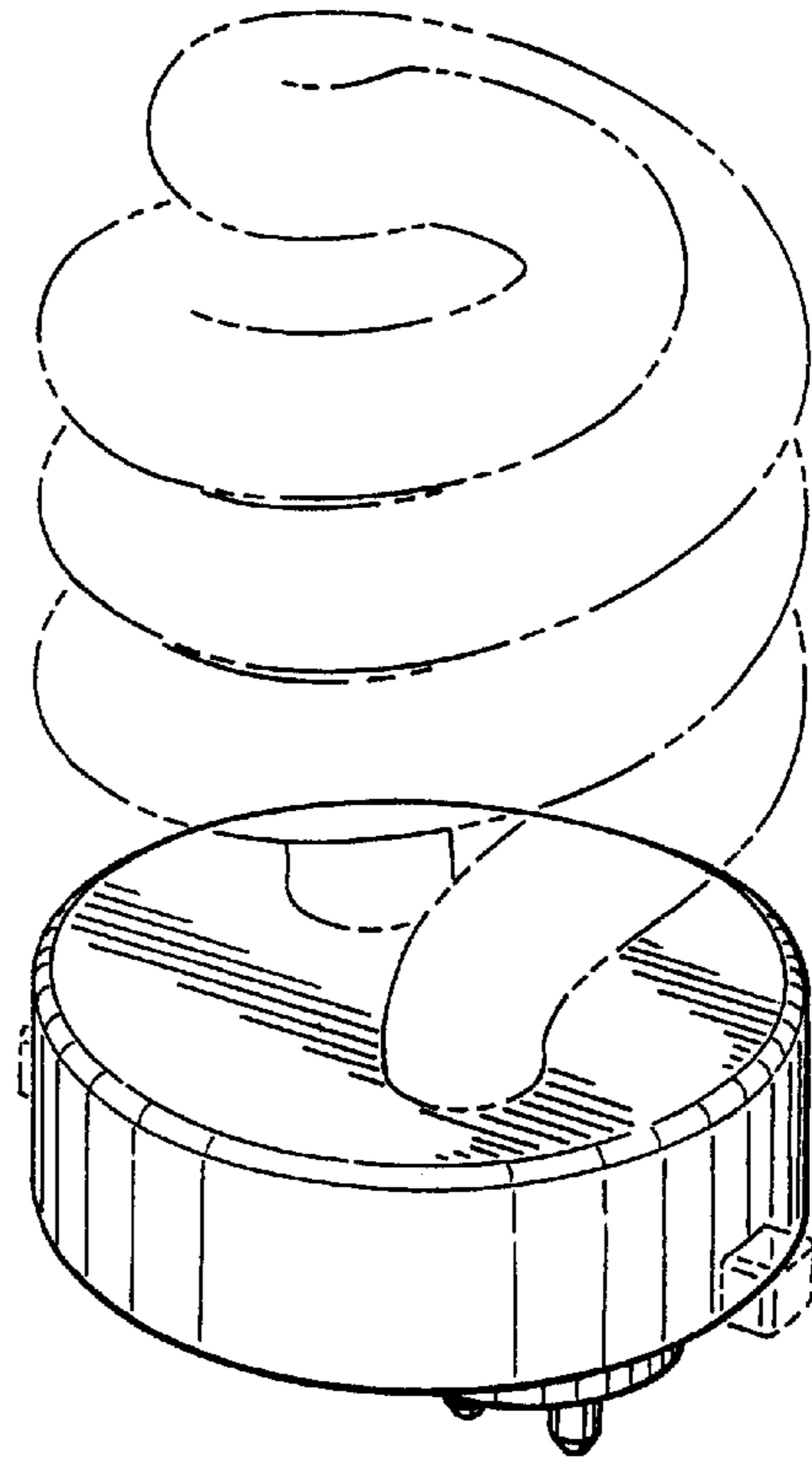


FIG. 2

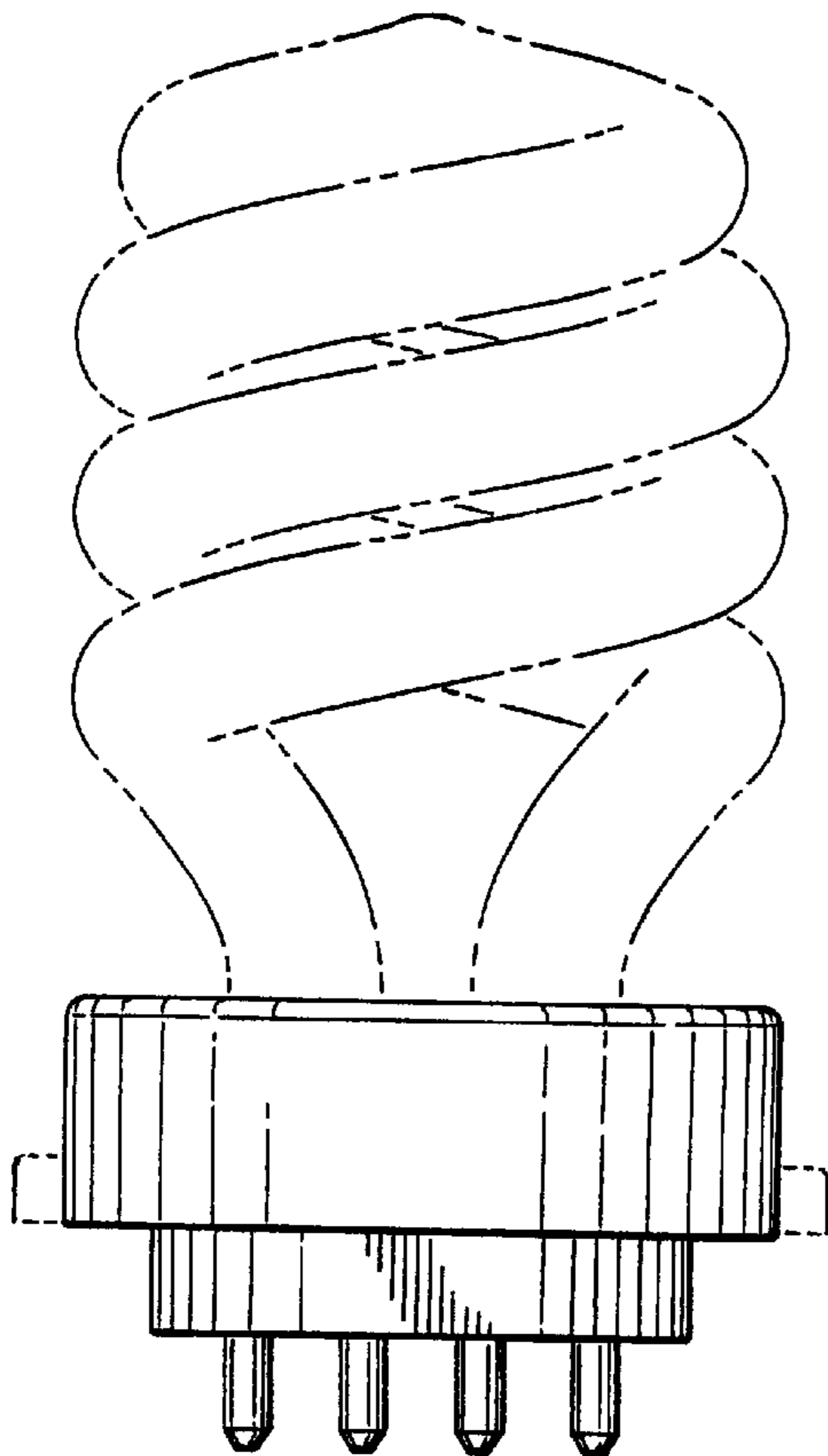


FIG. 3

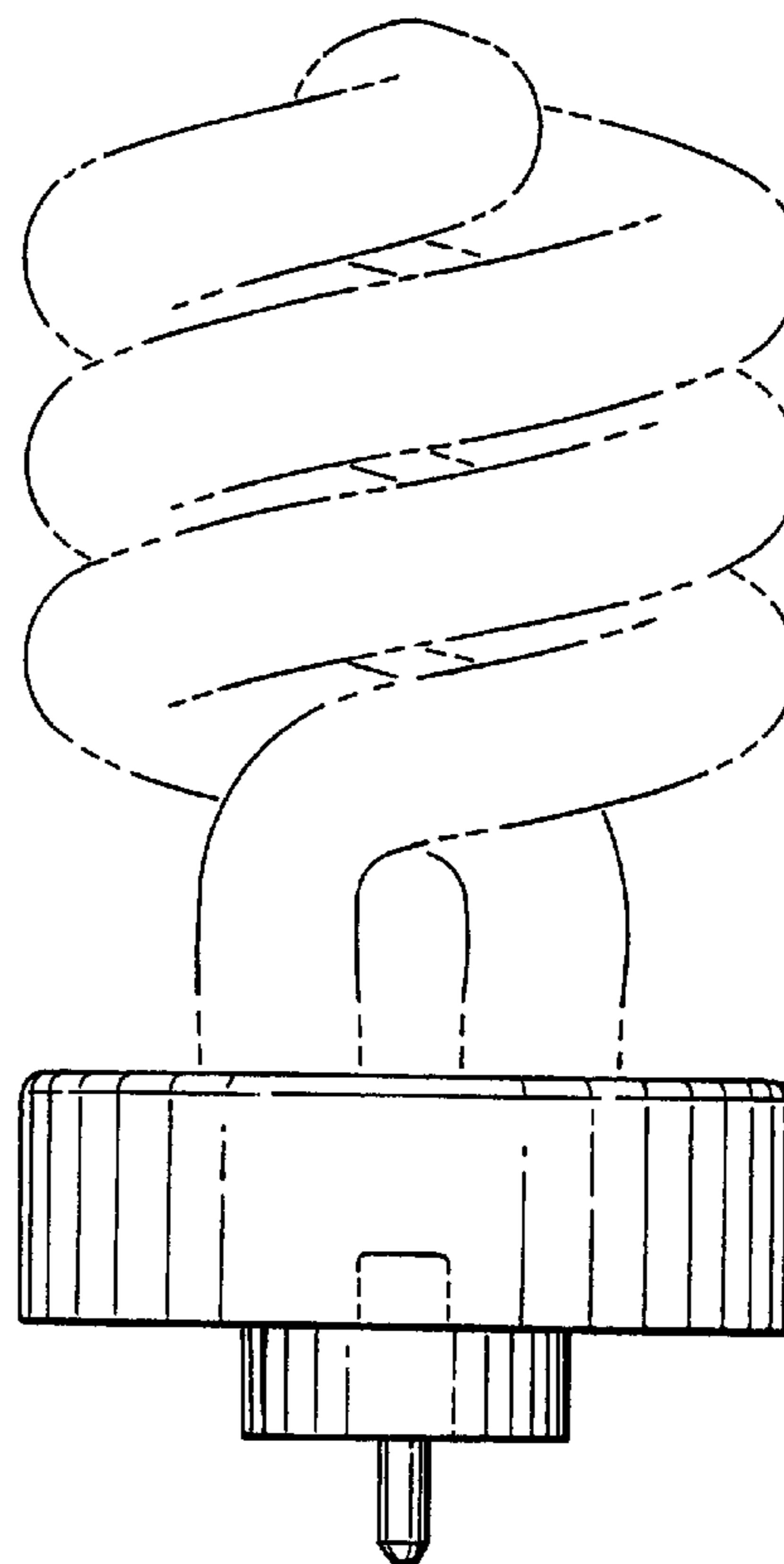


FIG. 4

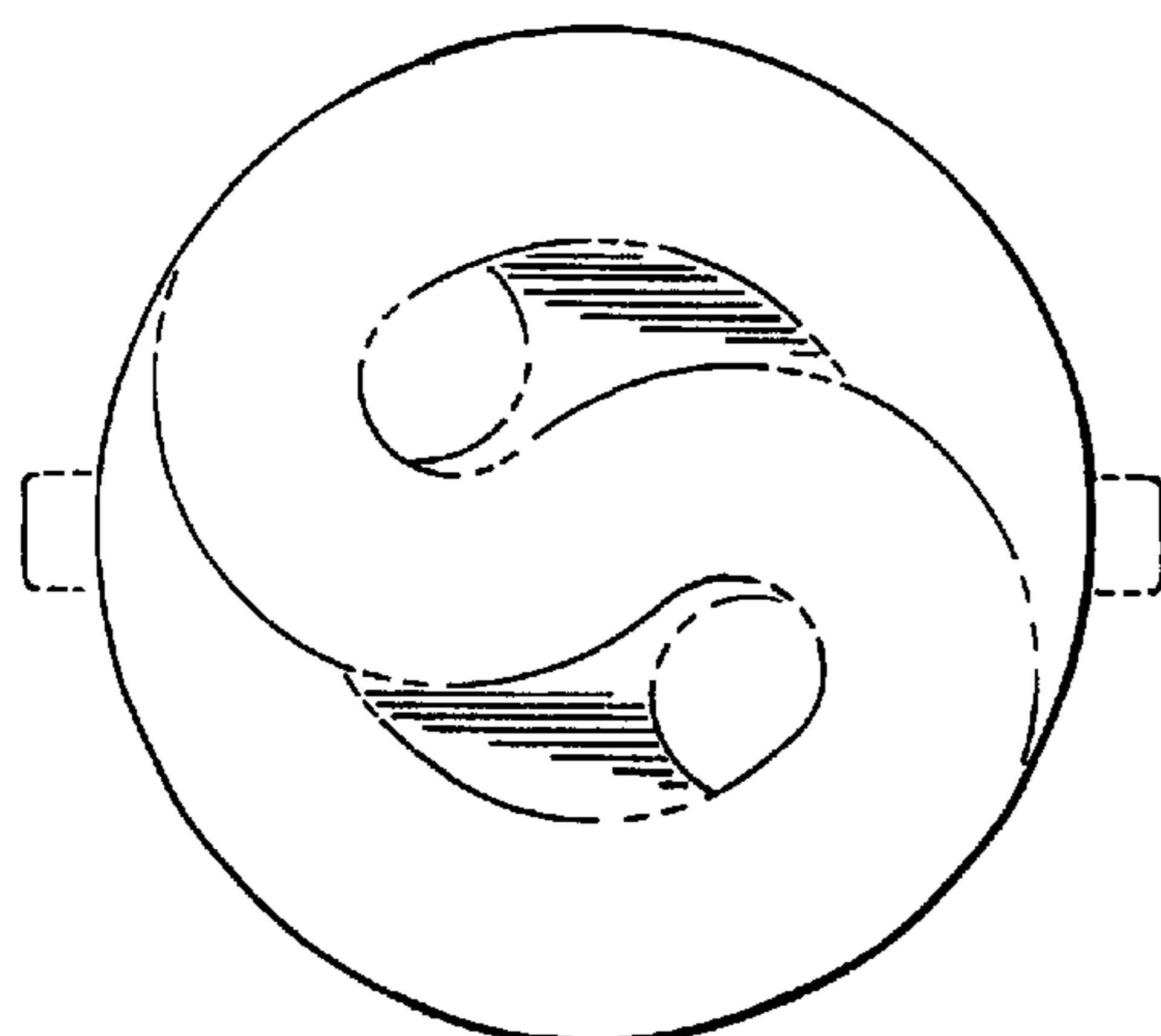


FIG. 5

