



US00D543286S

(12) **United States Design Patent**
Keeley et al.

(10) **Patent No.:** **US D543,286 S**

(45) **Date of Patent:** **** May 22, 2007**

(54) **PAVER RESTRAINT**

(75) Inventors: **David Keeley**, Marietta, OH (US);
Stephen B. Schumaker, Marietta, OH (US)

(73) Assignee: **Dimex, LLC**, Marietta, OH (US)

(**) Term: **14 Years**

(21) Appl. No.: **29/239,917**

(22) Filed: **Oct. 6, 2005**

(51) **LOC (8) Cl.** **25-01**

(52) **U.S. Cl.** **D25/119**

(58) **Field of Classification Search** D25/119,
D25/164; 52/102, 98, 598, 600, 601; 404/7
See application file for complete search history.

D378,857 S	4/1997	Hale	
5,640,801 A	6/1997	Rynerk	
D393,164 S	4/1998	Russell et al.	
D400,985 S	11/1998	Risi	
5,930,947 A	8/1999	Eckhoff	
6,030,144 A	2/2000	Cannella	
6,038,811 A	3/2000	Conway	
D424,714 S	5/2000	Hale	
6,085,458 A	7/2000	Gau	
6,099,201 A	8/2000	Abbrancati	
6,324,783 B1	12/2001	McIntyre et al.	
D453,578 S	2/2002	Olson	
6,379,078 B1	4/2002	Zwier	
D467,015 S	* 12/2002	O'Brien D25/164
6,568,126 B2	5/2003	Womack	
2002/0139045 A1	10/2002	Womack	
2003/0188478 A1	10/2003	Womack	

* cited by examiner

Primary Examiner—Doris Clark

(74) *Attorney, Agent, or Firm*—Wood, Herron & Evans, LLP

(56) **References Cited**

U.S. PATENT DOCUMENTS

268,441 A	12/1882	Tunica	
2,163,613 A	6/1939	Manofsky	
D130,420 S	11/1941	Schlatter	
3,314,193 A	4/1967	Chancellor	
4,744,194 A	* 5/1988	Yasuyoshi 52/747.11
4,824,068 A	4/1989	Ferland	
D329,709 S	9/1992	Strobl, Jr.	
5,212,917 A	5/1993	Kurtz et al.	
5,240,343 A	8/1993	Strobl, Jr.	
D339,199 S	9/1993	Rynberk	
5,375,941 A	12/1994	Strobl, Jr.	
5,379,546 A	1/1995	Popp	
5,421,118 A	6/1995	Bauer	
D363,788 S	10/1995	Caley	
D368,969 S	* 4/1996	Davies D25/119
D372,547 S	8/1996	Sjodin	
D373,205 S	8/1996	Caley	

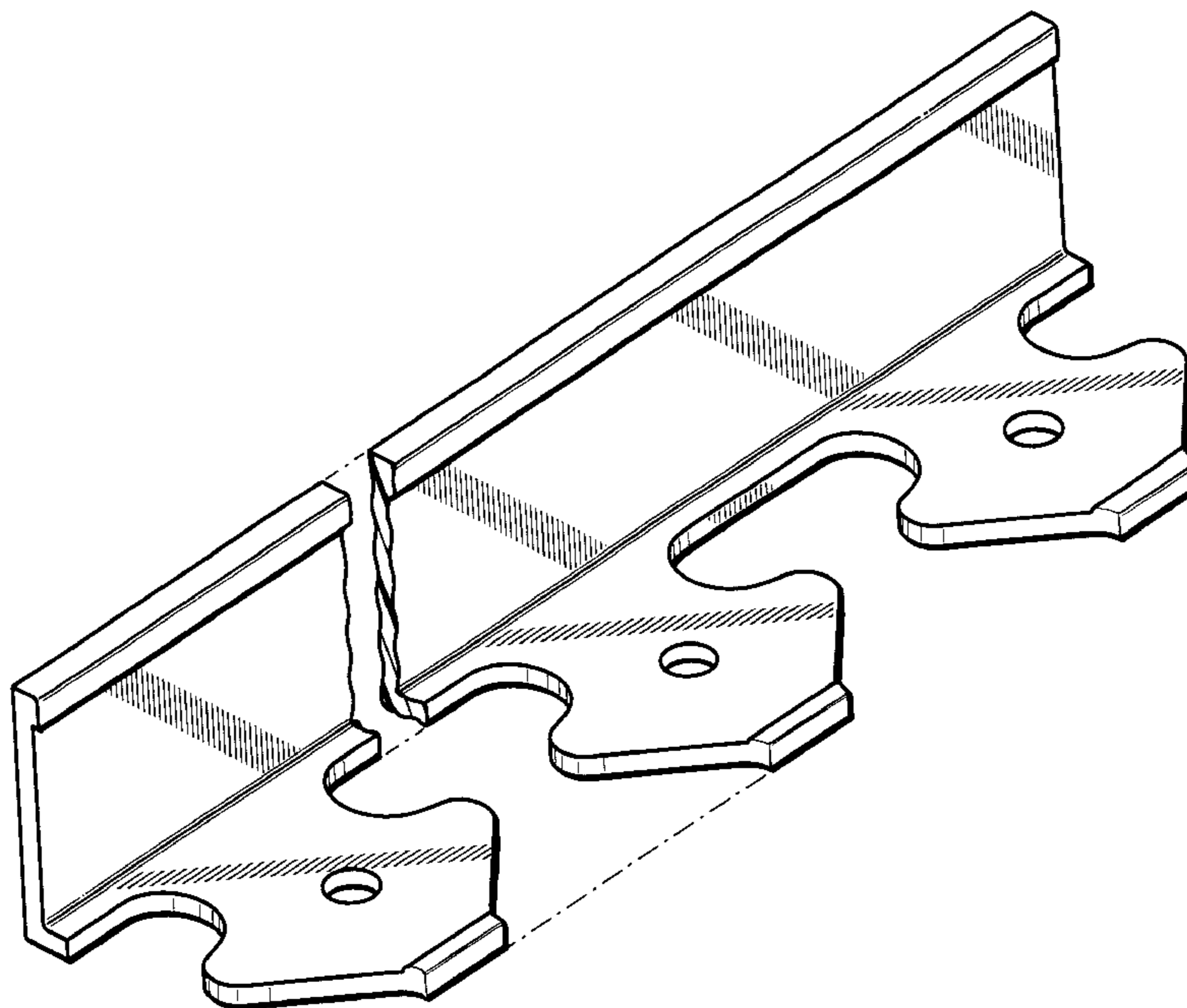
(57) **CLAIM**

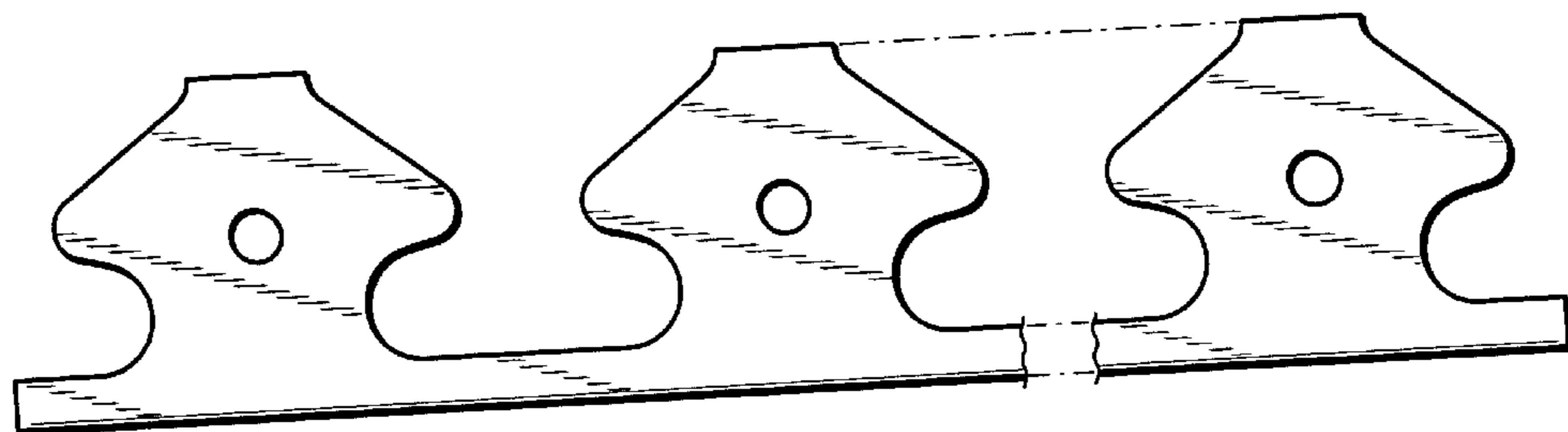
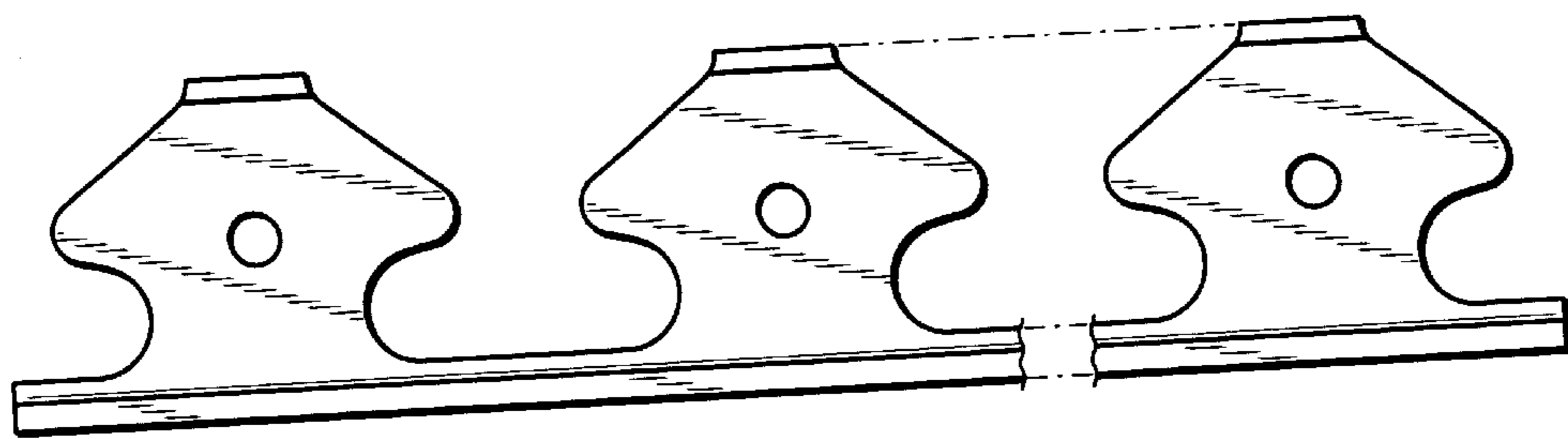
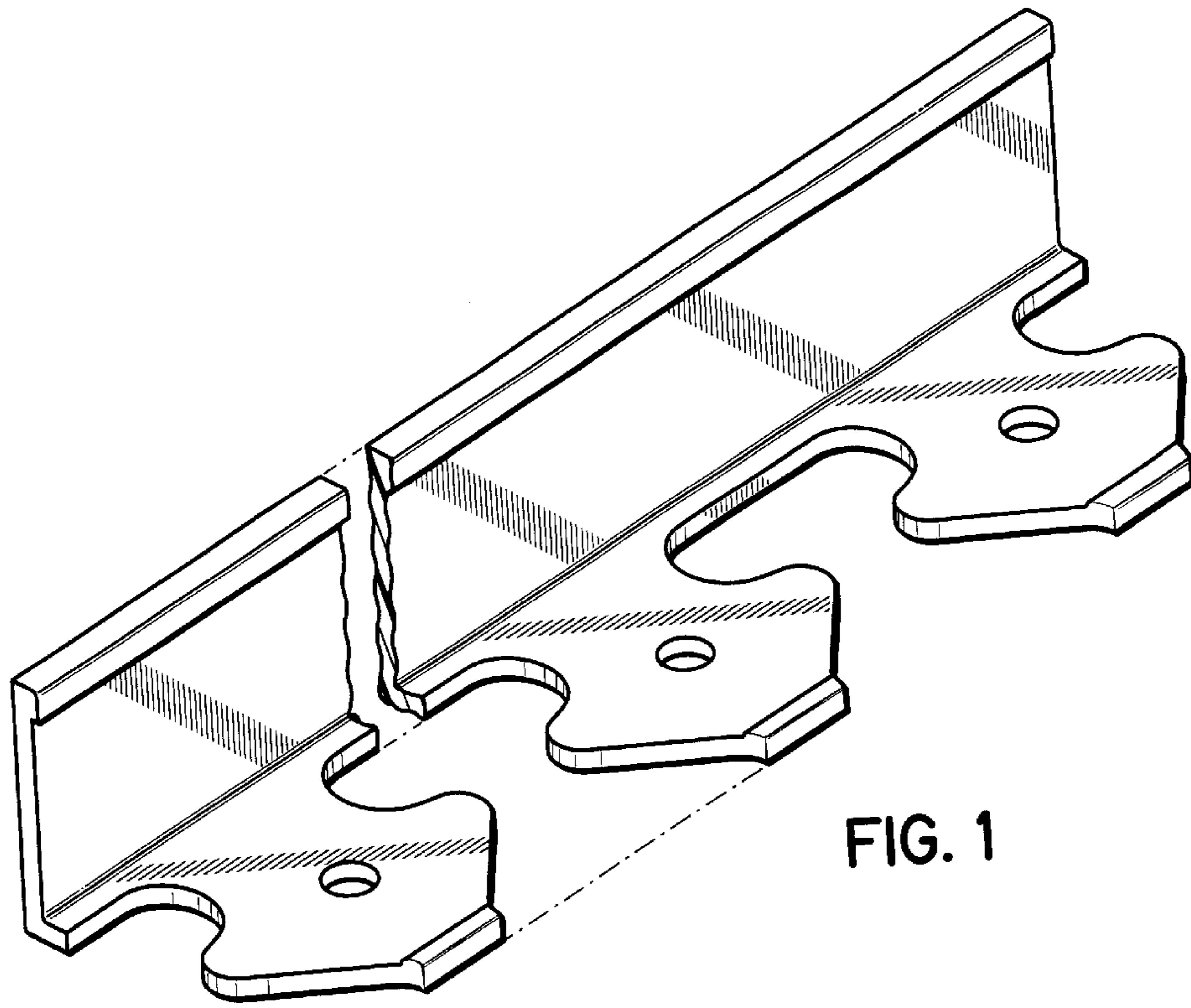
The ornamental design for a paver restraint, as shown and described.

DESCRIPTION

FIG. 1 is a perspective view of a paver restraint showing our new design and broken in the center thereof to show indeterminate length;
FIG. 2 is a top plan view thereof;
FIG. 3 is a bottom plan view thereof;
FIG. 4 is a side elevational view thereof;
FIG. 5 is a front elevational view thereof;
FIG. 6 is a rear elevational view thereof; and,
FIG. 7 is a top plan view shown in a "U" configuration.

1 Claim, 2 Drawing Sheets





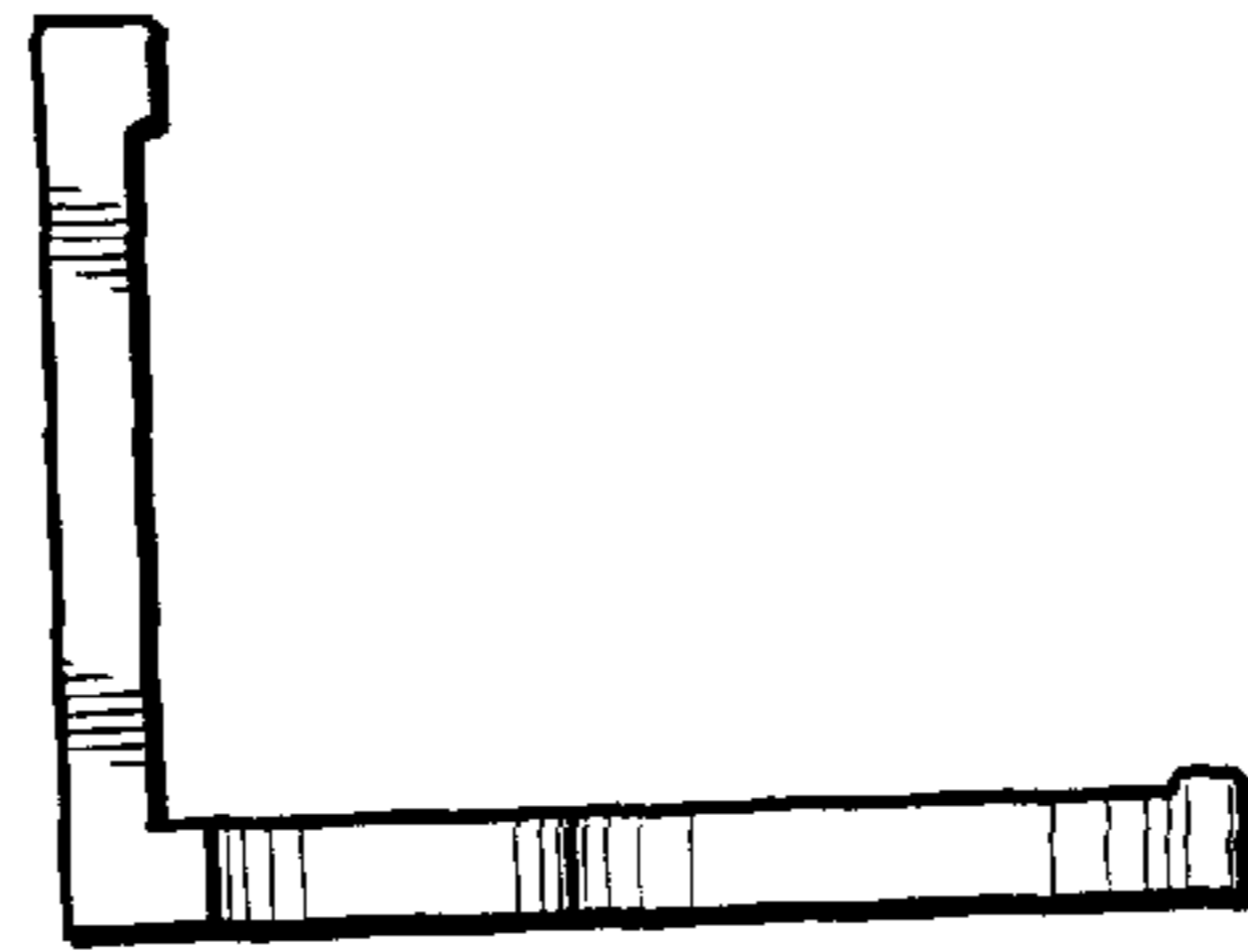


FIG. 4

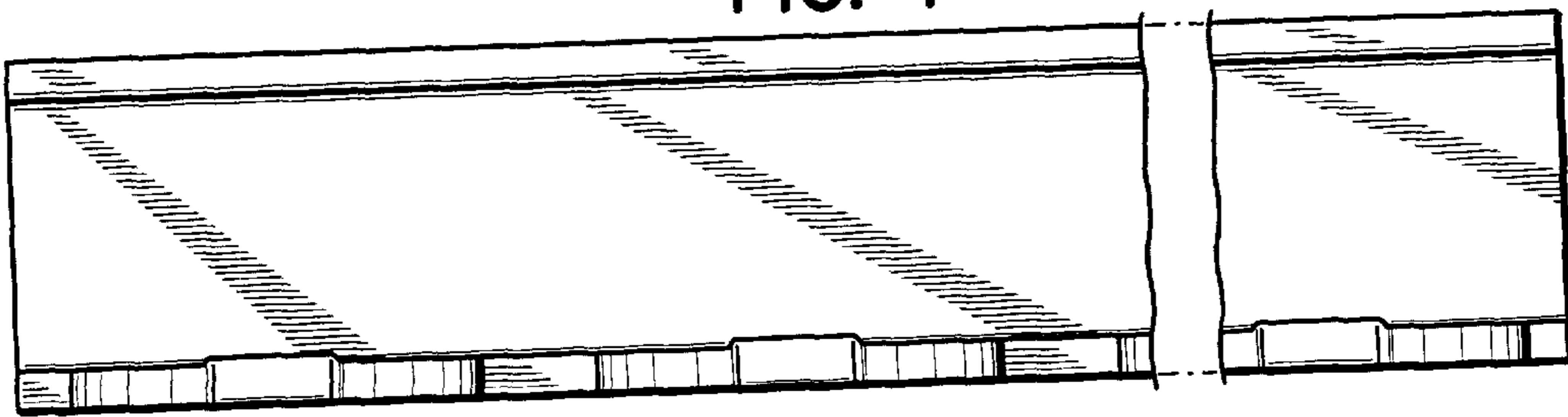


FIG. 5

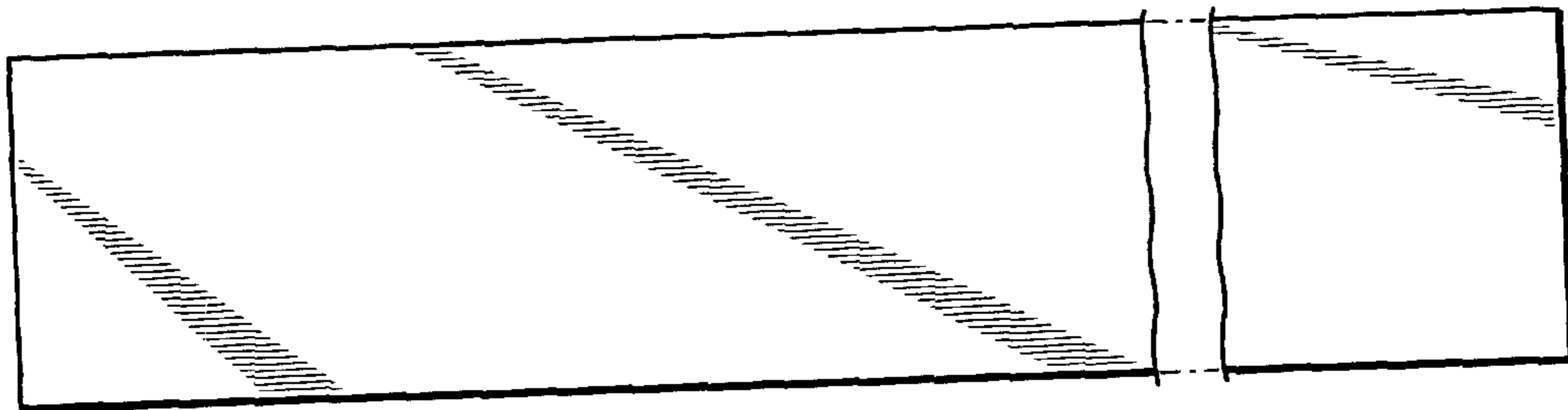


FIG. 6

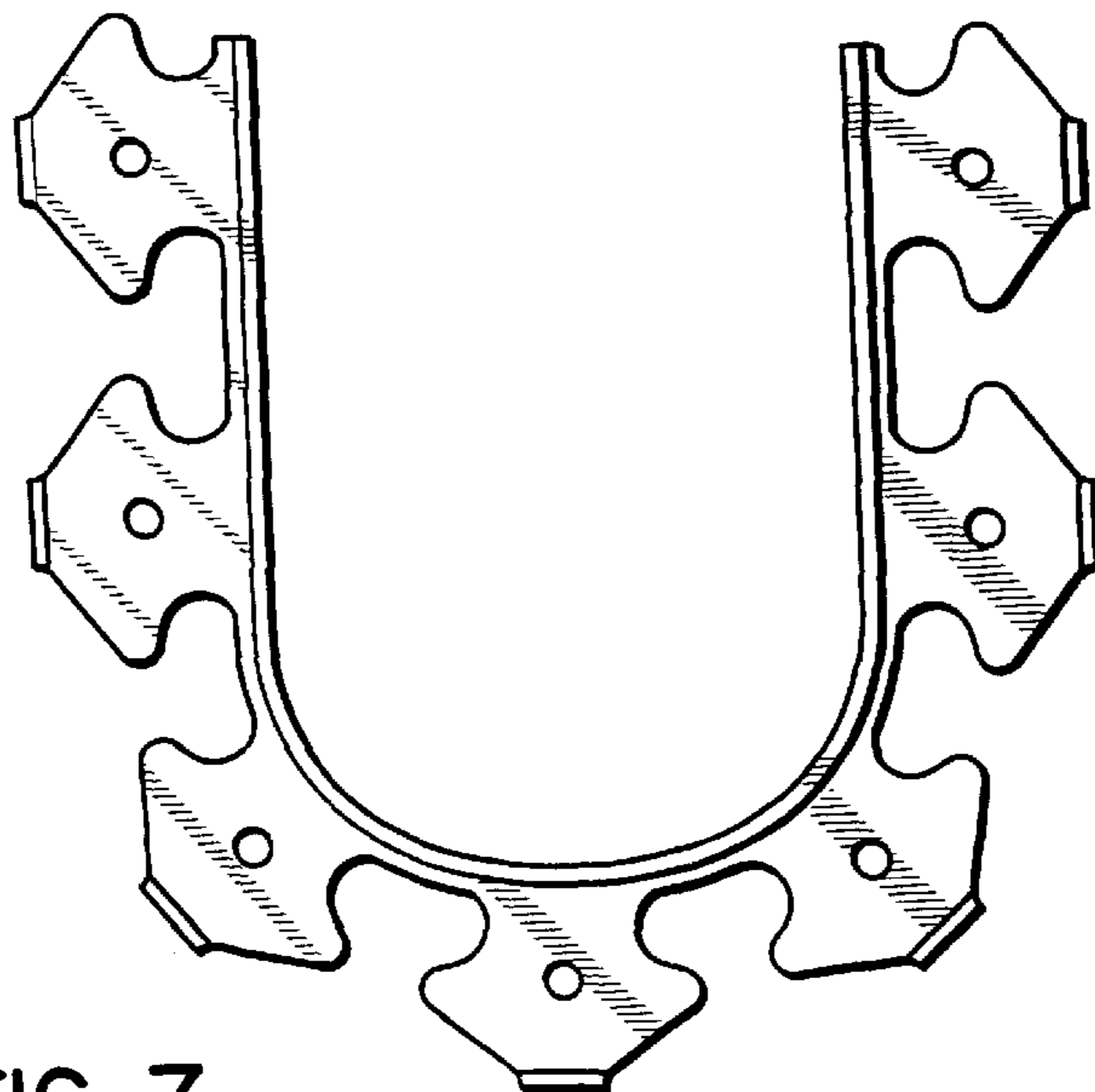


FIG. 7