



US00D543279S

(12) **United States Design Patent**  
**Numata et al.**

(10) **Patent No.:** **US D543,279 S**

(45) **Date of Patent:** **\*\* May 22, 2007**

(54) **SYRINGE**

(75) Inventors: **Shigeki Numata**, Shizuoka (JP);  
**Masayuki Endo**, Shizuoka (JP)

(73) Assignee: **Terumo Kabushiki Kaisha**, Tokyo (JP)

(\*\*) Term: **14 Years**

(21) Appl. No.: **29/255,688**

(22) Filed: **Mar. 13, 2006**

(30) **Foreign Application Priority Data**

Dec. 28, 2005 (JP) ..... 2005-038516

(51) **LOC (8) Cl.** ..... **24-02**

(52) **U.S. Cl.** ..... **D24/130; D24/114**

(58) **Field of Classification Search** ..... D24/112,  
D24/114, 130; 604/6.12, 93, 164-167, 187-189,  
604/192-194, 198, 208, 218, 223, 232, 240,  
604/241, 243, 263-264

See application file for complete search history.

(56) **References Cited**

**U.S. PATENT DOCUMENTS**

D338,957 S \* 8/1993 de Faire et al. .... D24/130  
D420,129 S \* 2/2000 McMahon ..... D24/130  
D425,198 S \* 5/2000 Porta ..... D24/130  
6,527,751 B2 \* 3/2003 Fischer et al. .... 604/218  
6,626,870 B1 \* 9/2003 Yarborough et al. .... 604/199  
2001/0021828 A1 \* 9/2001 Fischer et al. .... 604/218  
2006/0084917 A1 \* 4/2006 Chen ..... 604/110

**OTHER PUBLICATIONS**

Syringe made by Becton, Dickinson and Company, issued before the filing date of this application (Picture No. 1).

Pictures of Syringe made by Kabushiki Kaisha TOP, issued before the filing date of this application (Picture No. 2).

Pictures of Syringe made by Boston Scientific Corporation, issued before the filing date of this application (Picture No. 3).

Pictures of Syringe made by Merit Medical Systems, Inc., issued before the filing date of this application (Picture No. 4).

U.S. Appl. No. 29/255,686, filed Mar. 13, 2006, Shigeki Numata et al.

U.S. Appl. No. 29/255,687, filed Mar. 13, 2006. Shigeki Numata et al.

\* cited by examiner

*Primary Examiner*—Louis S. Zarfes

*Assistant Examiner*—Eric L. Goodman

(74) *Attorney, Agent, or Firm*—Akerman Senterfitt; Jean C. Edwards, Esq.

(57) **CLAIM**

The ornamental design for a syringe, as shown.

**DESCRIPTION**

FIG. 1 is a perspective view of the front, right and top of a syringe showing our new design;

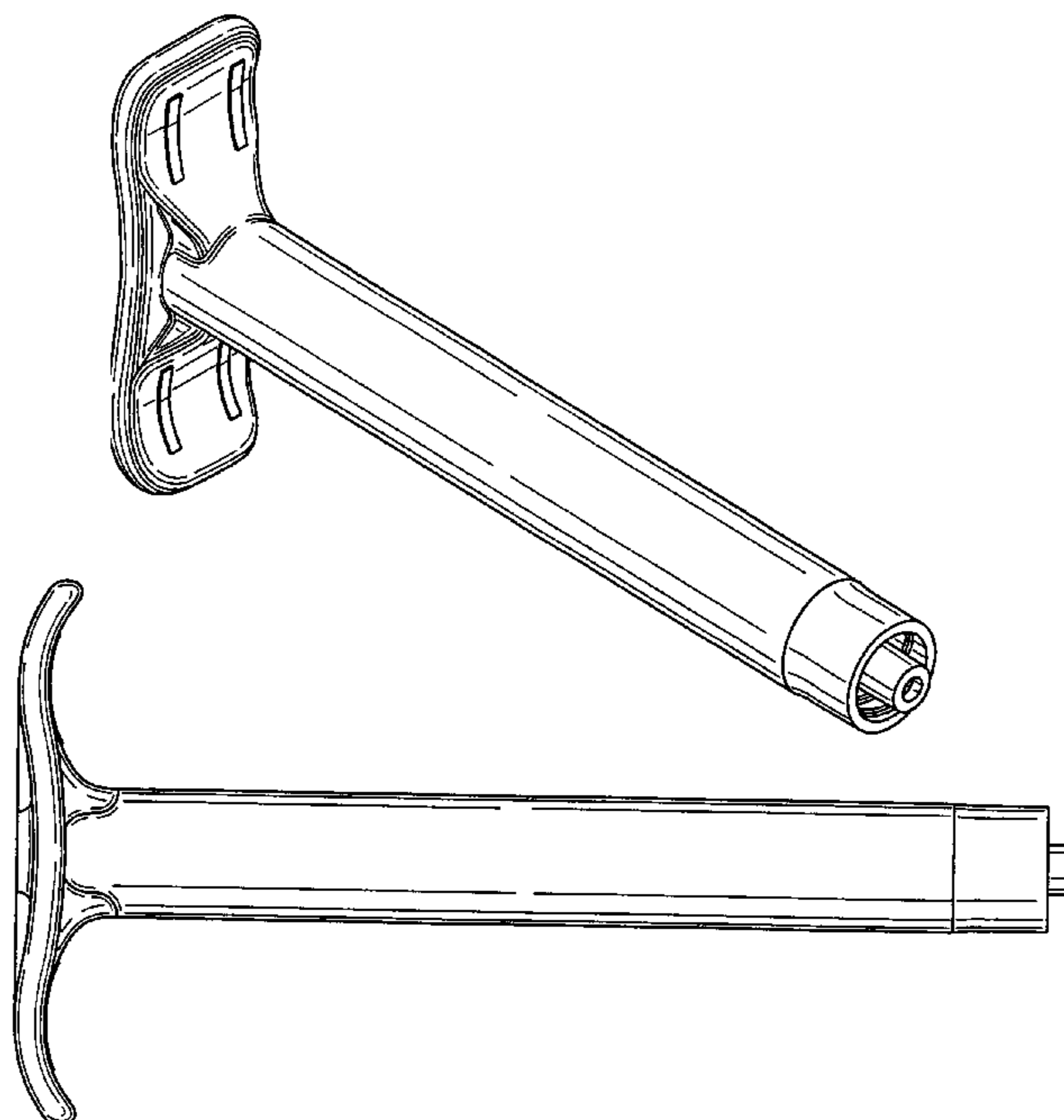
FIG. 2 is a front view thereof, the rear view being a mirror image thereof;

FIG. 3 is a top plan view thereof, the bottom view an identical image thereof;

FIG. 4 is a left side view thereof; and,

FIG. 5 is a right side view thereof.

**1 Claim, 2 Drawing Sheets**



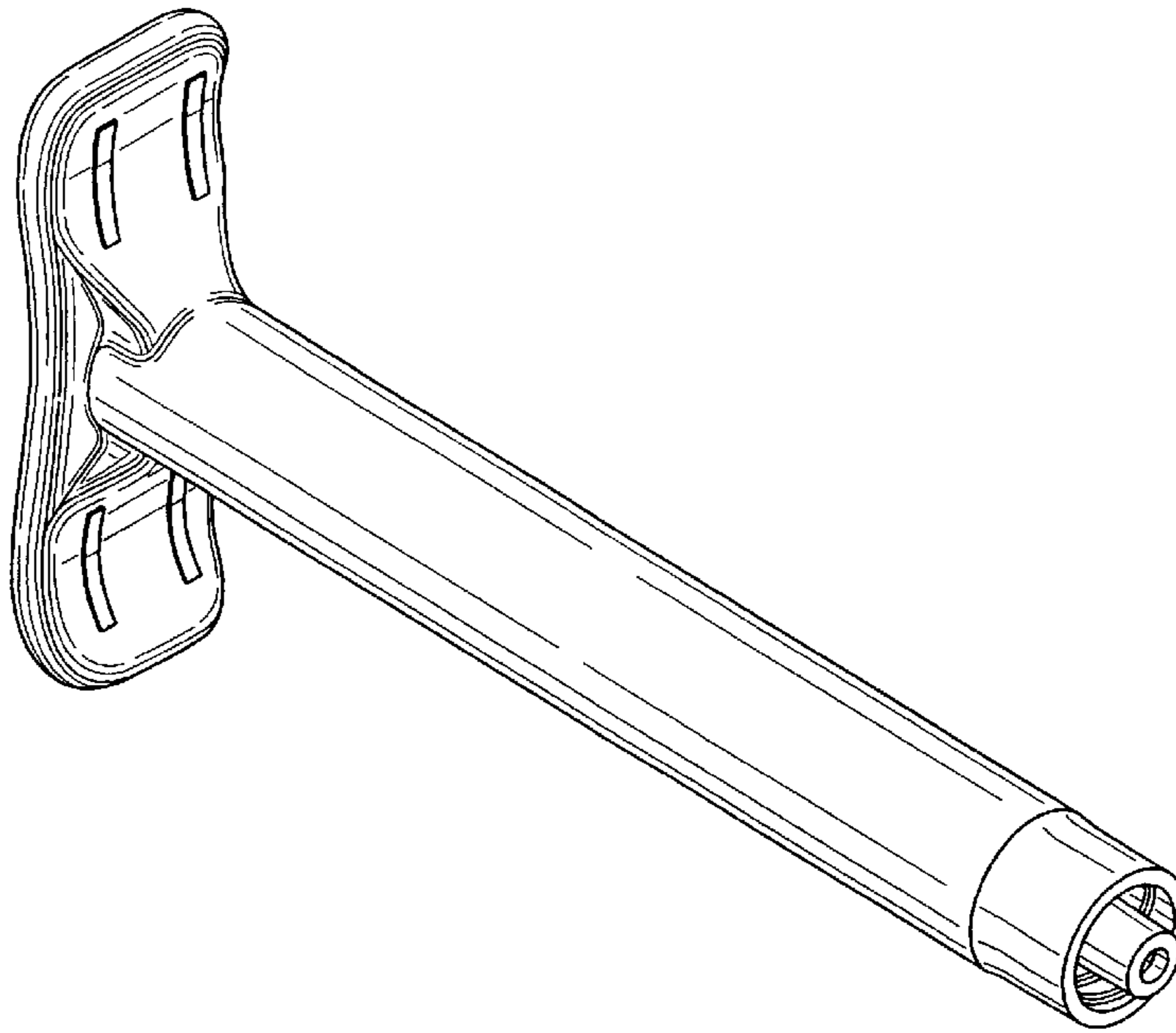


FIG. 1

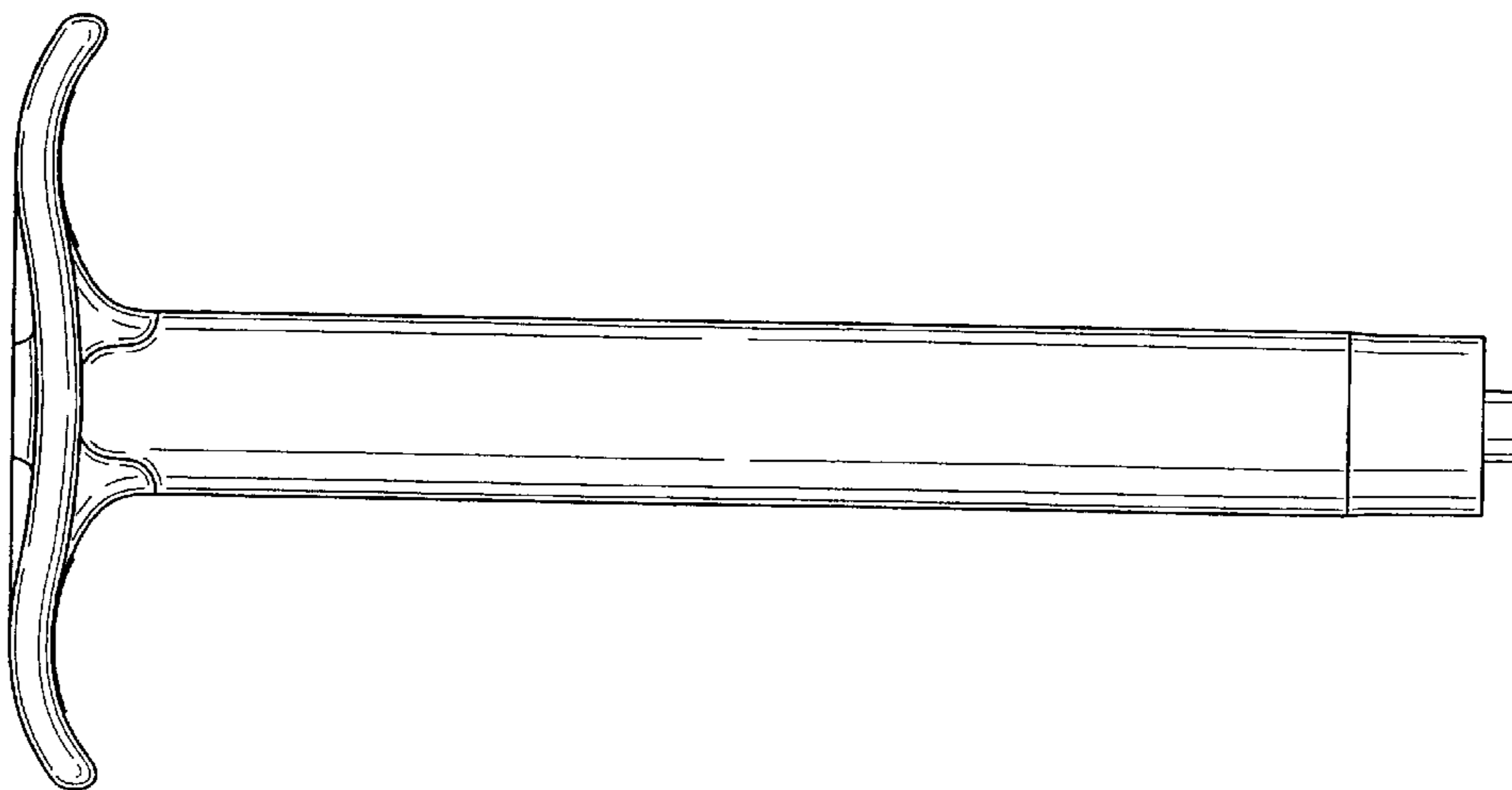


FIG. 2

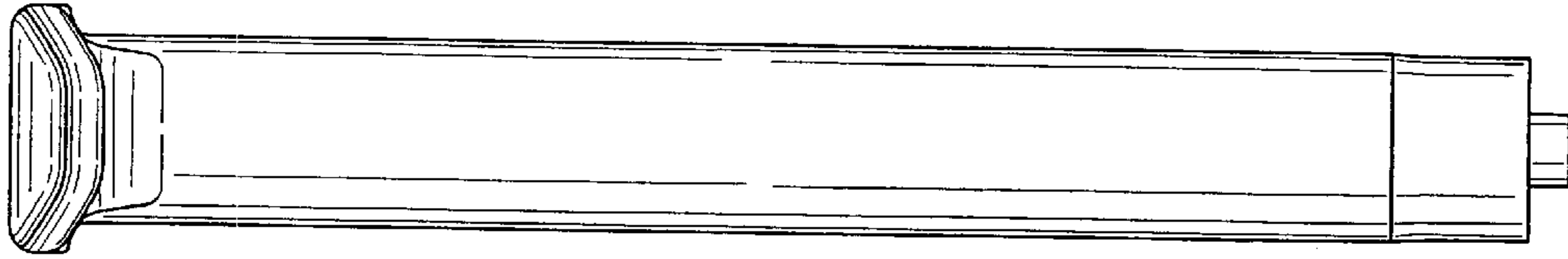


FIG. 3

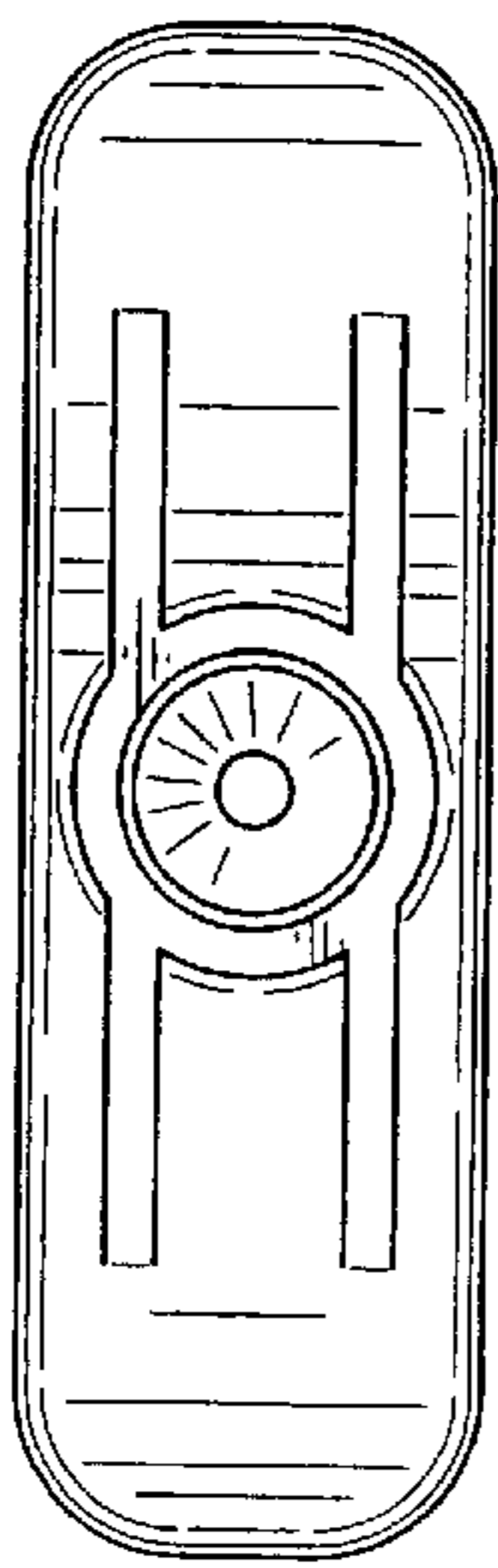


FIG. 4

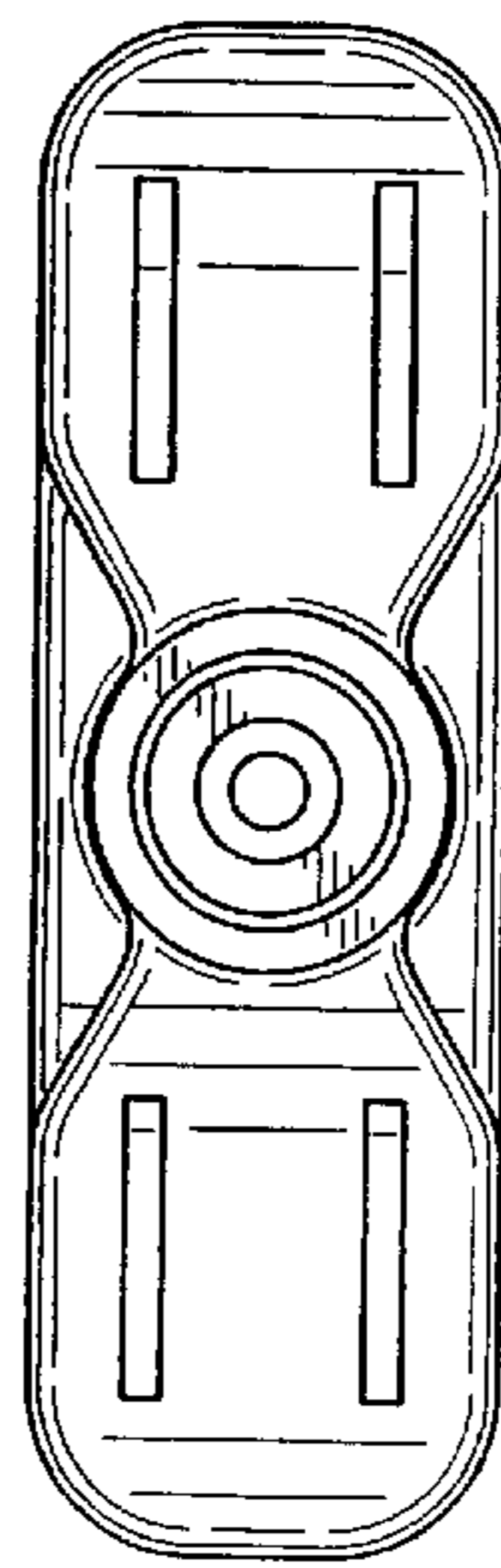


FIG. 5