



US00D543278S

(12) **United States Design Patent**
Numata et al.

(10) **Patent No.:** **US D543,278 S**

(45) **Date of Patent:** **** May 22, 2007**

(54) **SYRINGE**

2006/0084917 A1 * 4/2006 Chen 604/110

(75) Inventors: **Shigeki Numata**, Shizuoka (JP);
Masayuki Endo, Shizuoka (JP)

(73) Assignee: **Terumo Kabushiki Kaisha**, Tokyo (JP)

(**) Term: **14 Years**

(21) Appl. No.: **29/255,686**

(22) Filed: **Mar. 13, 2006**

(30) **Foreign Application Priority Data**

Dec. 28, 2005 (JP) 2005-038517

(51) **LOC (8) Cl.** **24-02**

(52) **U.S. Cl.** **D24/130; D24/114**

(58) **Field of Classification Search** D24/112,
D24/114, 130; 604/6.12, 93, 164-167, 187-189,
604/192-194, 198, 208, 218, 223, 232, 240,
604/241, 243, 263-264

See application file for complete search history.

(56) **References Cited**

U.S. PATENT DOCUMENTS

D338,957 S *	8/1993	de Faire et al.	D24/130
D412,206 S *	7/1999	Basile et al.	D24/130
5,985,962 A *	11/1999	Knors et al.	524/101
D418,222 S *	12/1999	Pellow	D24/130
D420,129 S *	2/2000	McMahon	D24/130
D425,198 S *	5/2000	Porta	D24/130
6,527,751 B2 *	3/2003	Fischer et al.	604/218
6,626,870 B1 *	9/2003	Yarborough et al.	604/199
2001/0021828 A1 *	9/2001	Fischer et al.	604/218

OTHER PUBLICATIONS

Syringe made by Becton, Dickinson and Company, issued before the filing date of this application (Picture No. 1).
Pictures of Syringe made by Kabushiki Kaisha TOP, issued before the filing date of this application (Picture No. 2).
Pictures of Syringe made by Boston Scientific Corporation, issued before the filing date of this application (Picture No. 3).
Pictures of Syringe made by Merit Medical Systems, Inc., issued before the filing date of this application (Picture No. 4).

* cited by examiner

Primary Examiner—Louis S. Zarfes

Assistant Examiner—Eric L. Goodman

(74) *Attorney, Agent, or Firm*—Akerman Senterfitt; Jean C. Edwards, Esq.

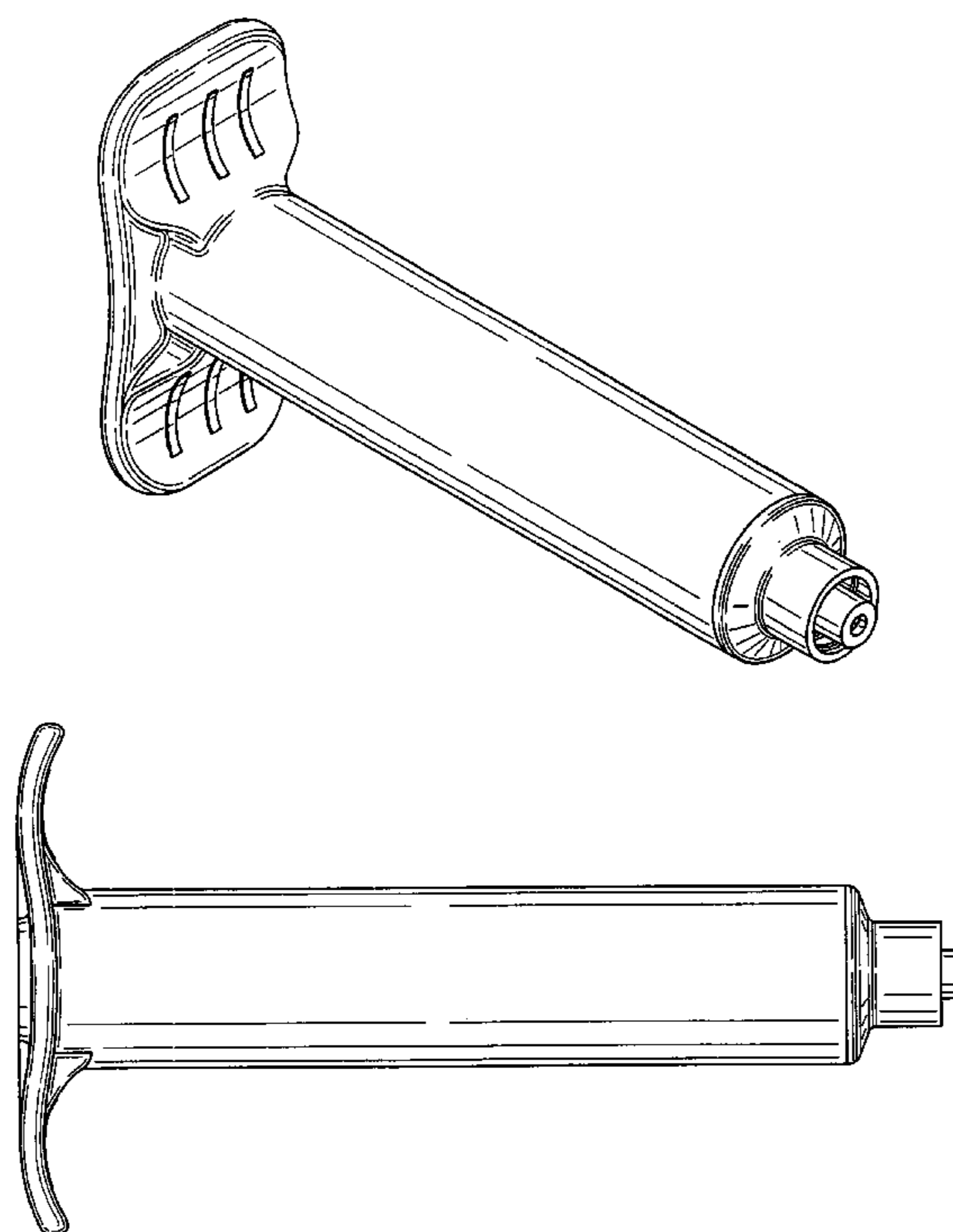
(57) **CLAIM**

The ornamental design for a syringe, as shown.

DESCRIPTION

FIG. 1 is a perspective view of the front, right and top of a syringe showing our new design;
FIG. 2 is a front view thereof, the rear view being a mirror image thereof;
FIG. 3 is a top plan view thereof, the bottom view being an identical image thereof;
FIG. 4 is a left side view thereof; and,
FIG. 5 is a right side view thereof.

1 Claim, 2 Drawing Sheets



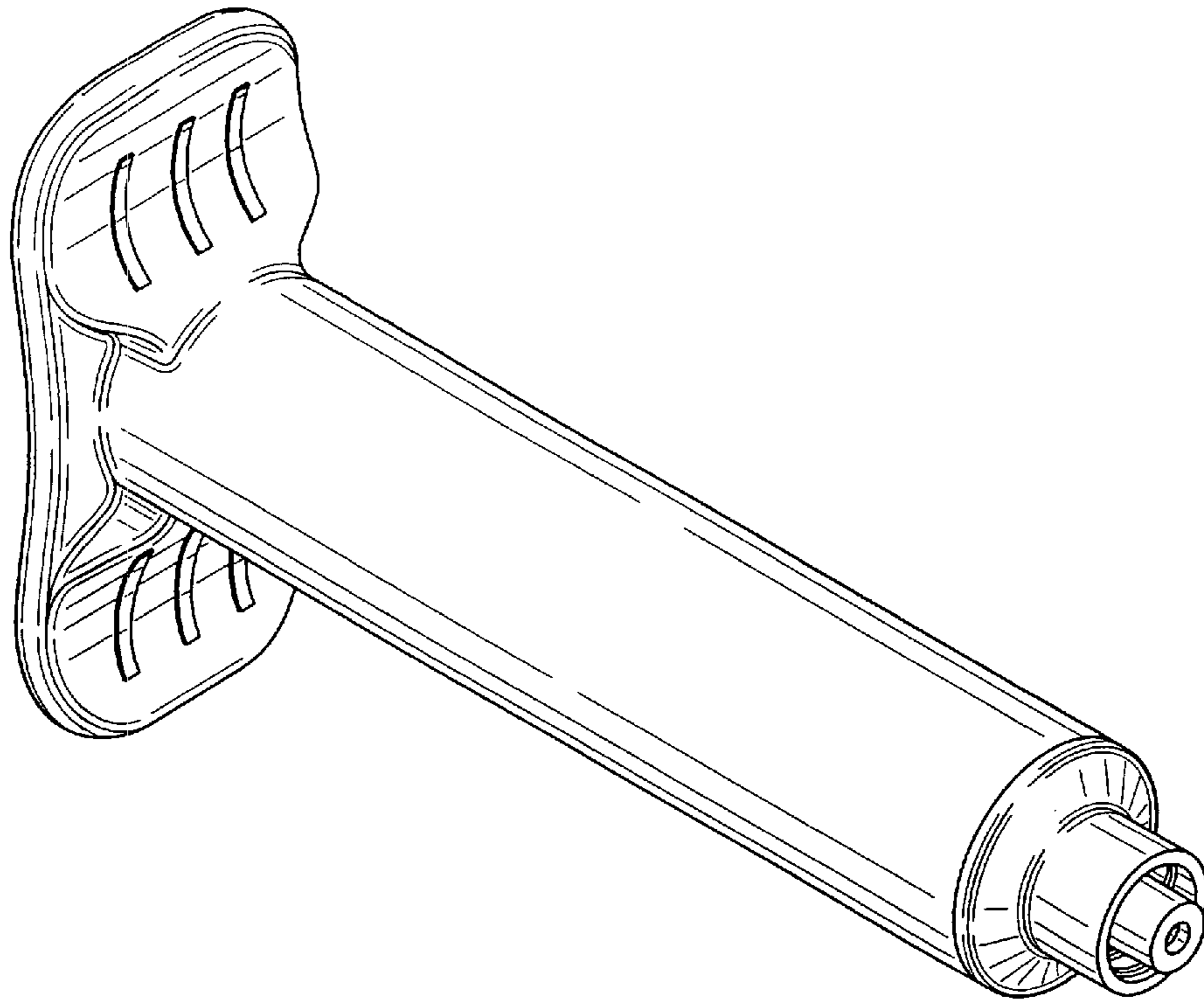


FIG. 1

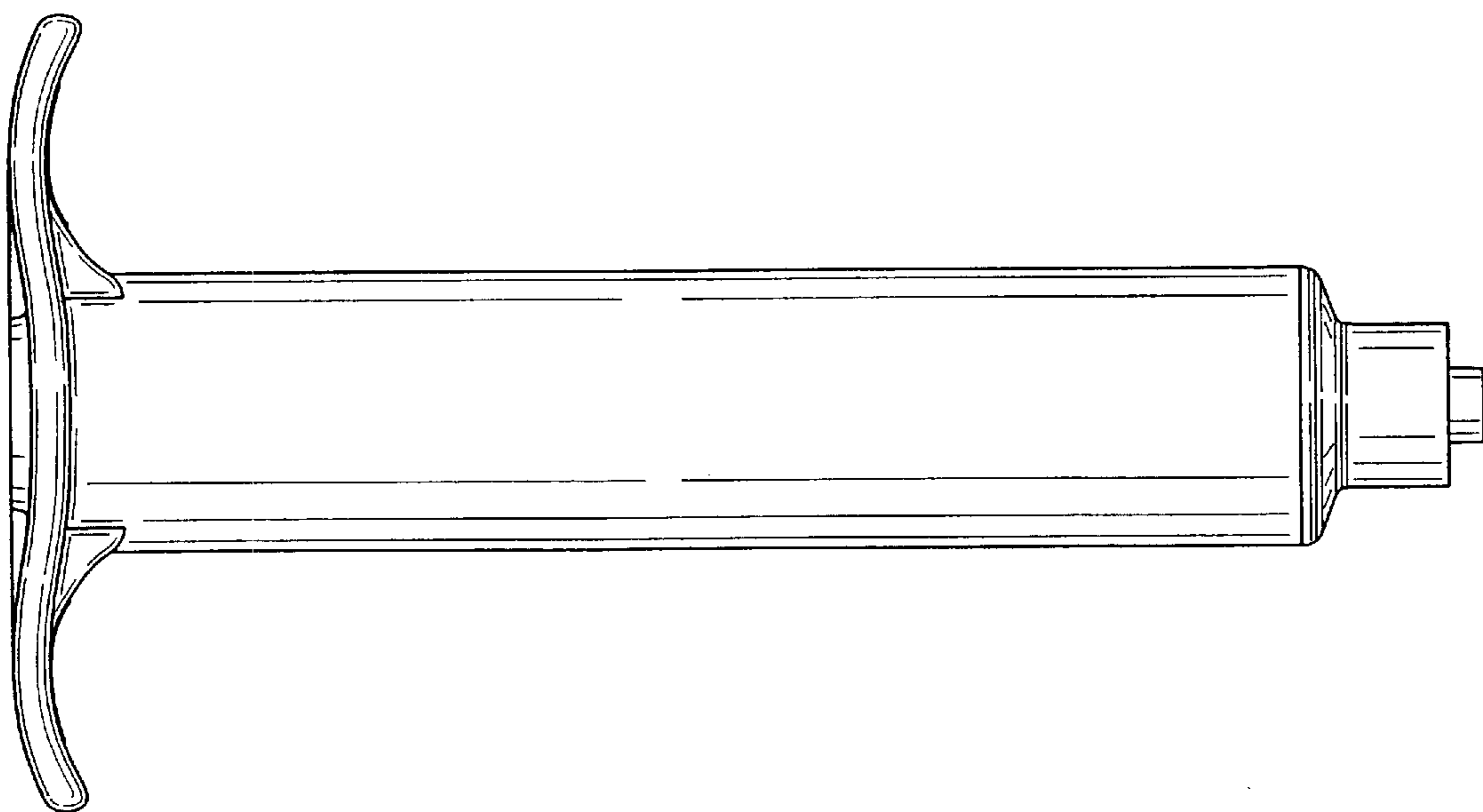


FIG. 2

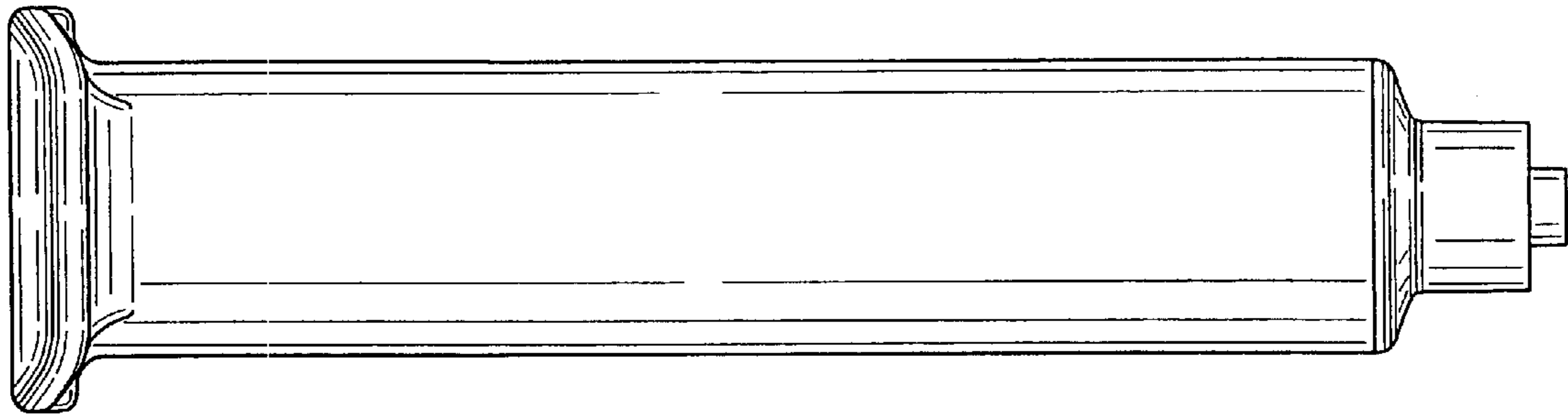


FIG. 3

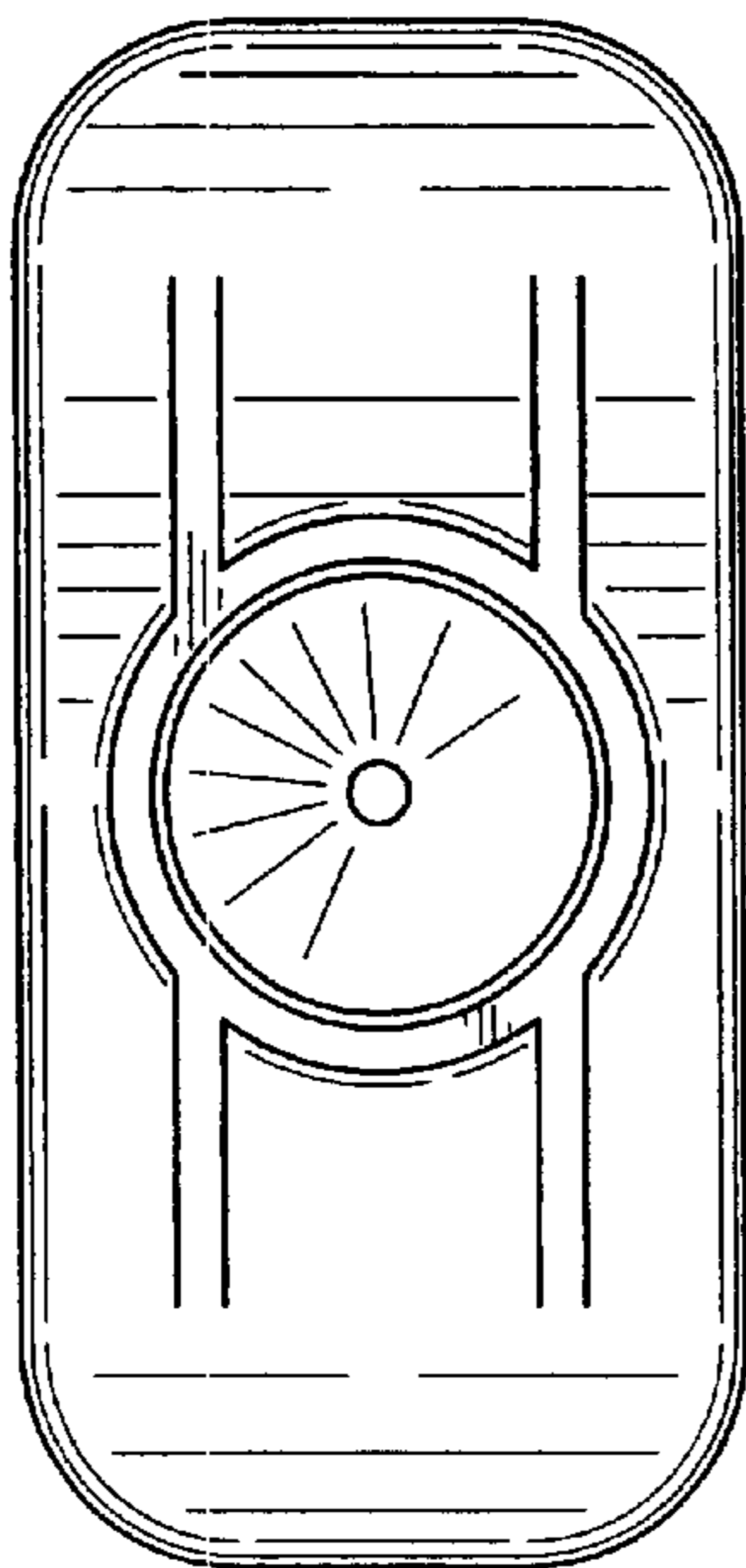


FIG. 4

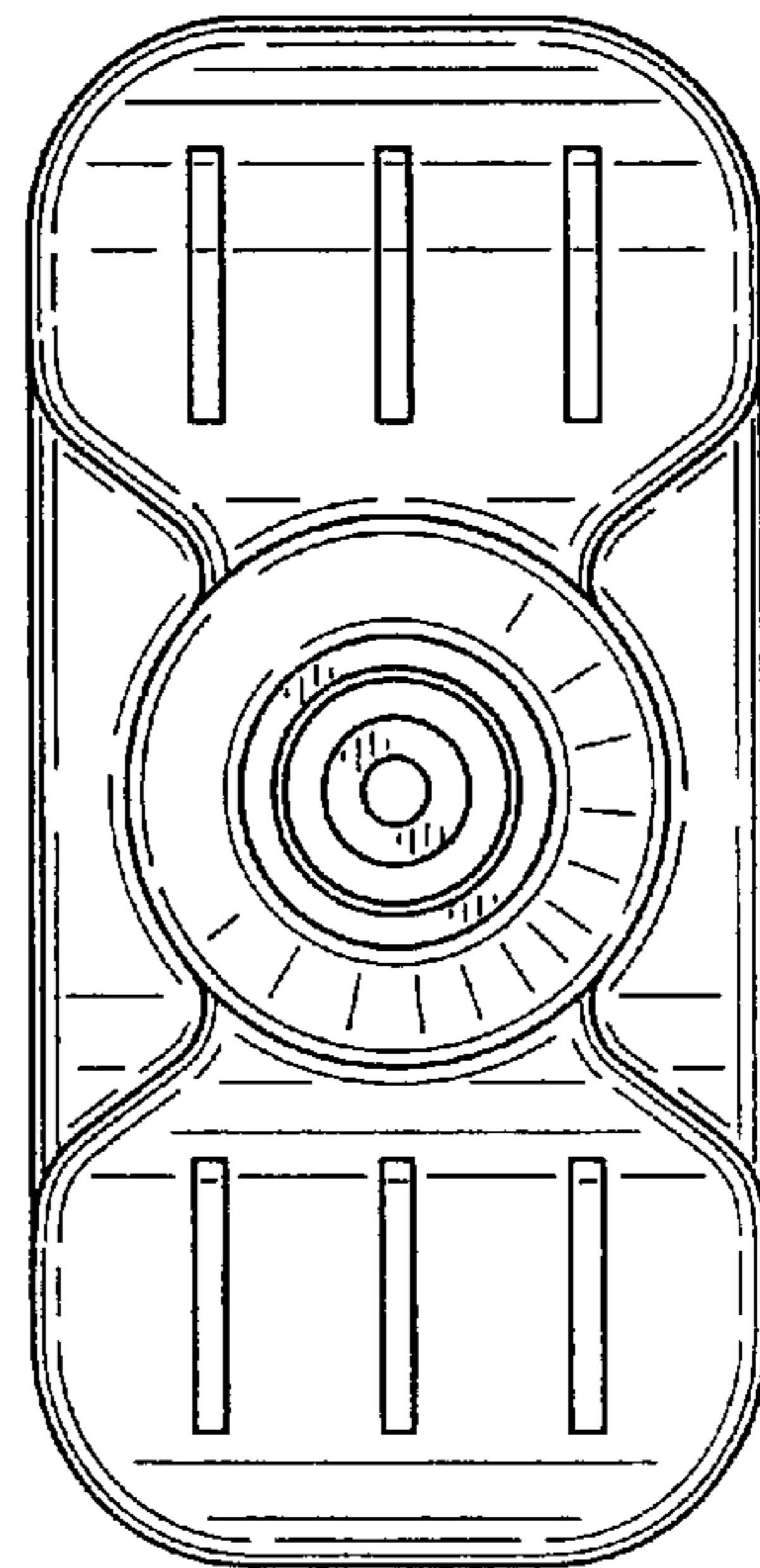


FIG. 5