



US00D543277S

(12) **United States Design Patent**  
**White**

(10) **Patent No.:** **US D543,277 S**

(45) **Date of Patent:** **\*\* May 22, 2007**

(54) **Y-INJECTION SITE PATIENT BRACELET  
FOB FOR I.V. ADMINISTRATION SETS**

(76) Inventor: **James E. White**, 4127 E. Churchill St.,  
Springfield, MO (US) 65809

(\*\*) Term: **14 Years**

(21) Appl. No.: **29/221,614**

(22) Filed: **Jan. 18, 2005**

(51) **LOC (8) Cl.** ..... **24-01**

(52) **U.S. Cl.** ..... **D24/128; 604/180; 604/174**

(58) **Field of Classification Search** ..... D24/127-130,  
D24/191; 128/DIG. 15, DIG. 26; 604/174,  
604/176, 180, 241-242

See application file for complete search history.

(56) **References Cited**

**U.S. PATENT DOCUMENTS**

3,630,195	A	*	12/1971	Santomieri	.....	604/180
D258,387	S	*	2/1981	De Frank	.....	D24/128
D290,041	S	*	5/1987	Scott	.....	D24/128
4,878,897	A	*	11/1989	Katzin	.....	604/86
5,084,026	A	*	1/1992	Shapiro	.....	604/179
5,116,324	A	*	5/1992	Brierley et al.	.....	604/180
5,316,246	A	*	5/1994	Scott et al.	.....	248/68.1
5,470,321	A	*	11/1995	Forster et al.	.....	604/174
5,643,216	A		7/1997	White	.....	604/174
D414,872	S	*	10/1999	Doyle	.....	D24/191
D457,240	S	*	5/2002	Islava	.....	D24/130

D484,592	S	*	12/2003	Ryhman et al.	.....	D24/128
2002/0133121	A1	*	9/2002	Bierman	.....	604/174
2004/0167475	A1	*	8/2004	Wright et al.	.....	604/180

\* cited by examiner

*Primary Examiner*—Louis S. Zarfaz

*Assistant Examiner*—Eric L. Goodman

(74) *Attorney, Agent, or Firm*—Jonathan A. Bay

(57) **CLAIM**

The ornamental design for a Y-injection site patient bracelet fob for I.V. administration sets, as shown and described.

**DESCRIPTION**

FIG. 1 is a perspective view of a Y-injection site patient bracelet fob for I.V. administration sets showing my new design;

FIG. 2 is a top plan view thereof;

FIG. 3 is a front elevational view thereof;

FIG. 4 is a rear elevational view thereof;

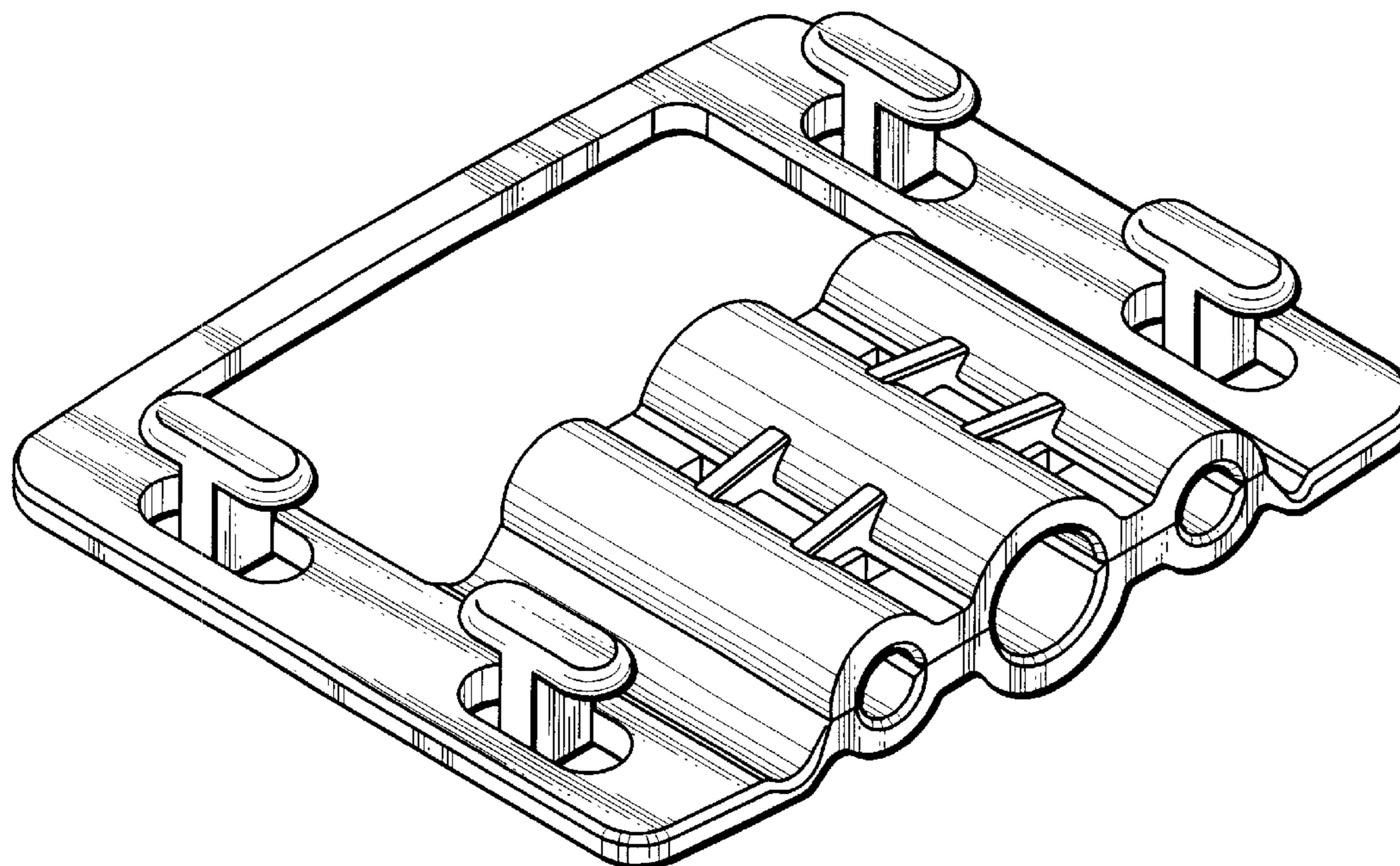
FIG. 5 is a left side elevational view thereof, the right side elevational view being a mirror opposite of the left side;

FIG. 6 is a bottom plan view thereof;

FIG. 7 is a perspective view comparable to FIG. 1 except showing a Y-injection site, I.V. tubing, and apertured elastic banding in broken lines for illustrative purposes only and forming no part of the claimed design; and,

FIG. 8 is an exploded view of FIG. 1.

**1 Claim, 5 Drawing Sheets**



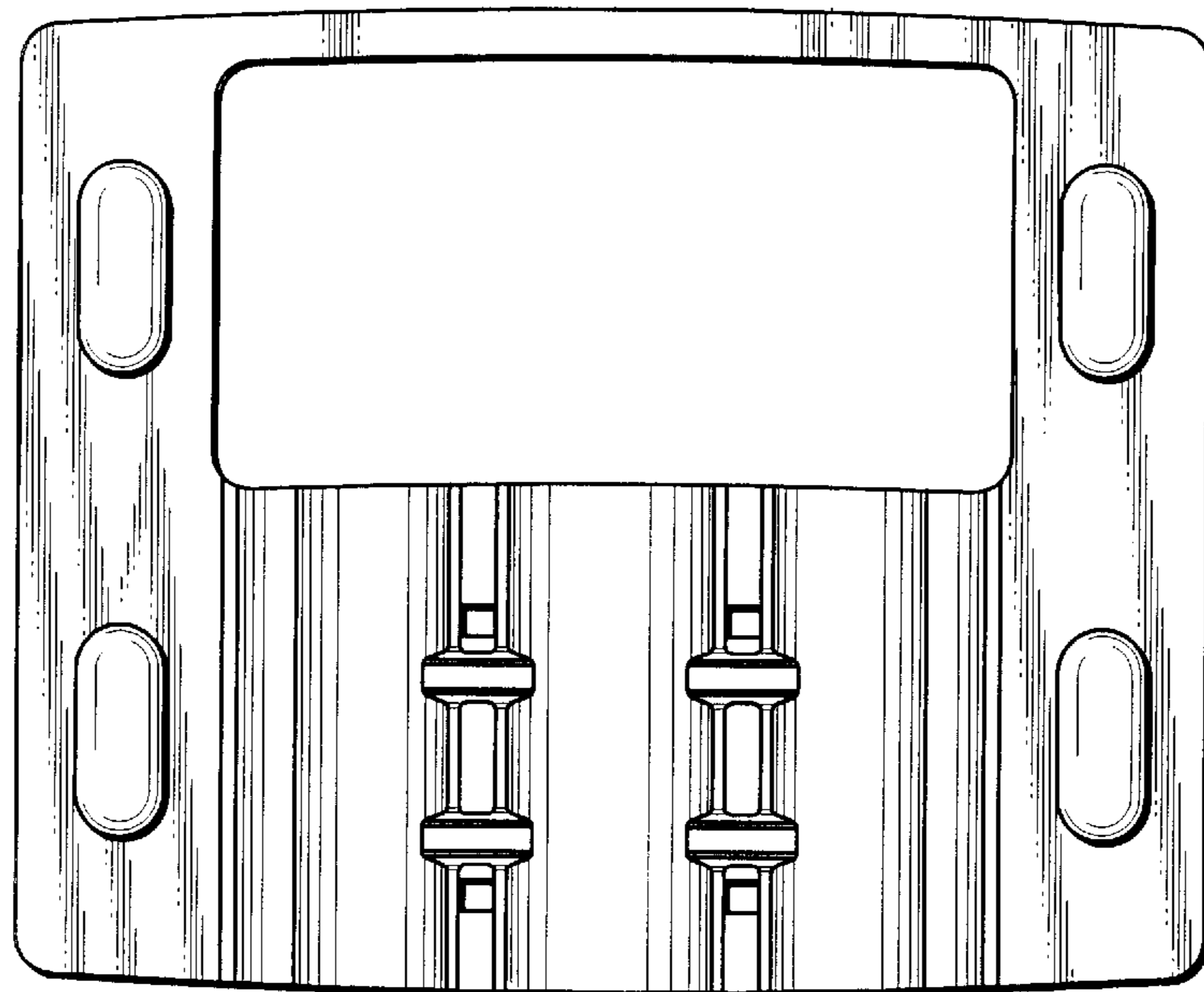
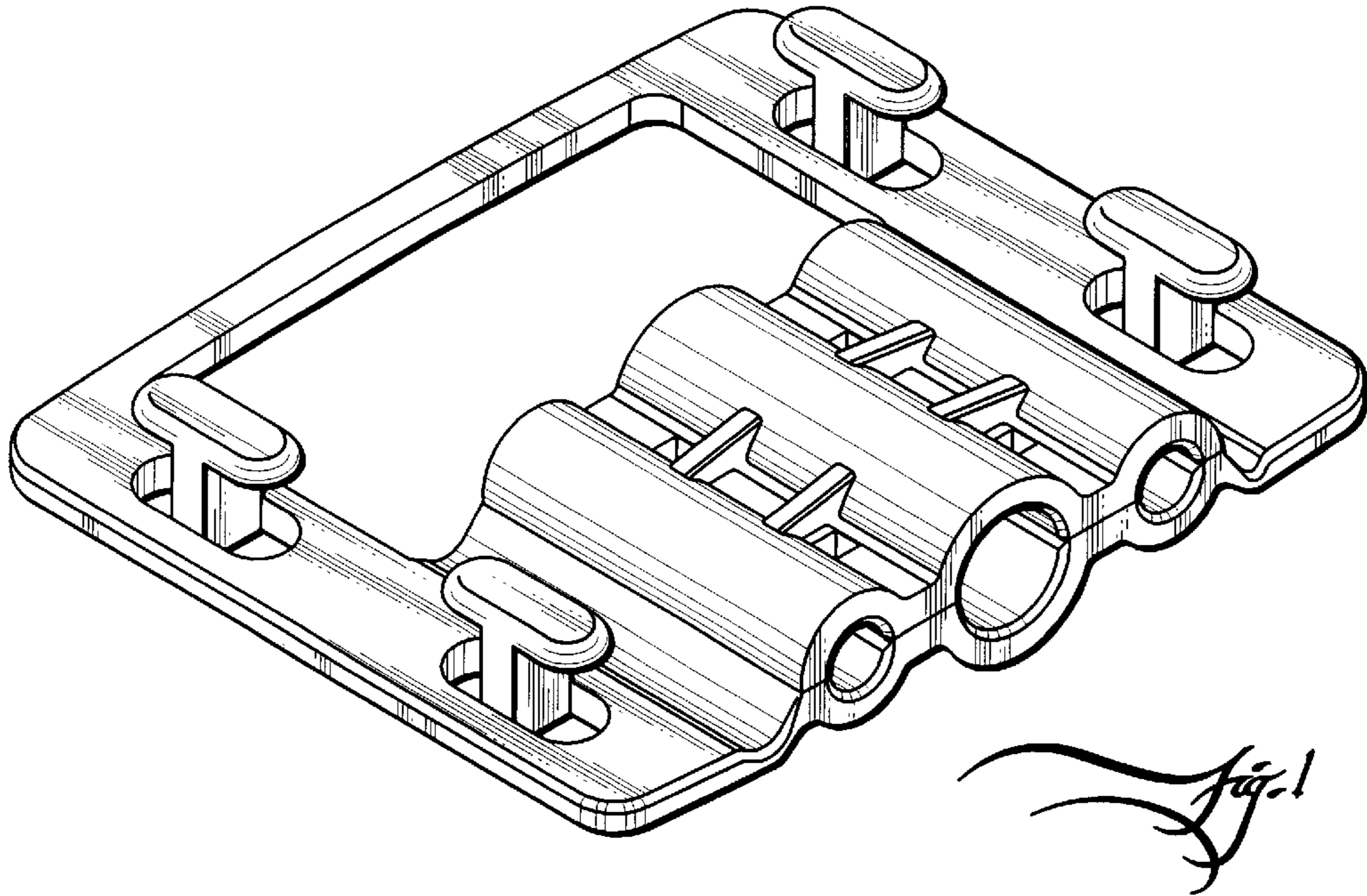
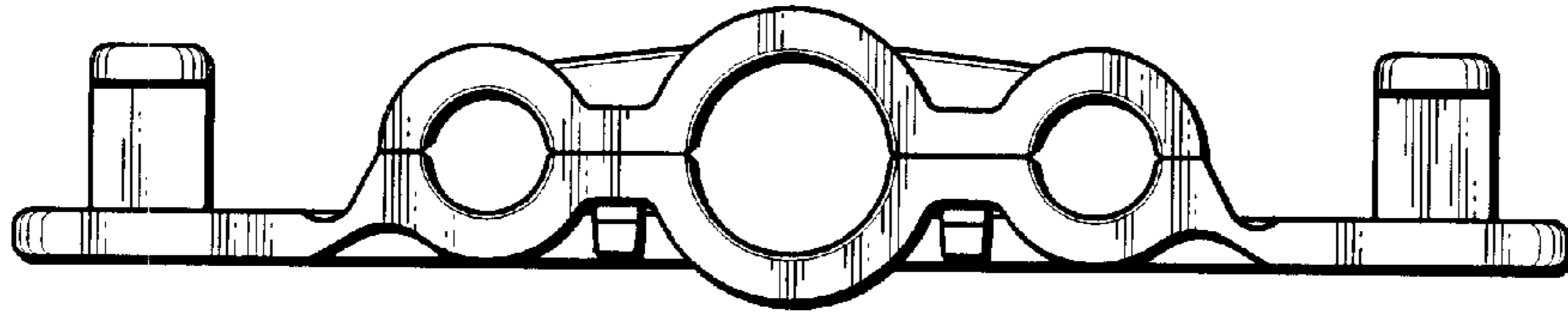
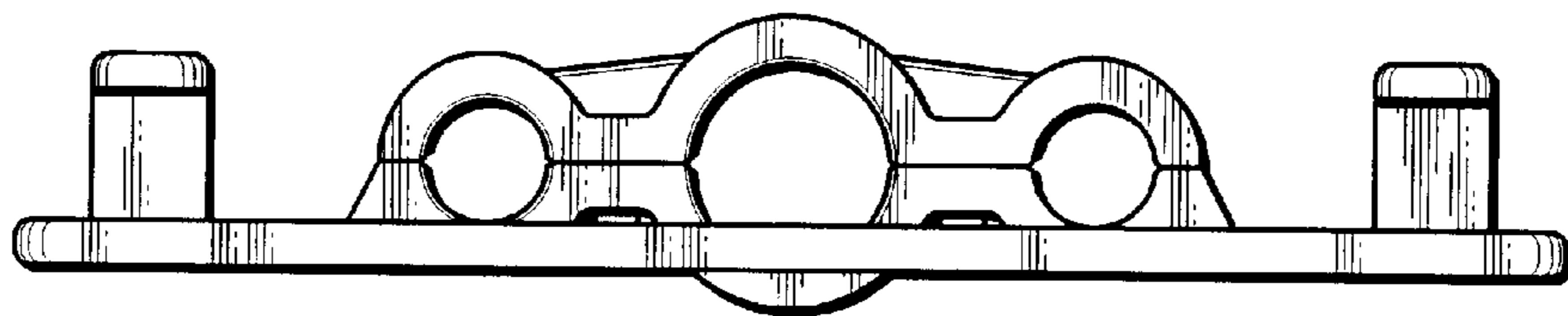


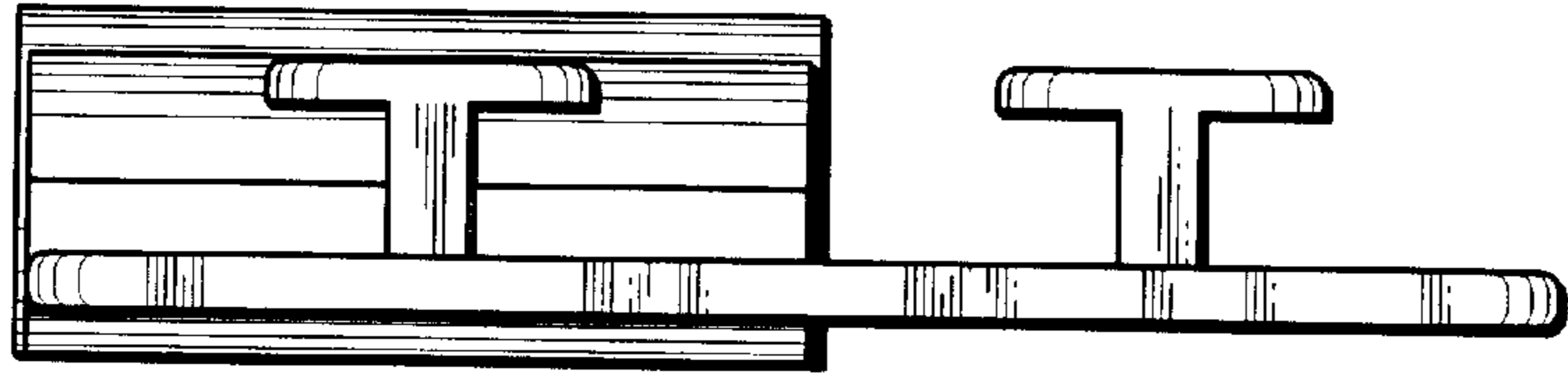
Fig. 2



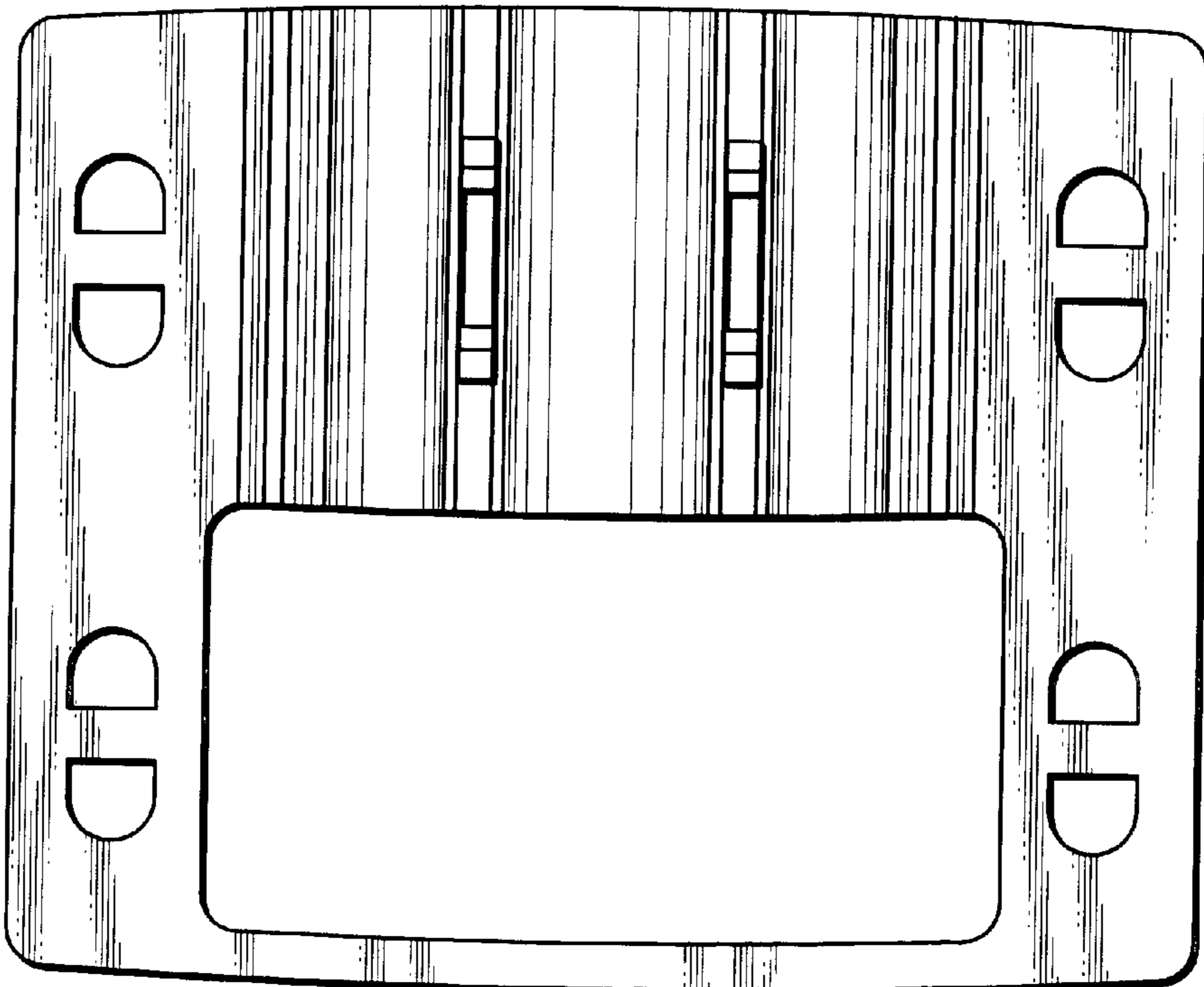
*Fig. 3*



*Fig. 4*

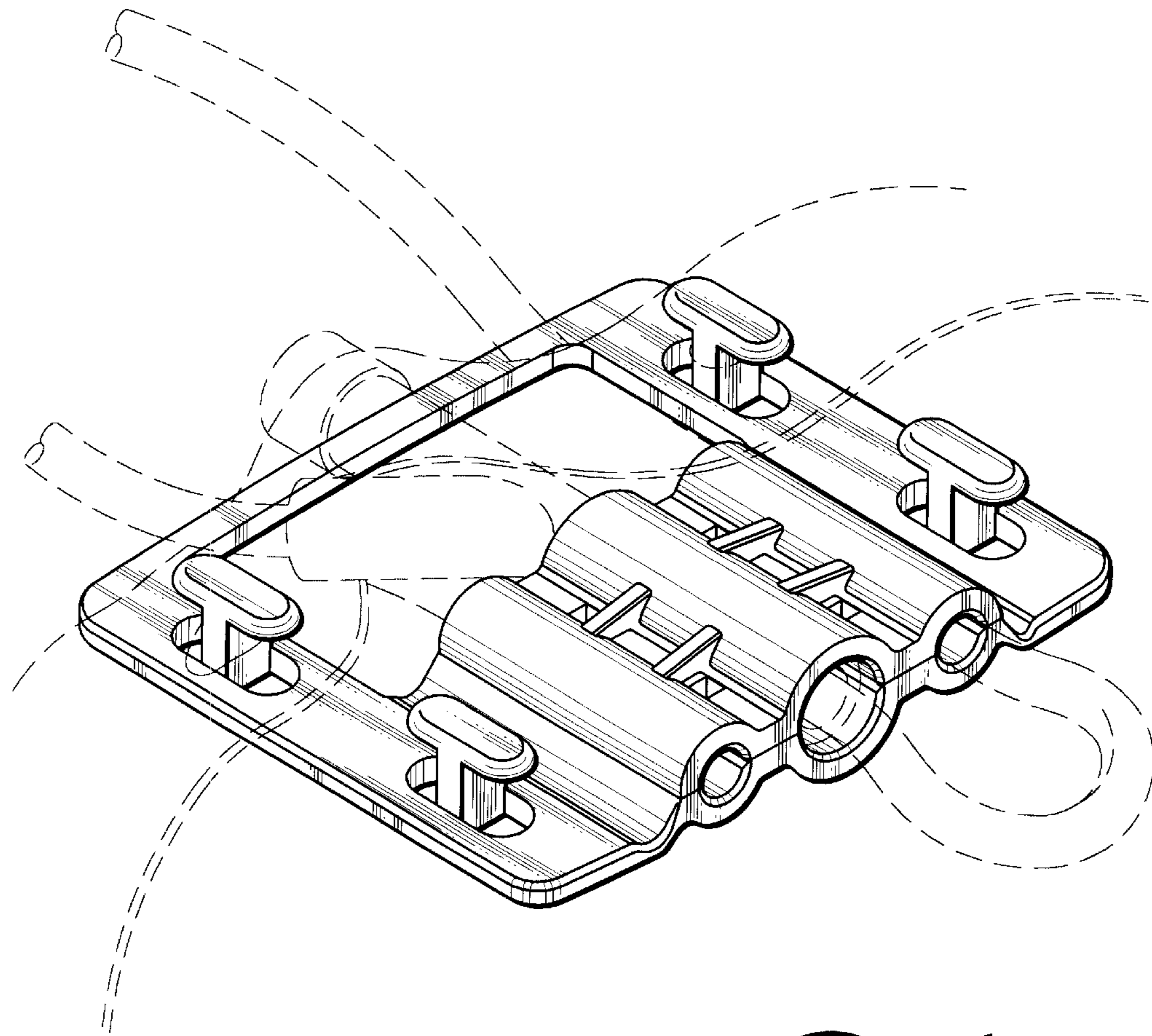


*Fig. 5*

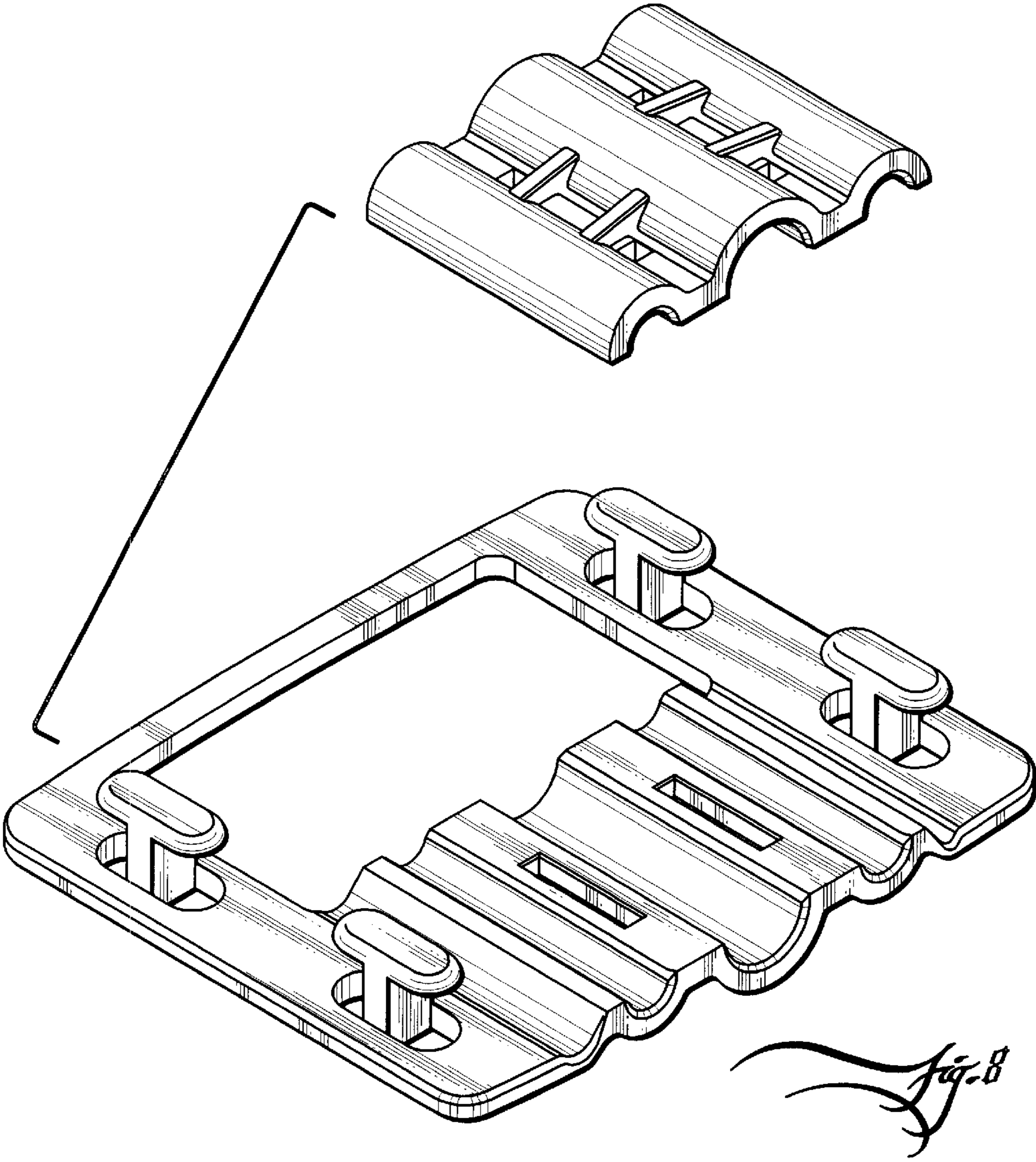


*Fig. 6*





*Fig. 7*



*Fig. 8*