

US00D543275S

(12) **United States Design Patent** (10) **Patent No.:** **US D543,275 S**
Hermansson et al. (45) **Date of Patent:** **** May 22, 2007**

(54) **OPENINGS FOR INCONTINENCE PANT**

D483,868 S 12/2003 Otsubo et al.
6,921,393 B2 * 7/2005 Tears et al. 604/385.04

(75) Inventors: **Sofia Hermansson**, Västra Frölunda (SE); **Catarina Linnér**, Lindome (SE); **Anna-Carin Elfström**, Torslanda (SE)

FOREIGN PATENT DOCUMENTS

(73) Assignee: **SCA Hygiene Products AB**, Gothenburg (SE)

EM	000025192-001	7/2003
EM	000025192-002	7/2003
EM	000025192-003	7/2003
EM	000025192-004	7/2003
EM	000025192-005	7/2003
EM	000025192-006	7/2003
EM	000025192-007	7/2003
EM	000025192-008	7/2003
EM	000025192-009	7/2003
EM	000025192-010	7/2003
GB	2008313	1/1991
GB	2009460	1/1991
GB	2011829	4/1991

(**) **Term:** **14 Years**

(21) **Appl. No.:** **29/235,715**

(22) **Filed:** **Aug. 5, 2005**

Related U.S. Application Data

(62) Division of application No. 29/196,990, filed on Jan. 9, 2004, now Pat. No. Des. 514,223.

* cited by examiner

(30) **Foreign Application Priority Data**

Jul. 11, 2003 (SE) 03-0680

Primary Examiner—Louis S. Zarfaz
Assistant Examiner—Michelle Wilson

(51) **LOC (8) Cl.** **24-04**

(52) **U.S. Cl.** **D24/126**

(58) **Field of Classification Search** D24/124–126;
604/358, 384, 385.01, 385.04, 386, 378–380,
604/387

(74) *Attorney, Agent, or Firm*—Buchanan Ingersoll & Rooney PC

See application file for complete search history.

(57) **CLAIM**

The ornamental design for an openings for incontinence pant, as shown and described.

(56) **References Cited**

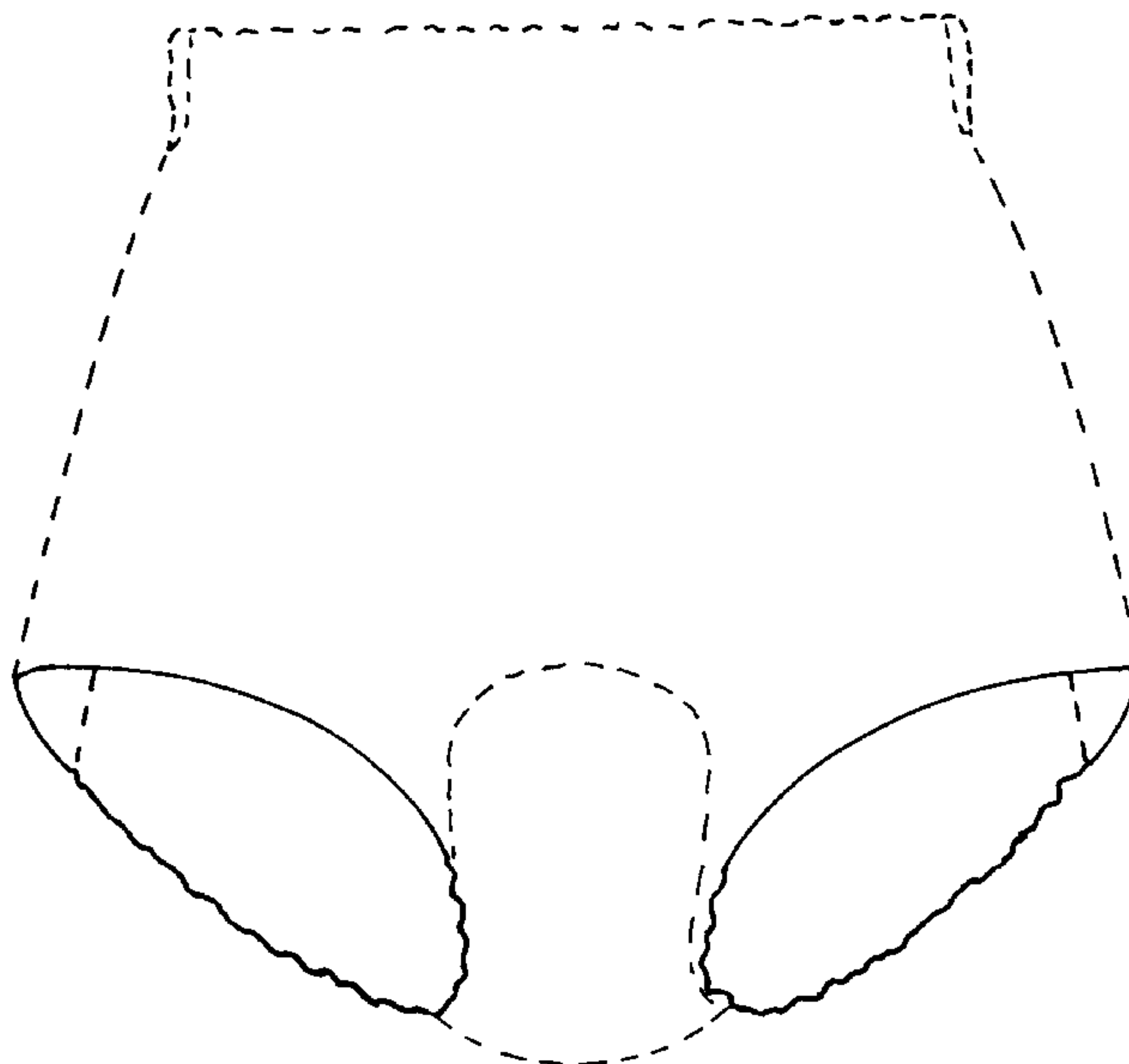
U.S. PATENT DOCUMENTS

D309,020 S	7/1990	Coates et al.
D339,633 S	9/1993	Porter
6,063,066 A	5/2000	Inoue et al.
D437,932 S	2/2001	Ruman et al.
6,503,239 B1 *	1/2003	Bruemmer-Prestley et al. 604/385.01
6,576,810 B1 *	6/2003	Underhill et al. 604/358

DESCRIPTION

FIG. 1 is a front elevational view of an incontinence pant, according to our new design;
FIG. 2 is a rear elevational thereof;
FIG. 3 is a right side elevational view thereof; and,
FIG. 4 is a left side elevational view thereof.
All portions shown in broken lines are for illustrative purposes only and form no part of the claimed designs.

1 Claim, 2 Drawing Sheets



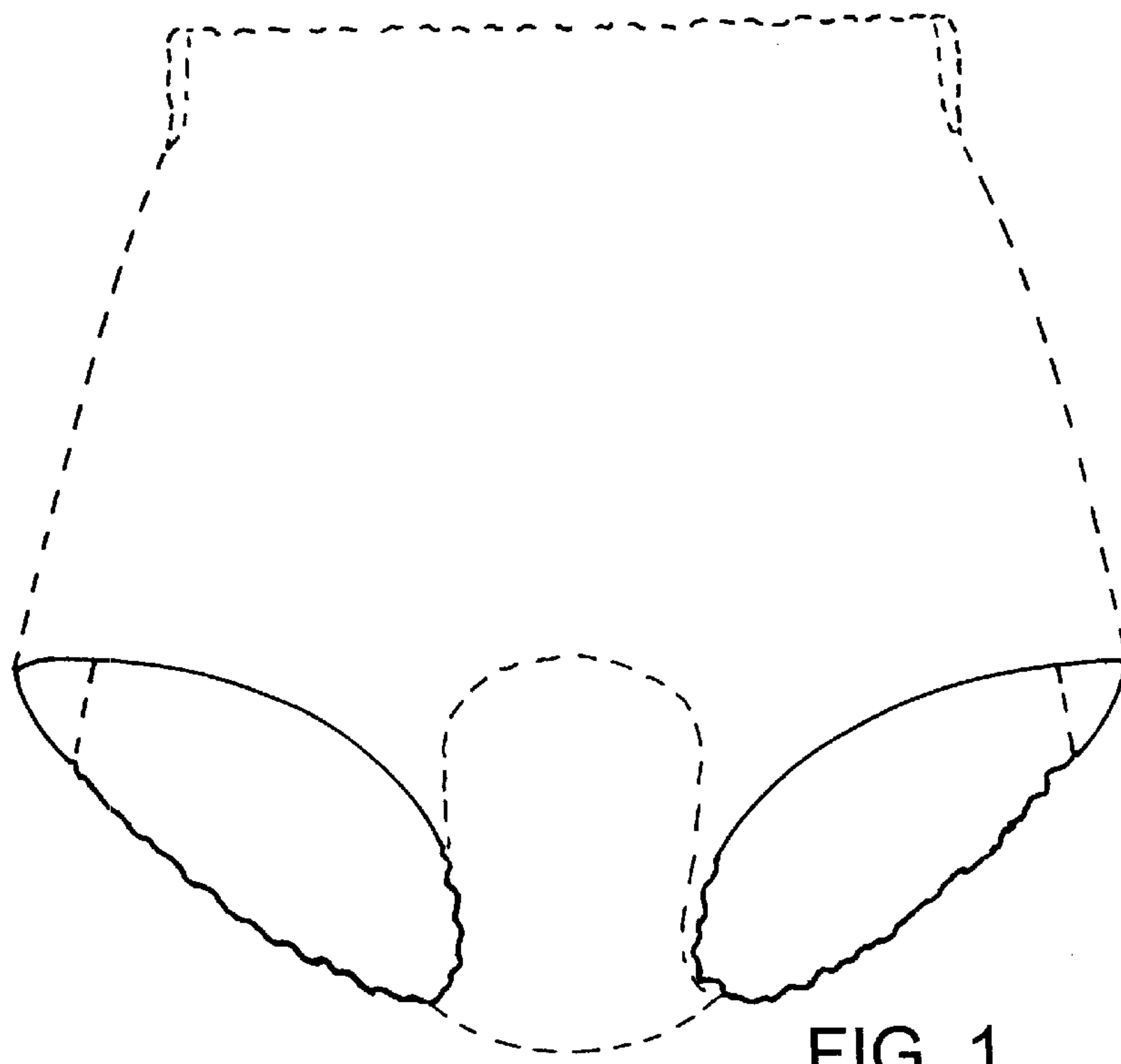


FIG. 1

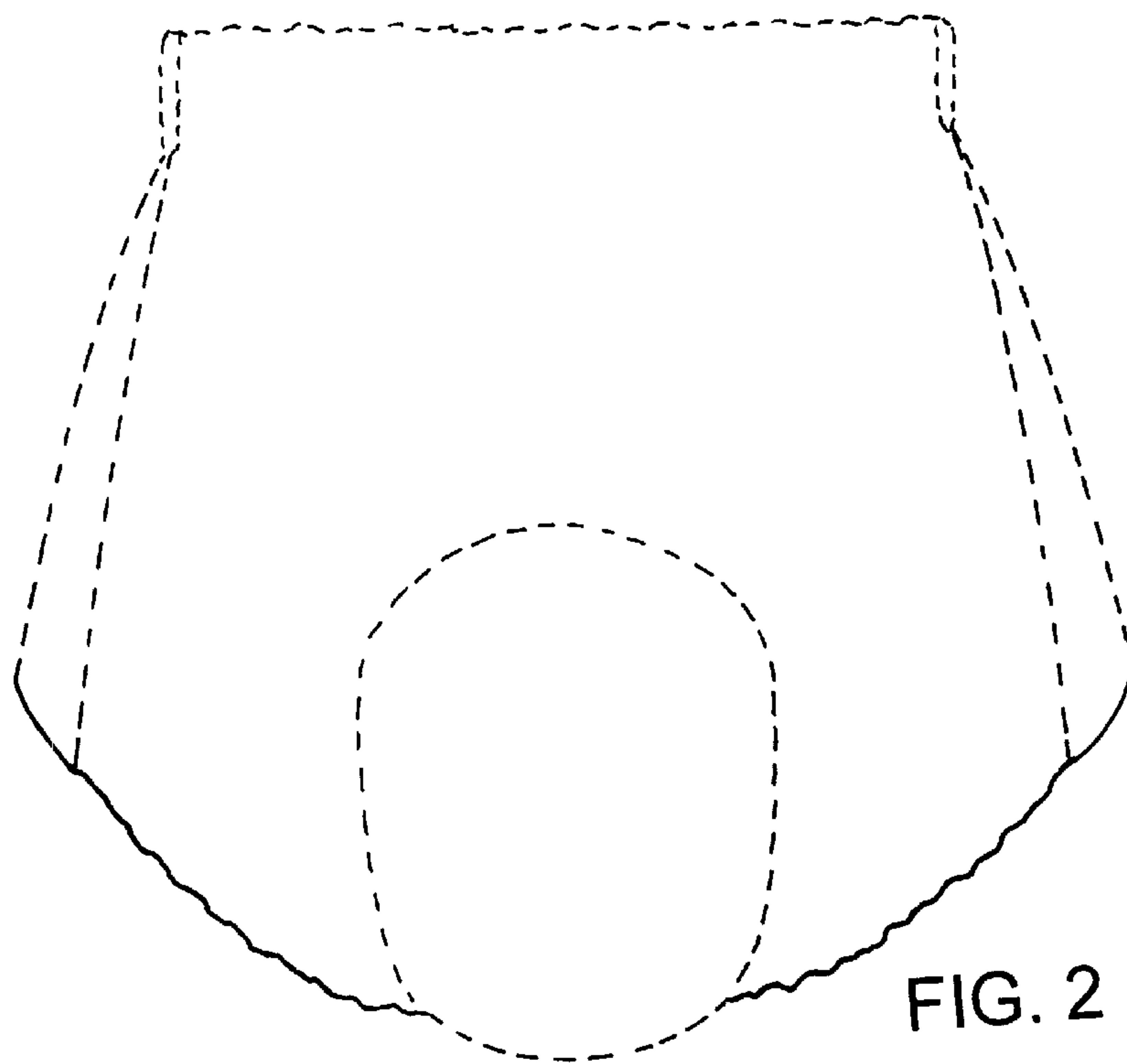


FIG. 2

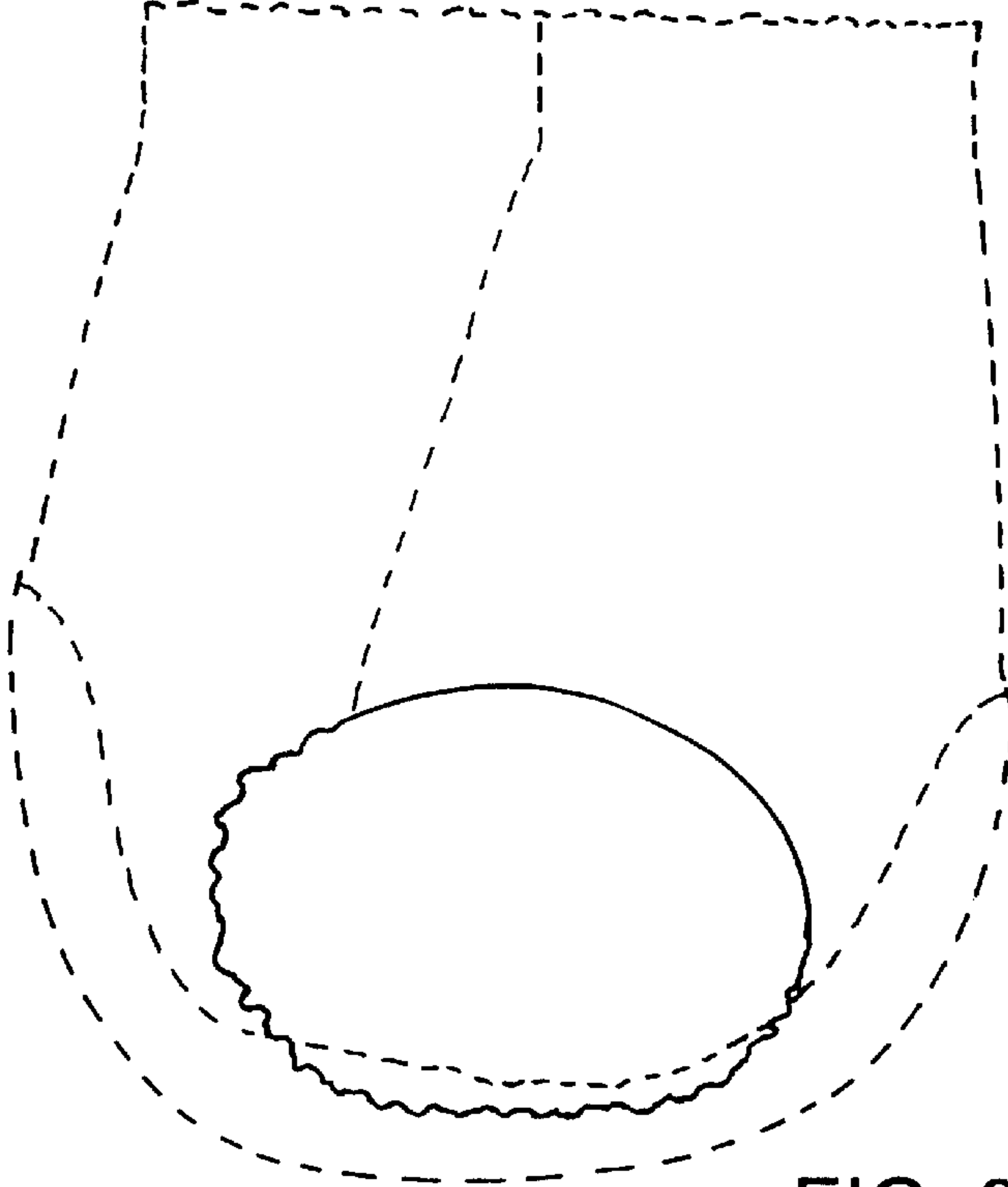


FIG. 3

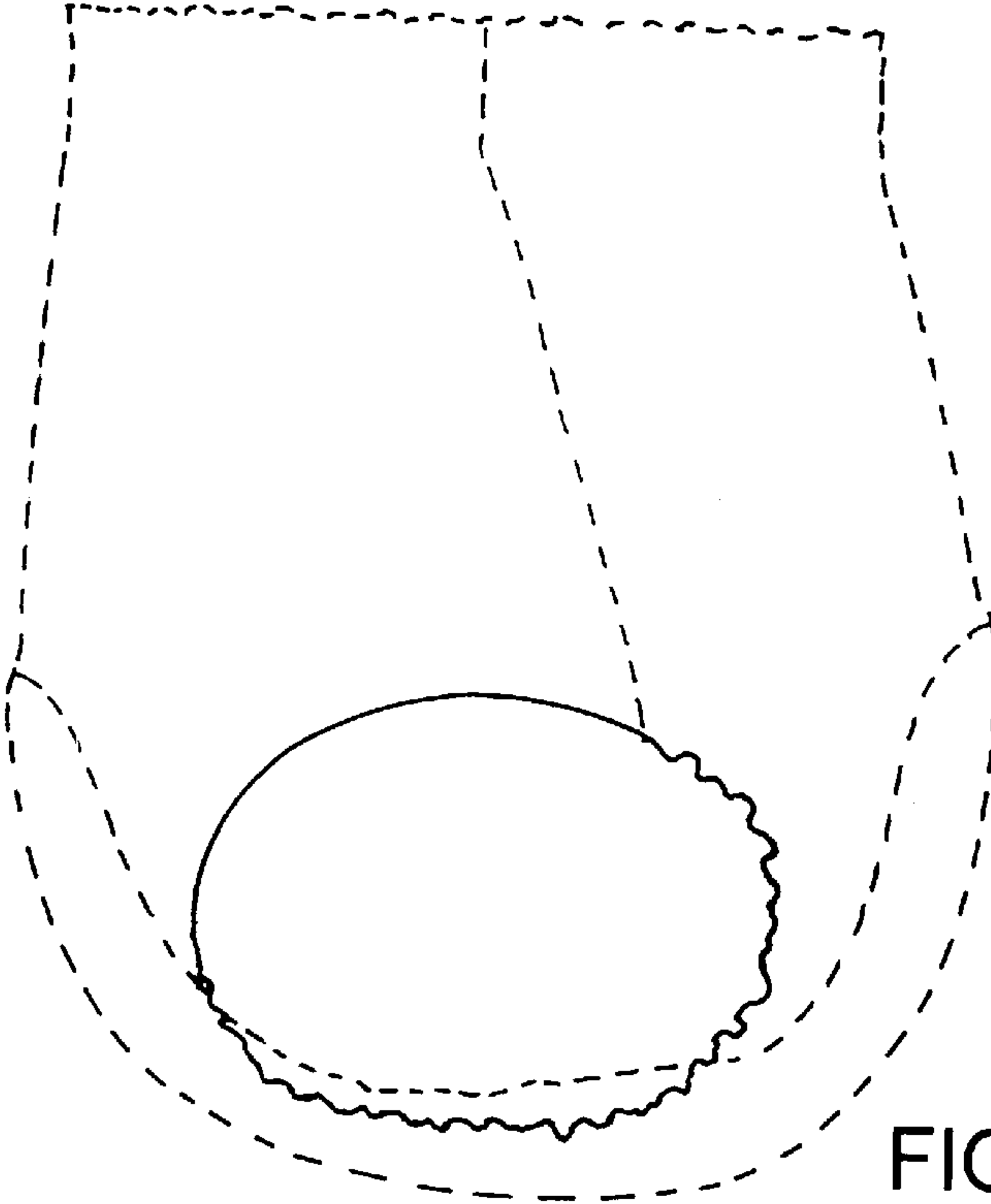


FIG. 4