

US00D543272S

(12) **United States Design Patent**  
**Gilad et al.**

(10) **Patent No.:** **US D543,272 S**

(45) **Date of Patent:** **\*\* May 22, 2007**

(54) **IMAGING DEVICE**

(75) Inventors: **Zvika Gilad**, Haifa (IL); **Semion Khait**, Tiberias (IL); **Eli Horn**, Kiryat Motzkin (IL)

(73) Assignee: **Given-Imaging, Ltd.**, Yoqneam (IL)

(\*\*) Term: **14 Years**

(21) Appl. No.: **29/230,235**

(22) Filed: **May 19, 2005**

(51) **LOC (8) Cl.** ..... **24-02**

(52) **U.S. Cl.** ..... **D24/113**

(58) **Field of Classification Search** ..... D24/113,  
D24/186, 104, 158, 101; 600/486, 476, 339,  
600/431, 309, 109, 160; 424/9.1, 451, 463,  
424/464; 396/14, 17

See application file for complete search history.

7,001,329	B2	*	2/2006	Kobayashi et al.	.....	600/109
2002/0042562	A1		4/2002	Meron et al.		
2005/0004474	A1	*	1/2005	Iddan	.....	600/476
2005/0049461	A1		3/2005	Honda et al.		
2005/0143623	A1	*	6/2005	Kojima	.....	600/109
2005/0192489	A1	*	9/2005	Marshall	.....	600/476
2005/0250991	A1	*	11/2005	Mizuno	.....	600/160
2006/0030752	A1	*	2/2006	Orihara	.....	600/109
2006/0100486	A1	*	5/2006	Maschke	.....	600/160
2006/0149132	A1	*	7/2006	Iddan	.....	600/160
2006/0206005	A1	*	9/2006	Ou-Yang et al.	.....	600/160

\* cited by examiner

*Primary Examiner*—Louis Zarfaz

*Assistant Examiner*—David Muller

(74) *Attorney, Agent, or Firm*—Pearl Cohen Zedek Latzer, LLP

(57) **CLAIM**

The ornamental design for an imaging device, as shown and described.

(56) **References Cited**

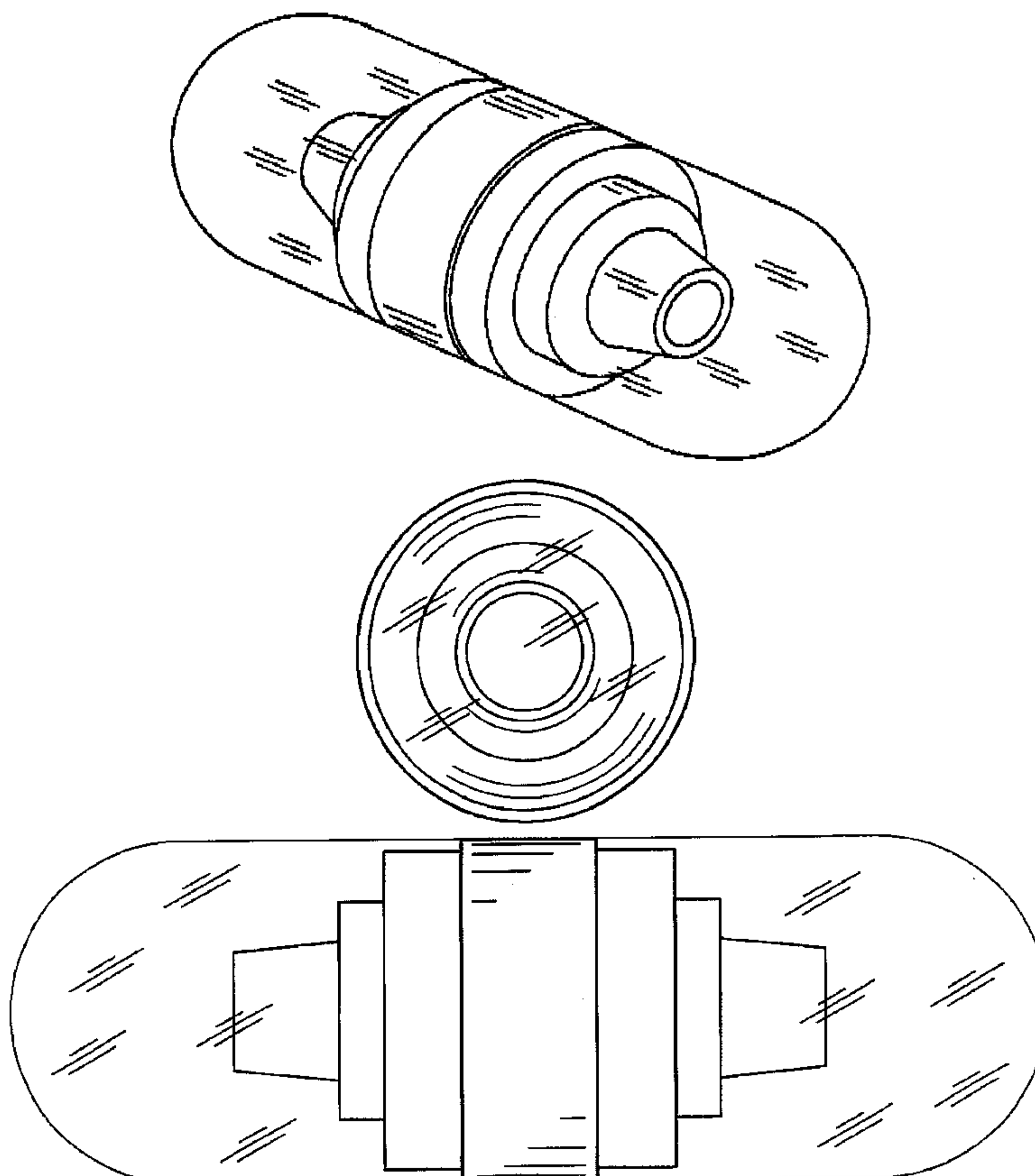
U.S. PATENT DOCUMENTS

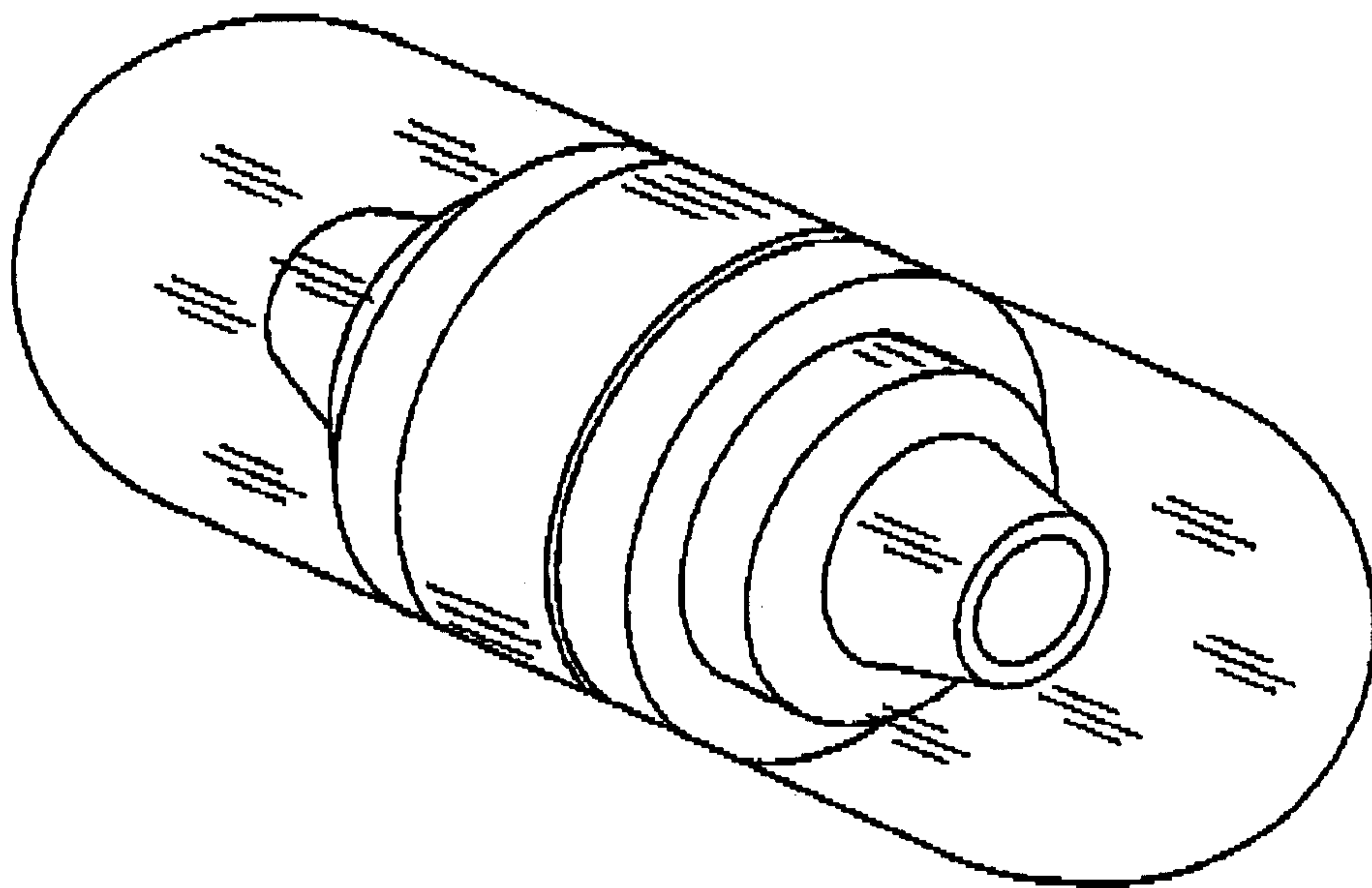
4,807,603	A		2/1989	Yasui		
6,365,183	B1	*	4/2002	Edgren et al.	.....	424/464
D501,549	S	*	2/2005	McAllister et al.	.....	D24/104
6,911,004	B2	*	6/2005	Kim et al.	.....	600/109
D510,139	S		9/2005	Gilad et al.		
D512,150	S	*	11/2005	Iddan et al.	.....	D24/186

**DESCRIPTION**

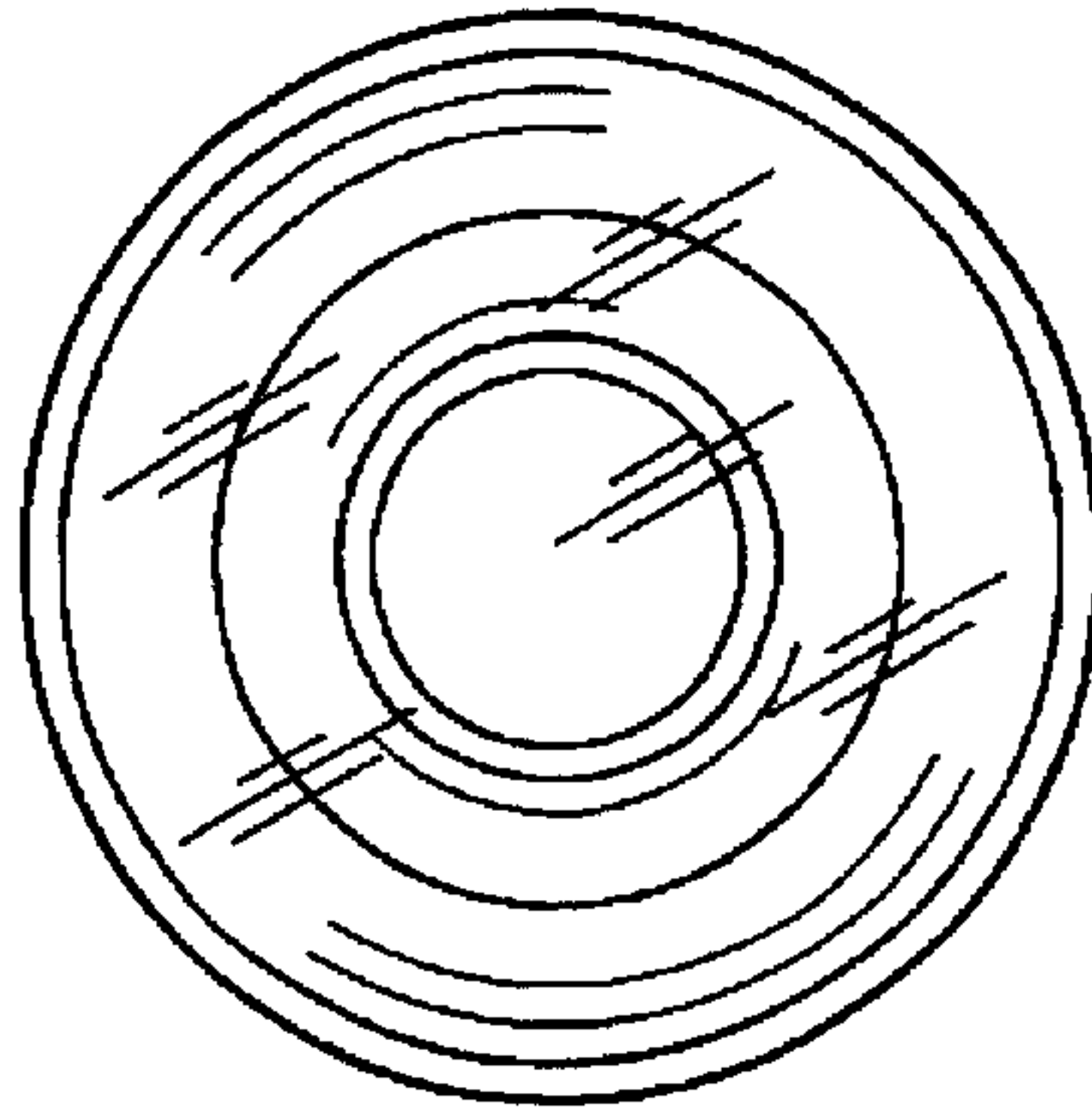
FIG. 1 is a perspective view of the imaging device; FIG. 2 is a front view of the imaging device shown in FIG. 1, the rear portion being identical; and, FIG. 3 is a side view of the imaging device shown in FIG. 1, the other side views being identical.

**1 Claim, 2 Drawing Sheets**

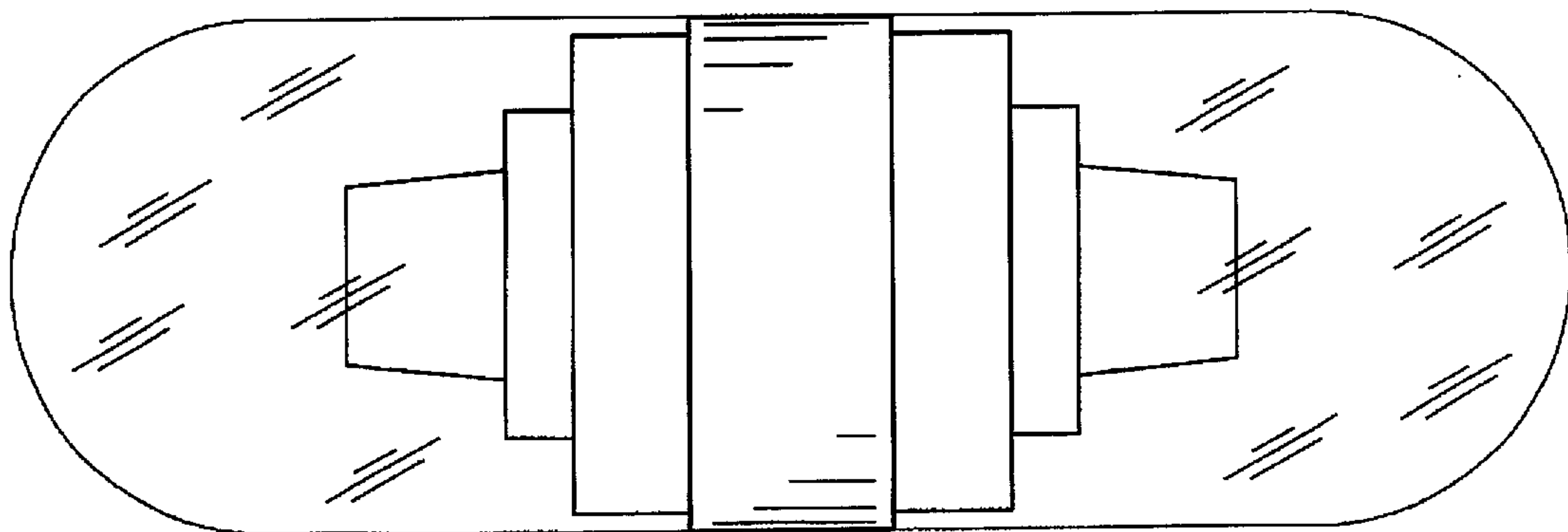




*FIG. 1*



*FIG. 2*



*FIG. 3*