



US00D543269S

(12) **United States Design Patent**
Lee

(10) **Patent No.:** **US D543,269 S**

(45) **Date of Patent:** **** May 22, 2007**

(54) **CEILING FAN**

D484,233 S * 12/2003 Bucher et al. D23/377
D514,690 S * 2/2006 Flores D23/411

(75) Inventor: **Emily M. Lee**, Monterey Park, CA
(US)

* cited by examiner

(73) Assignee: **Landmark Enterprise Inc.** (BN)

Primary Examiner—Lisa Lichtenstein
(74) *Attorney, Agent, or Firm*—Troxell Law Office, PLLC

(**) Term: **14 Years**

(57) **CLAIM**

(21) Appl. No.: **29/261,557**

I claim the ornamental design for a ceiling fan, as shown and described.

(22) Filed: **Jun. 16, 2006**

DESCRIPTION

(51) **LOC (8) Cl.** **23-04**

(52) **U.S. Cl.** **D23/377**

(58) **Field of Classification Search** D23/411,
D23/413, 377, 379, 385; 416/5

See application file for complete search history.

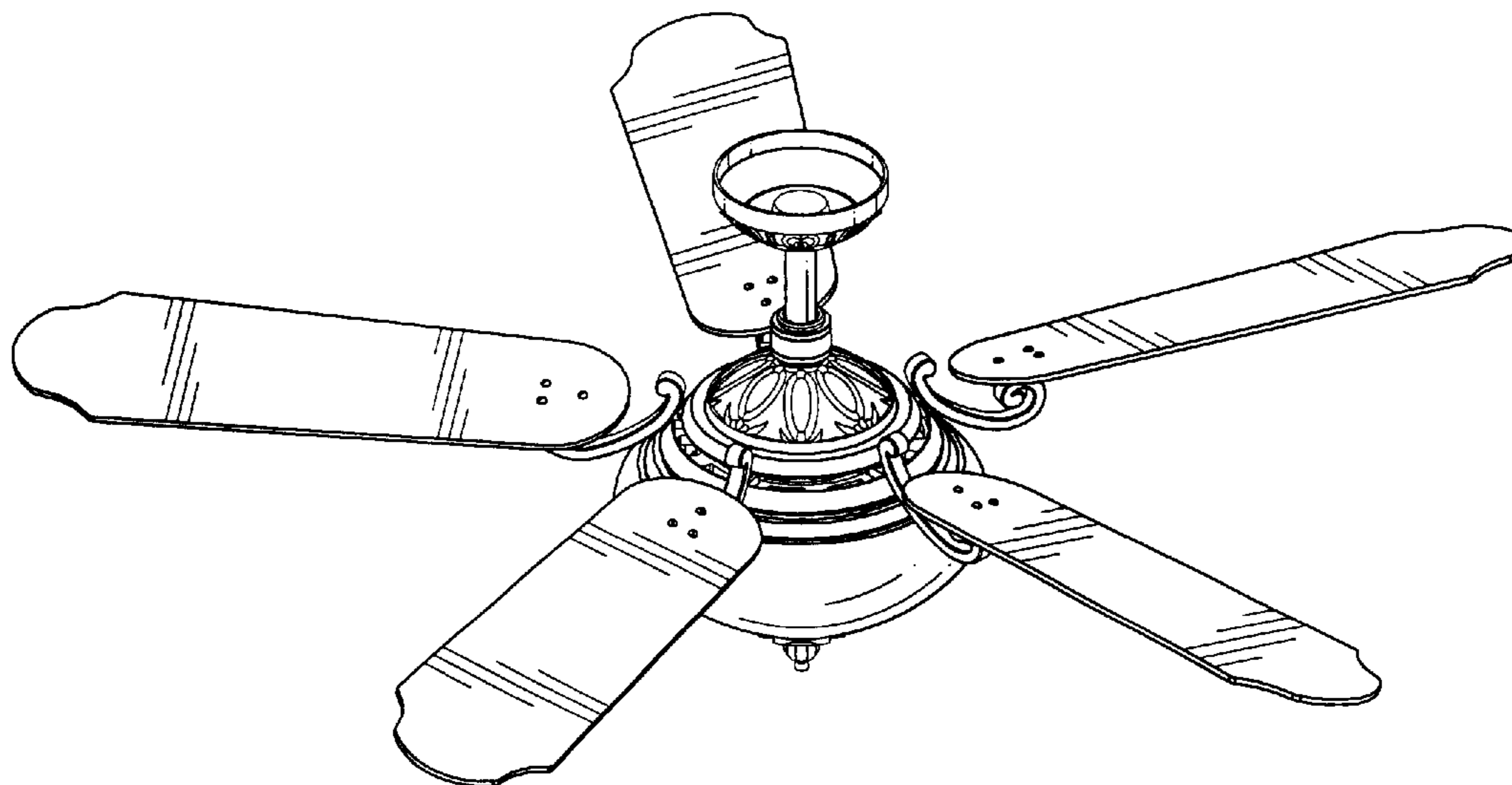
FIG. 1 is a front perspective view of a ceiling fan showing my new design;
FIG. 2 is a front elevational view thereof;
FIG. 3 is a rear elevational view thereof;
FIG. 4 is a left side elevational view thereof;
FIG. 5 is a right side elevational view thereof;
FIG. 6 is a top plan view thereof; and,
FIG. 7 is a bottom plan view thereof.

(56) **References Cited**

U.S. PATENT DOCUMENTS

D402,026 S * 12/1998 Chuang et al. D23/377
D476,410 S * 6/2003 Young D23/411

1 Claim, 5 Drawing Sheets



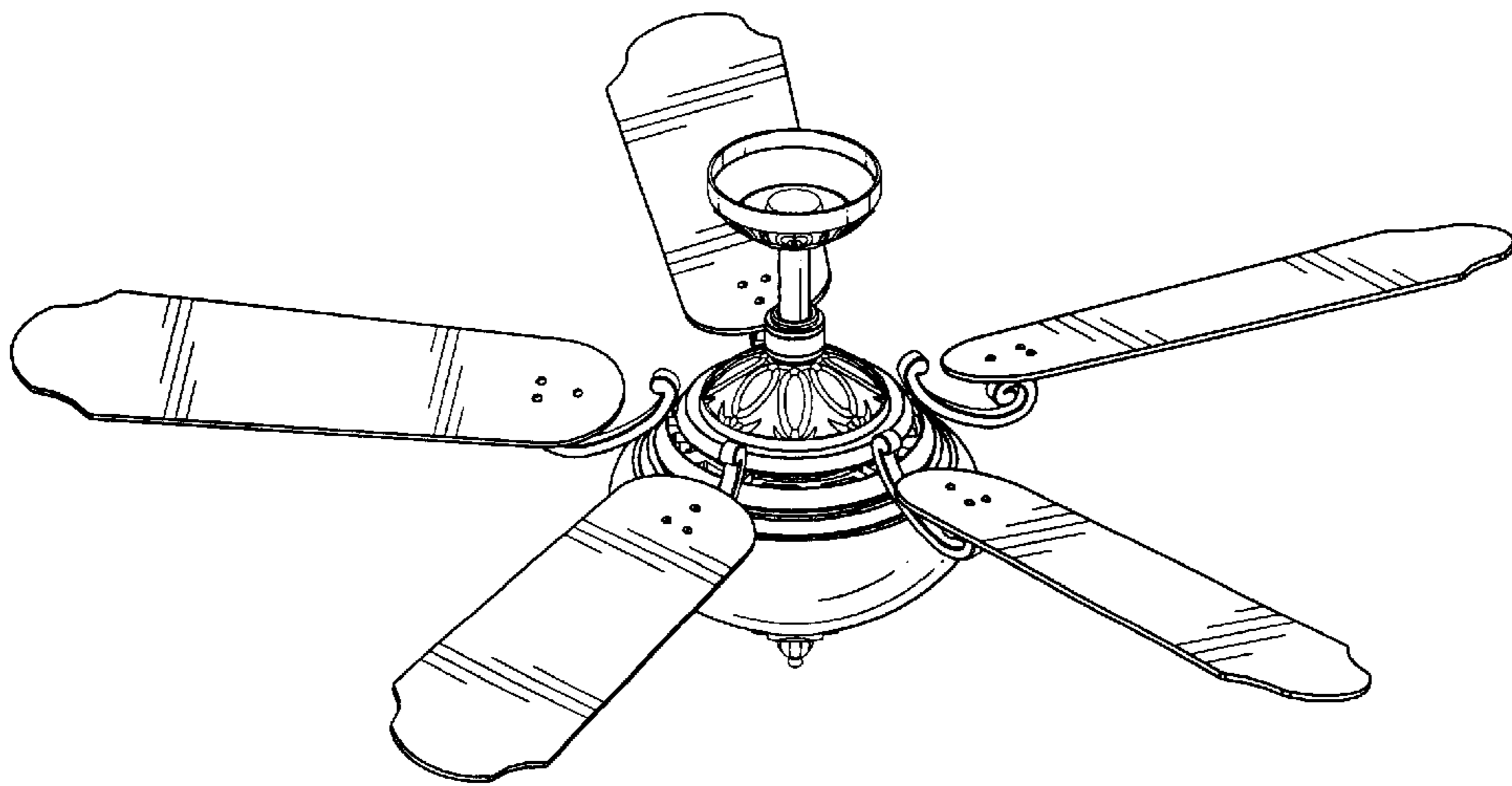


FIG. 1

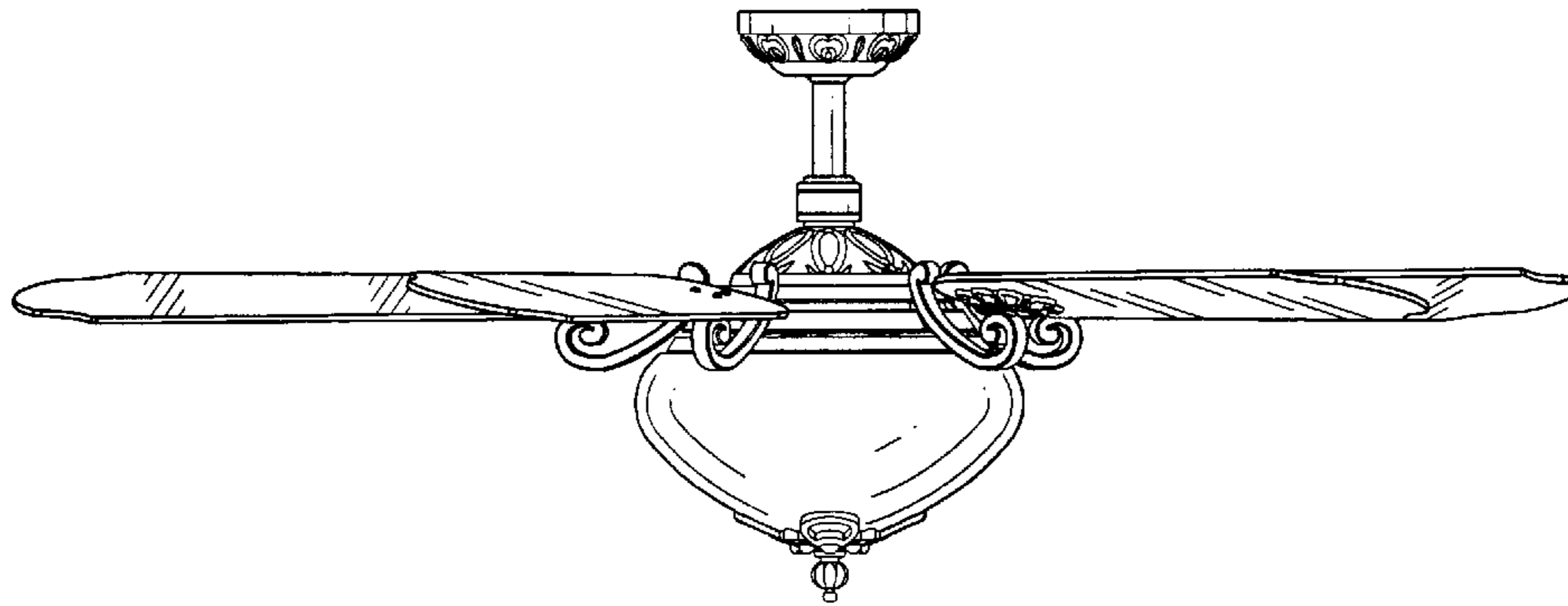


FIG. 2

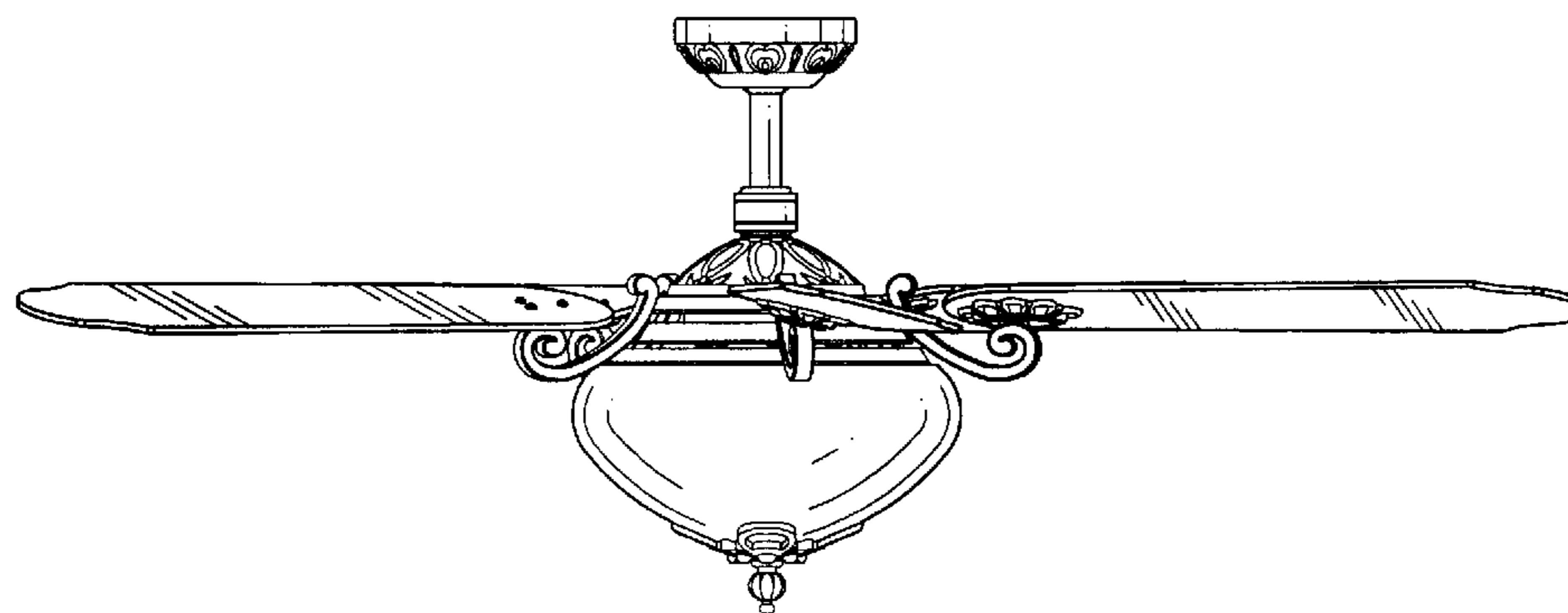


FIG. 3

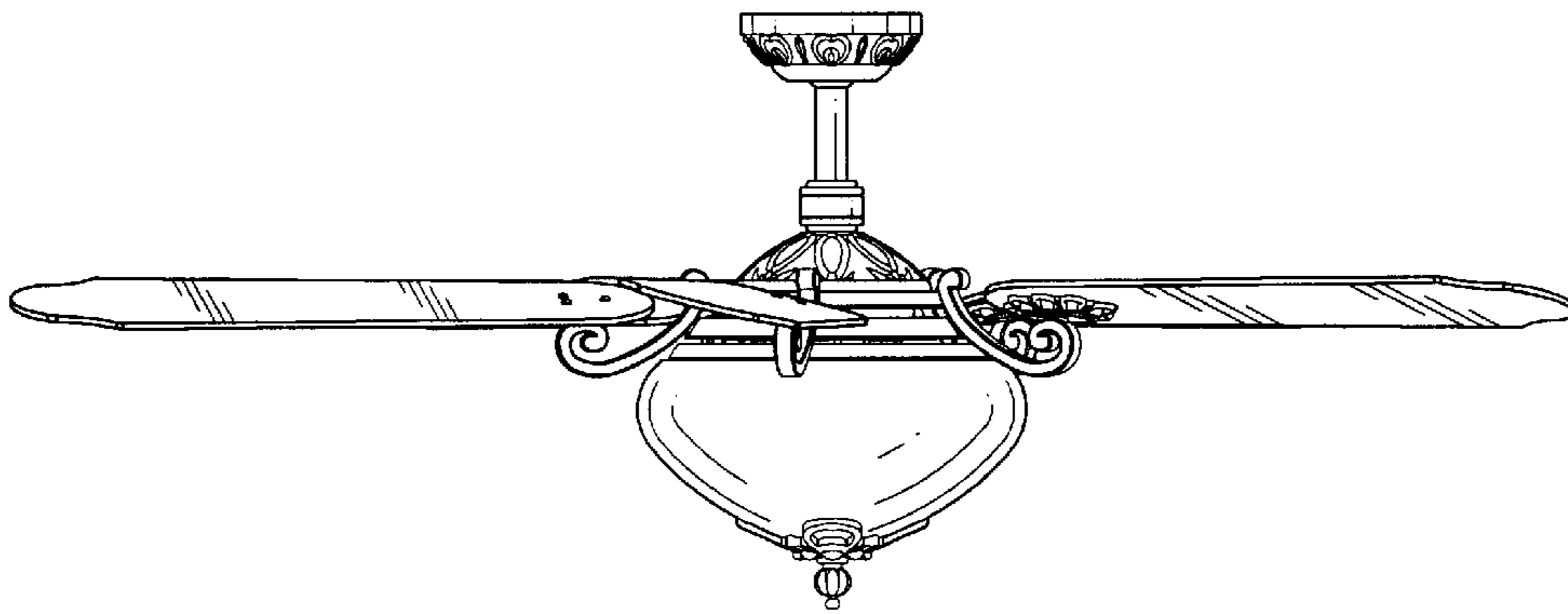


FIG. 4

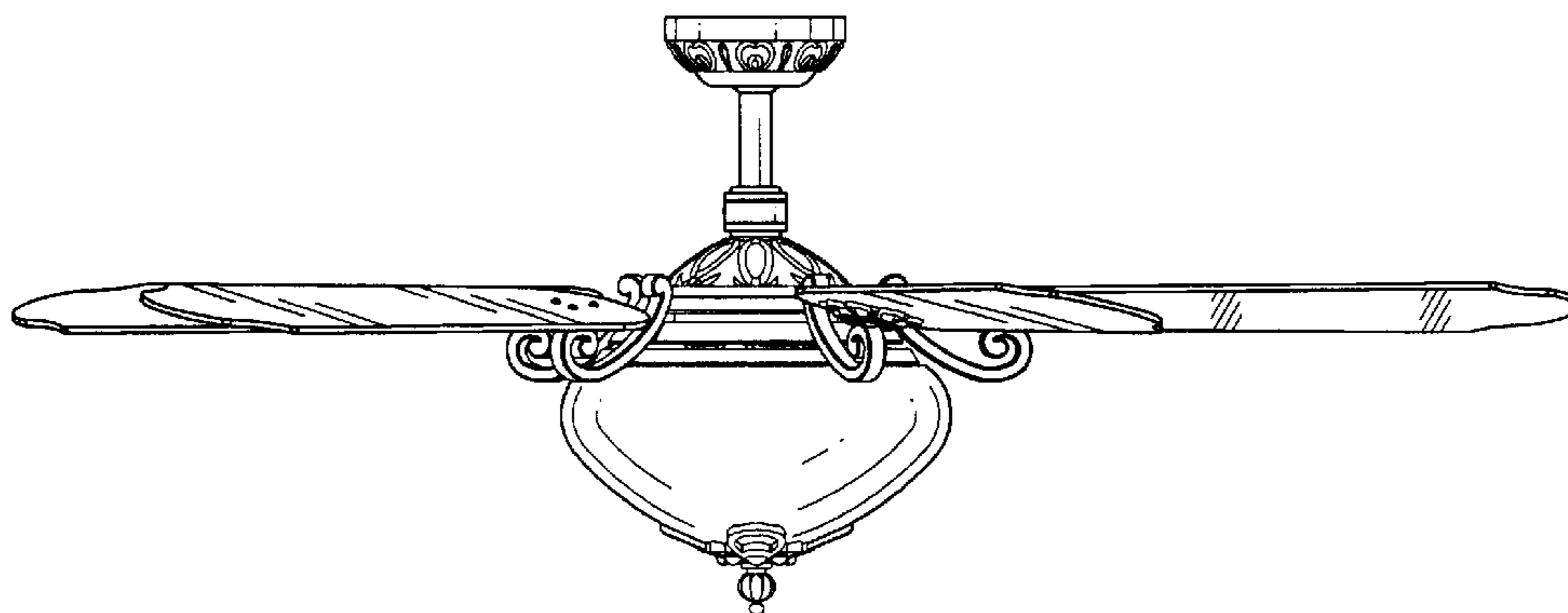


FIG. 5

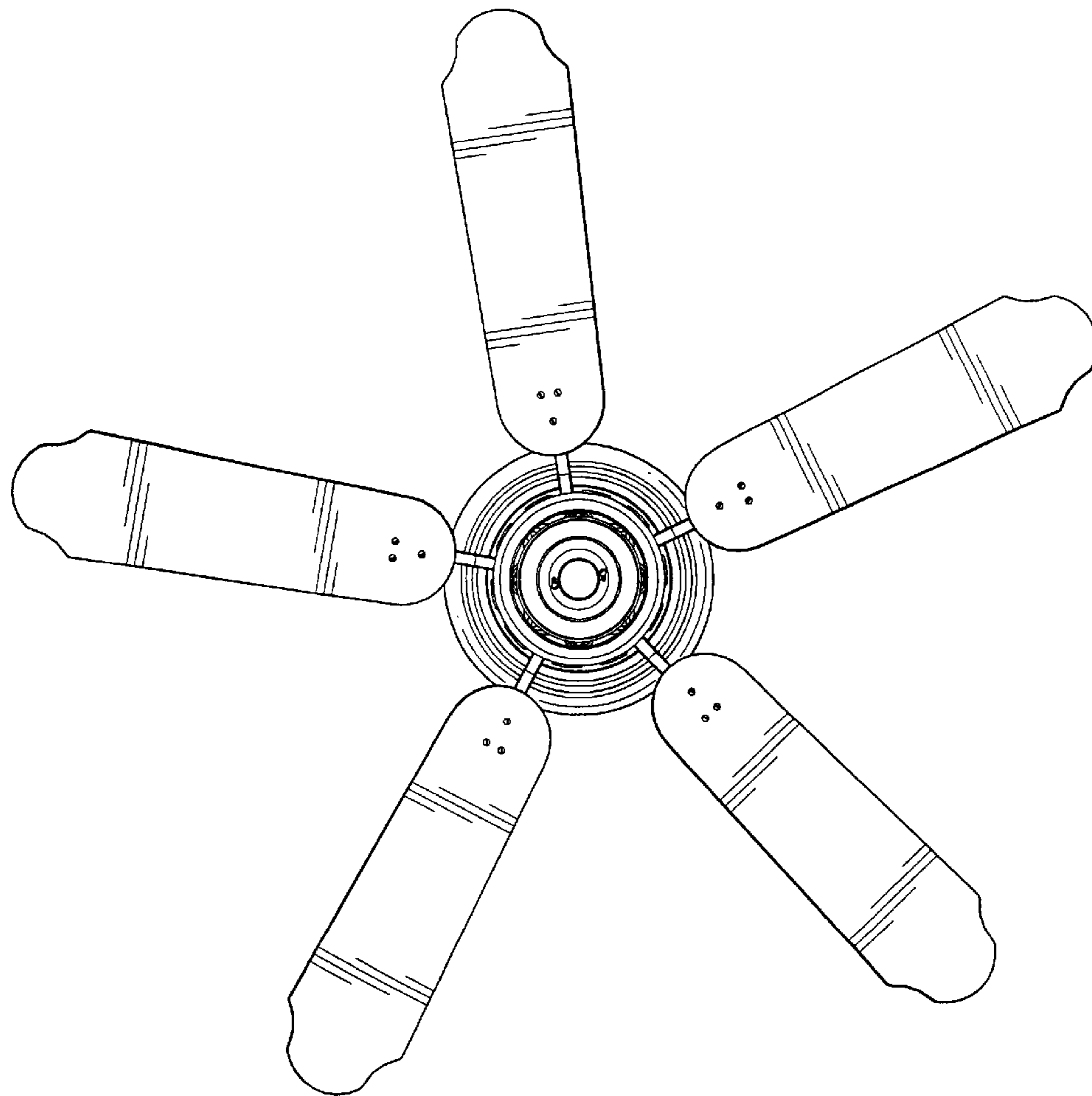


FIG. 6

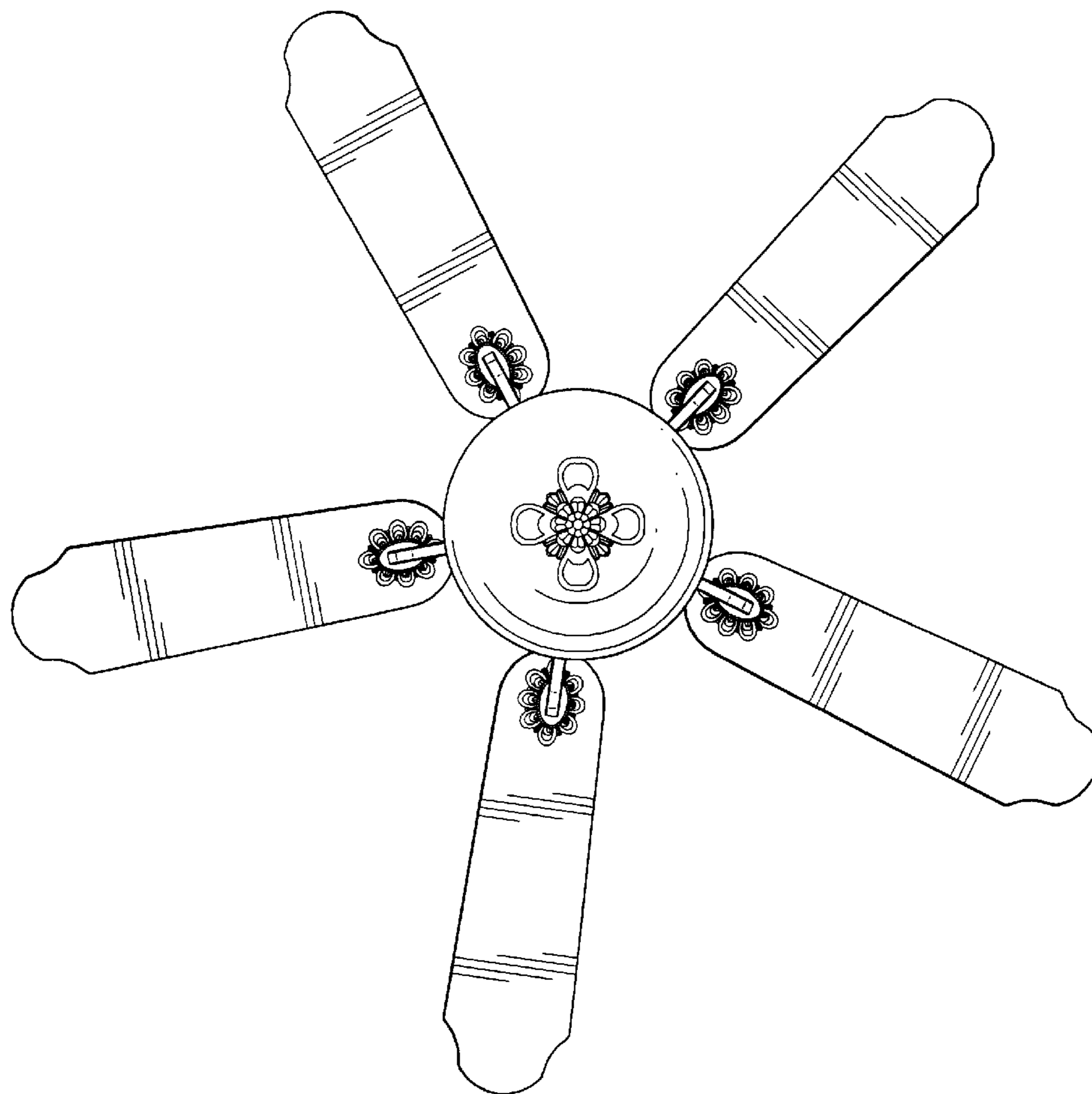


FIG. 7