



US00D543268S

(12) **United States Design Patent**  
**Ertze**

(10) **Patent No.:** **US D543,268 S**  
(45) **Date of Patent:** **\*\* May 22, 2007**

(54) **COMBINED CEILING FAN HOUSING AND LIGHT FIXTURE**

(75) Inventor: **Pablo J. Ertze**, Rancho Cucamonga, CA (US)

(73) Assignee: **Landmark Enterprise, Inc.**, Bander Seri Begawan (BN)

(\*\*) Term: **14 Years**

D478,381 S	8/2003	Tai	
D483,463 S	12/2003	Tai	
D483,464 S	12/2003	Tai	
D483,465 S	12/2003	Tai	
D483,847 S	12/2003	Tai	
D483,848 S	* 12/2003	Tai	..... D23/377
D483,849 S	12/2003	Tai	
D483,850 S	12/2003	Tai	
D484,588 S	12/2003	Tai	
D484,969 S	1/2004	Tai	

(Continued)

(21) Appl. No.: **29/260,526**

(22) Filed: **May 25, 2006**

(51) **LOC (8) Cl.** ..... **23-04**

(52) **U.S. Cl.** ..... **D23/377; D23/379; D23/385**

(58) **Field of Classification Search** ..... D23/411,  
D23/413, 377, 379, 385; 416/5; D26/59,  
D26/72, 81-88, 51

See application file for complete search history.

(56) **References Cited**

**U.S. PATENT DOCUMENTS**

5,508,484 A	4/1996	Chen	
D376,421 S	* 12/1996	Jaspers-Fayer	..... D23/377
D396,530 S	7/1998	Tai	
D404,808 S	1/1999	Tai	
D404,809 S	1/1999	Tai	
D405,878 S	2/1999	Tai	
D408,073 S	4/1999	Tai	
D408,074 S	4/1999	Tai	
D408,516 S	4/1999	Tai	
D409,297 S	5/1999	Tai	
6,059,531 A	5/2000	Tai	
6,135,618 A	10/2000	Tai	
6,259,025 B1	7/2001	Tai	
6,379,116 B1	4/2002	Tai	
D457,947 S	5/2002	Tai	
6,392,146 B1	5/2002	Tai	
D458,675 S	6/2002	Tai	

*Primary Examiner*—Lisa Lichtenstein

(74) *Attorney, Agent, or Firm*—Morrison & Foerster LLP

(57) **CLAIM**

The ornamental design for a combined ceiling fan housing and light fixture, as shown and described.

**DESCRIPTION**

FIG. 1 is a perspective view of a combined ceiling fan housing and light fixture constructed in accordance with the present invention, the ceiling fan illustrates an environment for said fan housing and light;

FIG. 2 is an enlarged perspective view of a fan housing and light in accordance with the present invention;

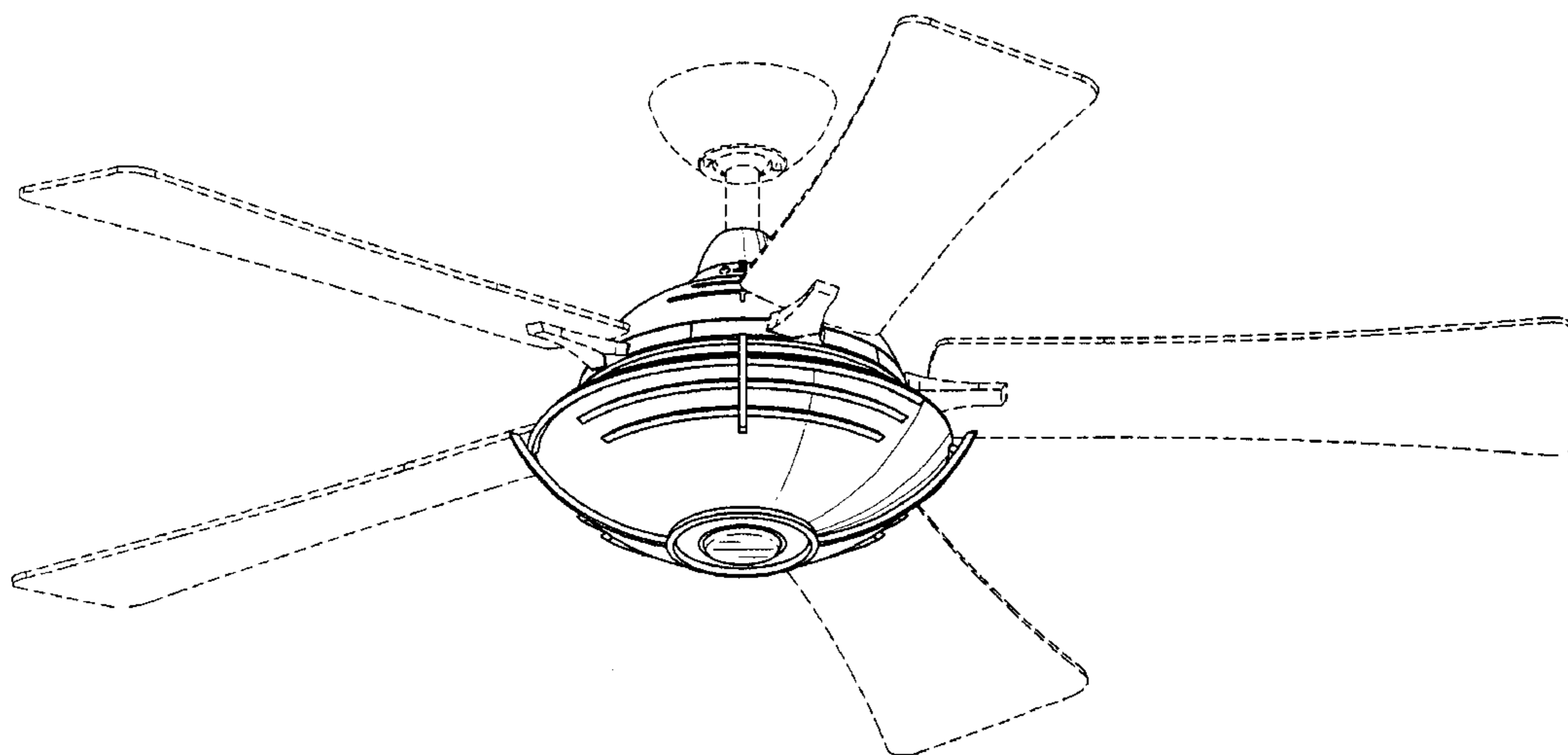
FIG. 3 is another enlarged perspective view of the fan housing and light in accordance with the present invention; FIG. 4 is an enlarged top view of the fan housing and light in accordance with the present invention;

FIG. 5 is an enlarged bottom view of the fan housing and light in accordance with the present invention; and,

FIG. 6 is an enlarged view of the fan housing and light in accordance with the present invention, the side views and the rear view being substantially the same.

The broken line showing of a ceiling fan is included for the purpose of illustrating environmental structure and forms no part of the claimed design.

**1 Claim, 4 Drawing Sheets**



# US D543,268 S

Page 2

---

## U.S. PATENT DOCUMENTS

D485,344 S	1/2004	Tai	D503,474 S	3/2005	Tai
D485,609 S	1/2004	Tai	D503,475 S	3/2005	Tai
D485,611 S	1/2004	Tai	D503,476 S	3/2005	Tai
D485,897 S	1/2004	Tai	D503,795 S	4/2005	Tai
D490,888 S	6/2004	Tai	D504,173 S	4/2005	Tai
D494,705 S	8/2004	Tai	D505,197 S	5/2005	Tai
D501,578 S	2/2005	Tai	D505,724 S	5/2005	Tai
D503,472 S	3/2005	Tai	D507,644 S	7/2005	Tai
D503,473 S	3/2005	Tai	D507,830 S	7/2005	Pan

\* cited by examiner

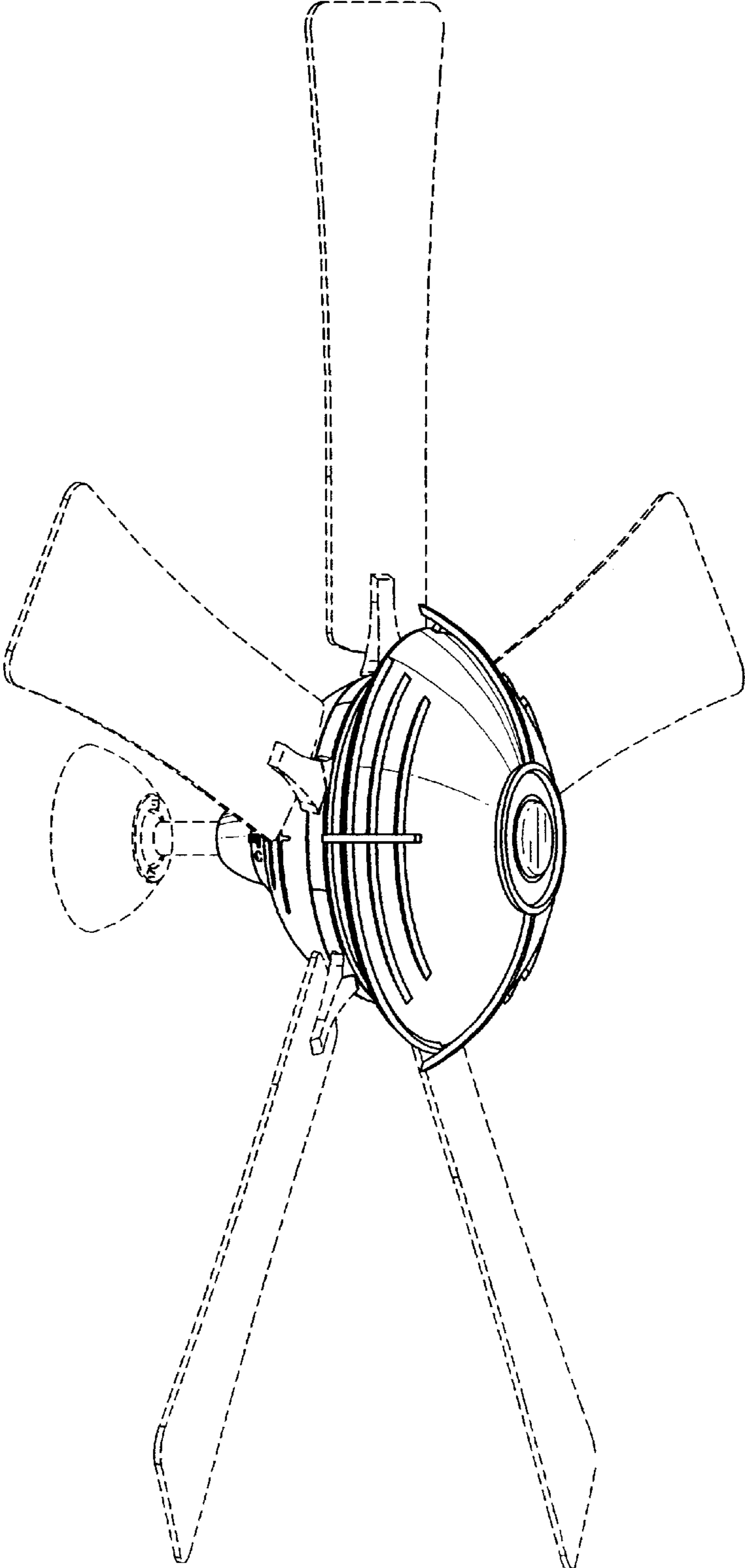


FIG. 1

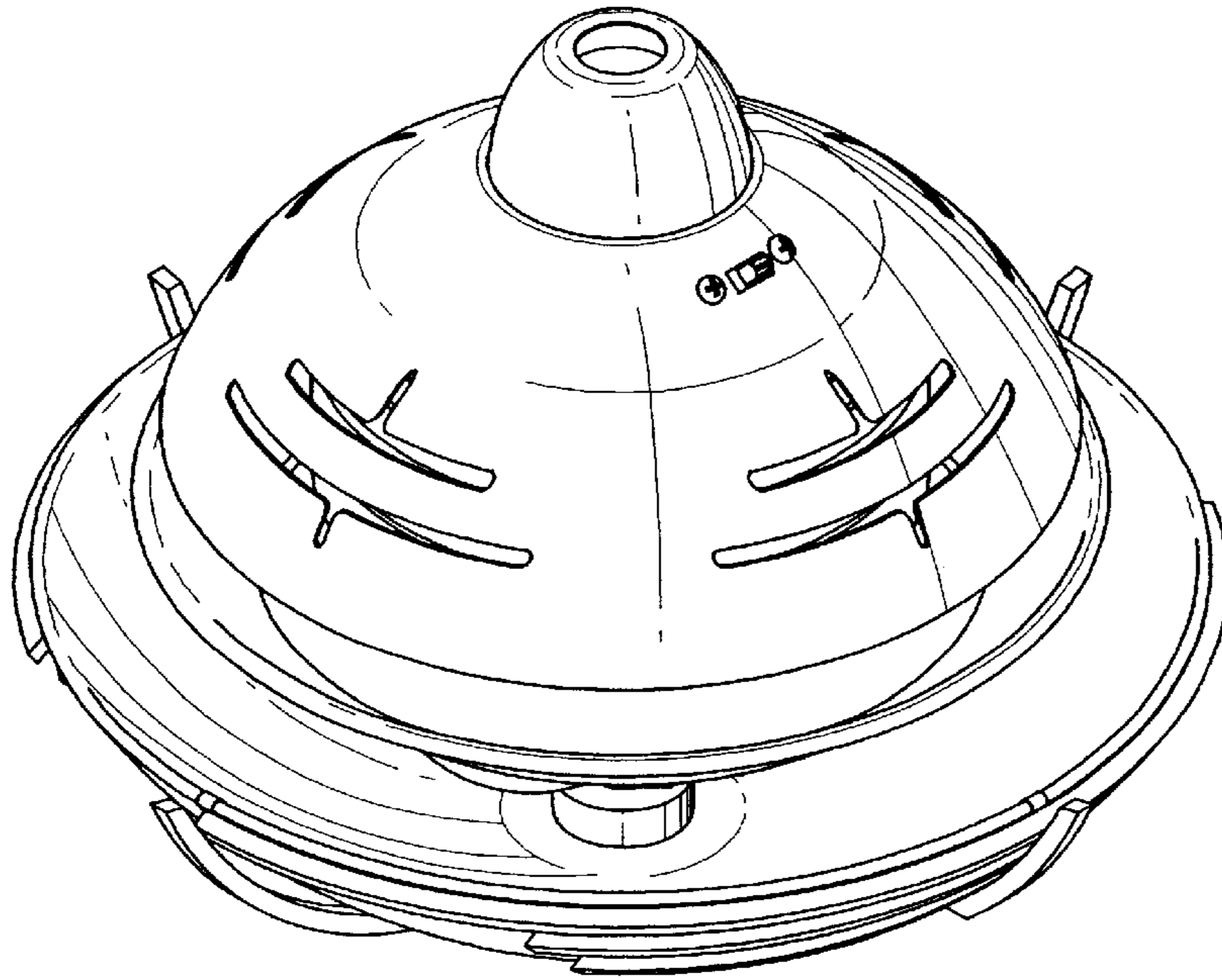


FIG. 2

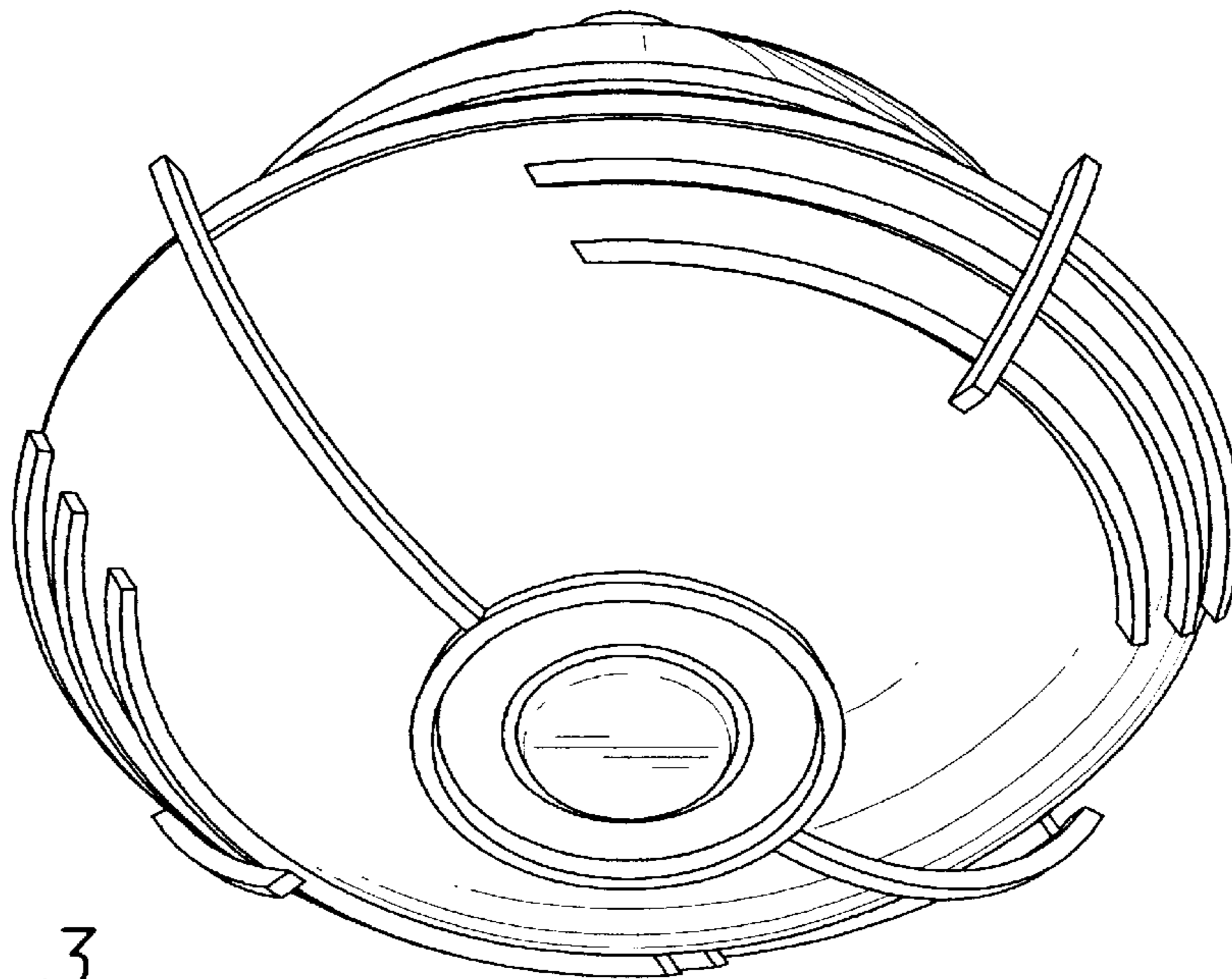


FIG. 3

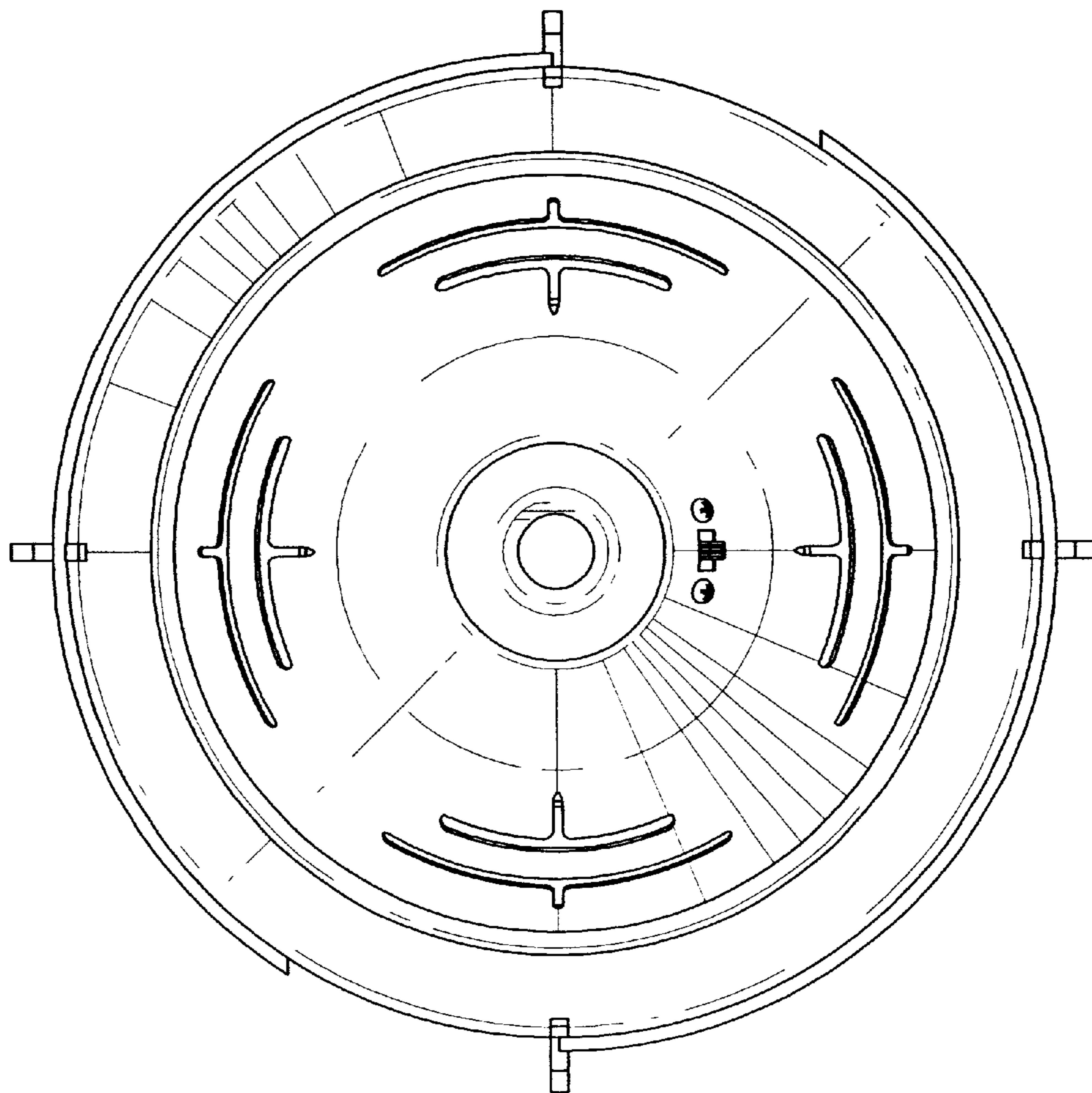


FIG. 4

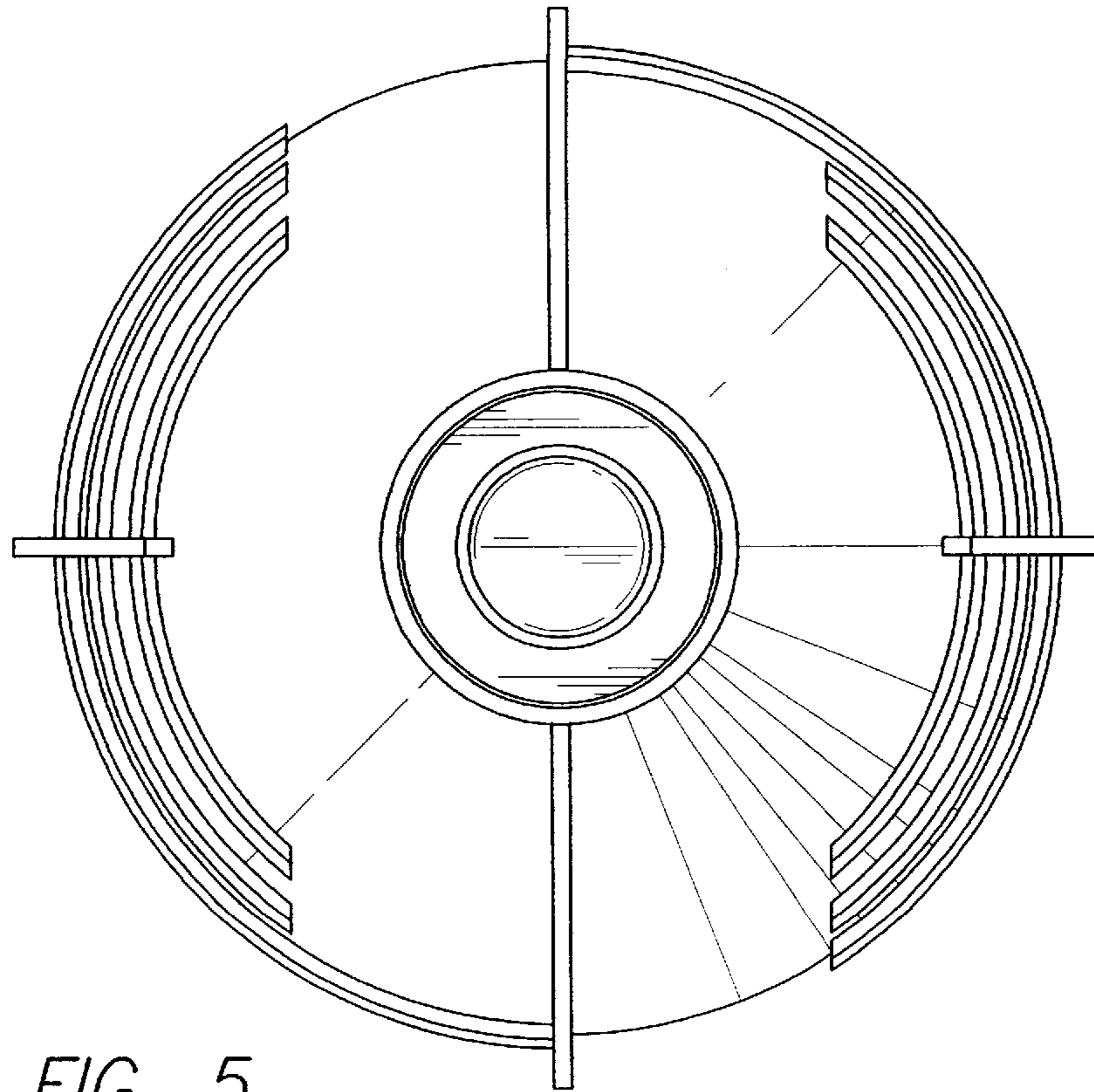


FIG. 5

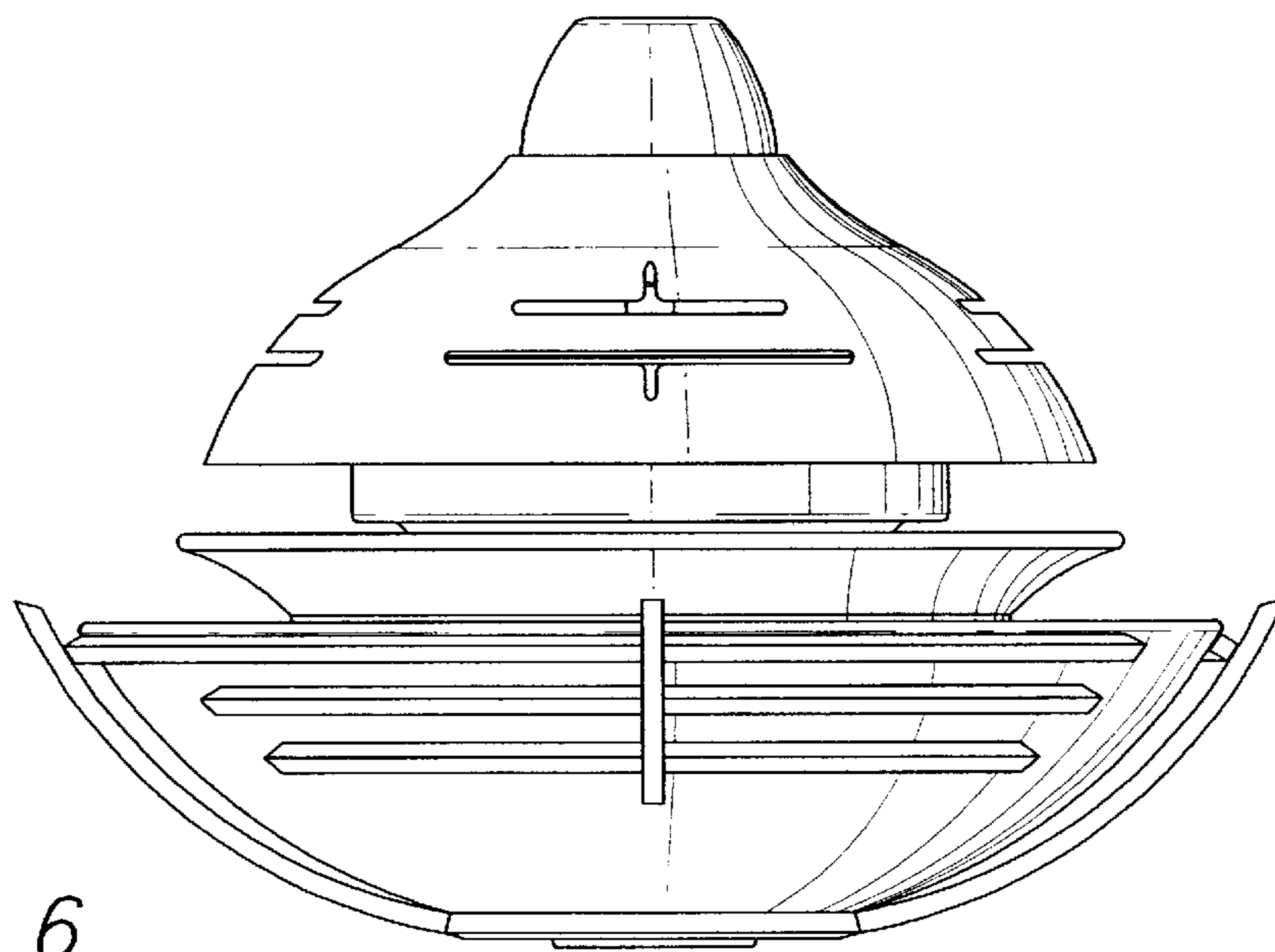


FIG. 6