



US00D543266S

(12) **United States Design Patent**  
**Chen**

(10) **Patent No.:** **US D543,266 S**

(45) **Date of Patent:** **\*\* May 22, 2007**

(54) **DESKTOP AIR PURIFIER**

D521,135 S \* 5/2006 Kita ..... D23/364

(75) Inventor: **Yaogang Chen, Xi'an (CN)**

\* cited by examiner

(73) Assignee: **Xi'an Kong Hong Information  
Technology Co., Ltd., Xi'an (CN)**

*Primary Examiner*—Robin Webster

(74) *Attorney, Agent, or Firm*—Hamre, Schumann, Mueller  
& Larson, P.C.

(\*\*) Term: **14 Years**

(57) **CLAIM**

(21) Appl. No.: **29/251,250**

The ornamental design for a “desktop air purifier,” as shown  
and described.

(22) Filed: **Jan. 5, 2006**

**DESCRIPTION**

(51) **LOC (8) Cl.** ..... **23-04**

(52) **U.S. Cl.** ..... **D23/364**

(58) **Field of Classification Search** ..... D23/364,  
D23/365, 355; 55/471–2, 467

See application file for complete search history.

FIG. 1 is a rear, top and right side perspective view of a  
desktop air purifier showing my new design;  
FIG. 2 is a front elevational view thereof;  
FIG. 3 is a rear elevational view thereof;  
FIG. 4 is a left side elevational view thereof;  
FIG. 5 is a right side elevational view thereof;  
FIG. 6 is a top plan view thereof; and,  
FIG. 7 is a bottom plan view thereof.

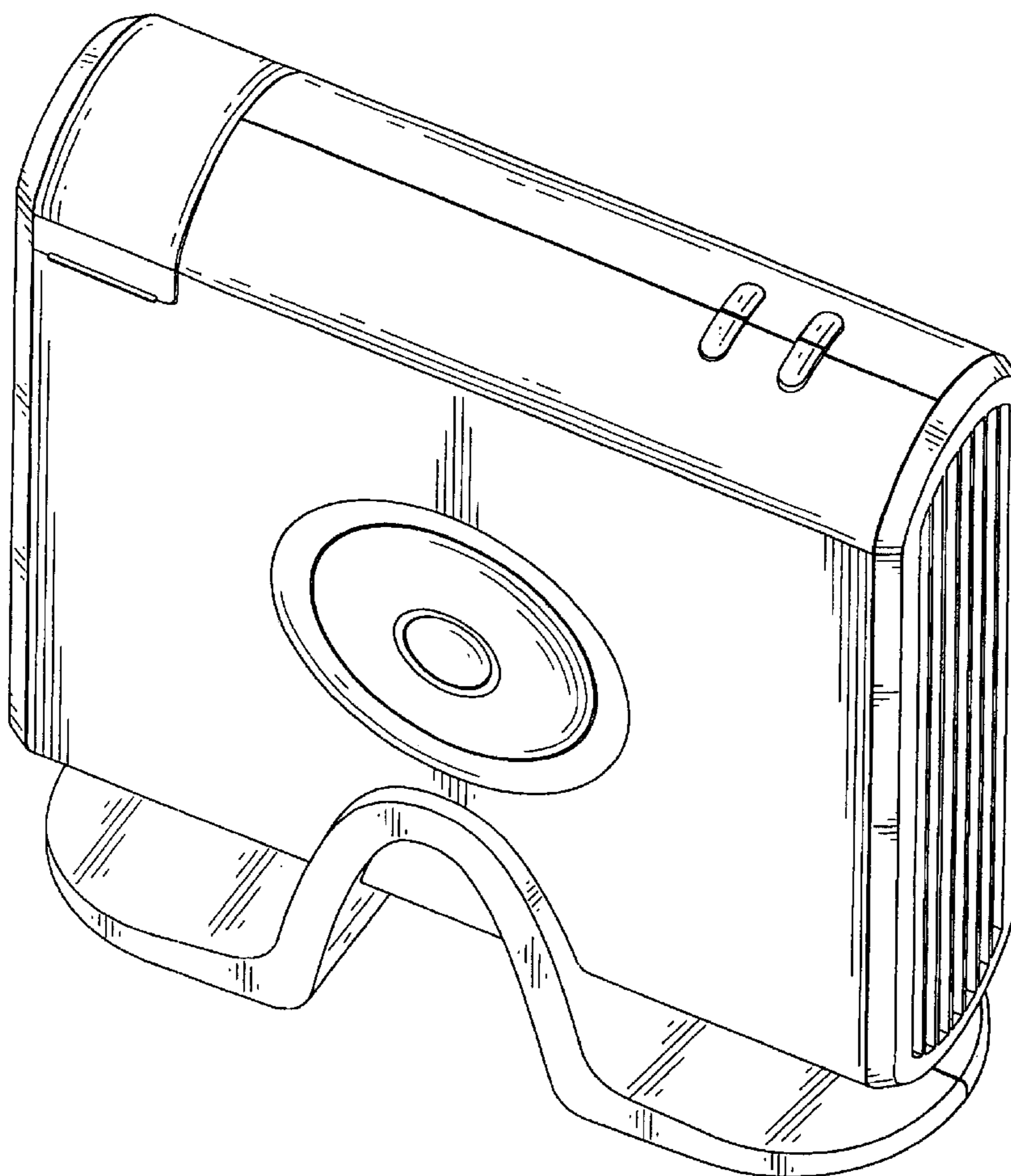
(56) **References Cited**

**U.S. PATENT DOCUMENTS**

D388,510 S \* 12/1997 Rick et al. .... D23/355

D513,432 S \* 1/2006 Nakamura ..... D23/364

**1 Claim, 7 Drawing Sheets**



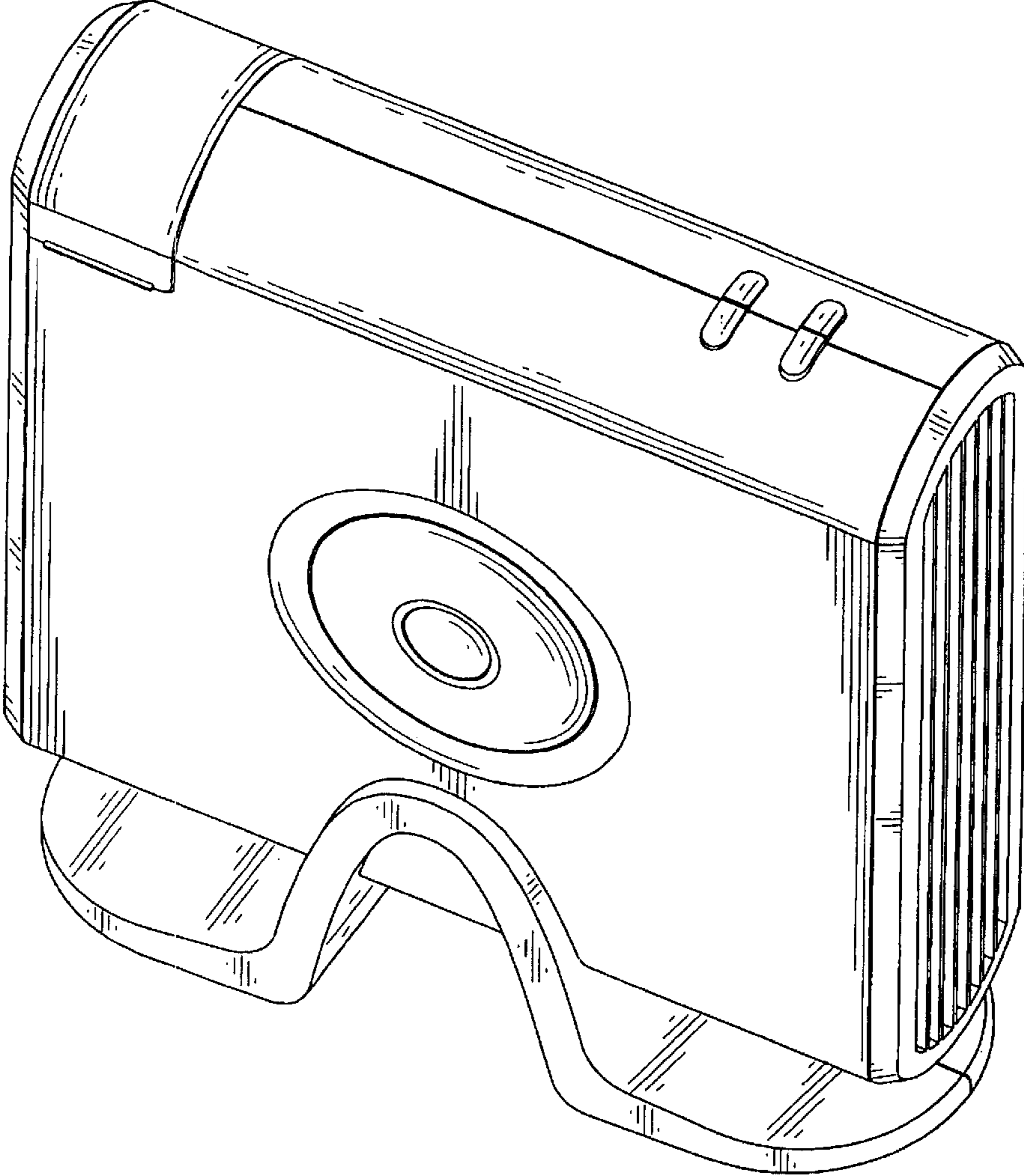


FIG. 1

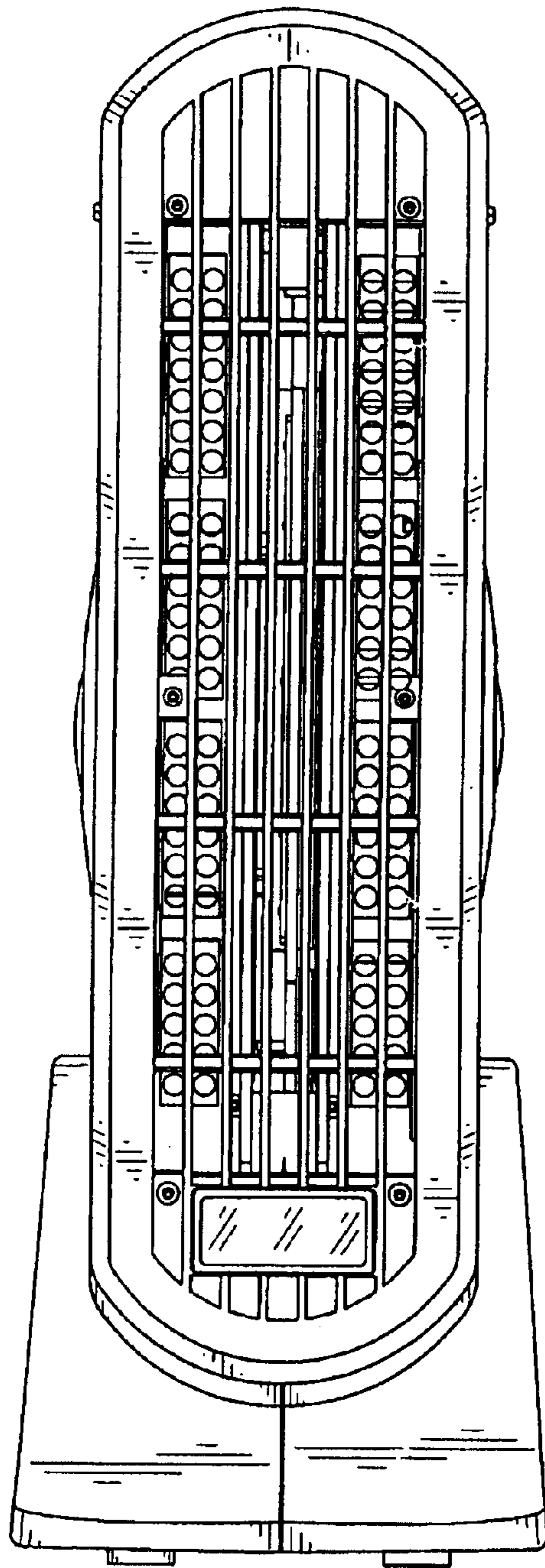


FIG. 2

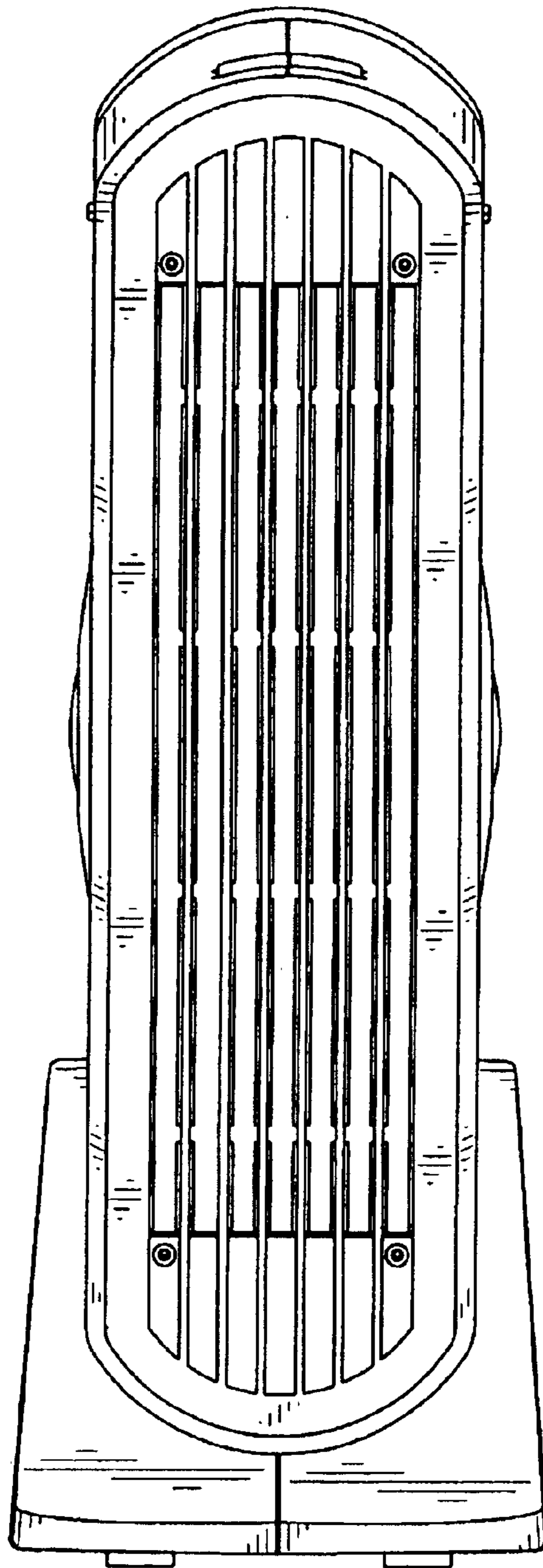


FIG. 3

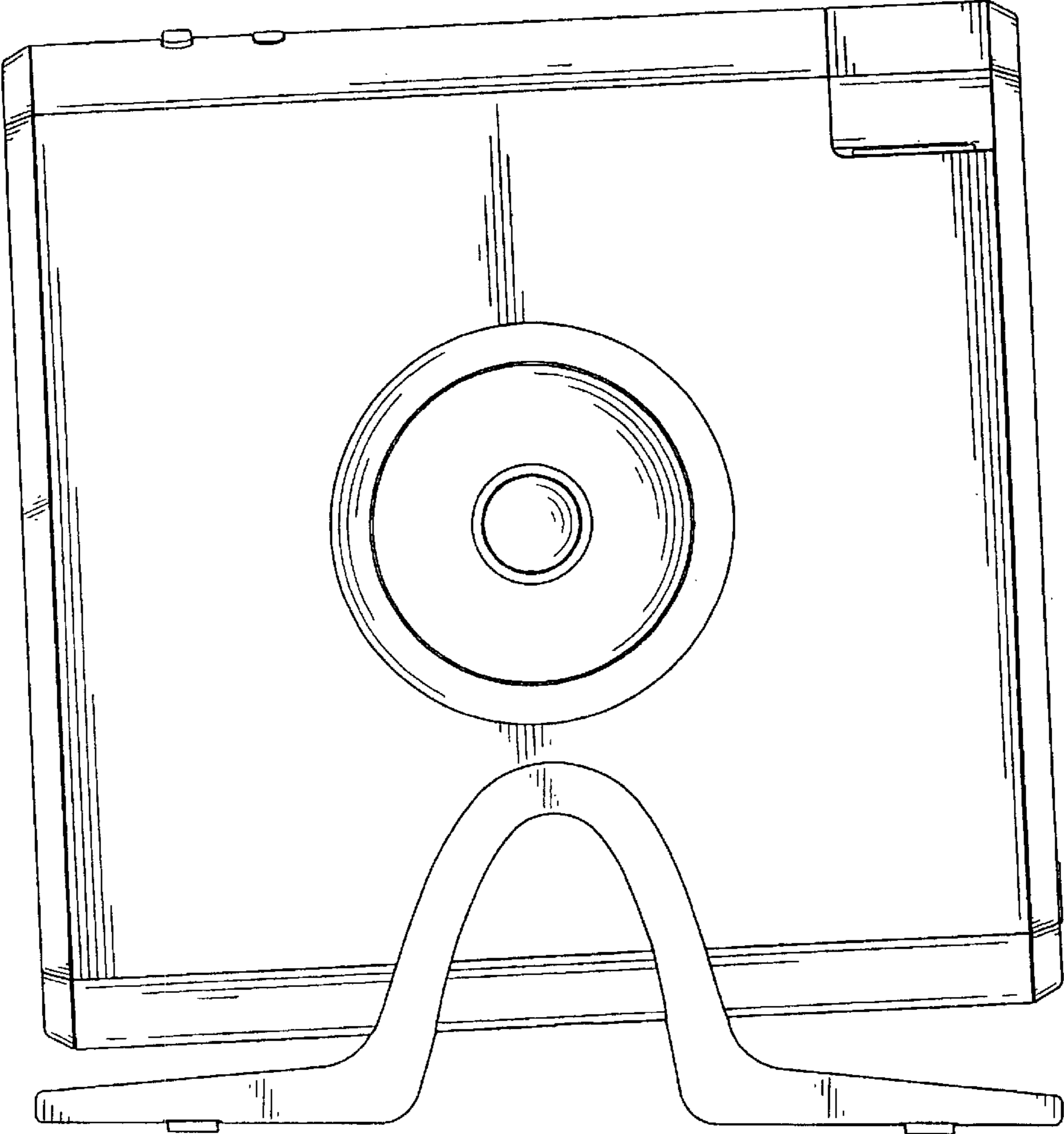


FIG. 4

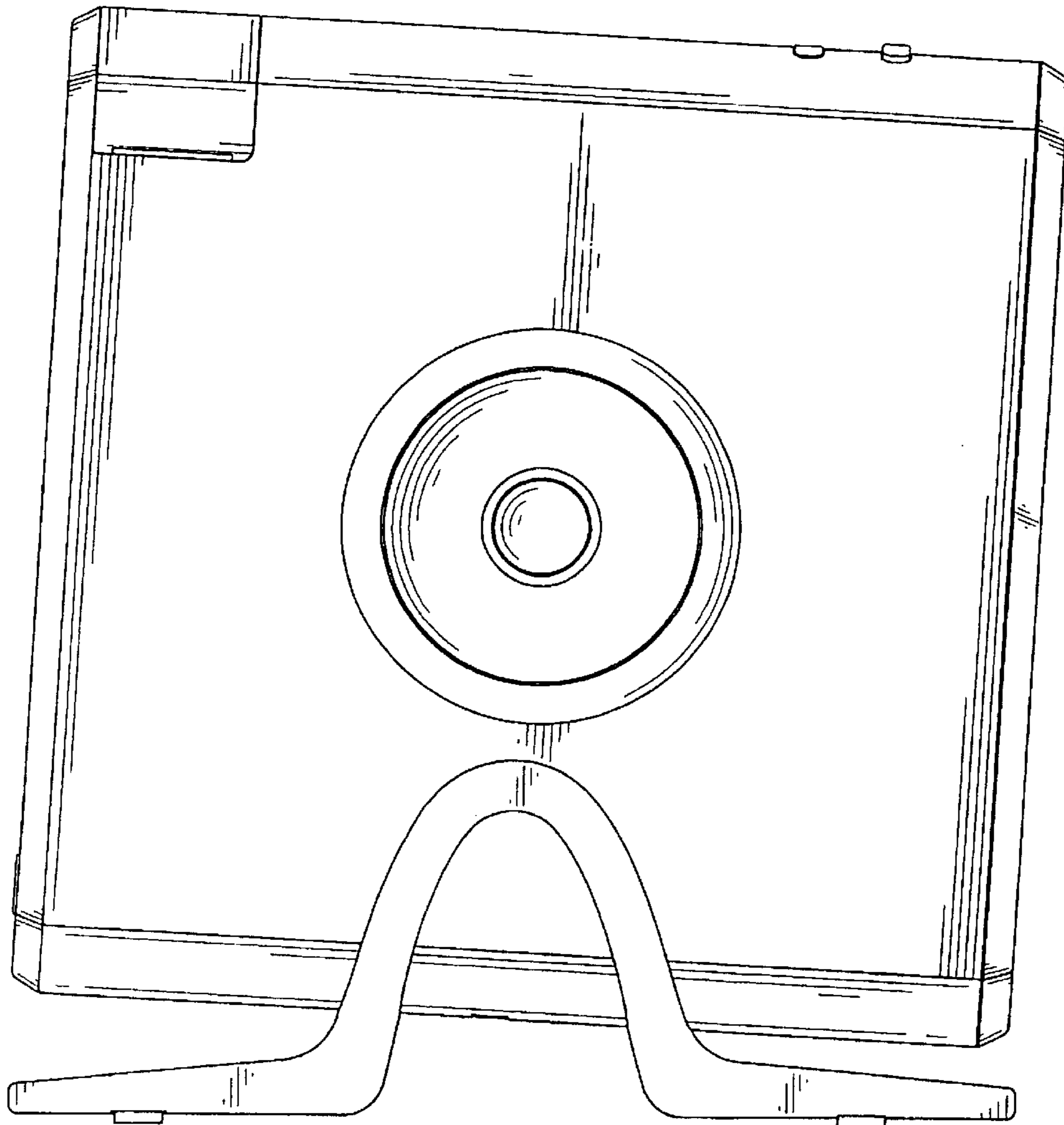


FIG. 5

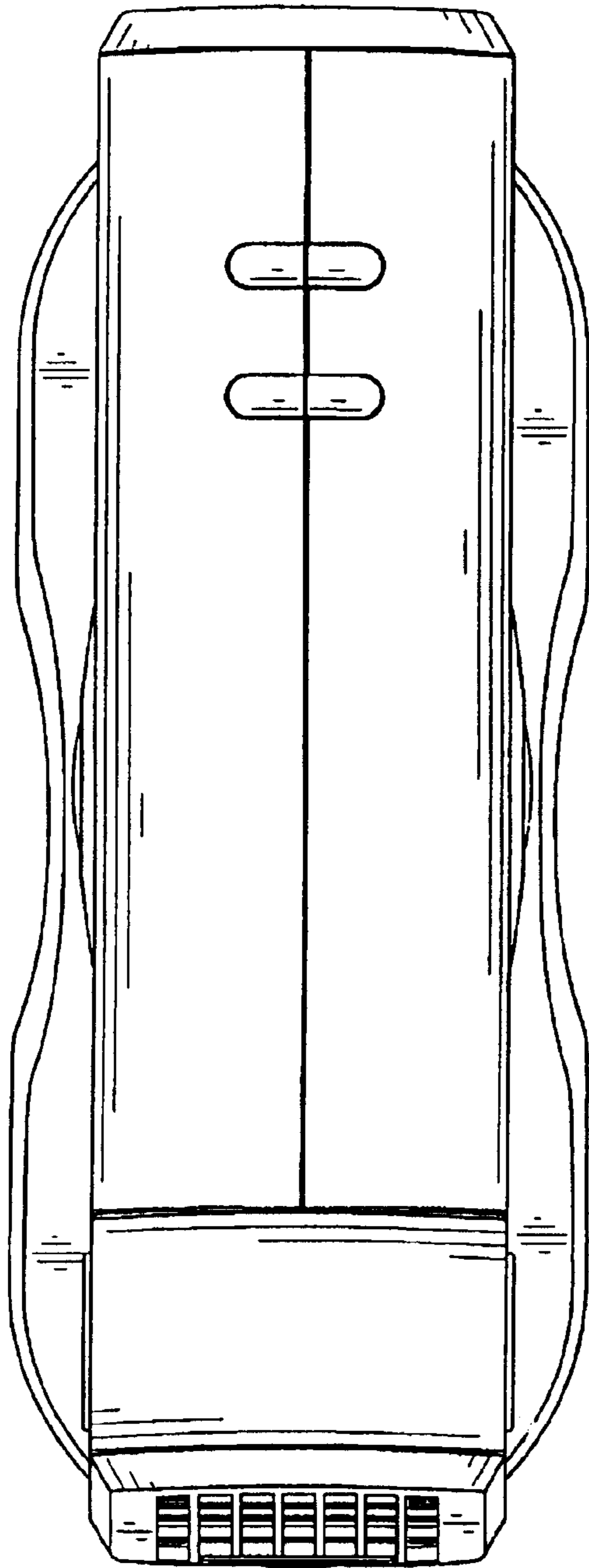


FIG. 6

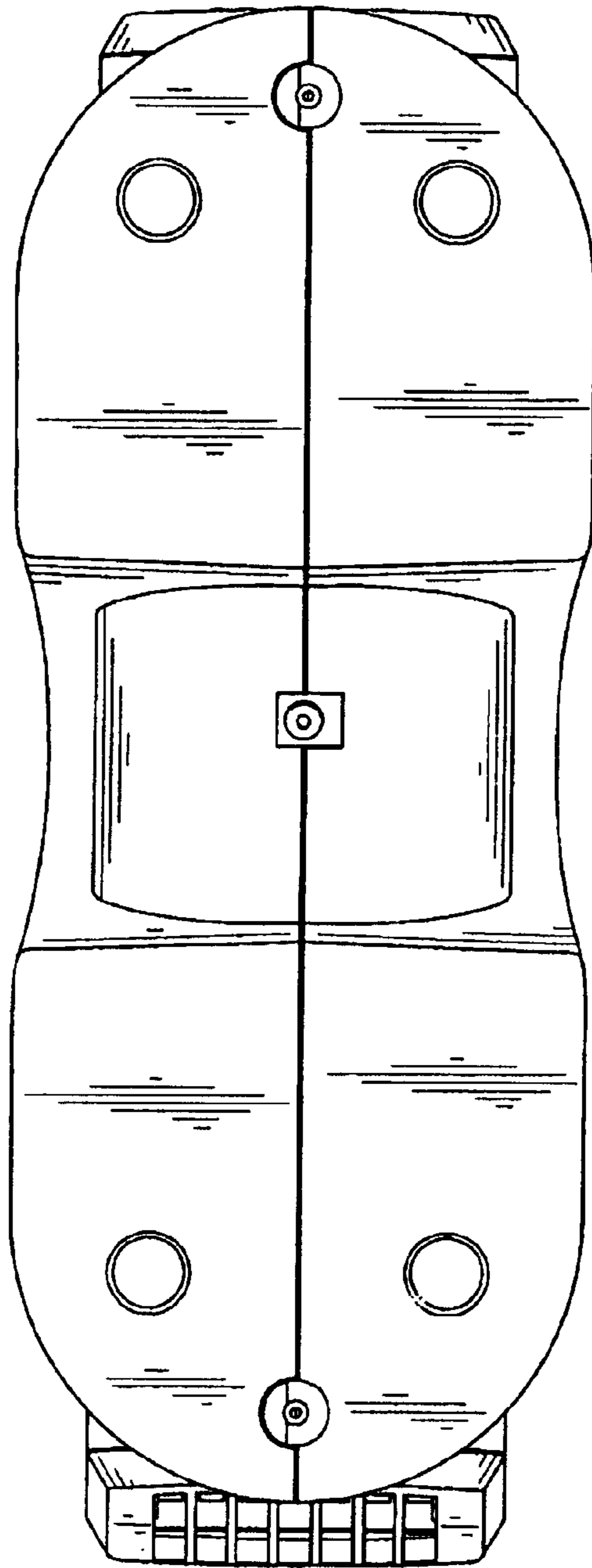


FIG. 7