

US00D543262S

(12) **United States Design Patent** (10) **Patent No.:** **US D543,262 S**
Dolan (45) **Date of Patent:** **** May 22, 2007**

(54) **PEDESTAL LAVATORY**

(76) Inventor: **Patrick S. Dolan**, 2700 NW. Front Ave., Portland, OR (US) 97210

(**) Term: **14 Years**

(21) Appl. No.: **29/264,415**

(22) Filed: **Aug. 8, 2006**

(51) **LOC (8) Cl.** **23-02**

(52) **U.S. Cl.** **D23/292**

(58) **Field of Classification Search** D23/201,
D23/284, 292, 293.1, 303, 308; 4/619, 624,
4/643, 646, 661

See application file for complete search history.

(56) **References Cited**

U.S. PATENT DOCUMENTS

712,834 A	11/1902	Moore	
D41,842 S	10/1911	Gavin	
D45,283 S	2/1914	Allen	
D76,918 S	11/1928	Crane	
D77,877 S	3/1929	Brain	
D82,116 S	9/1930	Steele	
D88,713 S	12/1932	Kohler et al.	
D101,446 S	5/1936	Dreyfuss et al.	
D320,437 S	10/1991	McKeone	
D321,754 S	11/1991	Reid	
D367,523 S	2/1996	Chen	
D370,967 S	6/1996	Kaiser	
D380,040 S	6/1997	Kohler, Jr. et al.	
D387,857 S	* 12/1997	McKeone D23/284
D396,271 S	7/1998	Garza	
D397,415 S	8/1998	McKeone	
D407,470 S	3/1999	McKeone	
D414,549 S	9/1999	Kawamura	
D415,827 S	10/1999	McKeone	
D422,347 S	* 4/2000	Kawamura D23/292
D470,928 S	2/2003	Kawamura et al.	
D472,617 S	4/2003	Lanius	
D479,587 S	9/2003	Smith	
D500,843 S	1/2005	Takou	
D523,125 S	6/2006	Barry	
D523,181 S	6/2006	Mayer	

OTHER PUBLICATIONS

Co-pending U.S. Appl. No. 29/264,404, filed Nov. 8, 2006, Patrick S. Dolan.

Co-pending U.S. Appl. No. 29/264,405, filed Nov. 8, 2006, Patrick S. Dolan.

Co-pending U.S. Appl. No. 29/264,426, filed Nov. 8, 2006, Patrick S. Dolan.

Co-pending U.S. Appl. No. 29/264,416, filed Nov. 8, 2006, Patrick S. Dolan.

Co-pending U.S. Appl. No. 29/264,406, filed Nov. 8, 2006, Patrick S. Dolan.

Co-pending U.S. Appl. No. 29/264,413, filed Nov. 8, 2006, Patrick S. Dolan.

Kallista (Kohler) Kohler, WI, Model P72030.00.8W, As on website: www.homeportfolio.com, Jun. 16, 2006.

Kohler, Kohler, WI, Model K12181, As on website: www-faucet.com, Jun. 16, 2006.

* cited by examiner

Primary Examiner—Robert A. Delehanty

(57) **CLAIM**

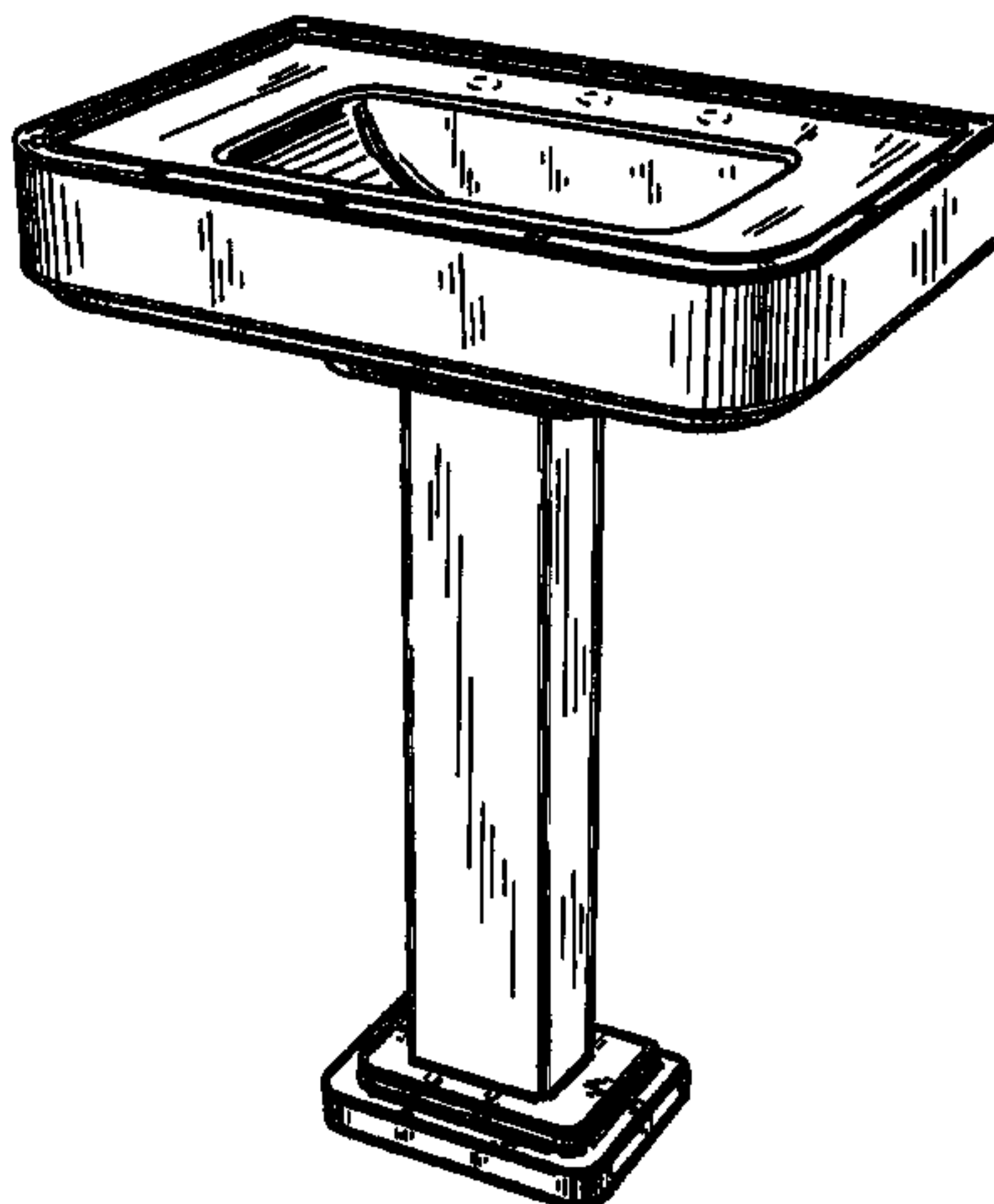
The ornamental design for a pedestal lavatory, as shown and described.

DESCRIPTION

FIG. 1 is a perspective view thereof;
 FIG. 2 is a front elevational view thereof;
 FIG. 3 is a right side view, the left side view being a mirror image;
 FIG. 4 is a back plan view thereof;
 FIG. 5 is a top plan view thereof;
 FIG. 6 is a bottom plan view thereof;
 FIG. 7 is a cross-sectional view taken along Line 7—7 of FIG. 5; and,
 FIG. 8 is a cross-sectional view taken along Line 8—8 of FIG. 5.

The broken line showing of environmental structure is for illustrative purposes only and forms no part of the claimed design.

1 Claim, 8 Drawing Sheets



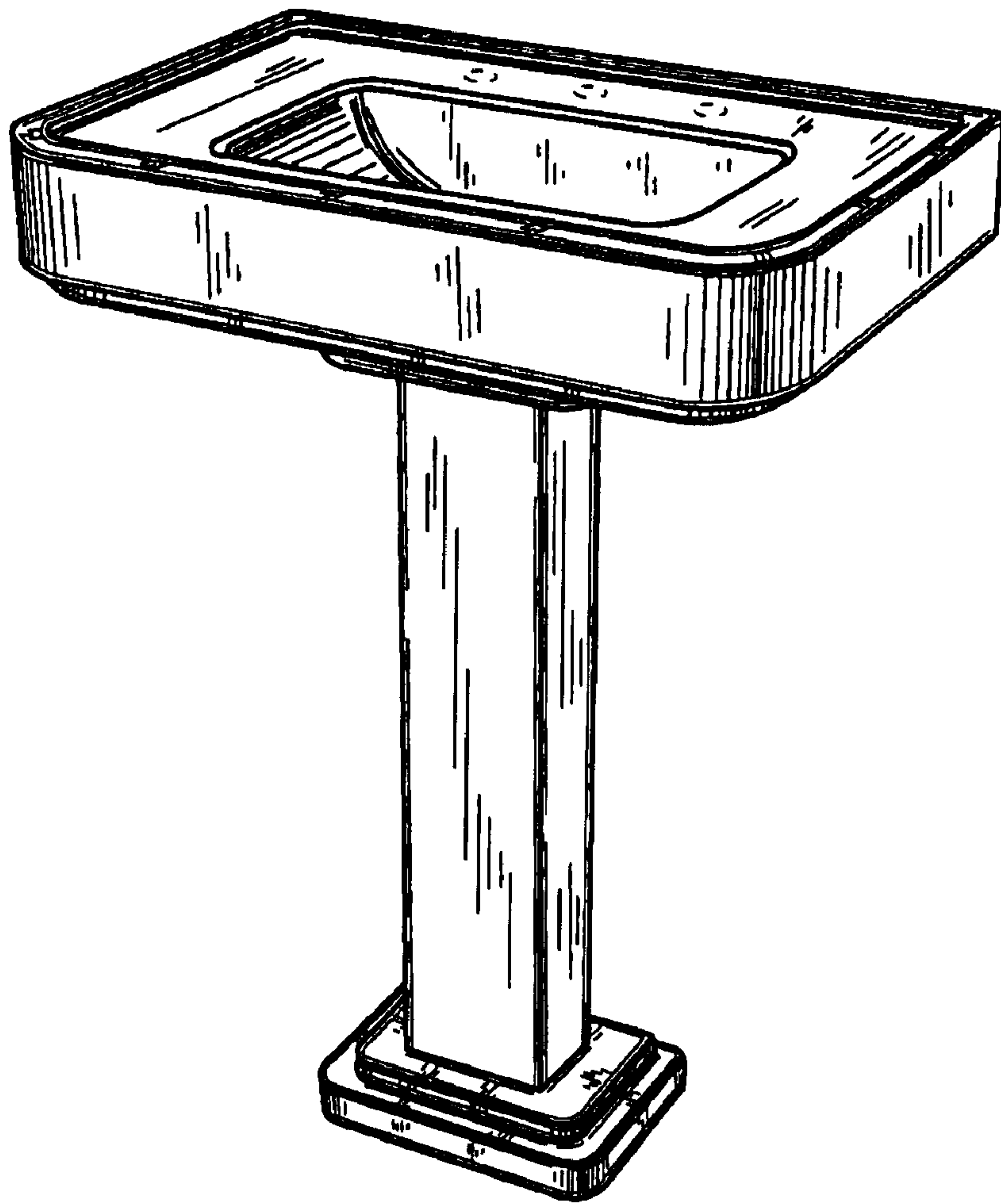


FIG. 1

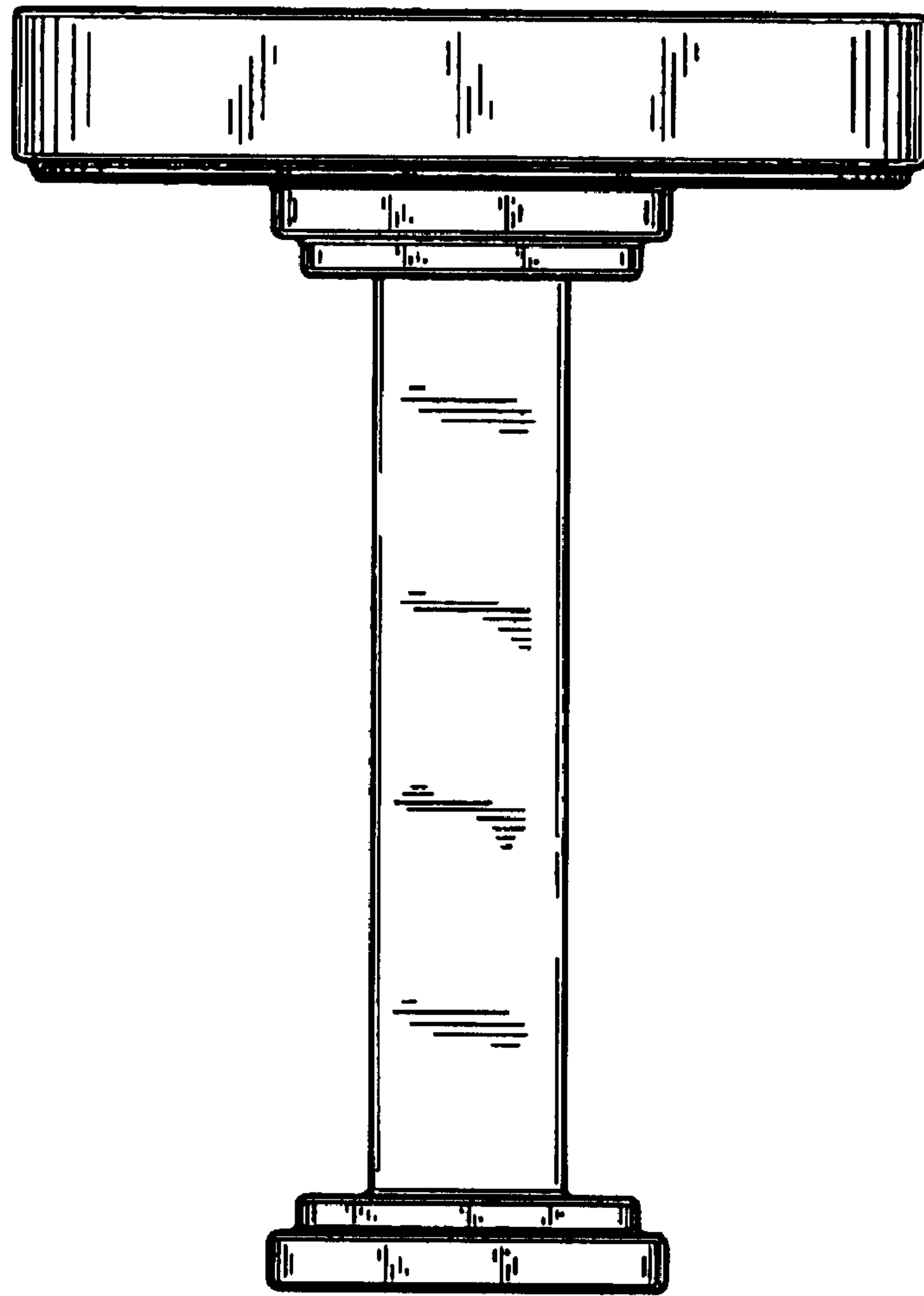


FIG. 2

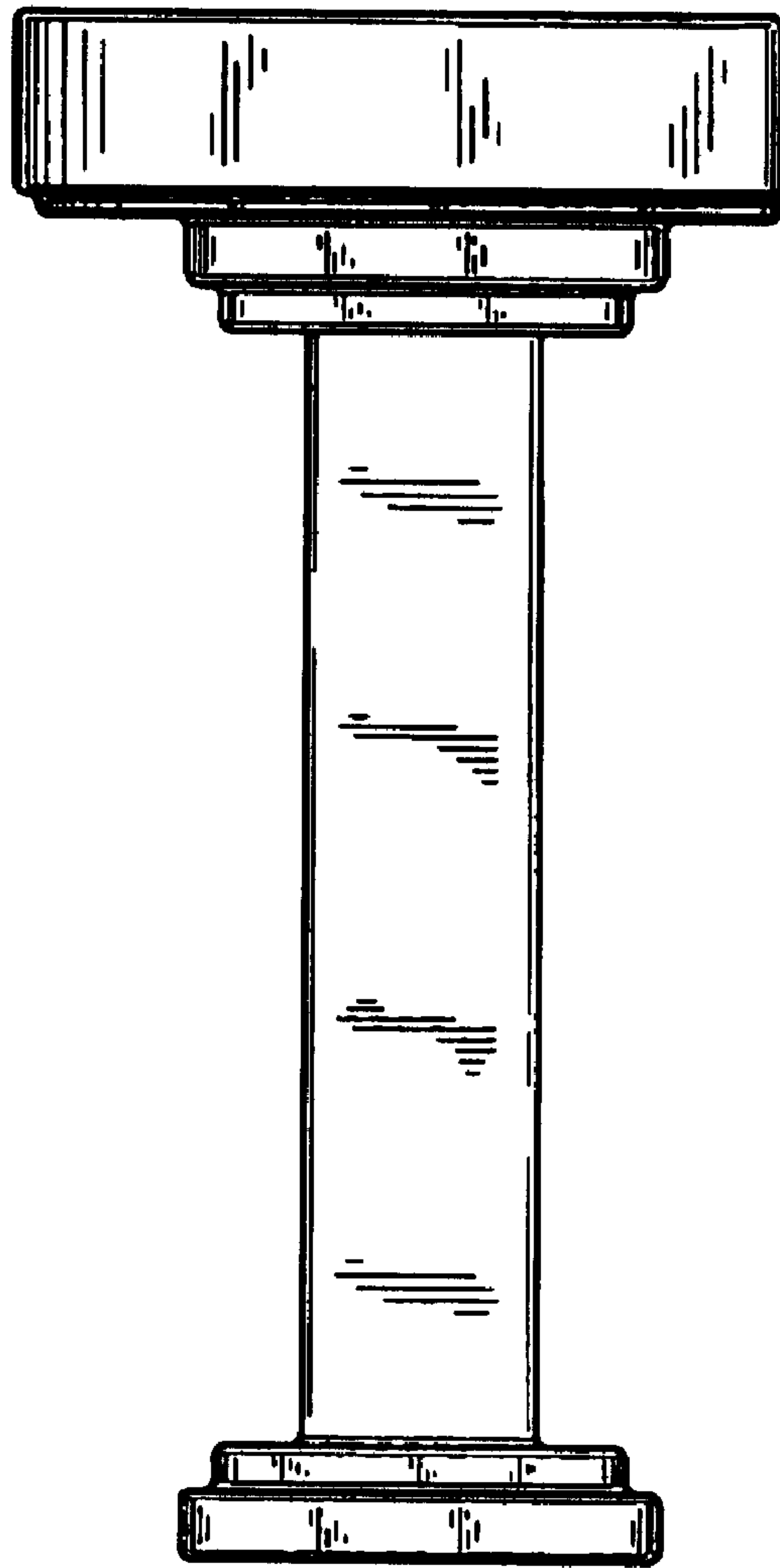


FIG. 3

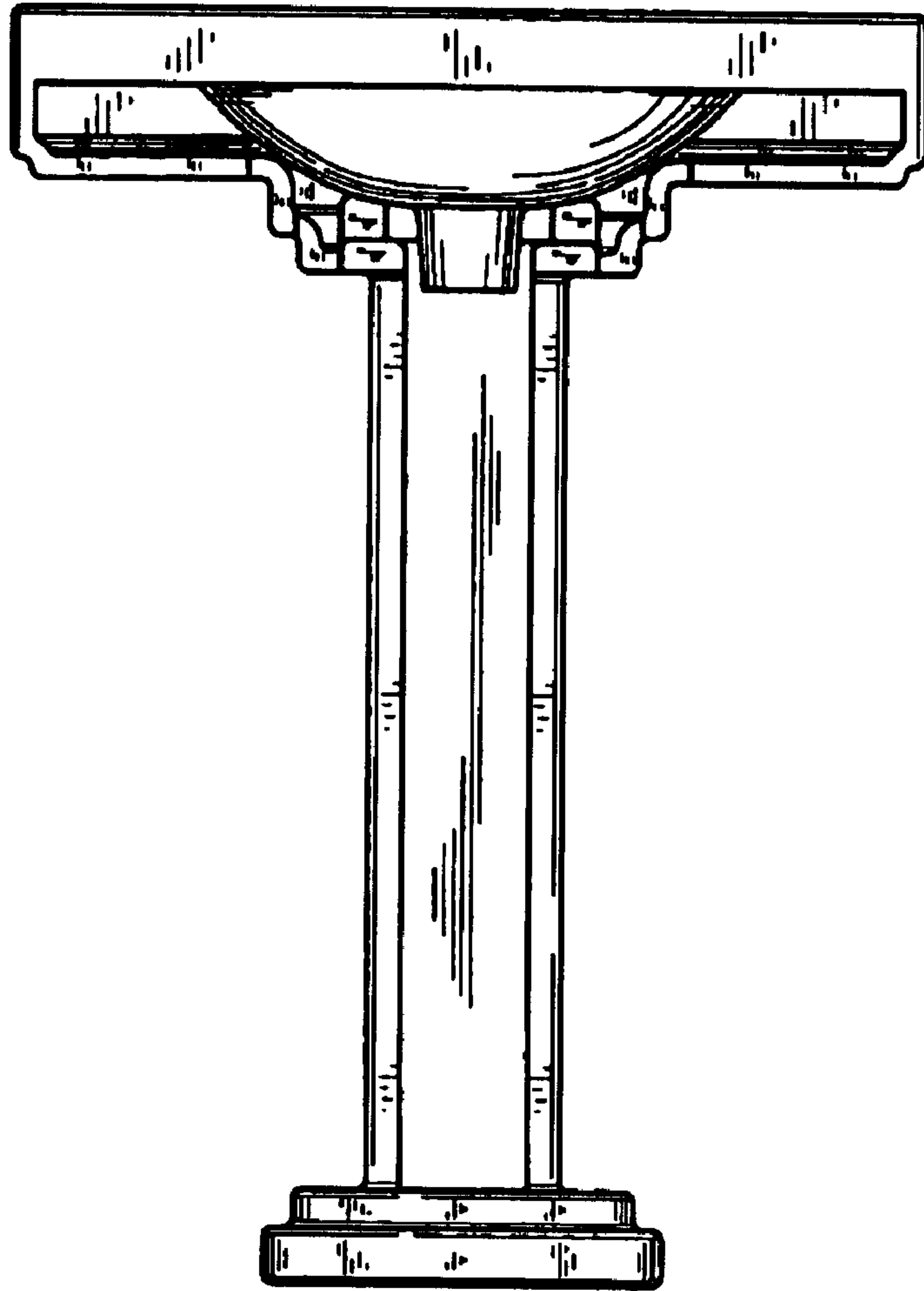


FIG. 4

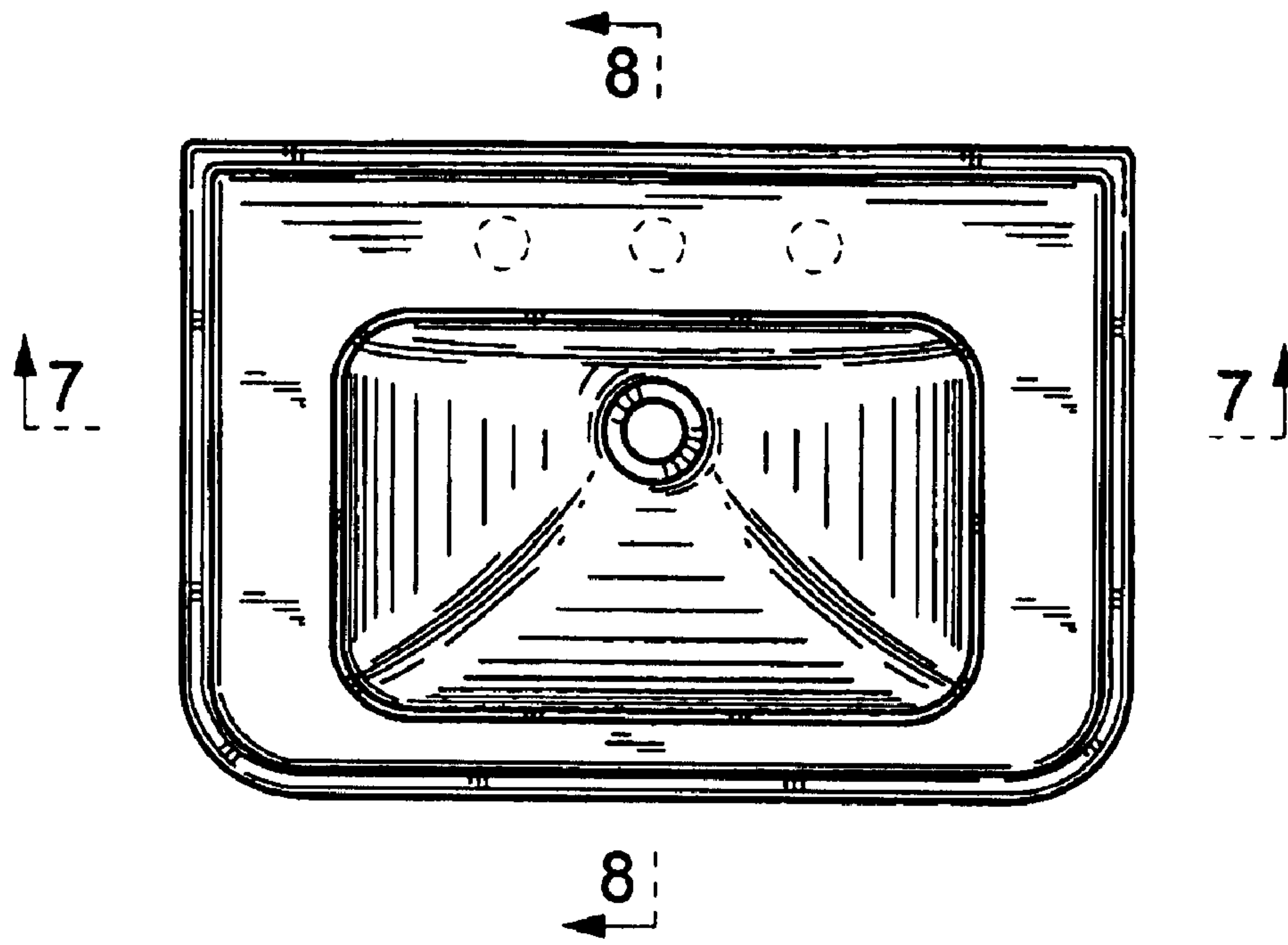


FIG. 5

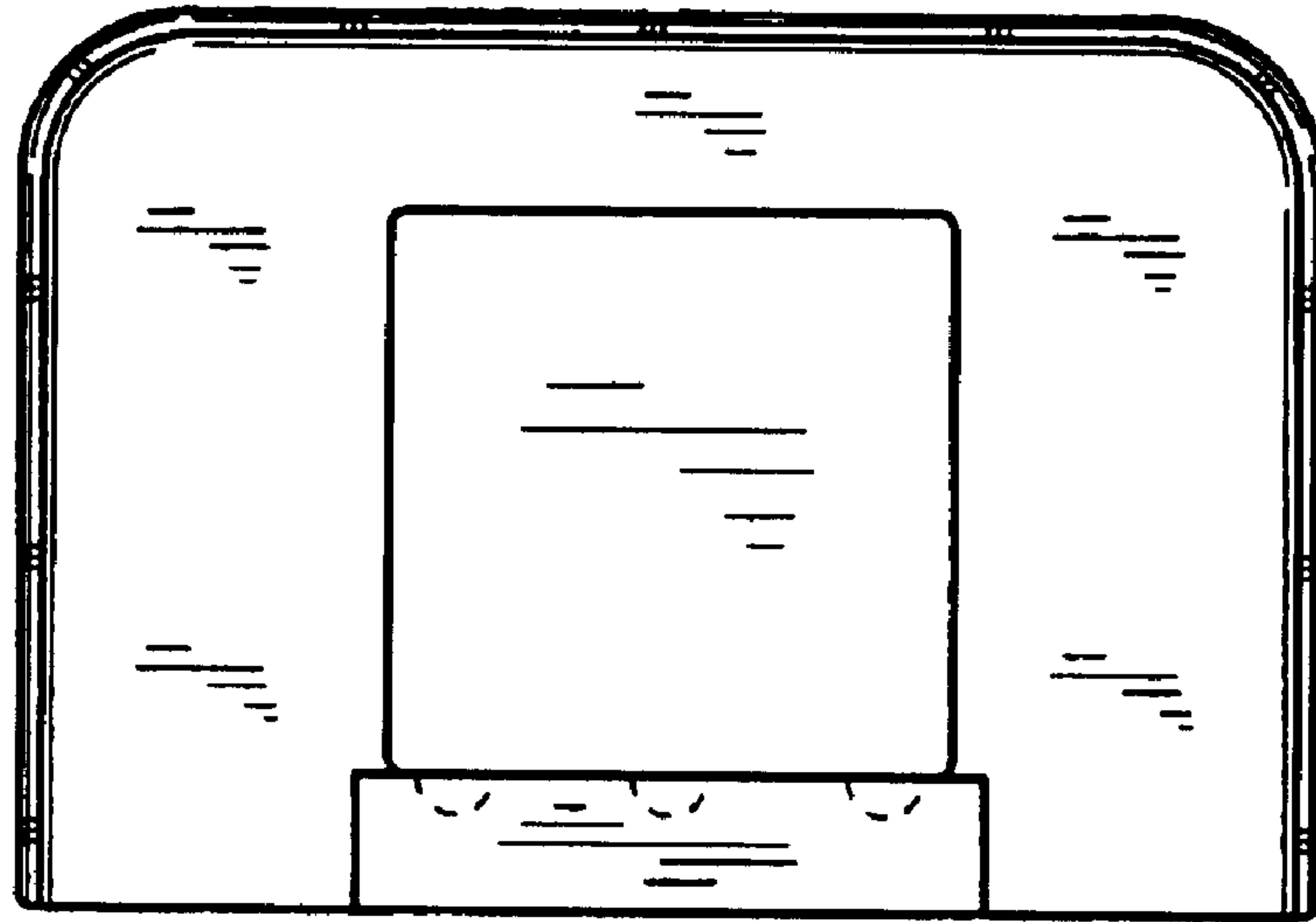


FIG. 6

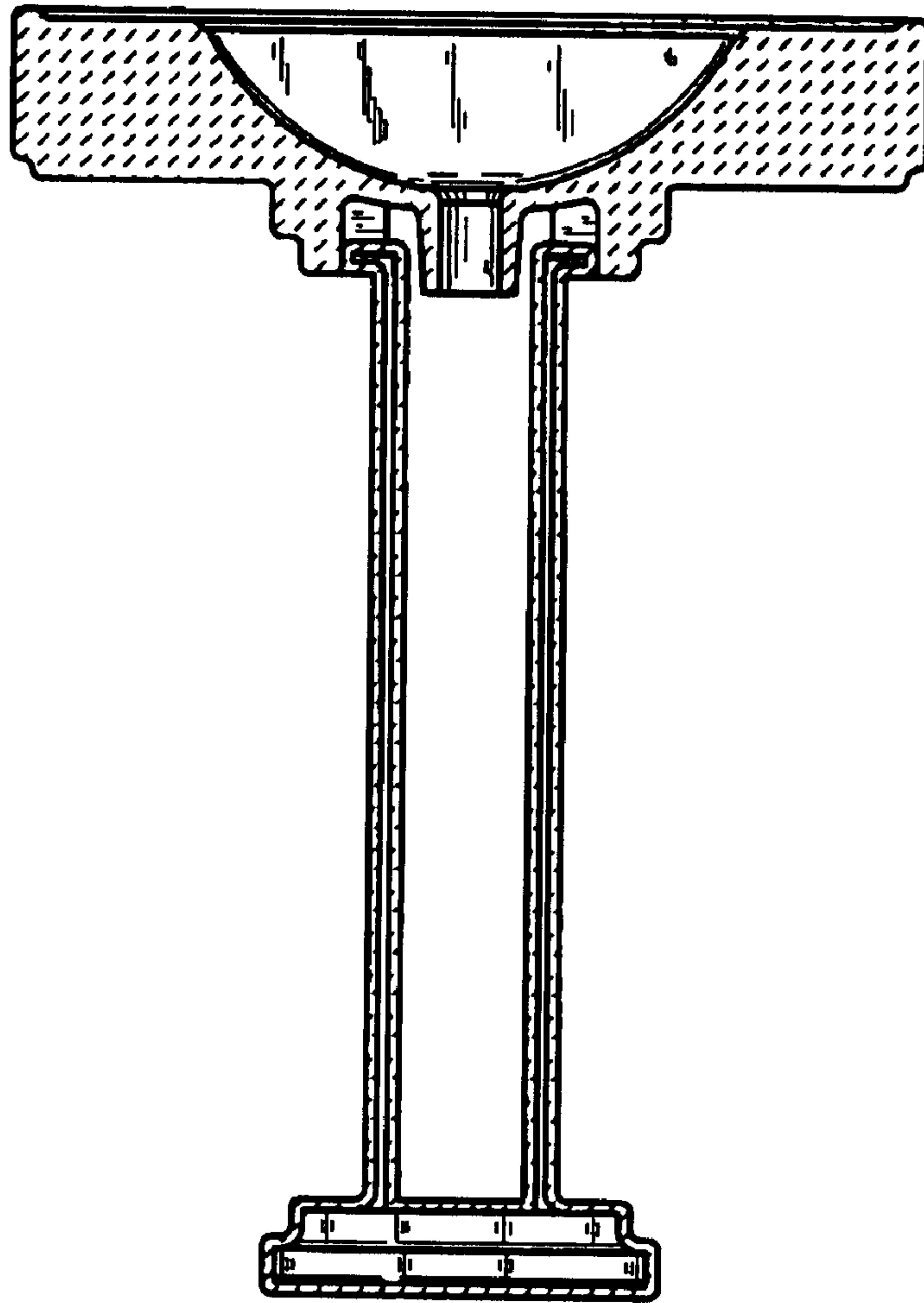


FIG. 7

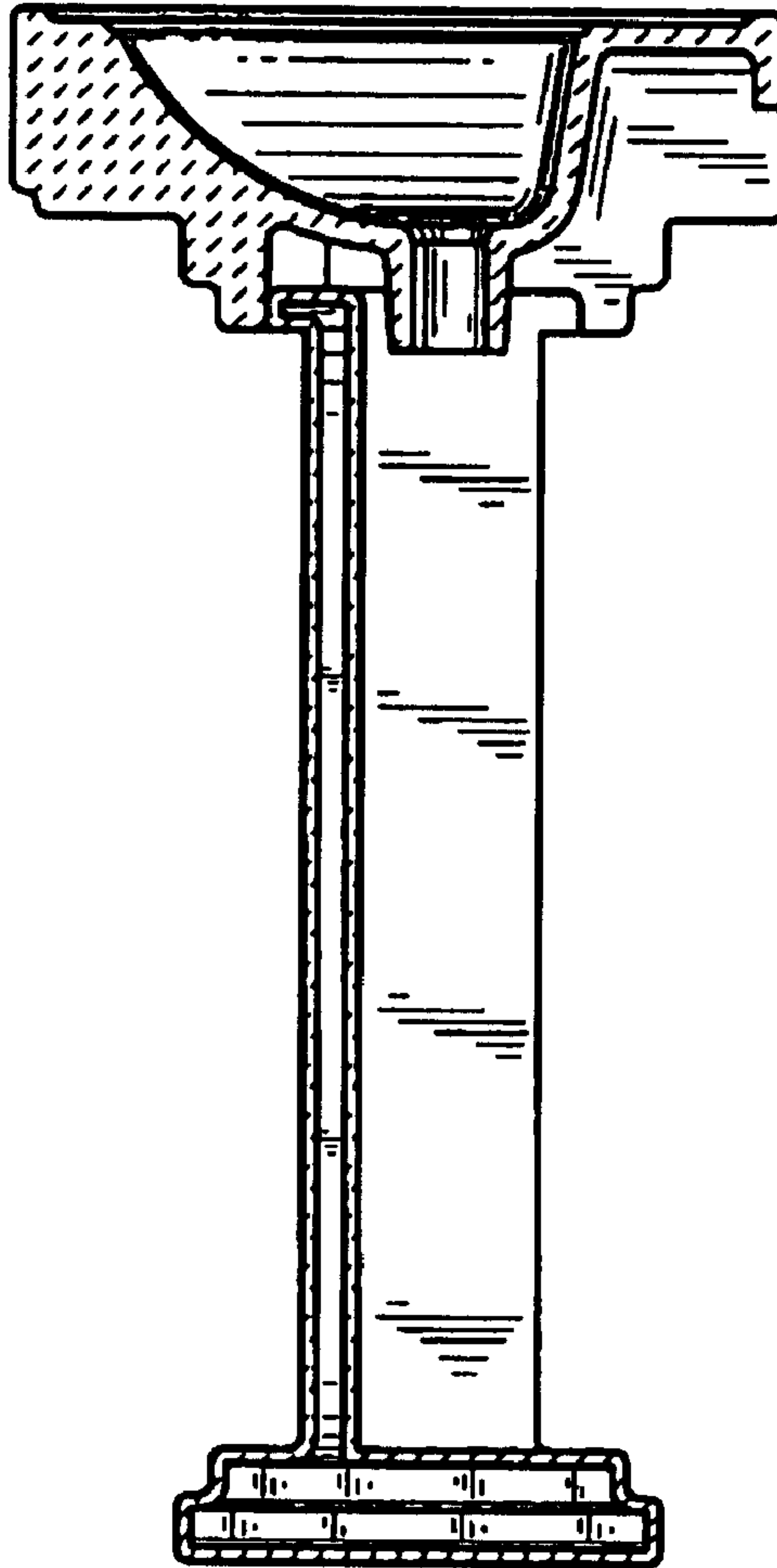


FIG. 8