



US00D543261S

(12) **United States Design Patent** (10) **Patent No.:** **US D543,261 S**  
**Dolan** (45) **Date of Patent:** **\*\* May 22, 2007**

(54) **PEDESTAL LAVATORY**

(76) Inventor: **Patrick S. Dolan**, 2700 NW. Front Ave., Portland, OR (US) 97210

(\*\*) Term: **14 Years**

(21) Appl. No.: **29/264,404**

(22) Filed: **Aug. 8, 2006**

(51) **LOC (8) Cl.** ..... **23-02**

(52) **U.S. Cl.** ..... **D23/292**

(58) **Field of Classification Search** ..... D23/201,  
D23/284, 292, 293.1, 303, 308; 4/619, 624,  
4/643, 646, 661

See application file for complete search history.

(56) **References Cited**

**U.S. PATENT DOCUMENTS**

|            |          |                    |               |
|------------|----------|--------------------|---------------|
| D45,283 S  | 2/1914   | Allen              |               |
| D76,918 S  | 11/1928  | Crane              |               |
| D77,877 S  | 3/1929   | Brain              |               |
| D82,116 S  | 9/1930   | Steele             |               |
| D88,713 S  | 4/1932   | Kohler et al.      |               |
| D101,446 S | 5/1936   | Dreyfuss et al.    |               |
| D320,437 S | 10/1991  | McKeone            |               |
| D321,754 S | 11/1991  | Reid               |               |
| D367,523 S | 2/1996   | Chen               |               |
| D380,040 S | 6/1997   | Kohler, Jr. et al. |               |
| D396,271 S | 7/1998   | Garza              |               |
| D397,415 S | 8/1998   | McKeone            |               |
| D407,470 S | 3/1999   | McKeone            |               |
| D414,549 S | 9/1999   | Kawamura           |               |
| D415,827 S | 10/1999  | McKeone            |               |
| D422,347 S | * 4/2000 | Kawamura           | ..... D23/292 |
| D470,928 S | 2/2003   | Kawamura et al.    |               |
| D472,617 S | 4/2003   | Lanius             |               |
| D479,587 S | 9/2003   | Smith              |               |
| D500,843 S | 1/2005   | Takou              |               |
| D523,181 S | 6/2006   | Mayer              |               |

**OTHER PUBLICATIONS**

Co-pending U.S. Appl. No. 29/264,415, filed Nov. 8, 2006, Patrick S. Dolan.

Co-pending U.S. Appl. No. 29/264,405, filed Nov. 8, 2006, Patrick S. Dolan.

Co-pending U.S. Appl. No. 29/264,426, filed Nov. 8, 2006, Patrick S. Dolan.

Co-pending U.S. Appl. No. 29/264,416, filed Nov. 8, 2006, Patrick S. Dolan.

Co-pending U.S. Appl. No. 29/264,406, filed Nov. 8, 2006, Patrick S. Dolan.

Co-pending U.S. Appl. No. 29/264,413, filed Nov. 8, 2006, Patrick S. Dolan.

Kallista (Kohler) Kohler, WI, Model P72030-00-8W, As on website: www.homeportfolio.com, Jun. 16, 2006.

Kohler, Kohler, WI, Model K12181, As on website: www.faucet.com, Jun. 16, 2006.

\* cited by examiner

*Primary Examiner*—Robert A. Delehanty

(57) **CLAIM**

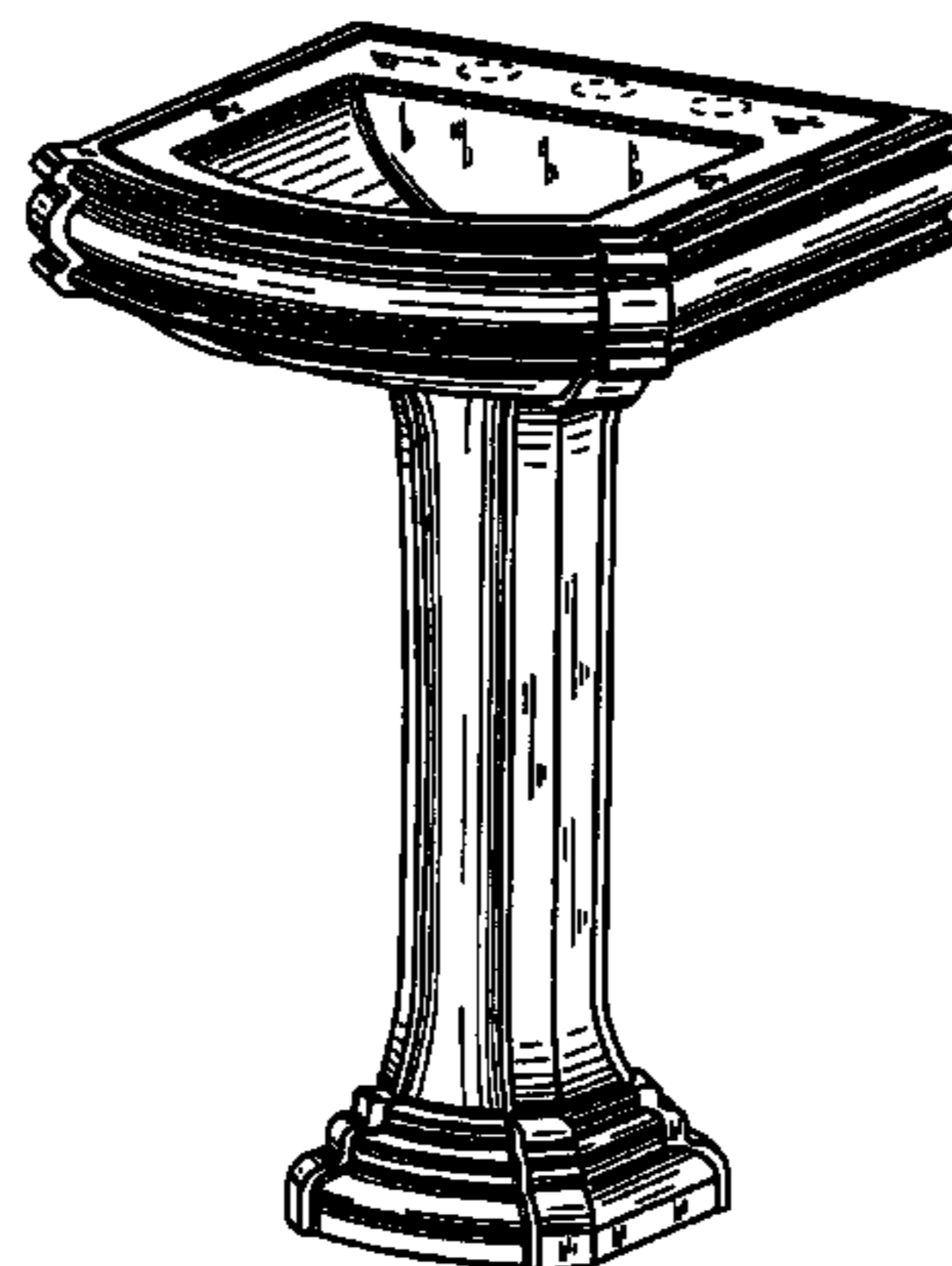
The ornamental design for a pedestal lavatory, as shown and described.

**DESCRIPTION**

FIG. 1 is a perspective view thereof;  
FIG. 2 is a front elevational view thereof;  
FIG. 3 is a right side view, the left side view being a mirror image;  
FIG. 4 is a back plan view thereof;  
FIG. 5 is a top plan view thereof;  
FIG. 6 is a bottom plan view thereof;  
FIG. 7 is a cross-sectional view taken along Line 7—7 of FIG. 5; and,  
FIG. 8 is a cross-sectional view taken alone Line 8—8 of FIG. 5.

The broken line showing of environmental structure is for illustrative purposes only and forms no part of the claimed design.

**1 Claim, 8 Drawing Sheets**



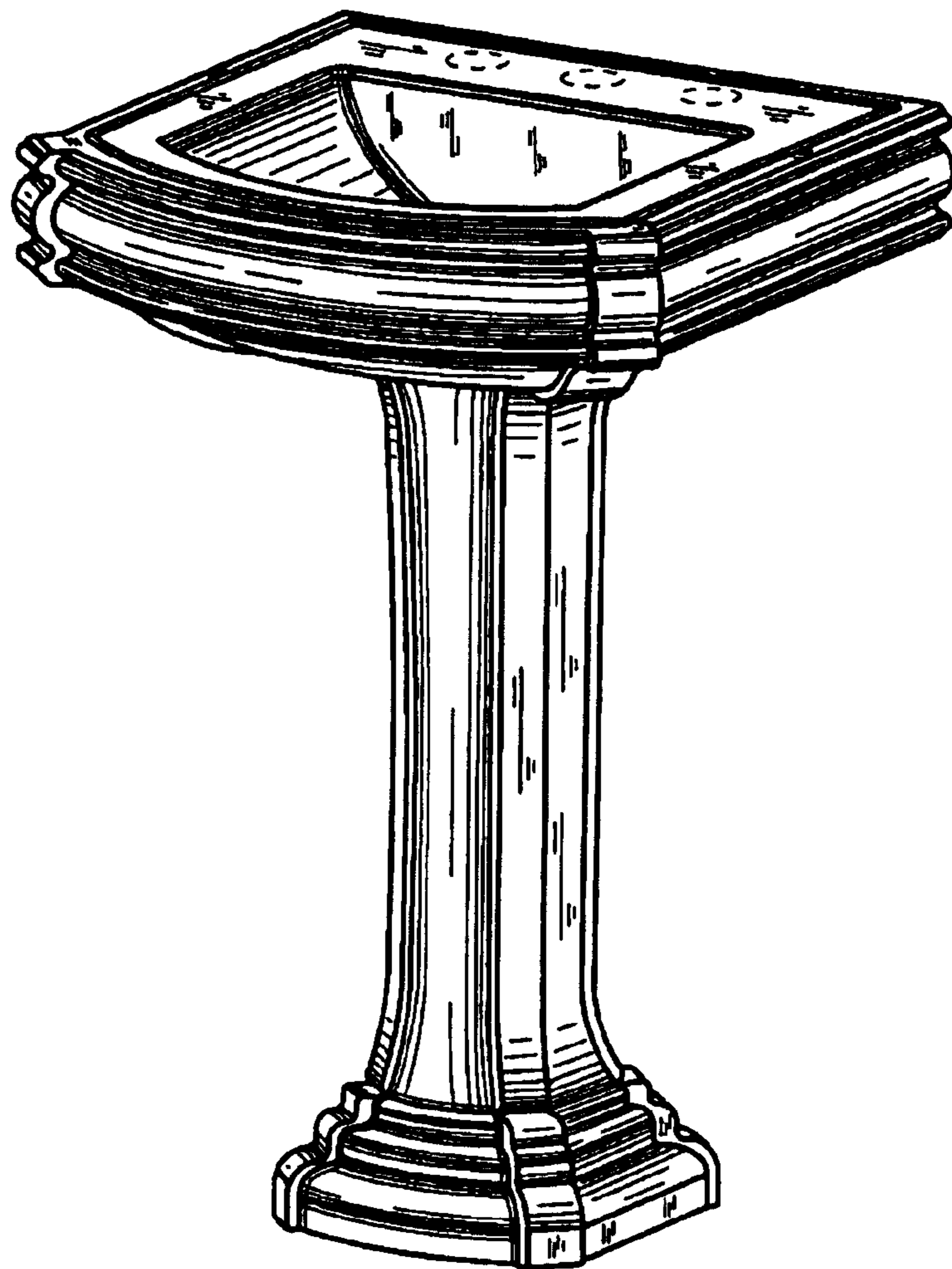


FIG. 1

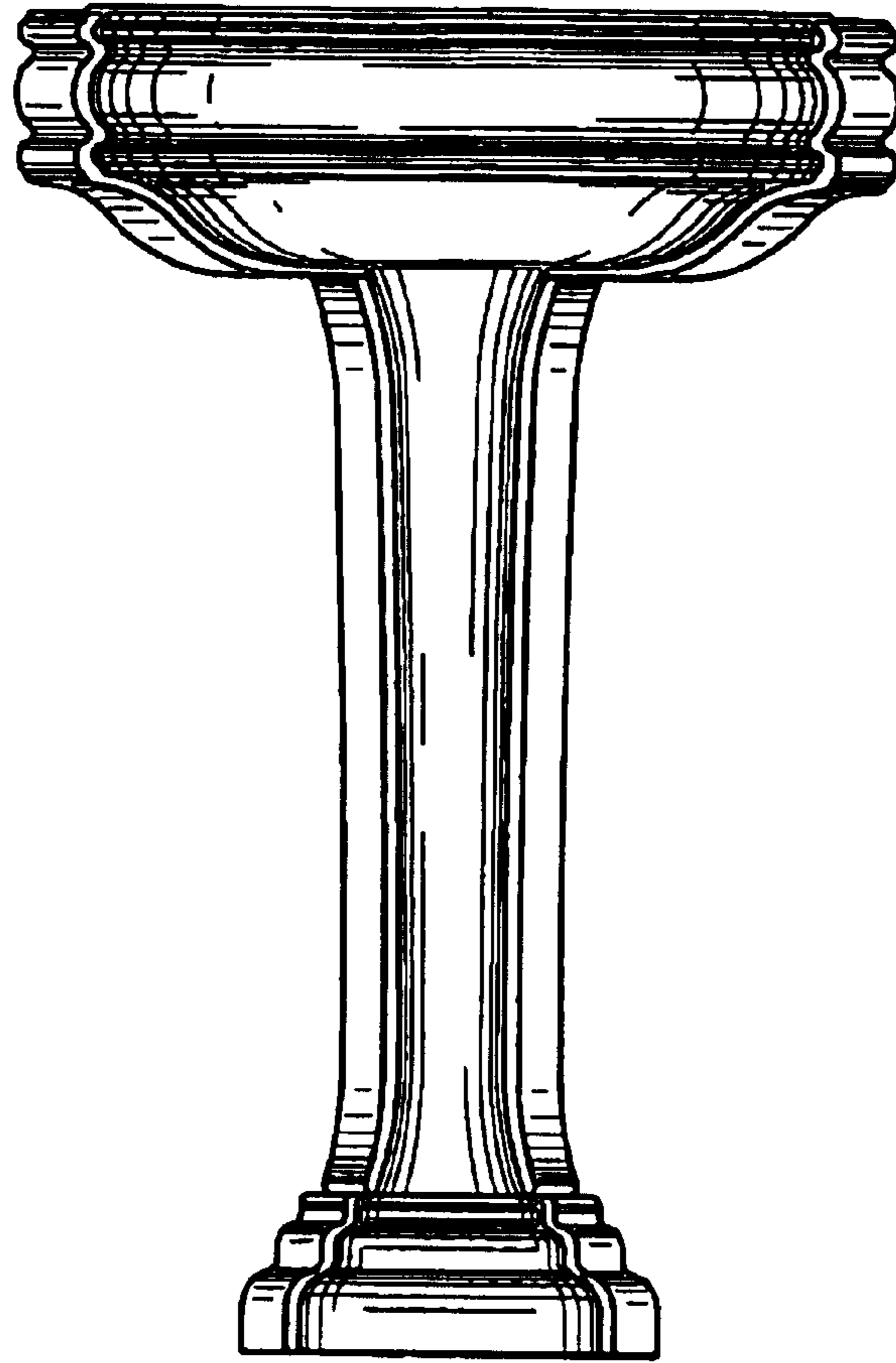


FIG. 2

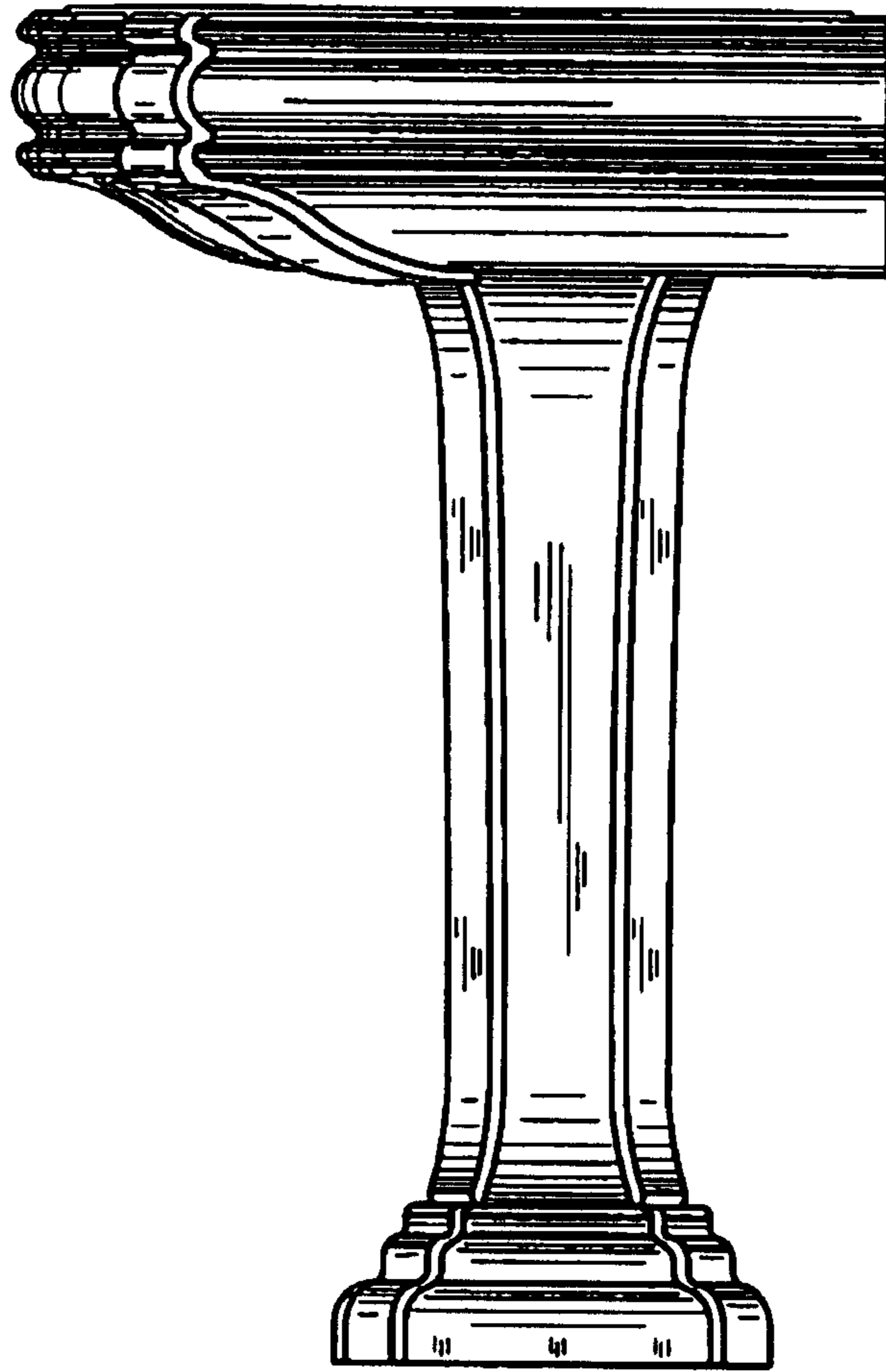


FIG. 3

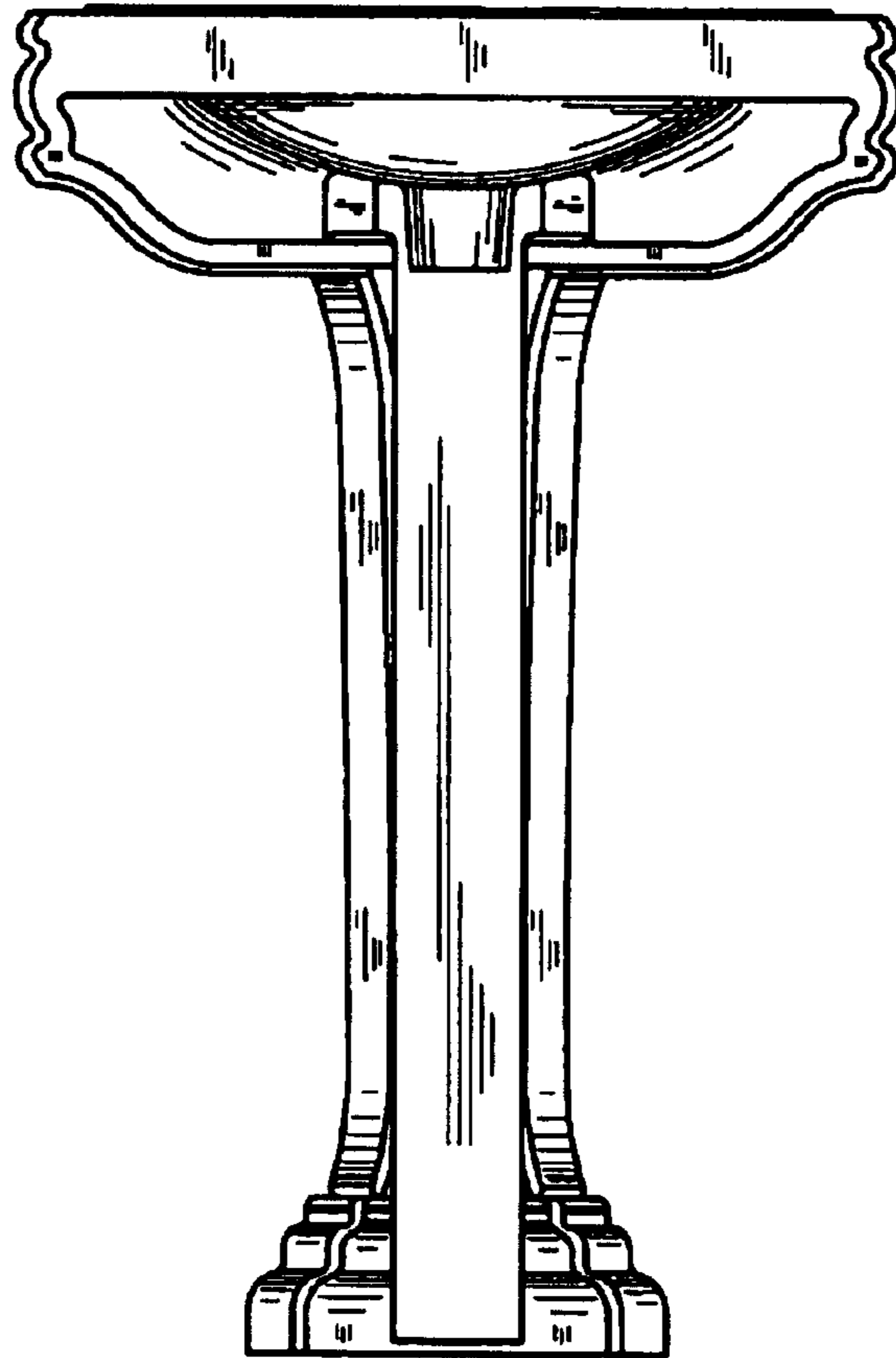


FIG. 4

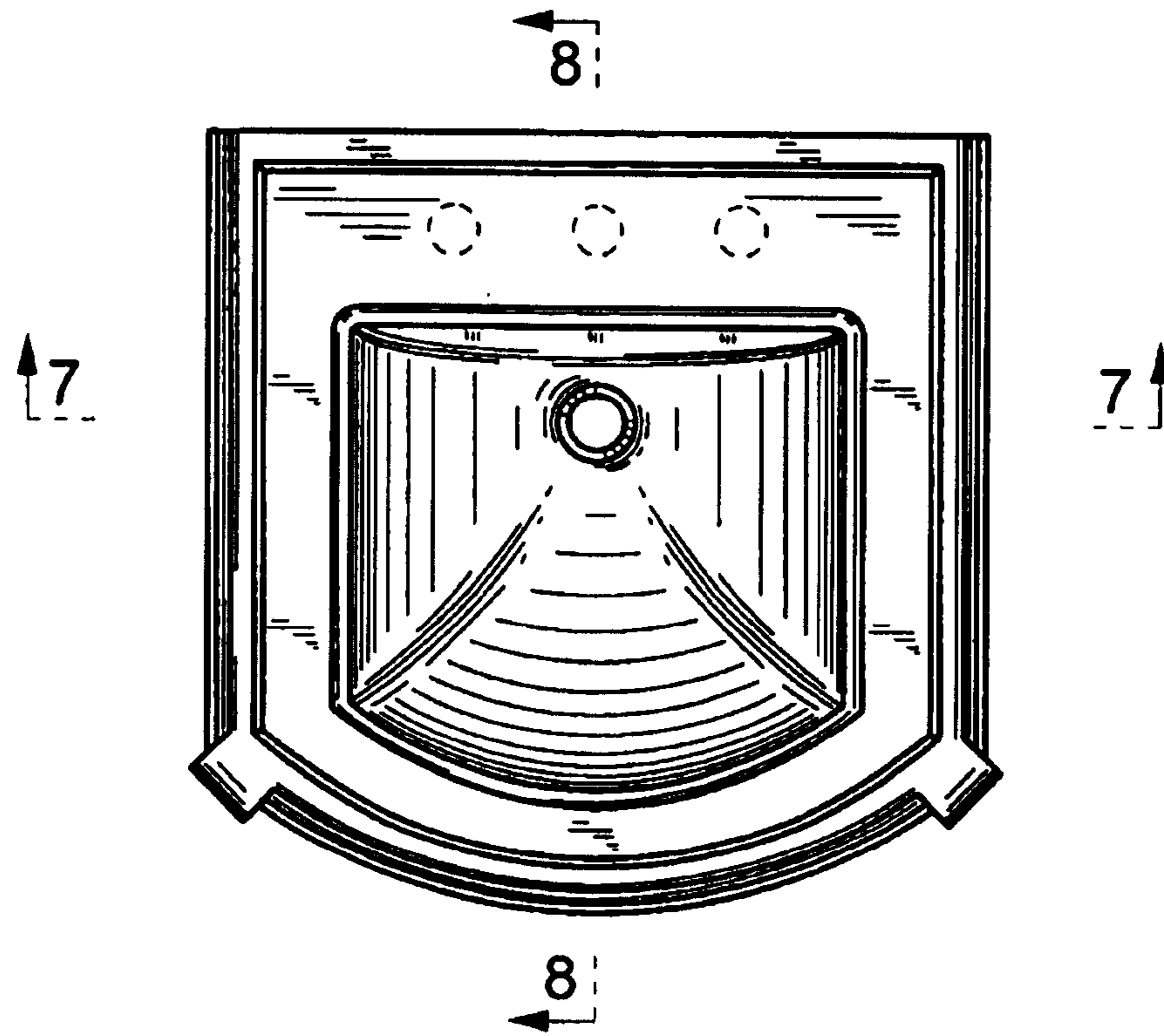


FIG. 5

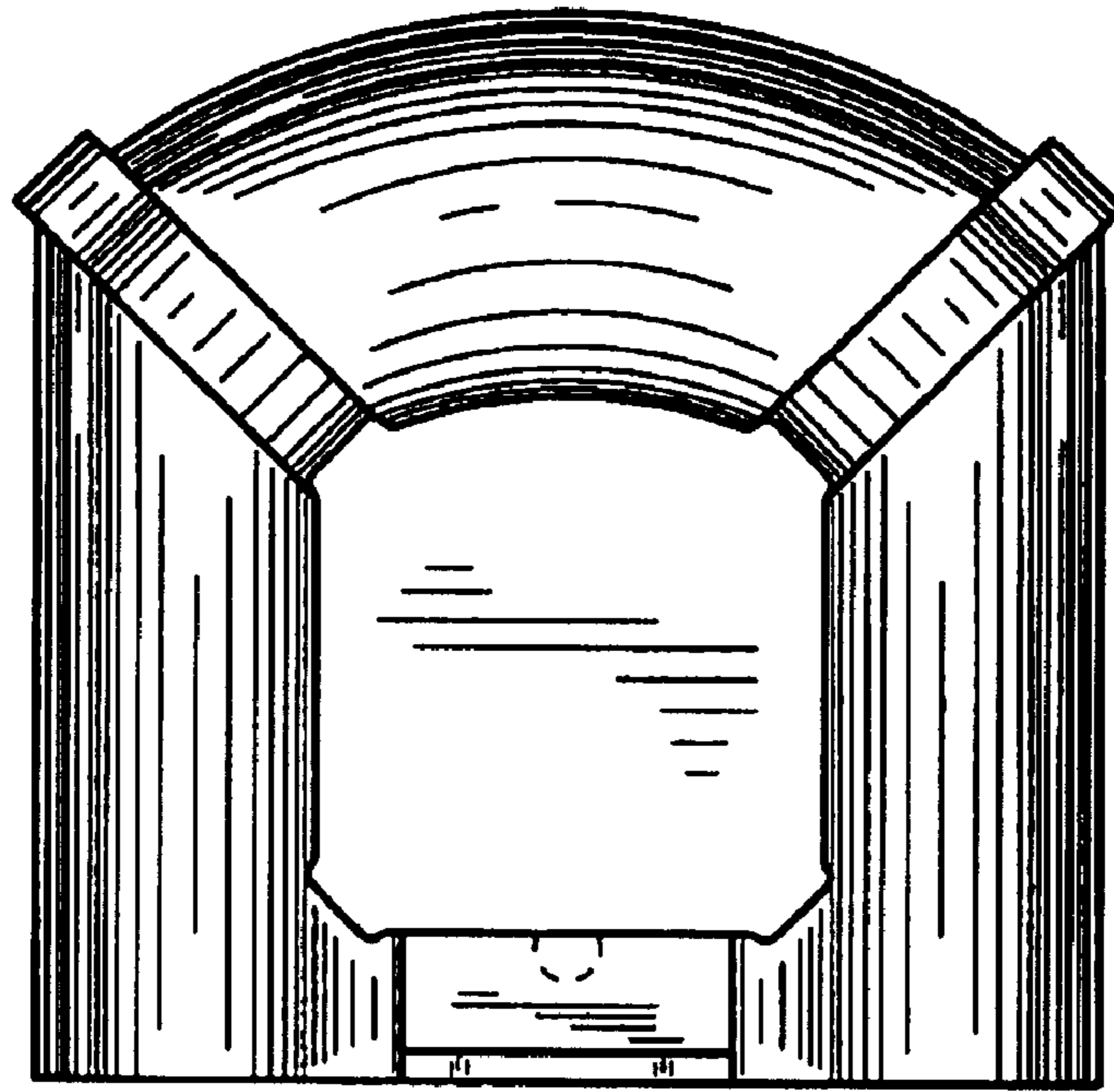


FIG. 6

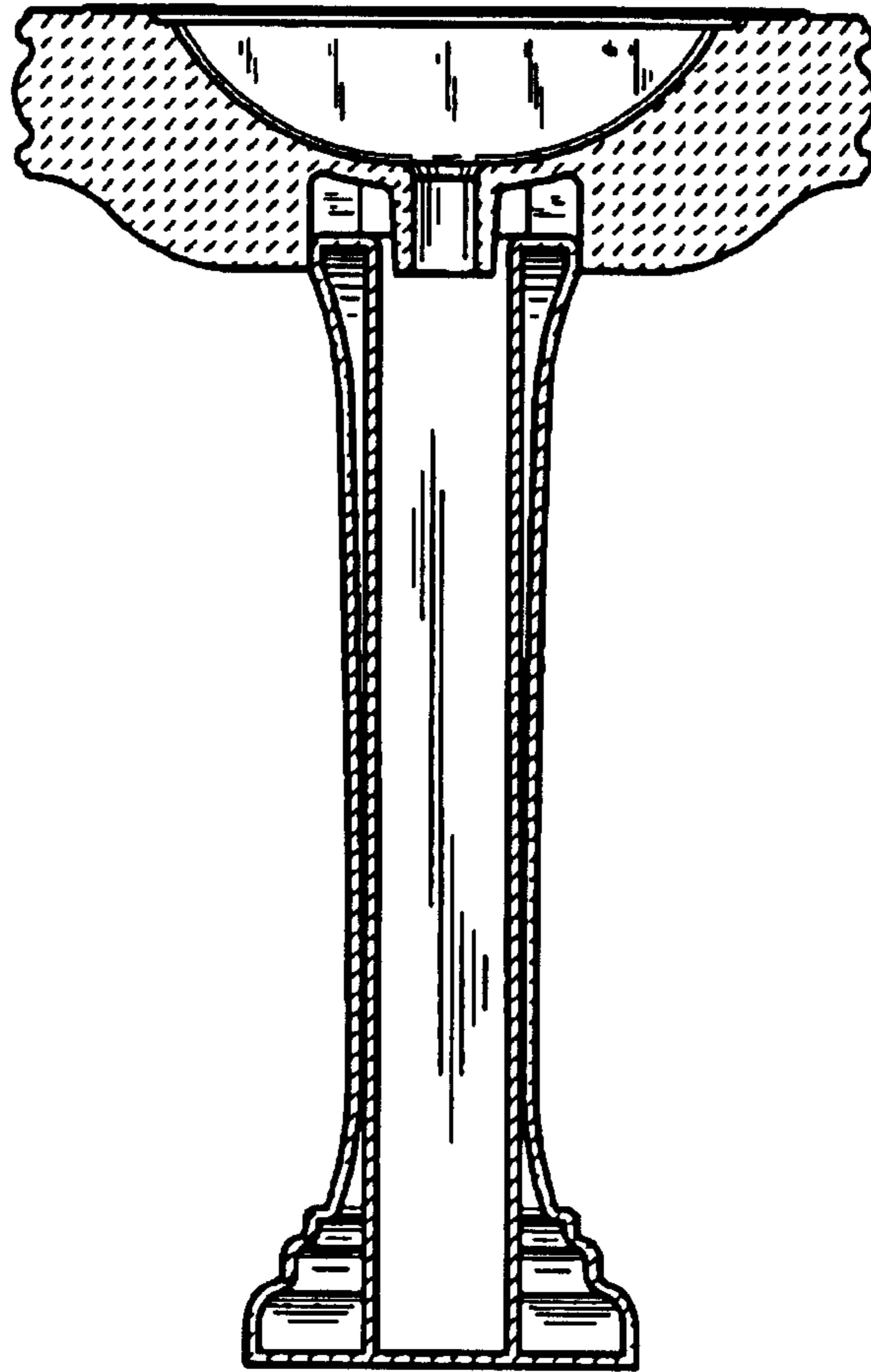
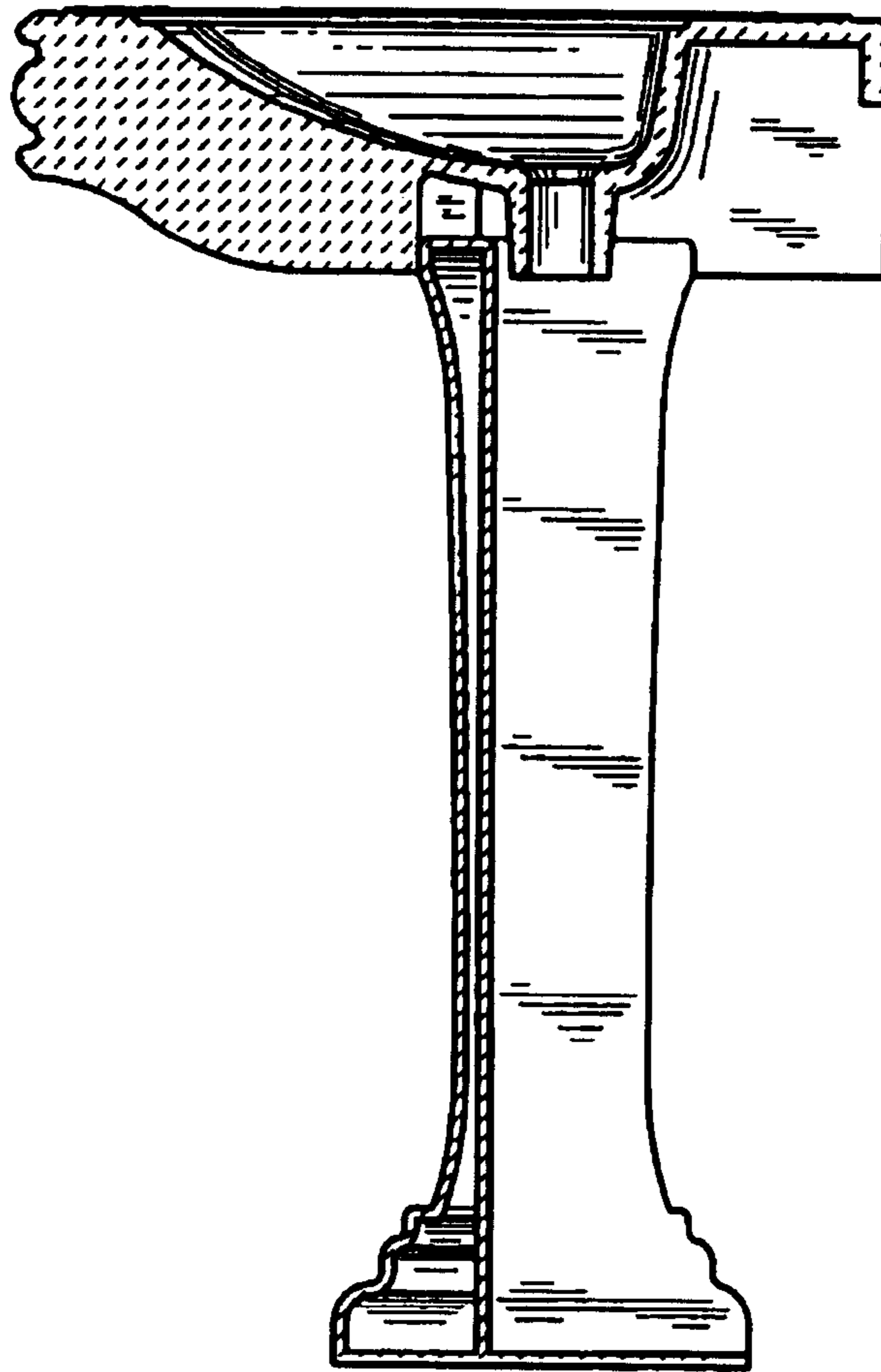


FIG. 7





**FIG. 8**