

US00D543259S

(12) **United States Design Patent**  
**Chueh et al.**

(10) **Patent No.:** **US D543,259 S**

(45) **Date of Patent:** **\*\* May 22, 2007**

(54) **ADAPTOR**

(75) Inventors: **Chun Fei Chueh**, Jamaica, NY (US);  
**Paul A. Scharf**, New York, NY (US)

(73) Assignee: **Kowabunga Patent & Trademark 1, LLC**, New York, NY (US)

(\*\*) Term: **14 Years**

(21) Appl. No.: **29/202,275**

(22) Filed: **Mar. 26, 2004**

(51) **LOC (8) Cl.** ..... **23-01**

(52) **U.S. Cl.** ..... **D23/262**

(58) **Field of Classification Search** ..... D23/260–262;  
483/65; 279/91, 143; 81/DIG. 11; D9/434,  
D9/447; D8/397–399, 387; D24/129, 165,  
D24/156, 109; D15/140; 409/234

See application file for complete search history.

(56) **References Cited**

**U.S. PATENT DOCUMENTS**

D32,963 S	*	7/1900	Levering	.....	D23/262
D209,377 S	*	11/1967	Pomroy	.....	D23/260
D223,187 S	*	3/1972	Wing	.....	D8/397
D254,928 S	*	5/1980	Mathis	.....	D23/261
D261,174 S	*	10/1981	Berliner	.....	D24/165
D263,932 S	*	4/1982	Daenen et al.	.....	D9/434
D296,559 S	*	7/1988	Drabinski	.....	D15/140
D321,164 S	*	10/1991	Gibson	.....	D12/213
D325,783 S	*	4/1992	Anderson	.....	D24/193
D328,903 S	*	8/1992	Bonbright	.....	D15/5
5,167,478 A	*	12/1992	Ramunas	.....	409/234
D344,242 S	*	2/1994	Weise et al.	.....	D10/80

D347,894 S	*	6/1994	Hansen et al.	.....	D24/129
D348,513 S	*	7/1994	Bale	.....	D24/109
D352,354 S	*	11/1994	Davis et al.	.....	D24/112
D356,625 S	*	3/1995	Petrucci et al.	.....	D23/209
D363,767 S	*	10/1995	Swaim	.....	D23/260
5,618,145 A	*	4/1997	Kuo	.....	411/432
D444,545 S	*	7/2001	Nyman	.....	D23/260
D450,235 S	*	11/2001	Shinjo et al.	.....	D8/397
D451,791 S	*	12/2001	Shinjo et al.	.....	D8/397
D452,429 S	*	12/2001	Shinjo et al.	.....	D8/397
D459,207 S	*	6/2002	Miyata	.....	D8/397
D464,255 S	*	10/2002	Hundley	.....	D8/399
6,460,863 B1	*	10/2002	Wuertz et al.	.....	279/141
D475,769 S	*	6/2003	Walker	.....	D23/262
D486,224 S	*	2/2004	Gay, III	.....	D24/109
D528,407 S	*	9/2006	Schwab	.....	D8/399

\* cited by examiner

*Primary Examiner*—Louis S. Zarfes

*Assistant Examiner*—Eric L. Goodman

(74) *Attorney, Agent, or Firm*—Collard & Roe, P.C.

(57) **CLAIM**

The ornamental design for an adaptor, as shown and described.

**DESCRIPTION**

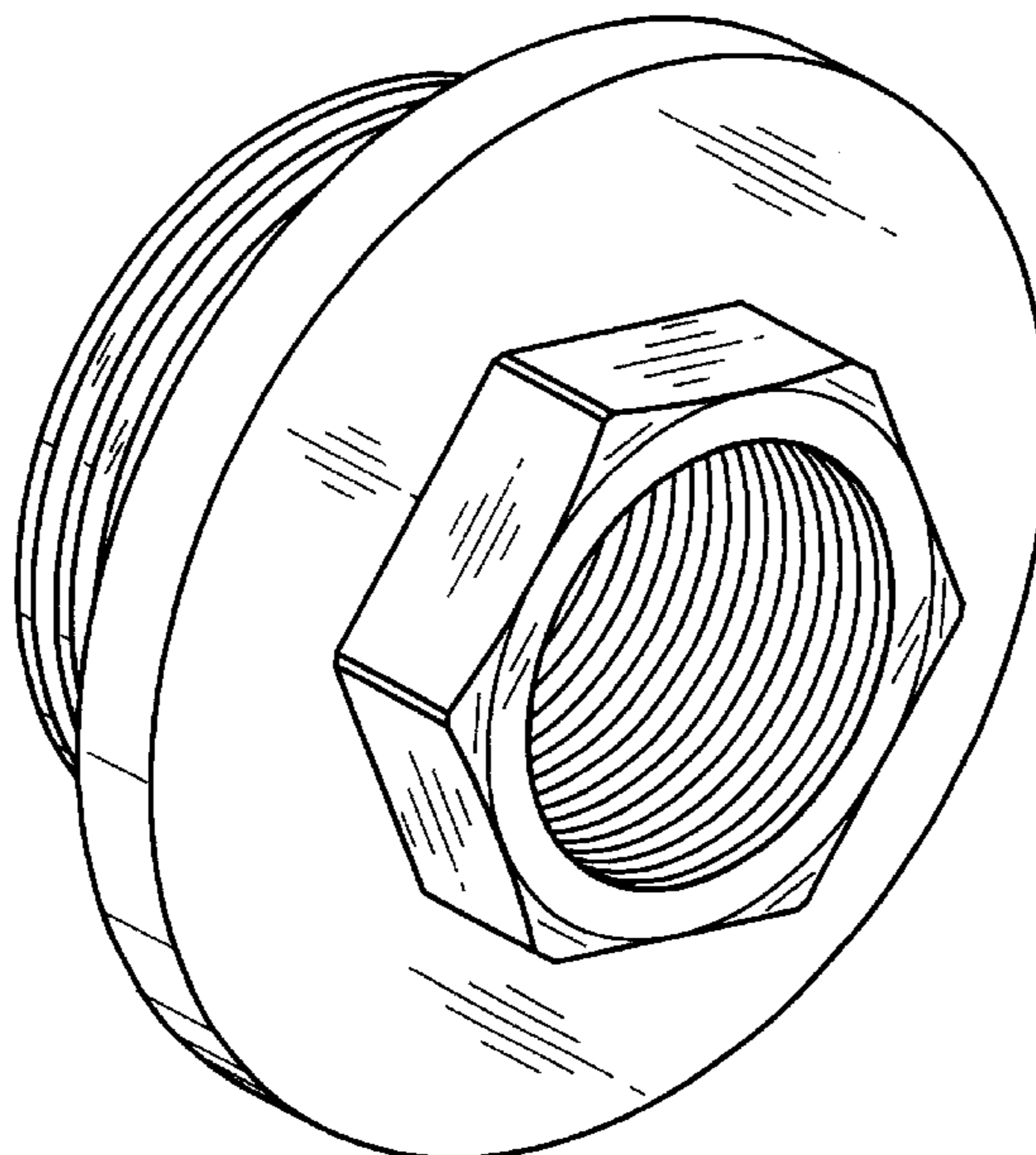
FIG. 1 shows a perspective view of an embodiment of our design for an adaptor;

FIG. 2 shows a top view thereof;

FIG. 3 shows a side view thereof, with an opposite side view being identical; and,

FIG. 4 shows a bottom view thereof.

**1 Claim, 2 Drawing Sheets**



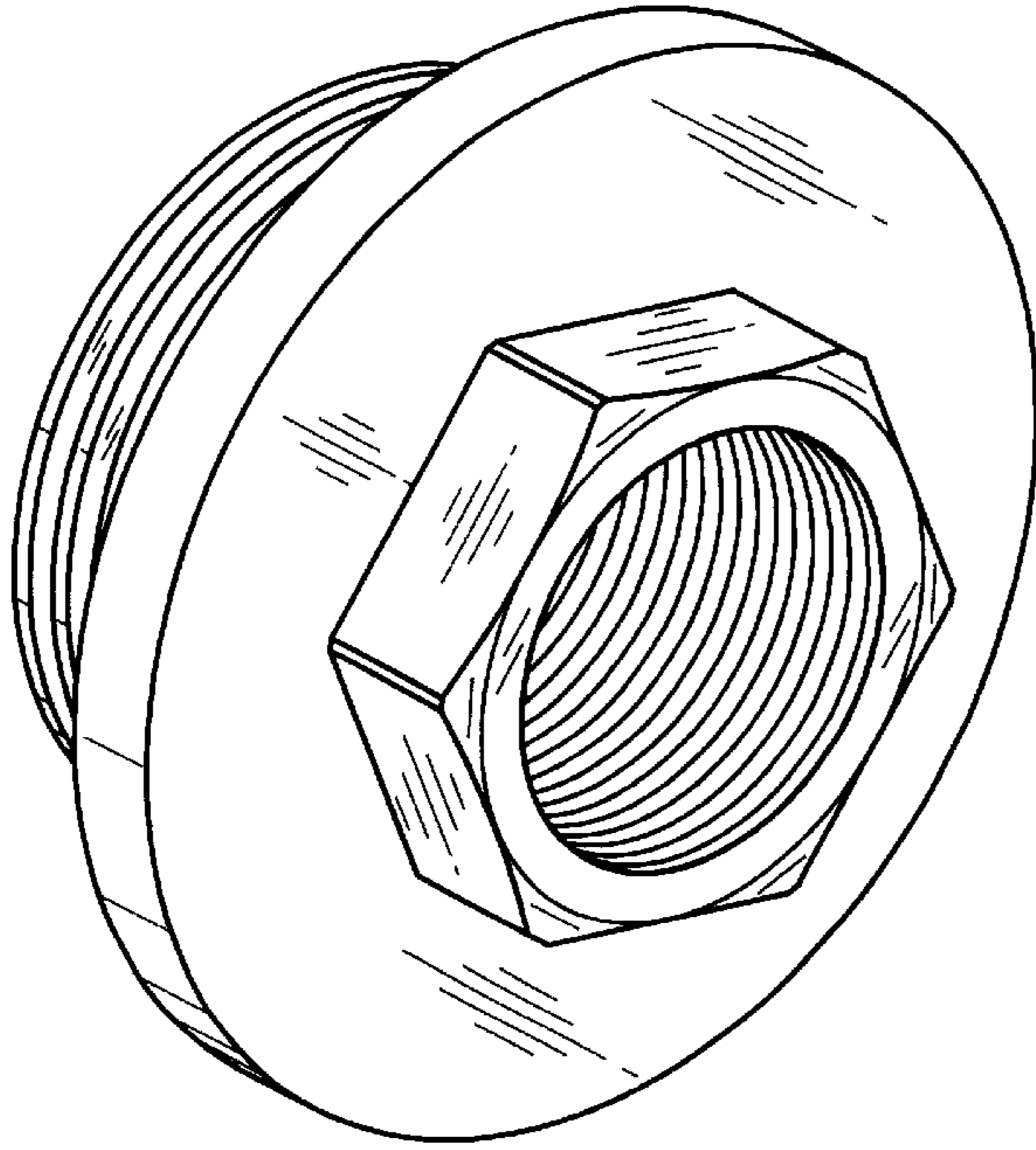


FIG. 1

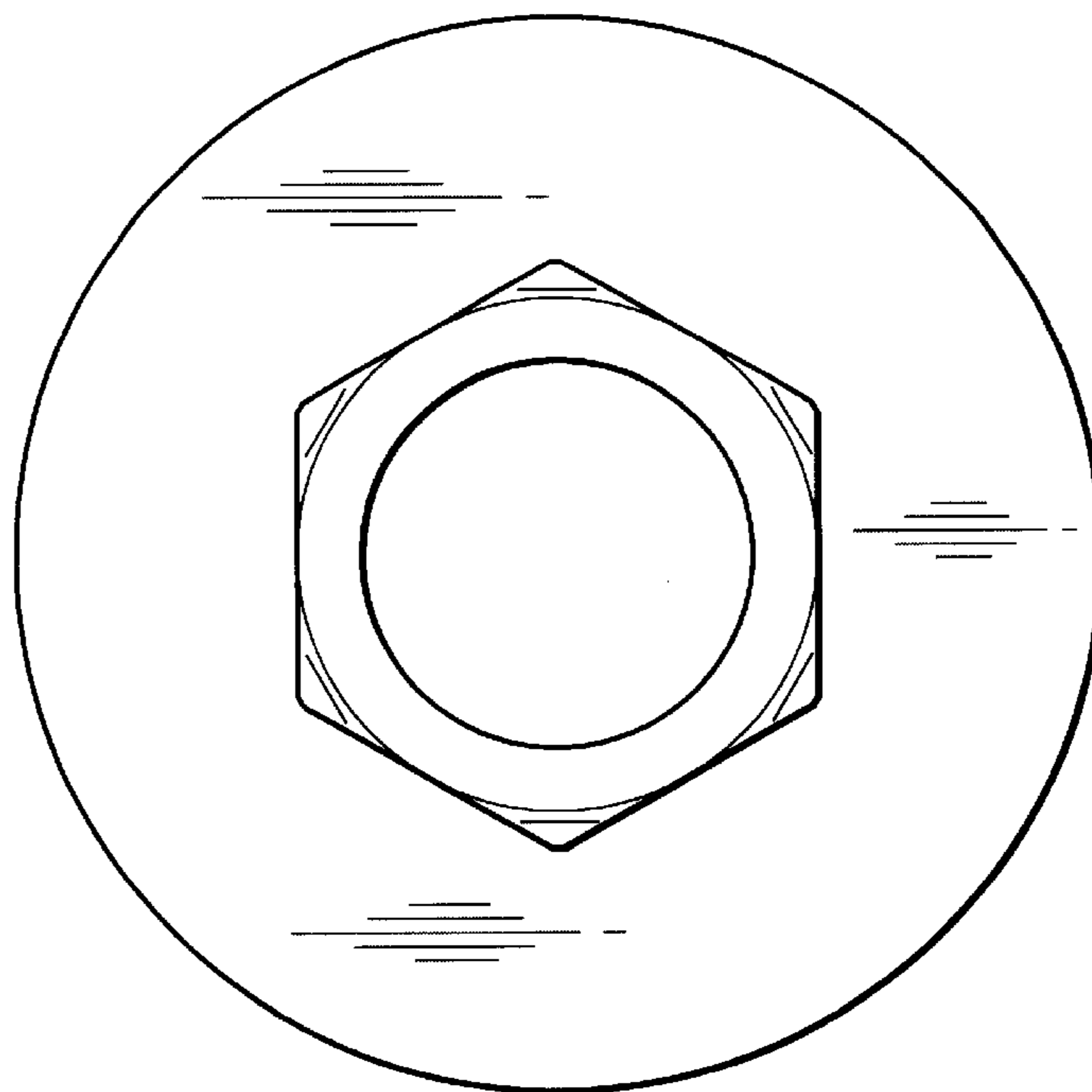


FIG. 2

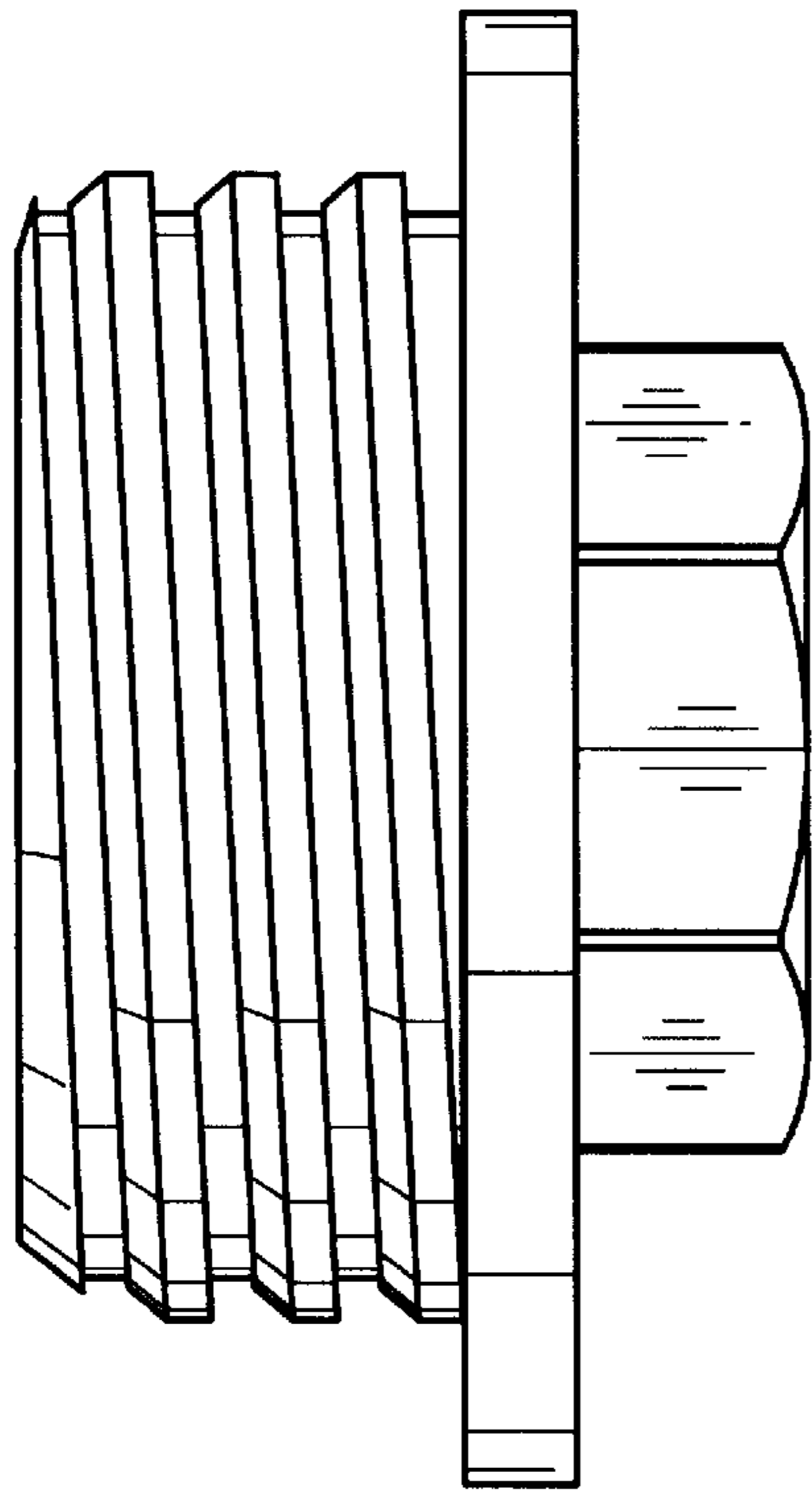


FIG. 3

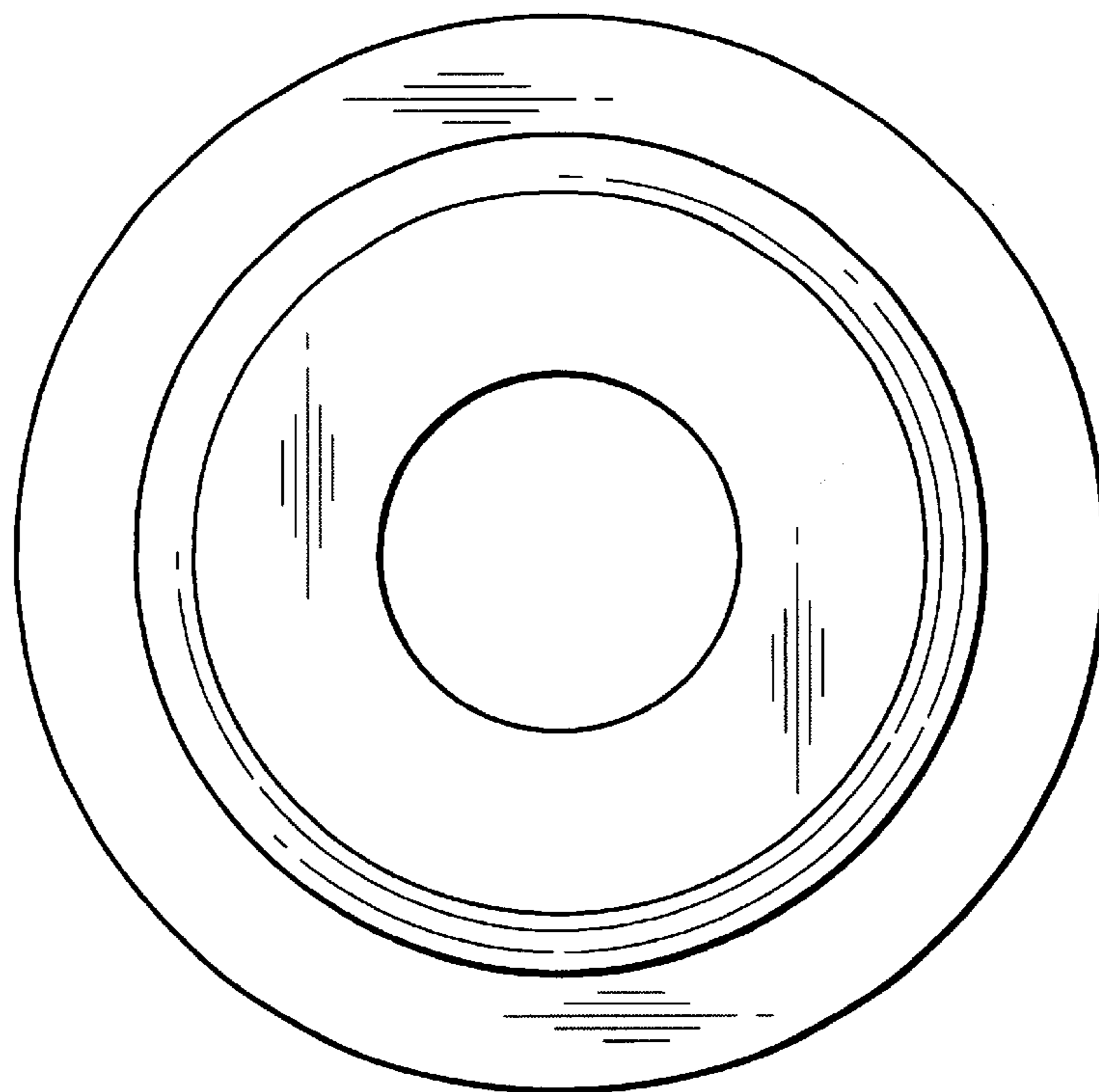


FIG. 4