

US00D543258S

(12) **United States Design Patent**
Liu

(10) **Patent No.:** **US D543,258 S**

(45) **Date of Patent:** **** May 22, 2007**

(54) **SOLID TOILET BOWL CLEANER**

D512,480 S * 12/2005 Nguyen et al. D23/208
D514,661 S * 2/2006 Weller et al. D23/208
D523,923 S * 6/2006 Nguyen et al. D23/208

(76) Inventor: **Junwu Liu**, 466 Tonjiang Grand Avenue, Hi-tech Development Zone, Changzhou City, Jiangsu Province (CN)

* cited by examiner

(**) Term: **14 Years**

Primary Examiner—Robin Webster

(74) *Attorney, Agent, or Firm*—Gottlieb, Rackman & Reisman

(21) Appl. No.: **29/238,550**

(57) **CLAIM**

(22) Filed: **Sep. 16, 2005**

The ornamental design for a solid toilet bowl cleaner, as shown and described.

(51) **LOC (8) Cl.** **23-01**

(52) **U.S. Cl.** **D23/208**

(58) **Field of Classification Search** D23/208,
D23/207; 4/231, 223, 225.1, 227.1
See application file for complete search history.

DESCRIPTION

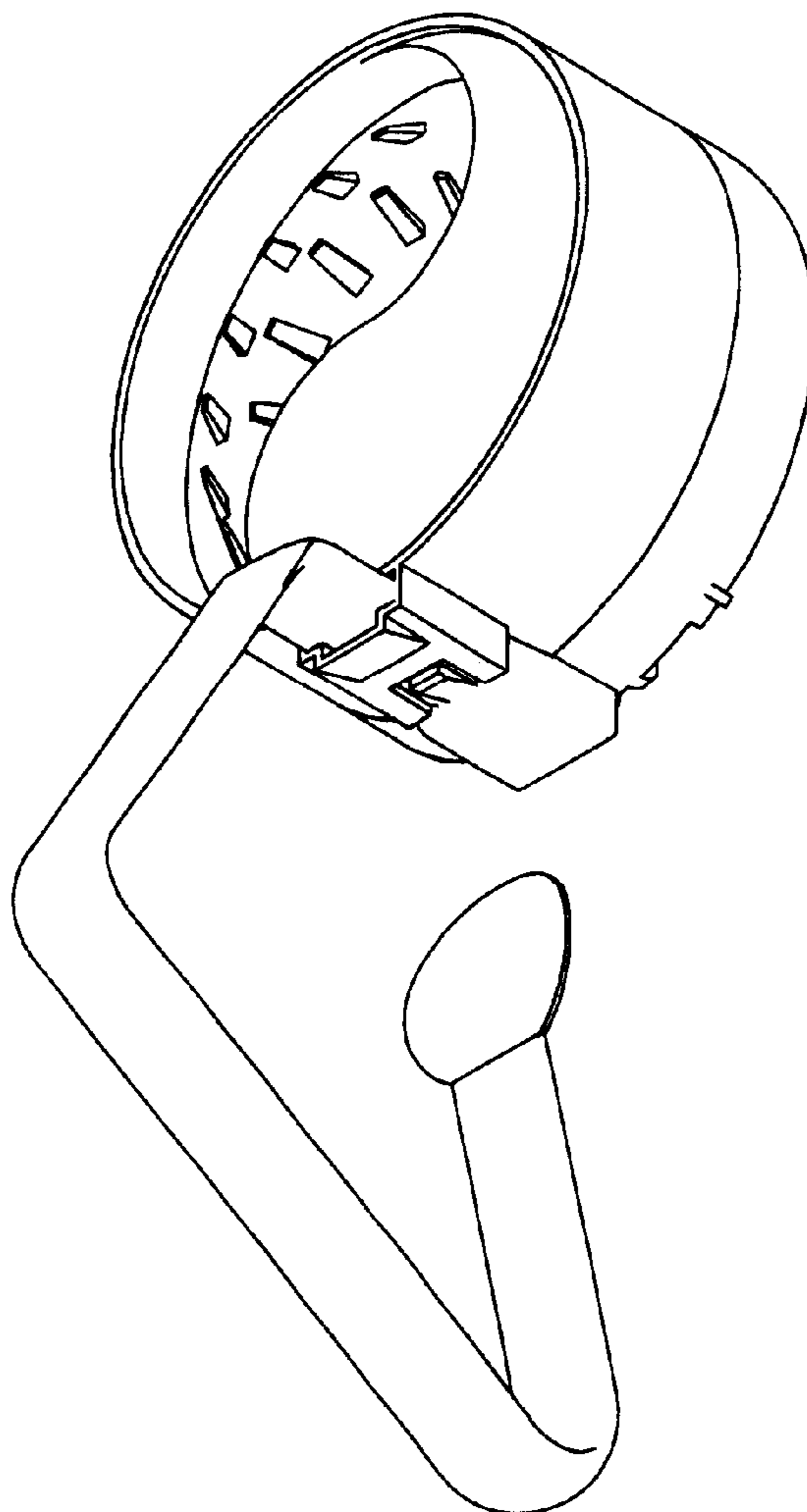
FIG. 1 is perspective view of my new design
FIG. 2 is a top plan view thereof;
FIG. 3 is a bottom plan view thereof;
FIG. 4 is a front view thereof;
FIG. 5 is a rear view thereof;
FIG. 6 is a right side view thereof; and,
FIG. 7 is a left side view thereof.

(56) **References Cited**

U.S. PATENT DOCUMENTS

D481,099 S * 10/2003 Legeay D23/208
D484,566 S * 12/2003 Legeay D23/208
D508,106 S * 8/2005 Nguyen et al. D23/208

1 Claim, 7 Drawing Sheets



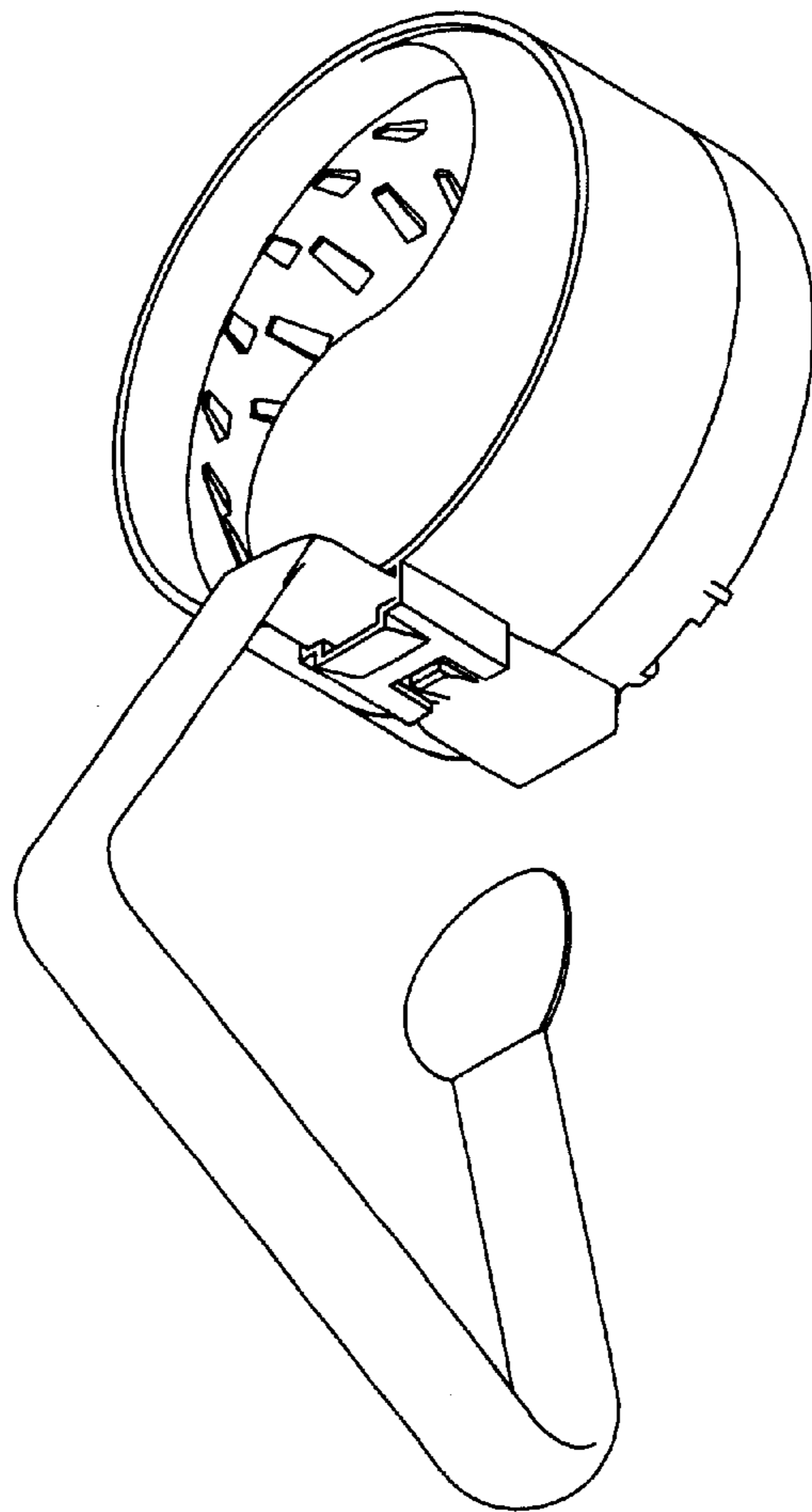


Fig. 1

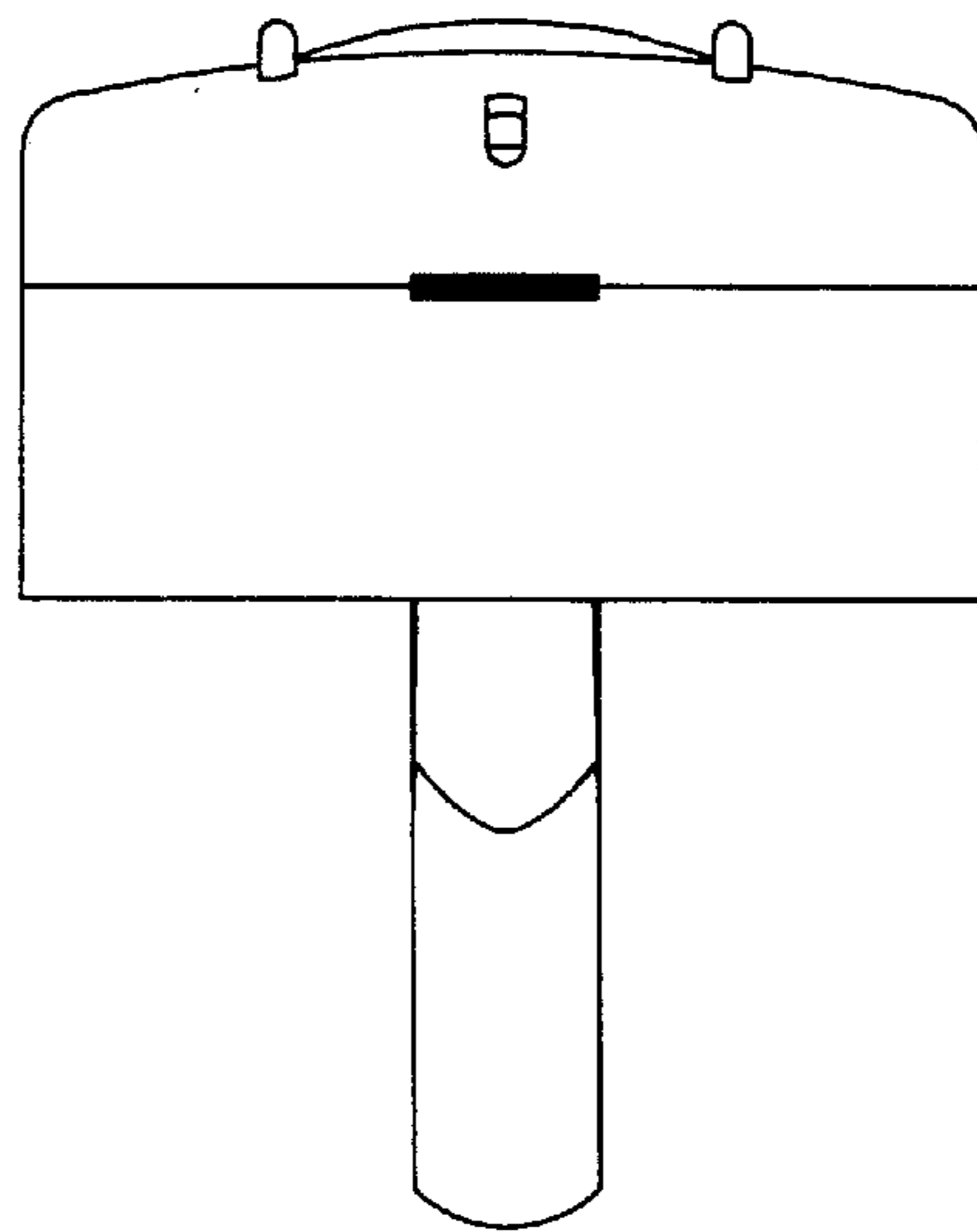


Fig. 2

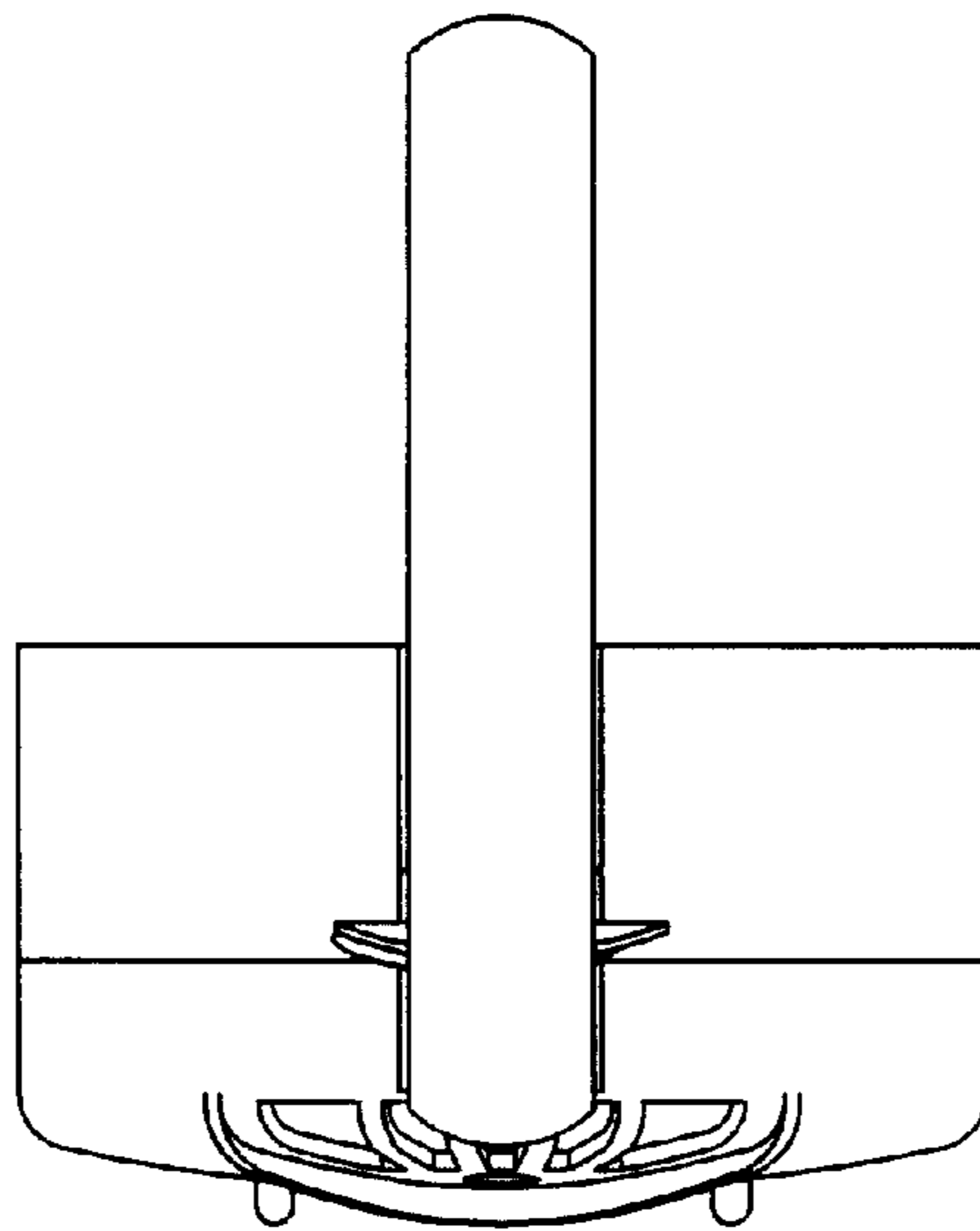


Fig. 3

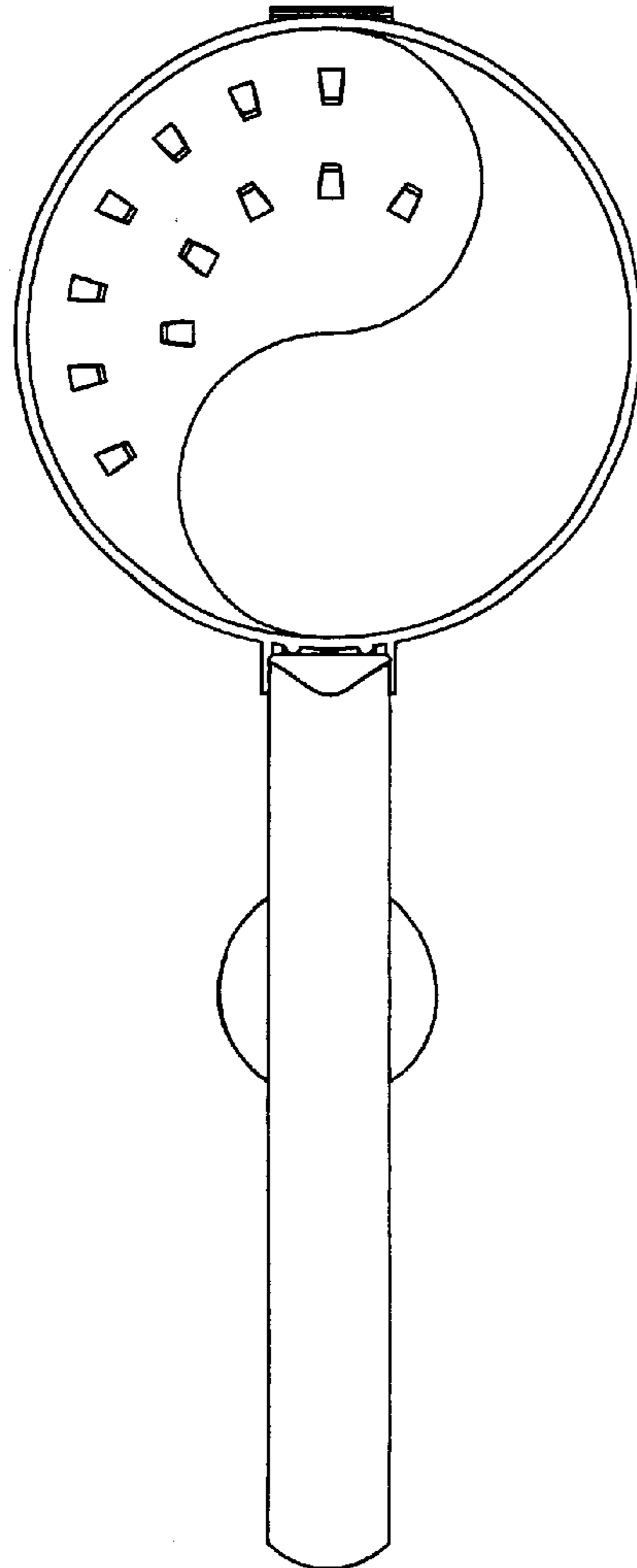


Fig. 4

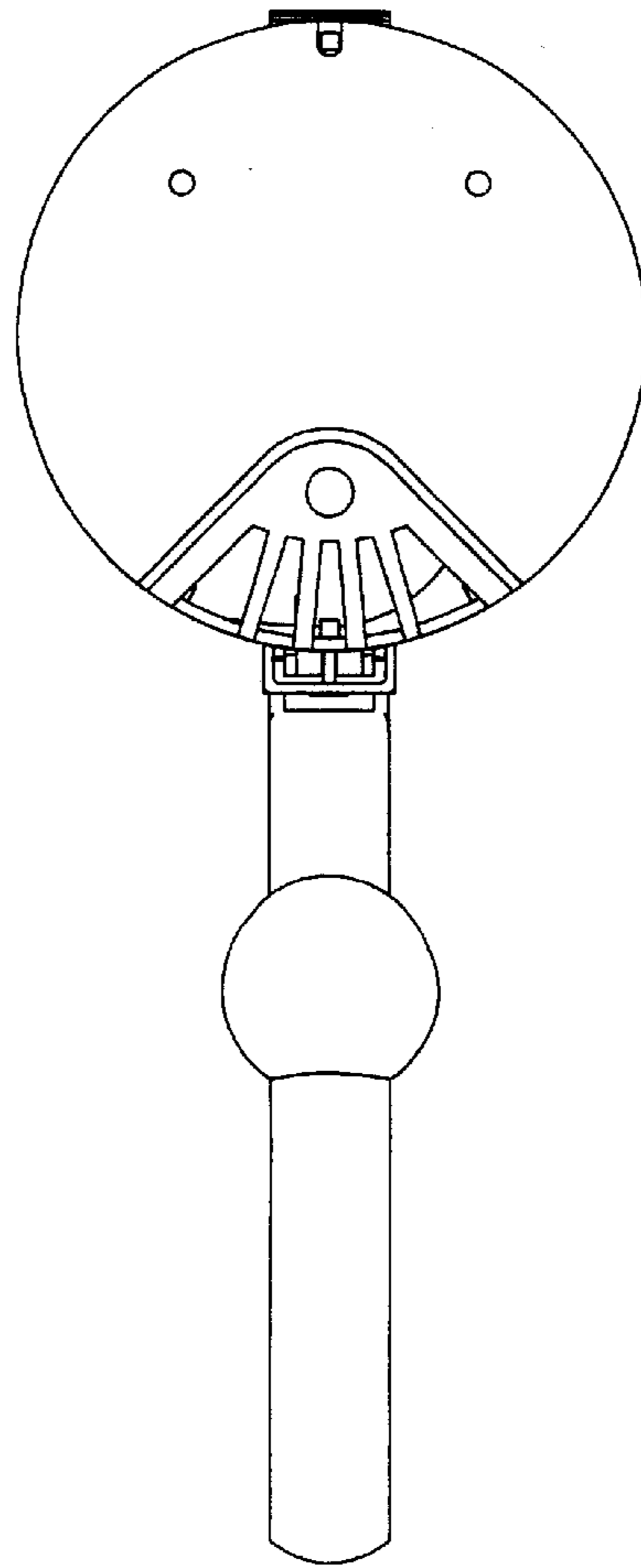


Fig. 5

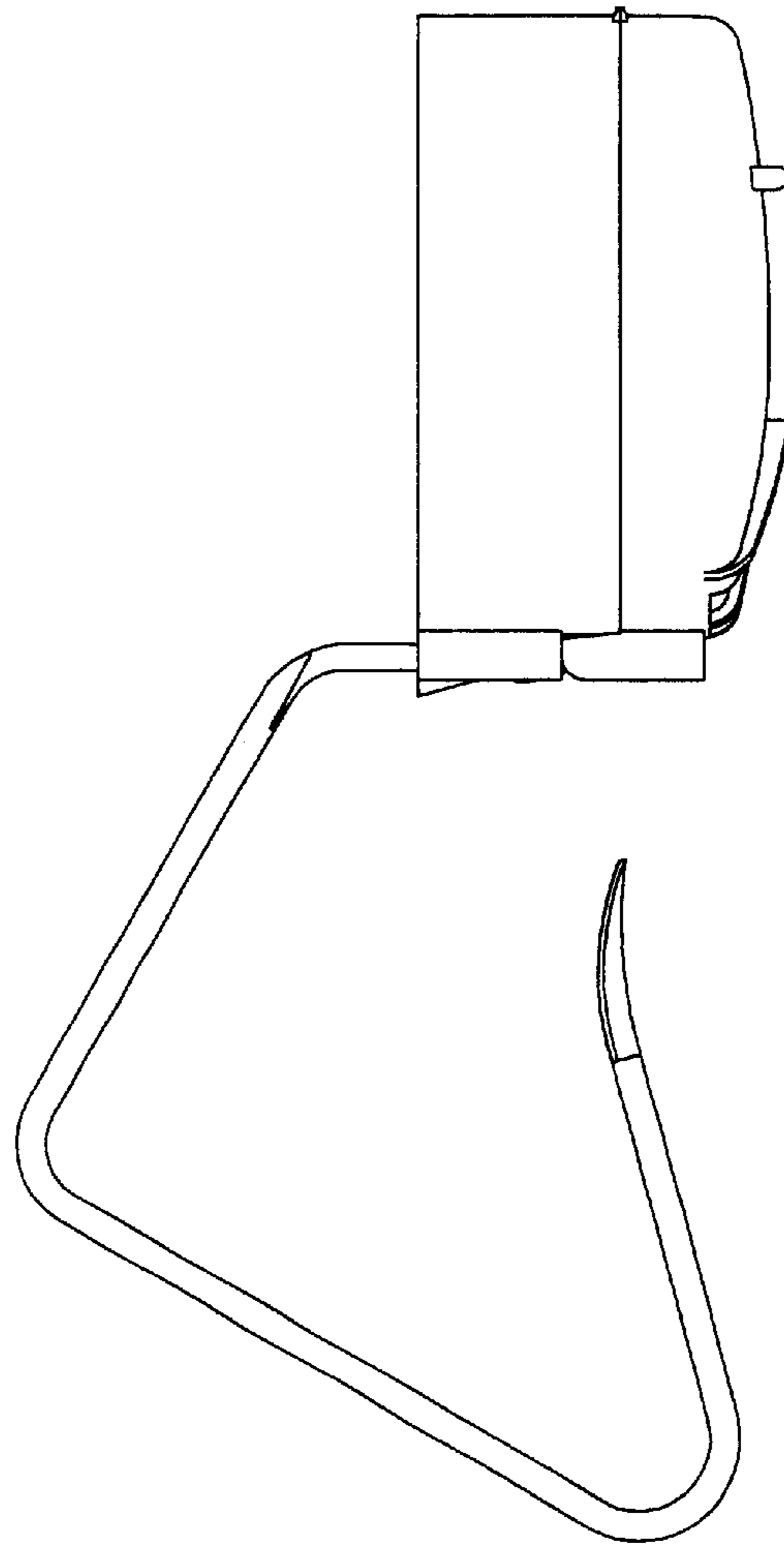


Fig. 6

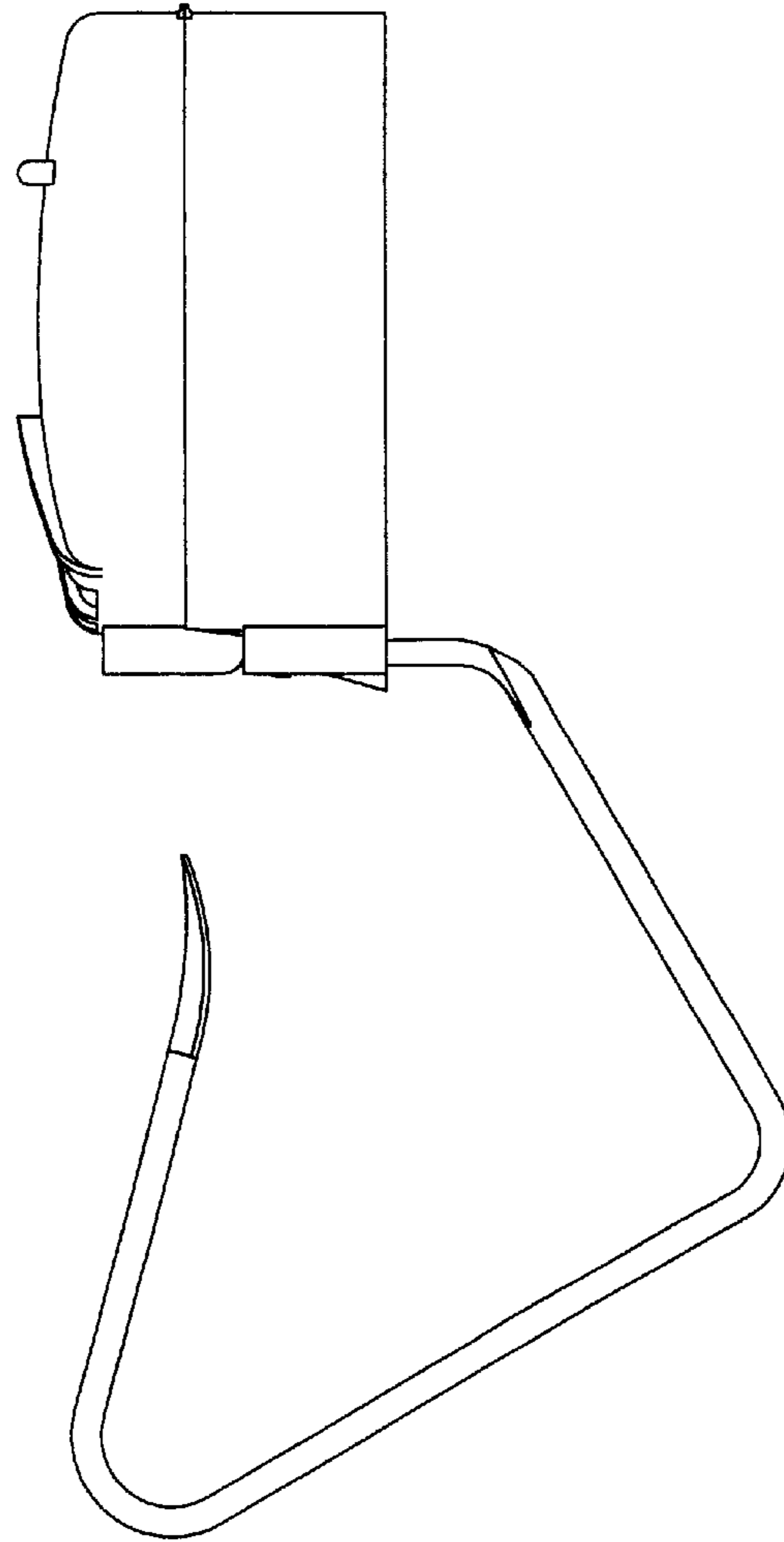


Fig. 7