

US00D543257S

(12) **United States Design Patent**
Kaempfe et al.

(10) **Patent No.:** **US D543,257 S**

(45) **Date of Patent:** **** May 22, 2007**

(54) **DRAGGING DEVICE FOR MOVING GAME ANIMAL**

3,540,637 A * 11/1970 Robins et al. 224/103
D502,756 S * 3/2005 Birdwell et al. D22/199
D509,881 S * 9/2005 Waltrip D22/199

(76) Inventors: **Curtis R. Kaempfe**, HC 2 Box 2025,
Annapolis, MO (US) 63620-9756;
Lance Kaempfe, HC 2 Box 2025,
Annapolis, MO (US) 63620-9756

* cited by examiner

Primary Examiner—Catherine R. Oliver

(**) **Term:** **14 Years**

(57) **CLAIM**

The ornamental design for a dragging device for moving game animal, as shown and described.

(21) **Appl. No.:** **29/259,212**

(22) **Filed:** **May 4, 2006**

DESCRIPTION

(51) **LOC (8) Cl.** **22-99**

(52) **U.S. Cl.** **D22/199**

(58) **Field of Classification Search** D22/199,
D22/119; 224/103, 921, 259-260, 638; 294/81.56,
294/74, 137, 142, 81.2

FIG. 1 is a perspective view of our design;

FIG. 2 is a top view of our design;

FIG. 3 is a bottom view of our design;

FIG. 4 is a front view of our design; and,

FIG. 5 is a side view of our design.

See application file for complete search history.

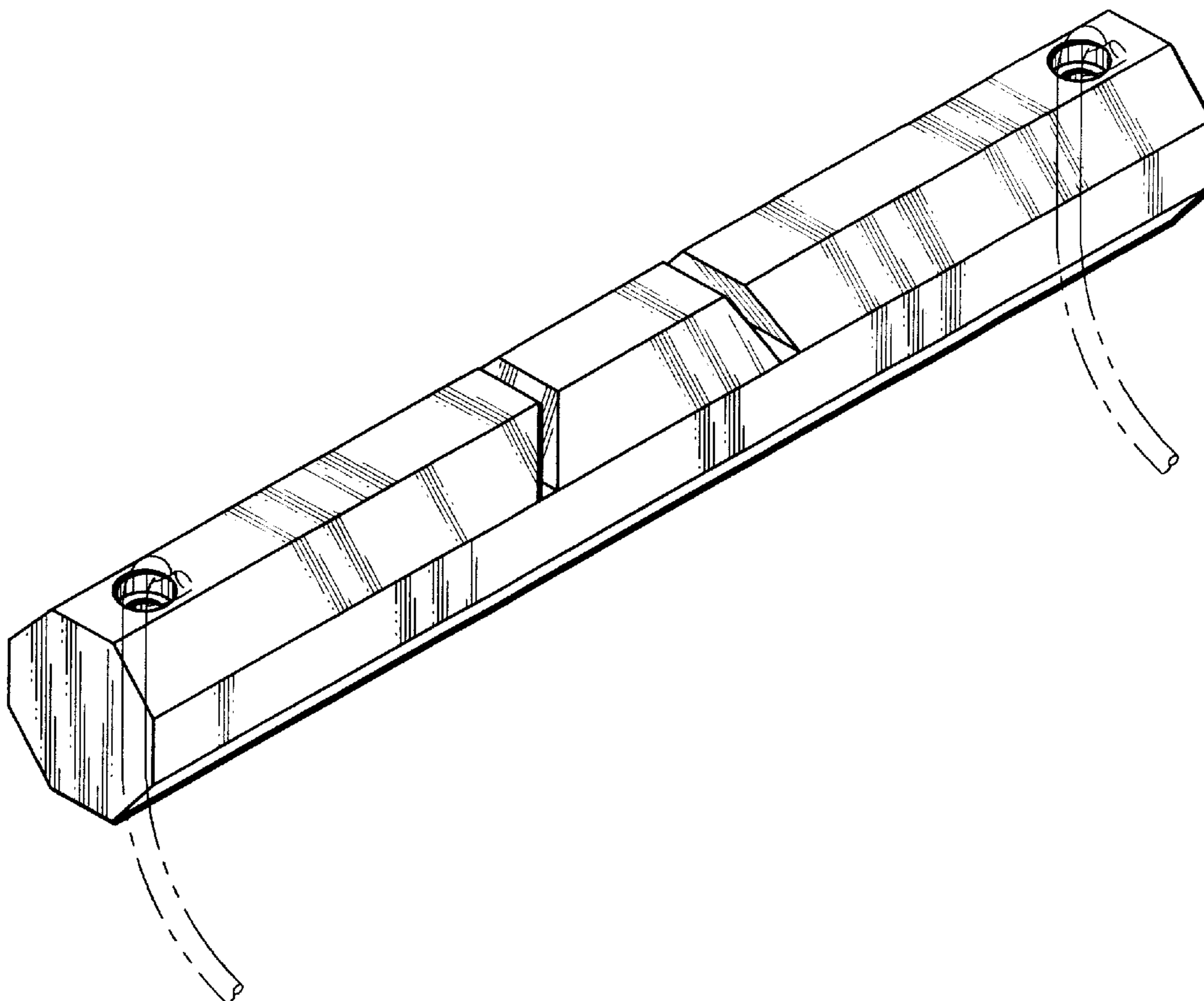
The features shown in broken lines, if any, are shown for illustrative purpose only and form no part of the claimed design.

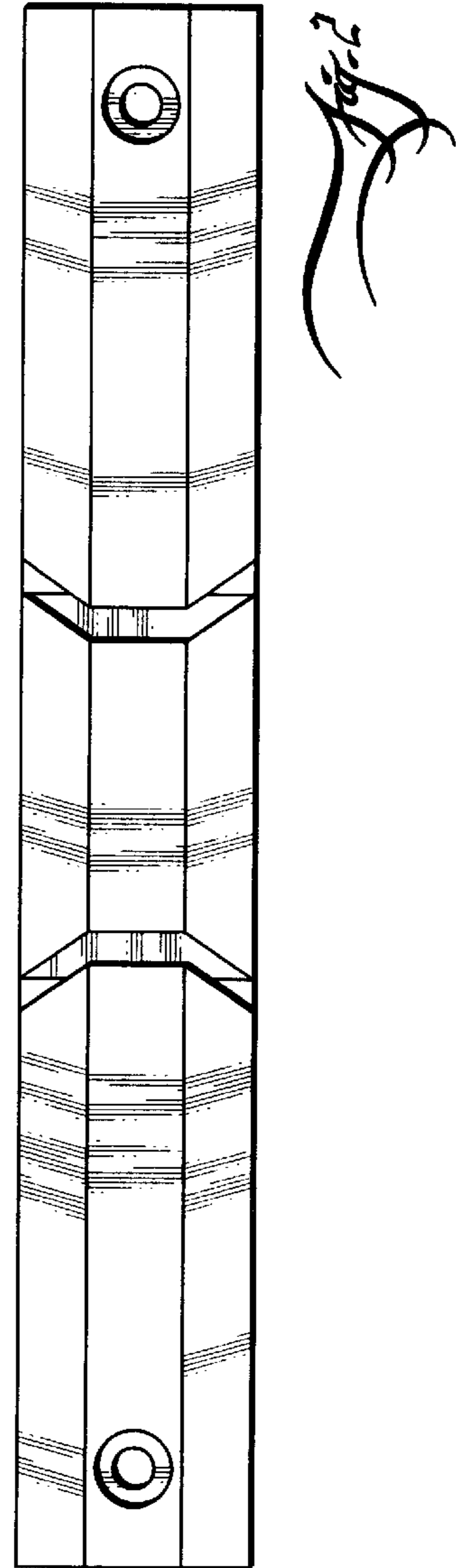
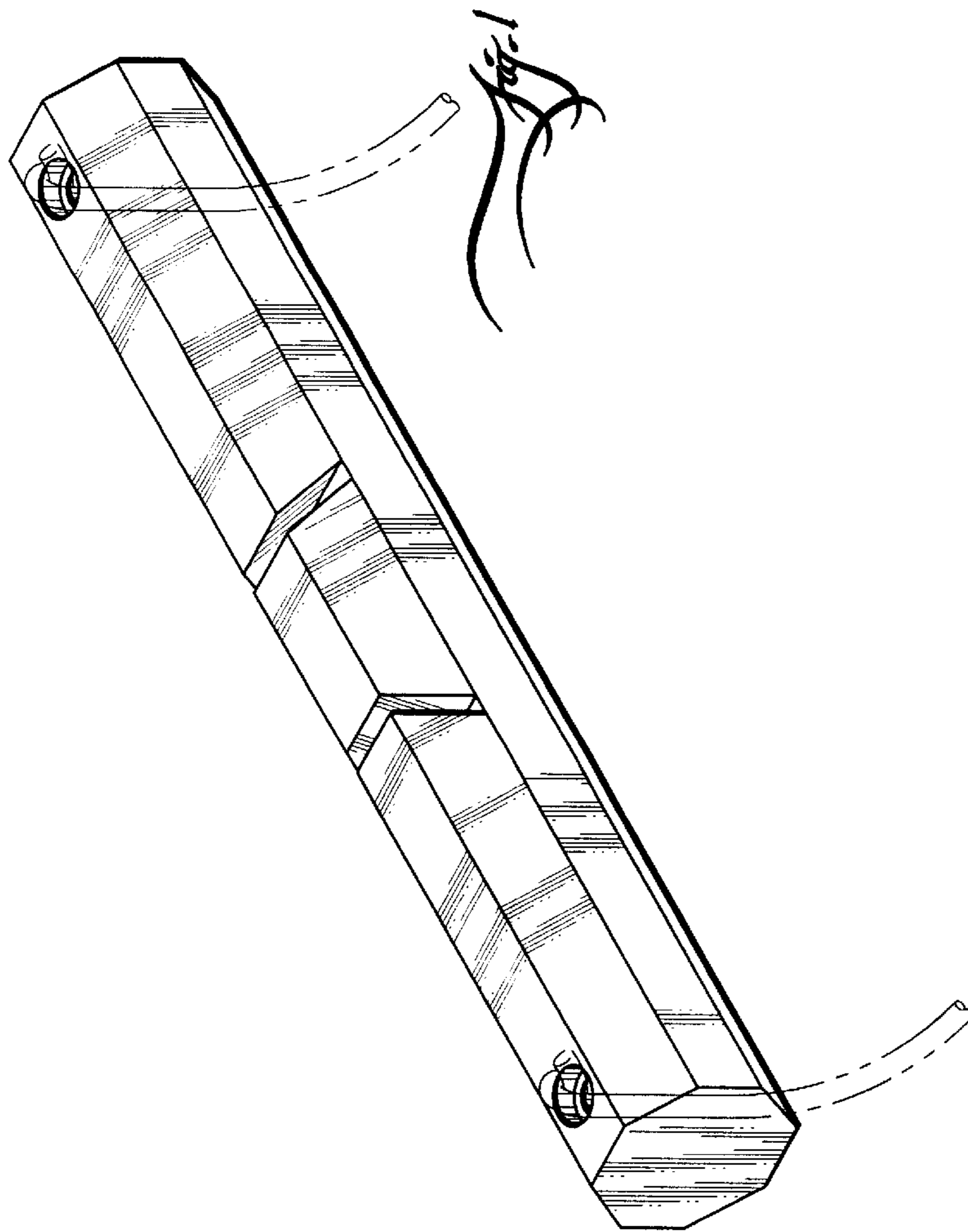
(56) **References Cited**

U.S. PATENT DOCUMENTS

2,809,069 A * 10/1957 Neel 452/192

1 Claim, 2 Drawing Sheets





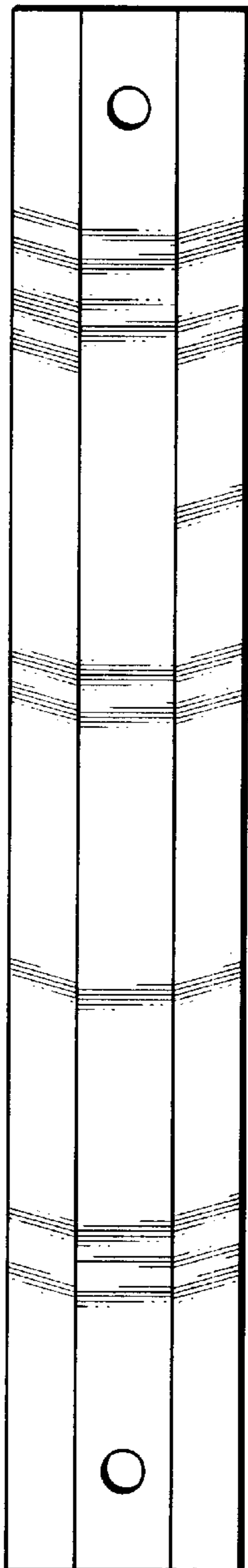


Fig. 3

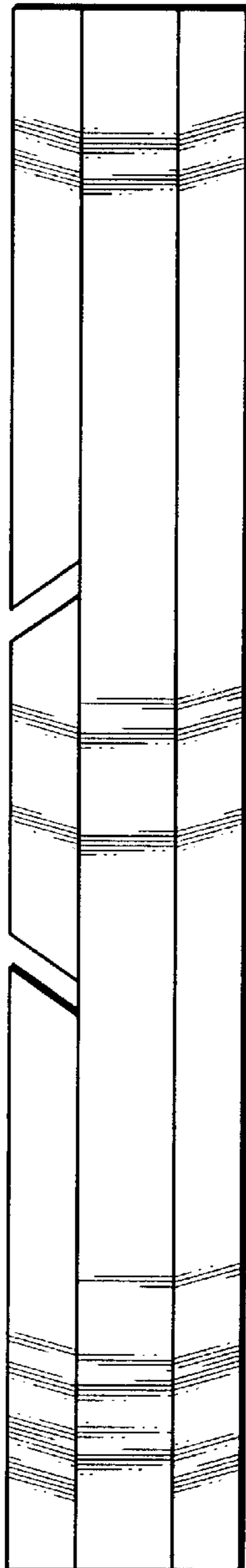


Fig. 4

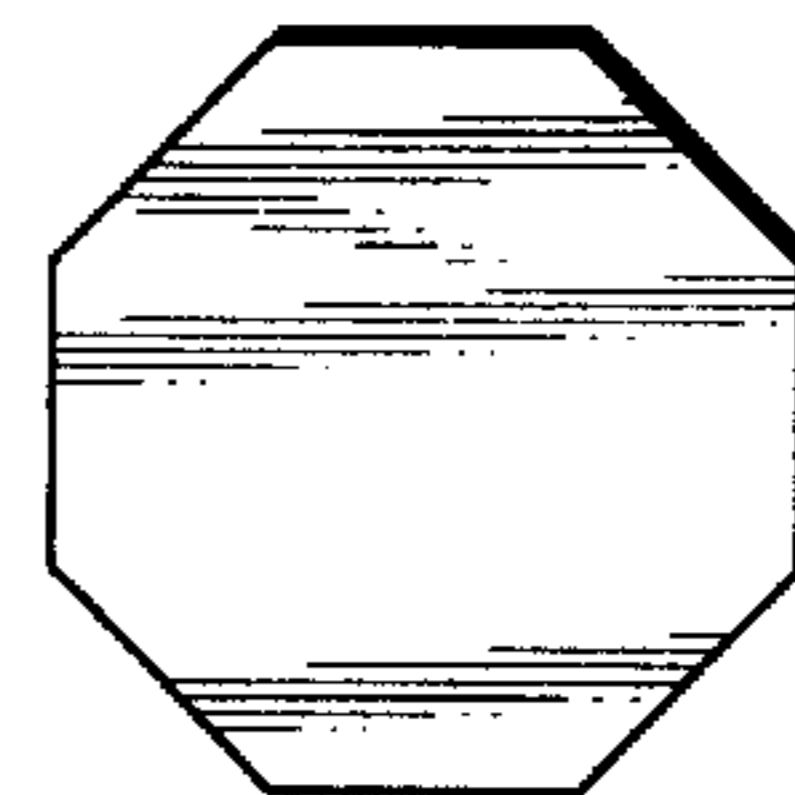


Fig. 5