



US00D543256S

(12) **United States Design Patent**
Chen

(10) **Patent No.:** **US D543,256 S**

(45) **Date of Patent:** **** *May 22, 2007**

(54) **SOLAR POWERED INSECT
EXTERMINATOR**

(75) Inventor: **Chi Gon Chen**, Guang Zhou (CN)

(73) Assignee: **International Development
Corporation**, Roanoke, TX (US)

(*) Notice: This patent is subject to a terminal disclaimer.

(**) Term: **14 Years**

(21) Appl. No.: **29/256,824**

(22) Filed: **Mar. 23, 2006**

(51) **LOC (8) Cl.** **22-06**

(52) **U.S. Cl.** **D22/123**

(58) **Field of Classification Search** D22/119-125;
43/107, 112-113, 124, 131; D26/37, 67-70
See application file for complete search history.

(56) **References Cited**

U.S. PATENT DOCUMENTS

D217,086 S	*	4/1970	Miller	D22/123
D291,226 S	*	8/1987	Wan	D22/123
D292,306 S	*	10/1987	Rottenberg	D22/123
D293,014 S	*	12/1987	Davis	D22/123

D302,577 S	*	8/1989	Lee	D22/123
D335,910 S	*	5/1993	Cheshire, Jr.	D22/123
D349,746 S	*	8/1994	DeYoreo	D22/122
D370,313 S	*	5/1996	Nottingham et al.	D30/111
D440,339 S	*	4/2001	Landefeld	D26/68
D441,115 S	*	4/2001	Ewing	D26/68
D524,902 S	*	7/2006	Masters et al.	D22/122

* cited by examiner

Primary Examiner—Catherine R. Oliver

(74) *Attorney, Agent, or Firm*—Strasburger & Price LLP

(57) **CLAIM**

The ornamental design for a solar powered insect exterminator, as shown and described.

DESCRIPTION

FIG. 1 is a front elevational view of the solar powered insect exterminator;

FIG. 2 is a rear elevational view;

FIG. 3 is a left side elevational view;

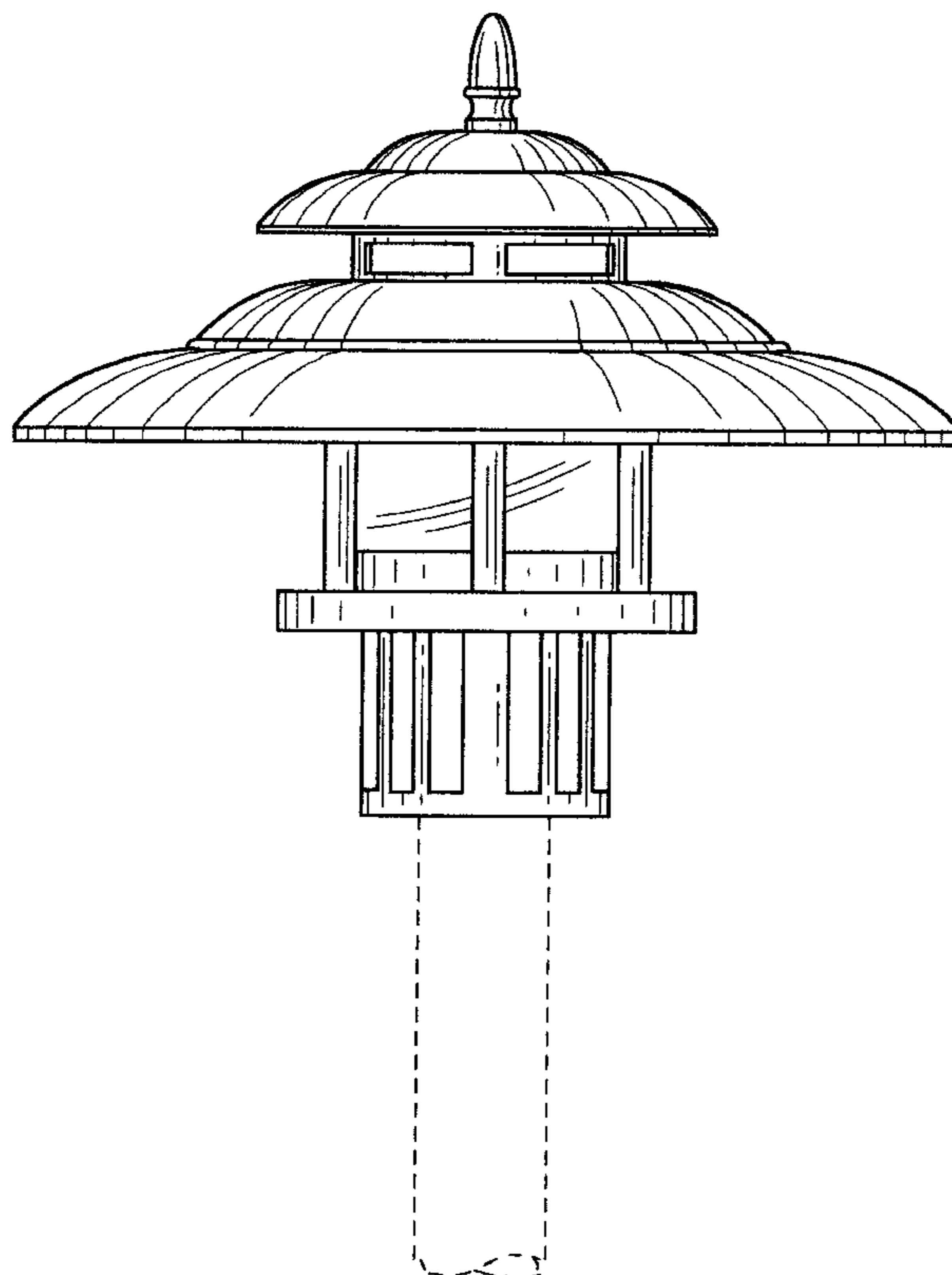
FIG. 4 is a right side elevational view;

FIG. 5 is a top view; and,

FIG. 6 is a bottom view.

The broken line showing of environment in the drawing is included for the purpose of illustrating only and forms no part of the claimed design.

1 Claim, 3 Drawing Sheets



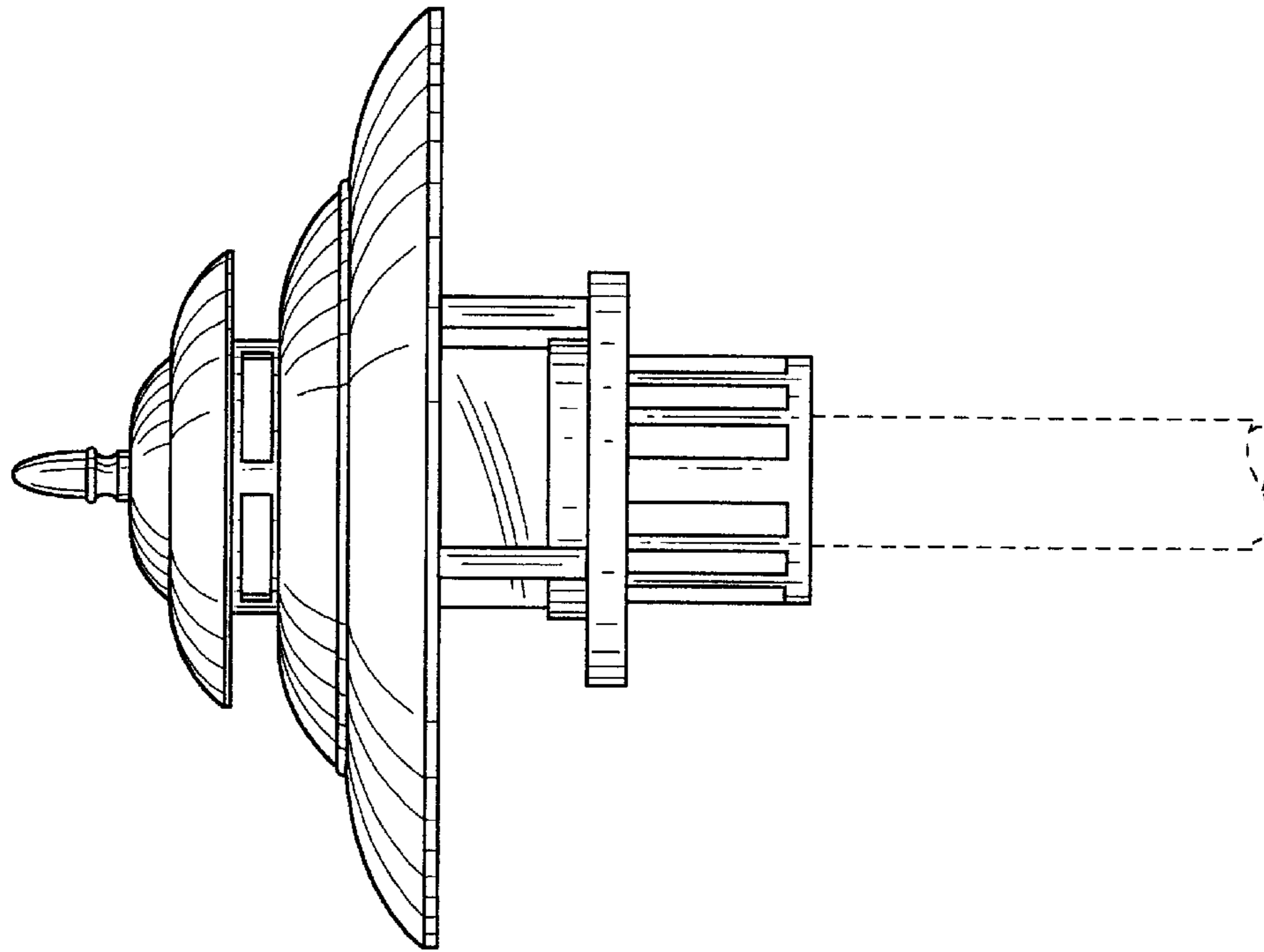


Fig. 1

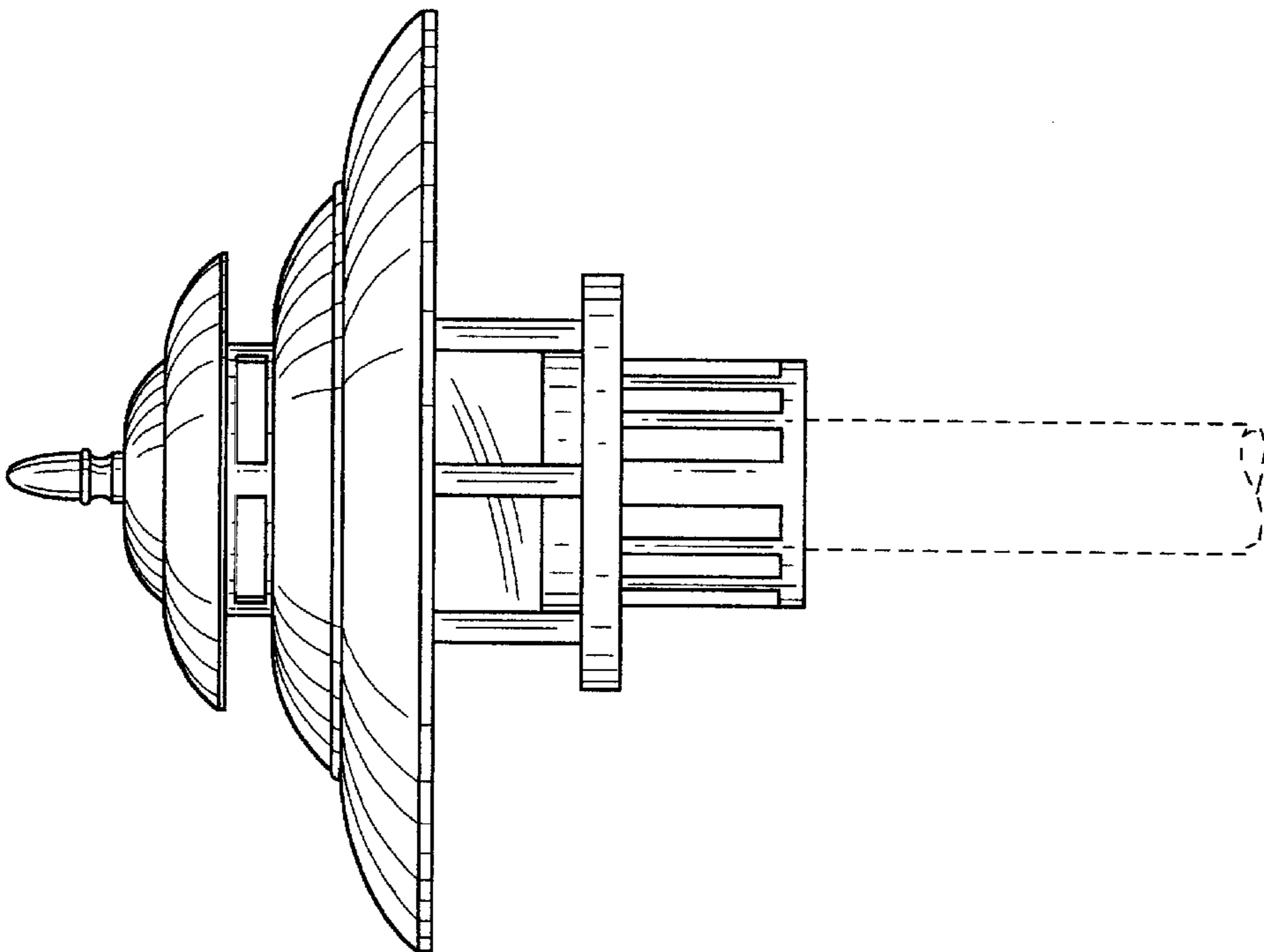


Fig. 2

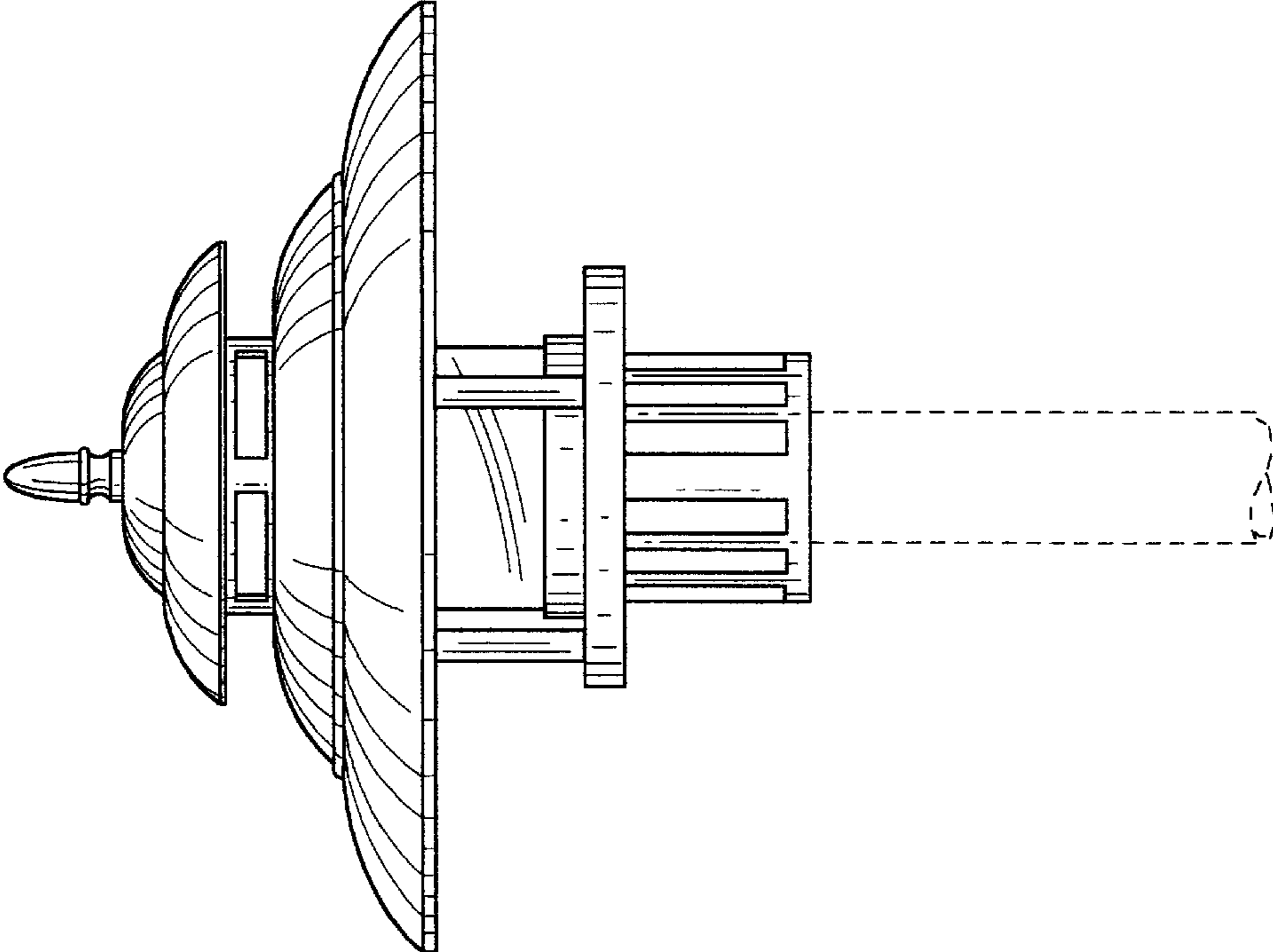


Fig. 4

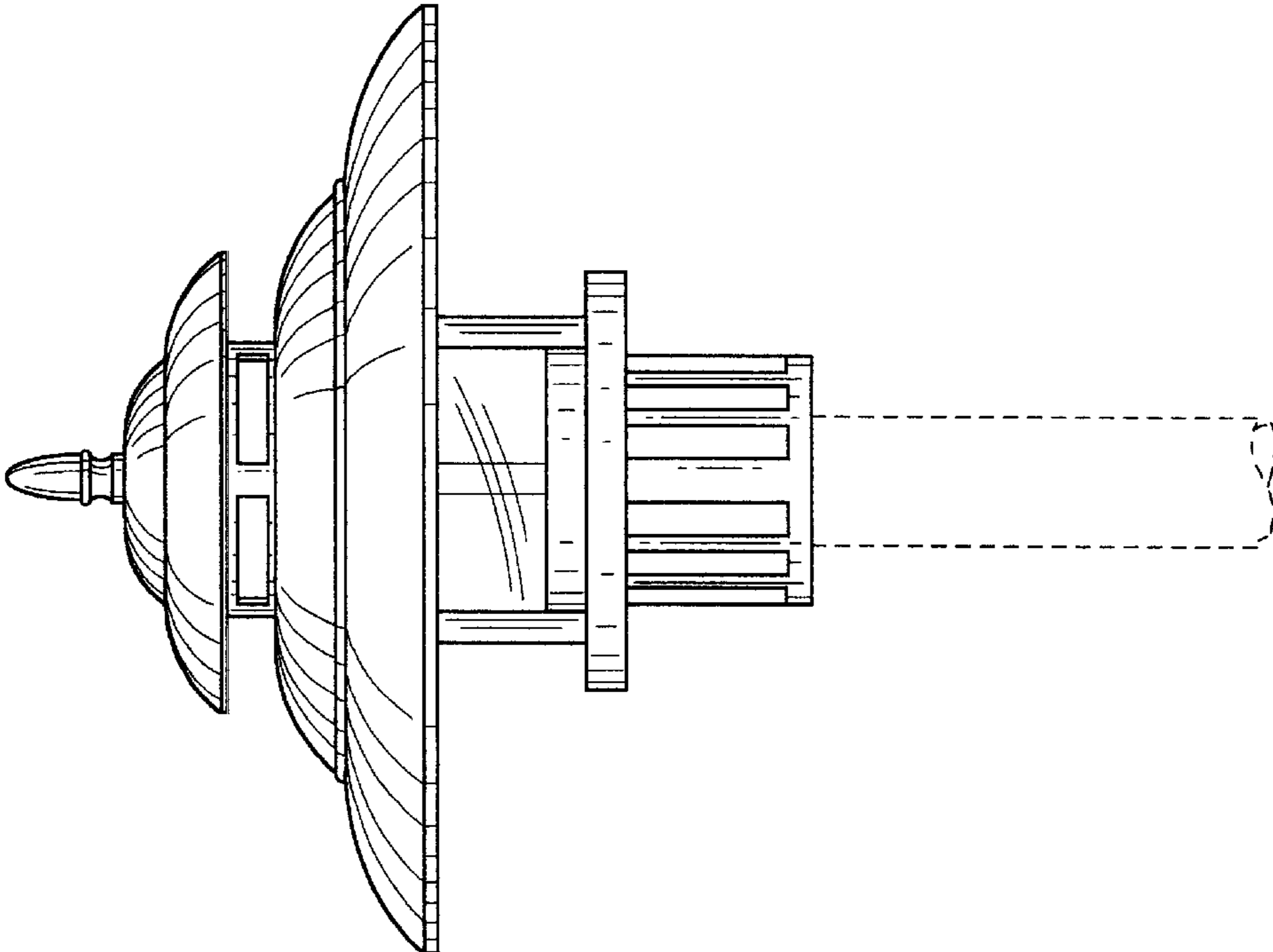


Fig. 3

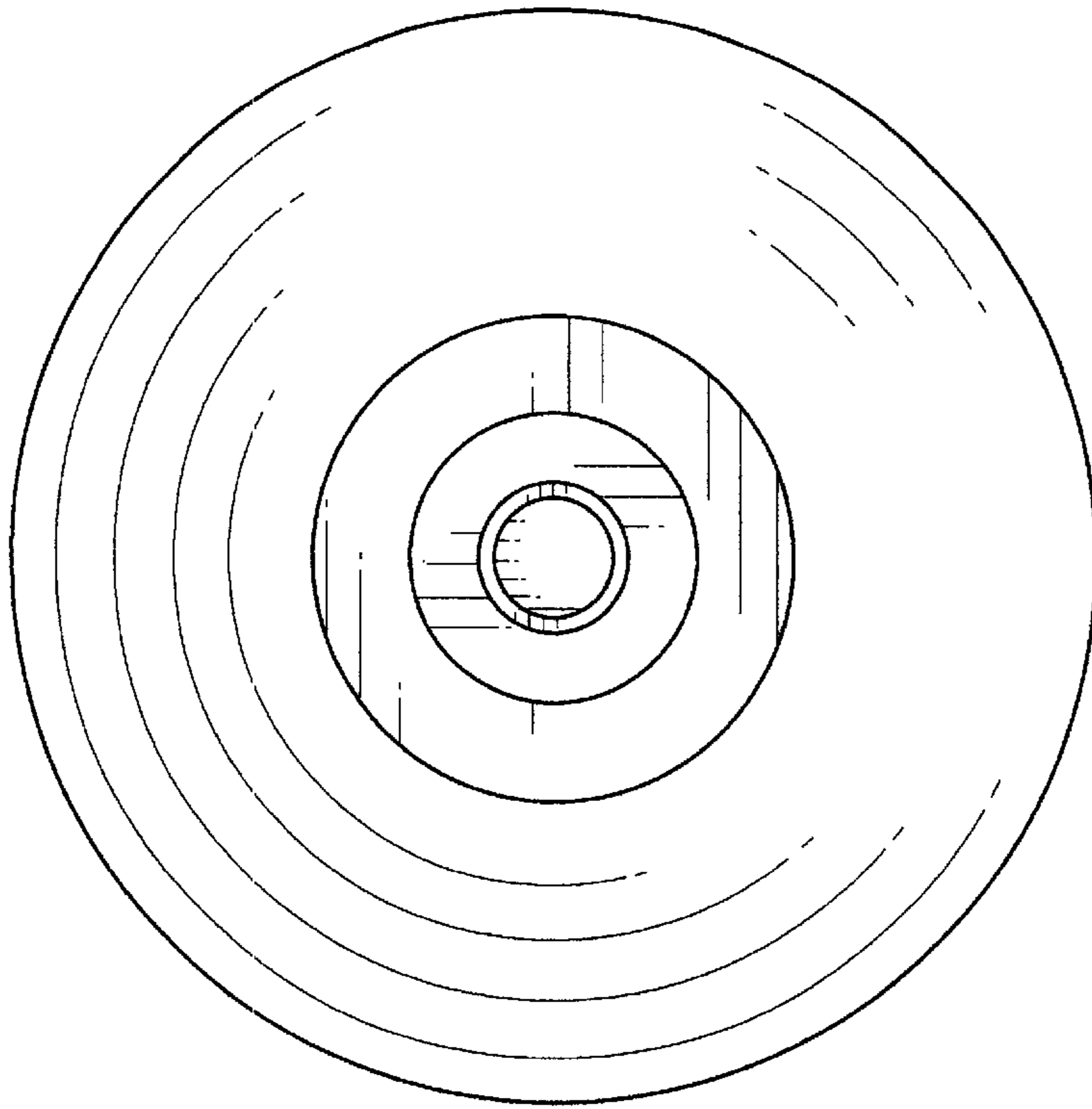


Fig. 6

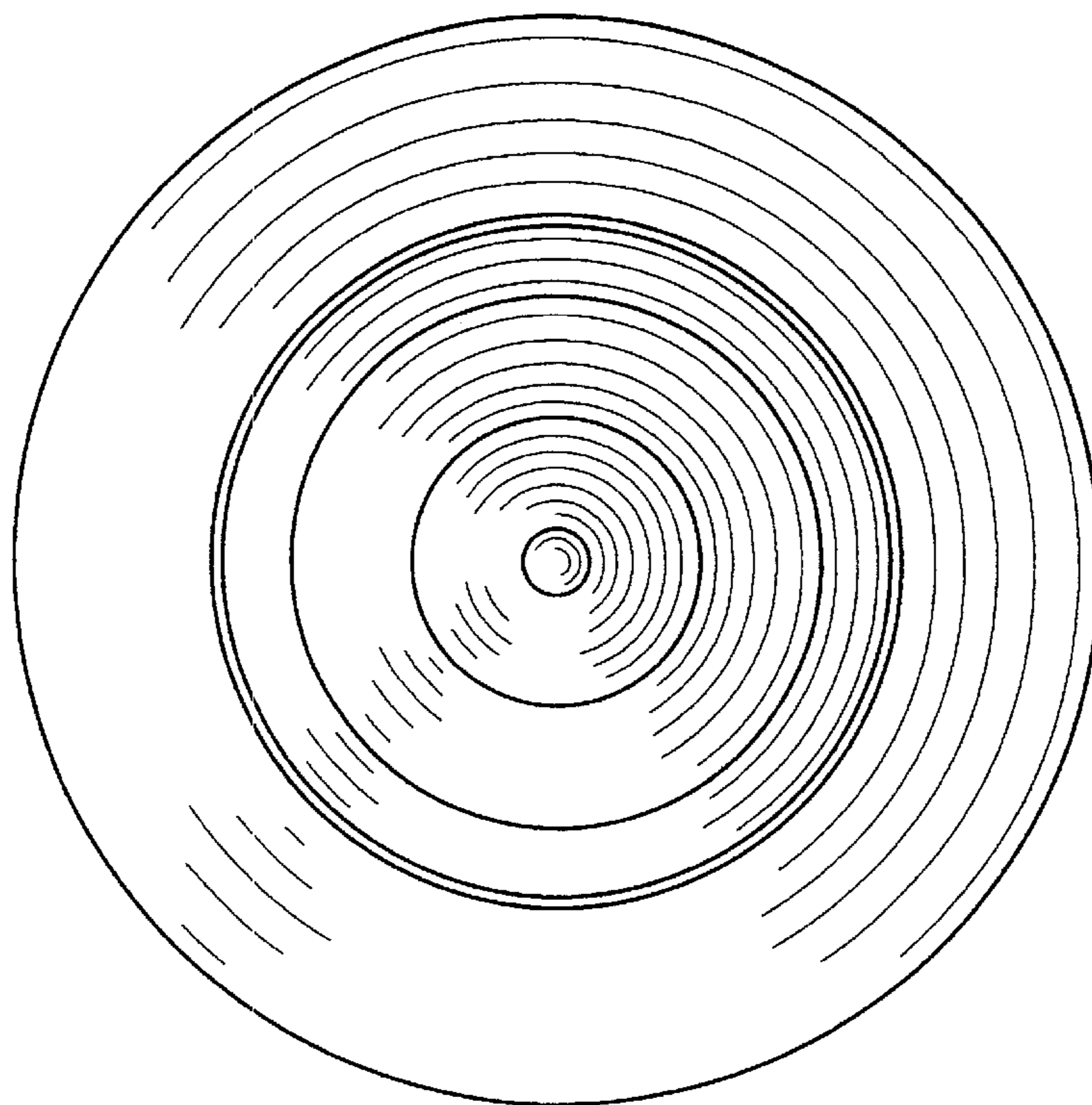


Fig. 5