

US00D543252S

(12) **United States Design Patent**
Haggstrom

(10) **Patent No.:** **US D543,252 S**

(45) **Date of Patent:** **** May 22, 2007**

(54) **GOLF PUTTER**

(75) Inventor: **Lars Haggstrom**, Danderyd (SE)

(73) Assignee: **Haggstrom & Co. AB**, Danderyd (SE)

(**) Term: **14 Years**

(21) Appl. No.: **29/251,287**

(22) Filed: **Jan. 6, 2006**

(30) **Foreign Application Priority Data**

Jul. 6, 2005 (EM) 000371968

(51) **LOC (8) Cl.** **21-02**

(52) **U.S. Cl.** **D21/736**

(58) **Field of Classification Search** D21/736-746;
473/324-331, 251-256, 340, 341

See application file for complete search history.

(56) **References Cited**

U.S. PATENT DOCUMENTS

2,957,696	A	*	10/1960	Warpotas	473/251
D234,960	S	*	4/1975	Swash	D21/739
D234,962	S	*	4/1975	Swash	D21/739
4,712,798	A	*	12/1987	Preato	473/239
5,082,277	A	*	1/1992	Gingold	473/250
5,620,379	A	*	4/1997	Borys	473/313
D434,819	S	*	12/2000	Hoare	D21/736
D440,267	S	*	4/2001	Stancin	D21/736
D460,990	S	*	7/2002	Jung	D21/736

FOREIGN PATENT DOCUMENTS

SE 78261-D ES 5/2005

* cited by examiner

Primary Examiner—Mitchell Siegel

(74) *Attorney, Agent, or Firm*—Dickstein Shapiro LLP

(57) **CLAIM**

The ornamental design for a golf putter, as shown and described.

DESCRIPTION

FIG. 1 is a top view of the golf putter of the present invention;

FIG. 2 is a bottom view of the golf putter of the present invention;

FIG. 3 is a side view of the golf putter of the present invention;

FIG. 4 is an opposite side view, of the golf putter of the present invention;

FIG. 5 is a rear side view of the golf putter of the present invention;

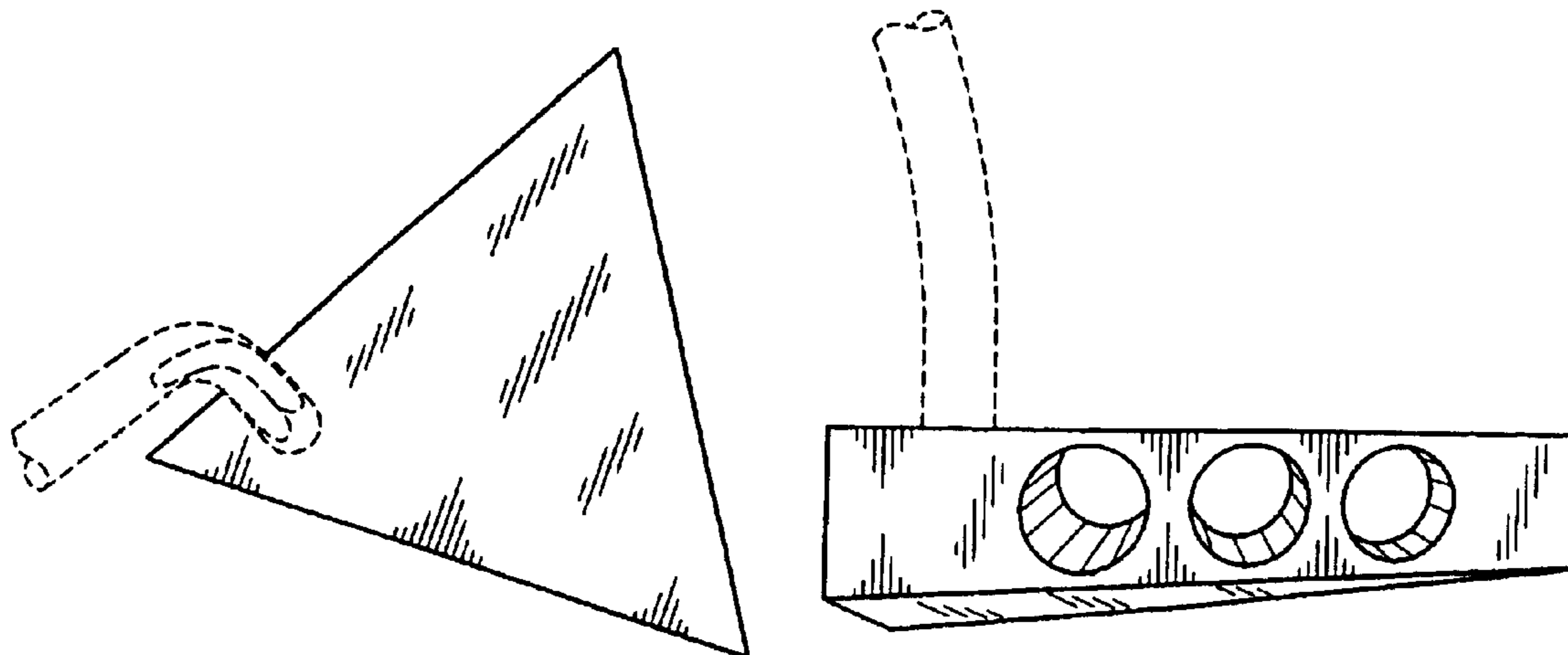
FIG. 6 is a front view of the golf putter of the present invention;

FIG. 7 is a top view of a second embodiment of the golf putter as disclosed in FIG. 1, the undisclosed side being identical to those in the first embodiment; and,

FIG. 8 is a top view of a third embodiment of the golf putter as disclosed in FIG. 1, the undisclosed sides being identical to those in the first embodiment.

The broken lines shown in FIGS. 1-8 are for illustrative purposes only and form no part of the claimed design.

1 Claim, 4 Drawing Sheets



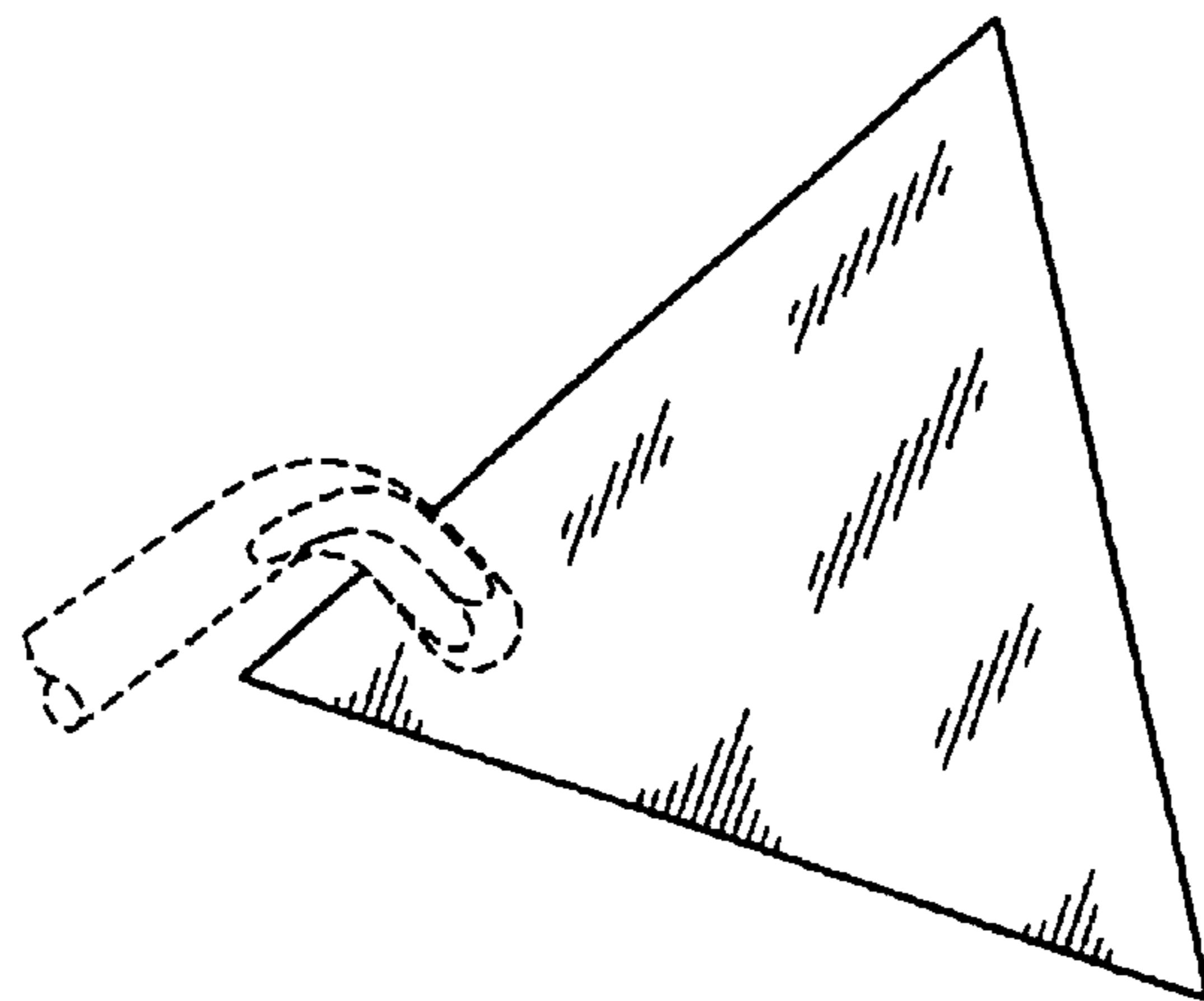


FIG. 1

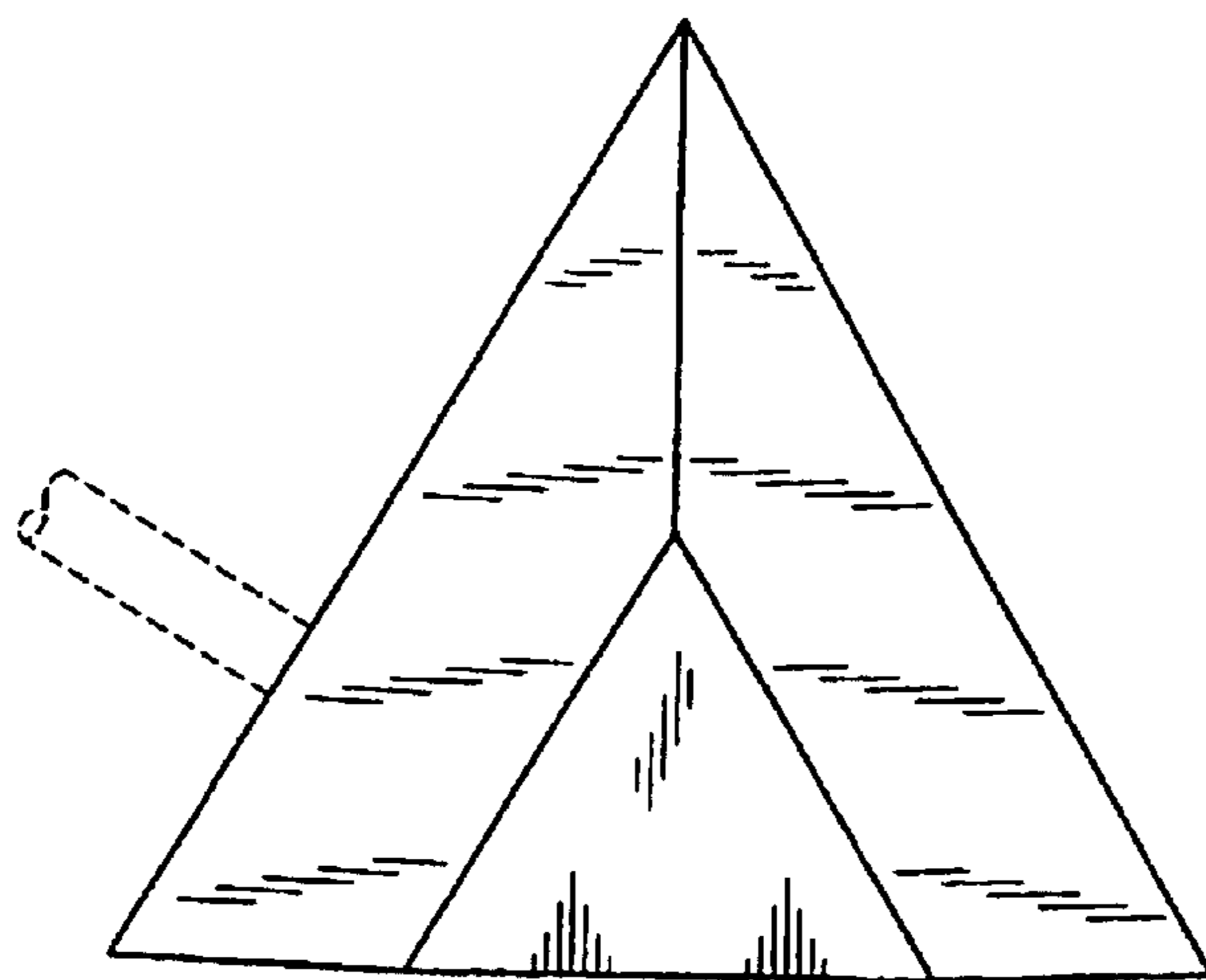


FIG. 2

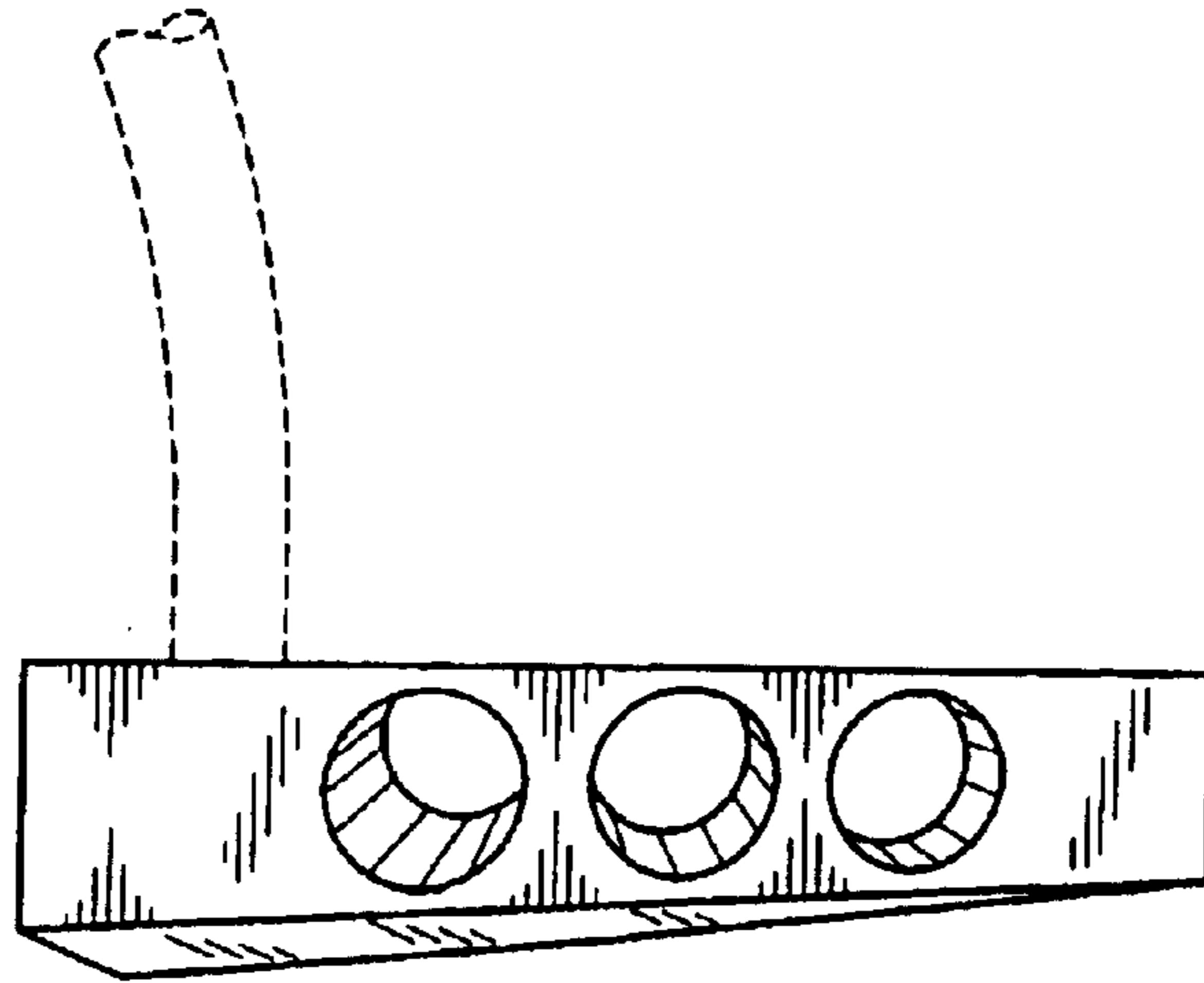


FIG. 3

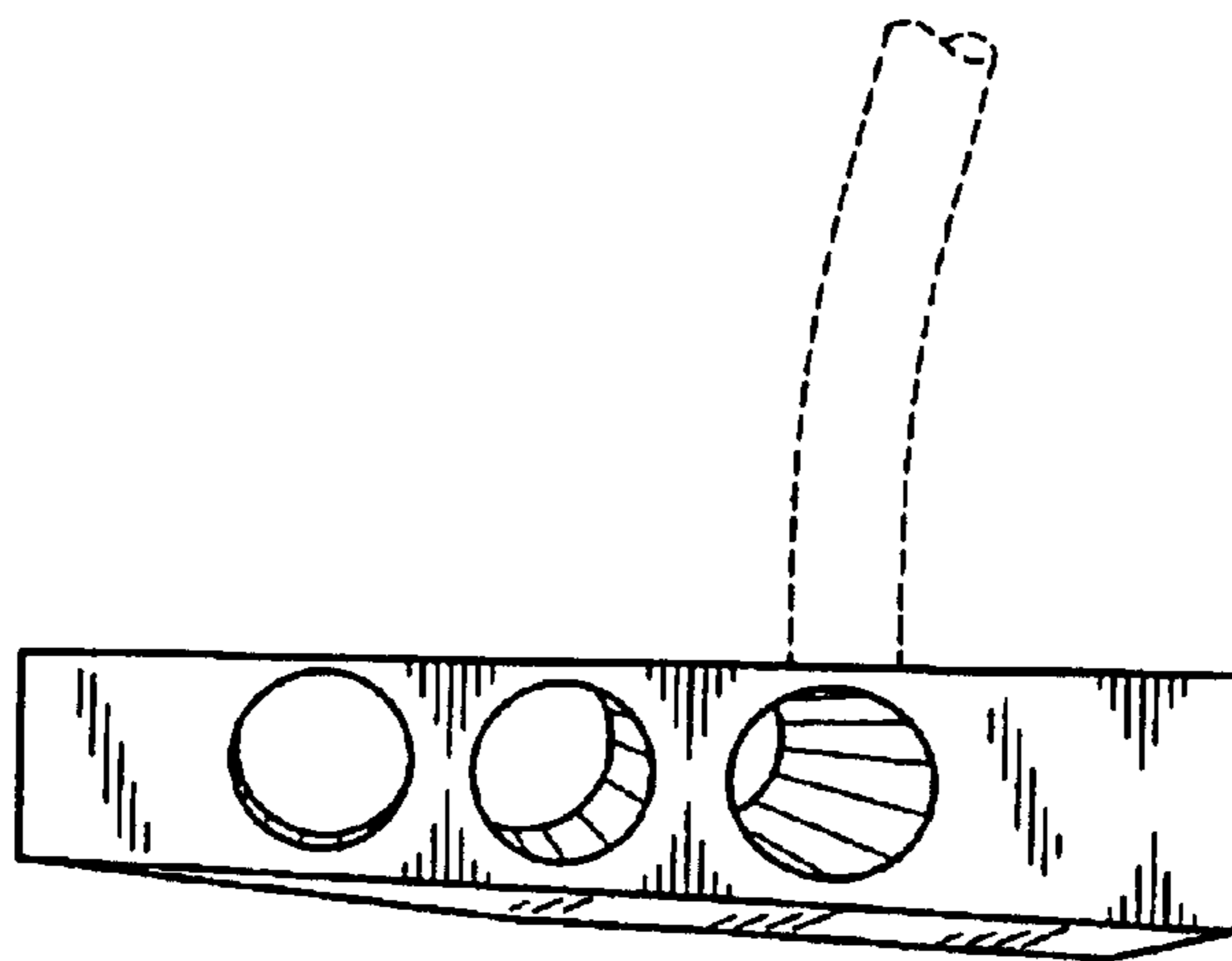


FIG. 4

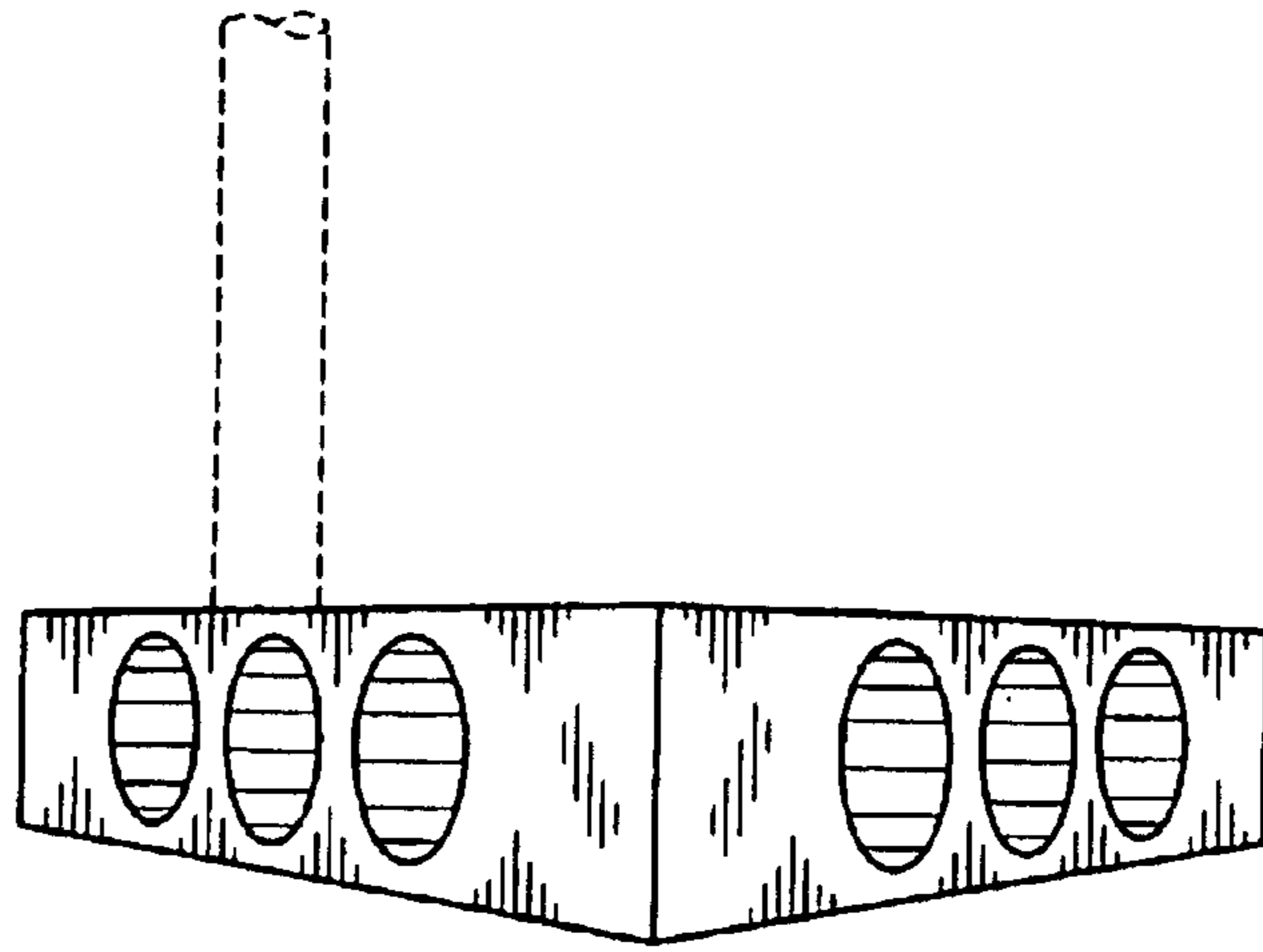


FIG. 5

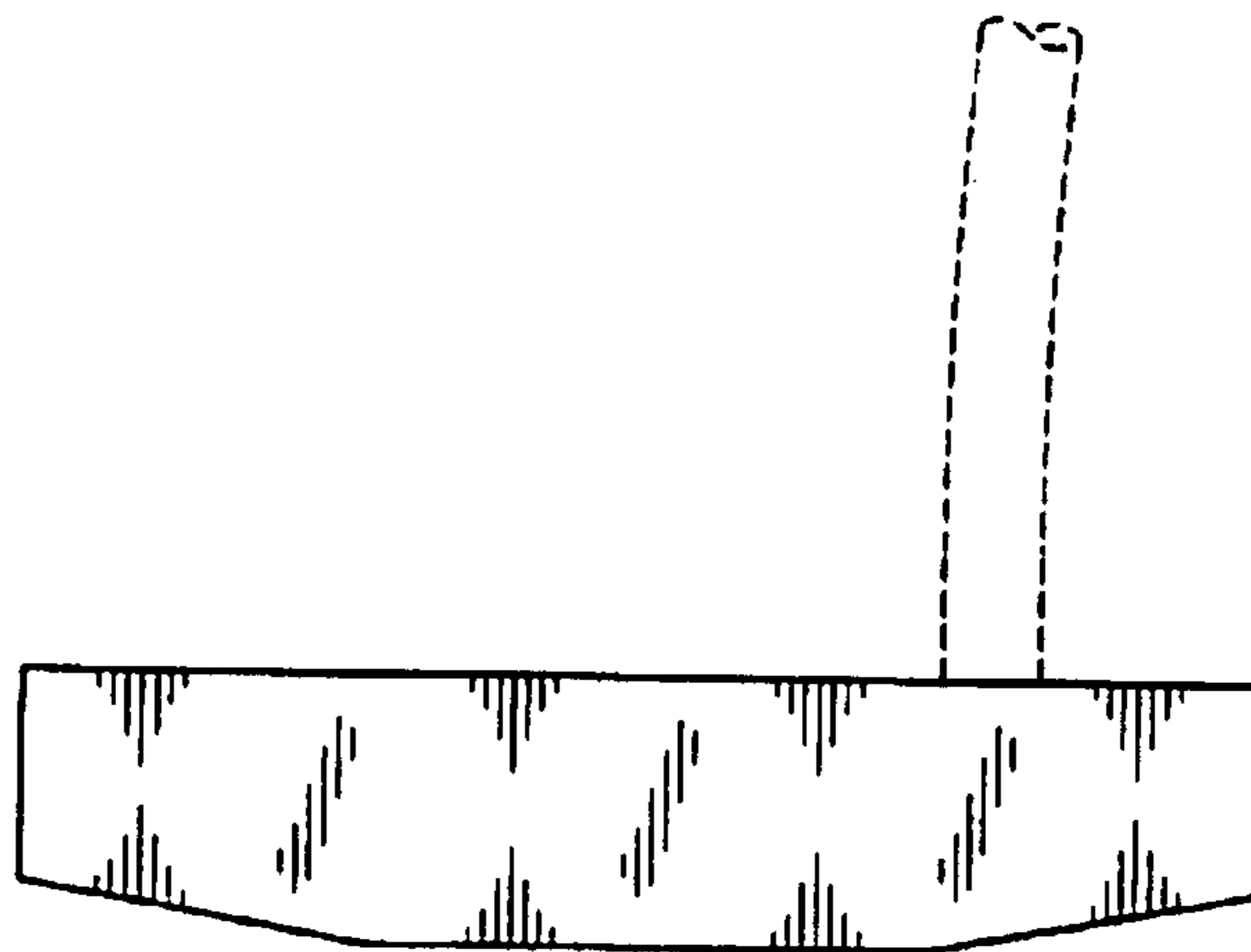


FIG. 6

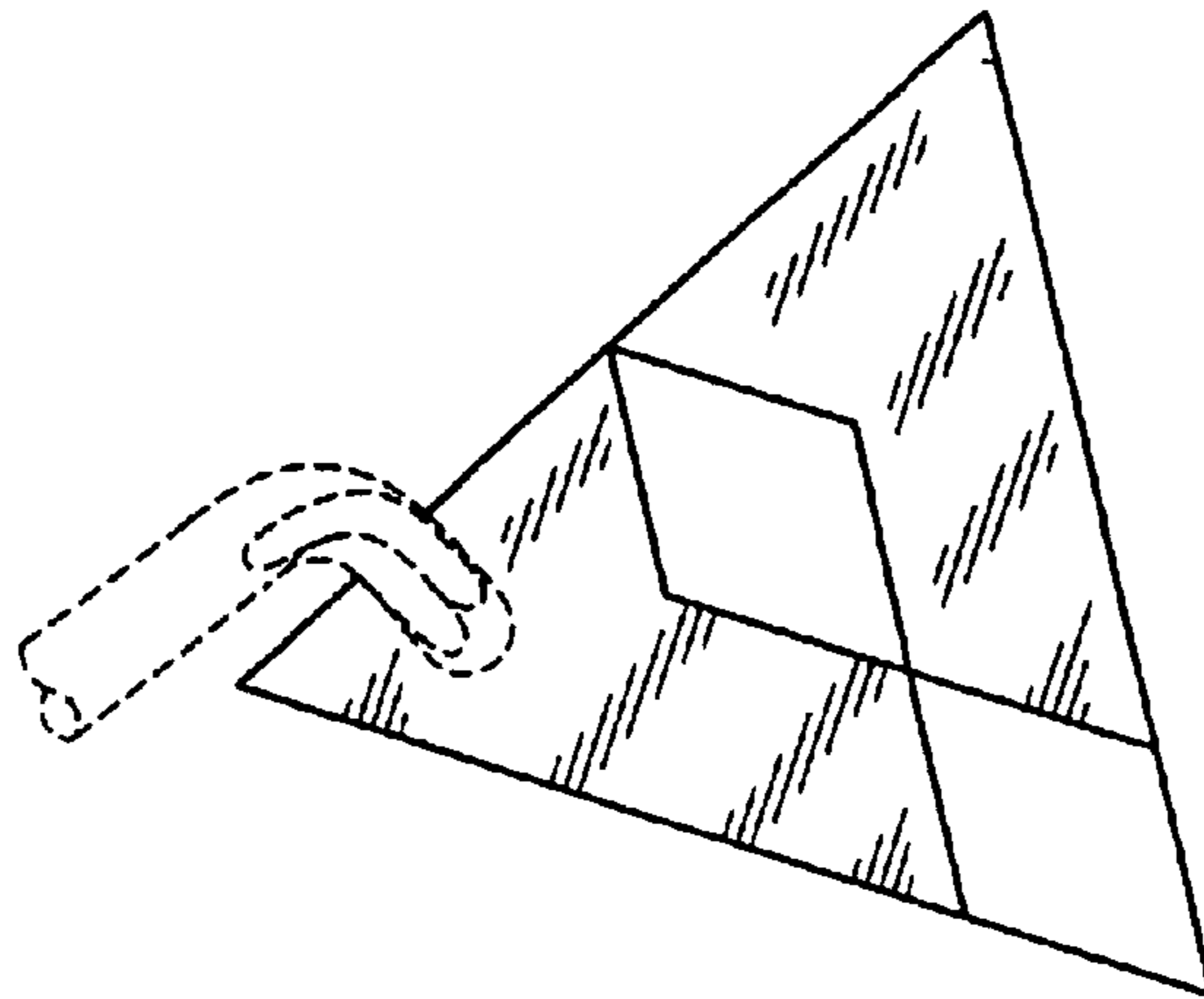


FIG. 7

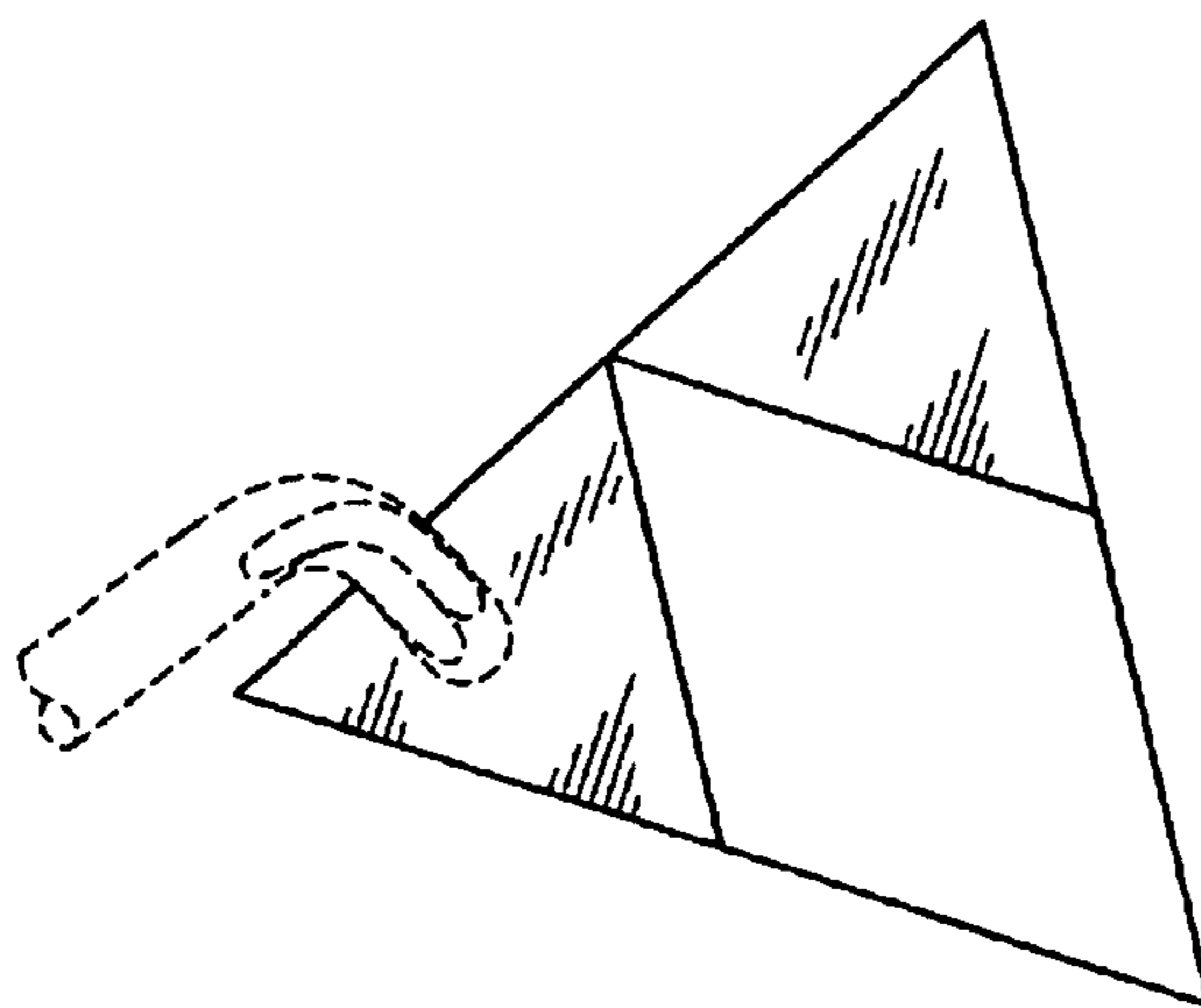


FIG. 8