

US00D543251S

(12) **United States Design Patent**
Kelliher

(10) **Patent No.:** **US D543,251 S**

(45) **Date of Patent:** **** May 22, 2007**

(54) **BUNTING BASEBALL TRAINING BAT**

D397,385 S * 8/1998 LaBorde et al. D21/725
7,041,017 B1 * 5/2006 Carfo 473/457

(76) Inventor: **Thomas Kelliher**, 49 Calumet Rd.,
Holyoke, MA (US) 01040

* cited by examiner

(**) Term: **14 Years**

Primary Examiner—Mitchell Siegel

(74) *Attorney, Agent, or Firm*—Deborah A. Basile

(21) Appl. No.: **29/253,974**

(57) **CLAIM**

(22) Filed: **Feb. 16, 2006**

The ornamental design for a bunting baseball training bat, as shown and described.

(51) **LOC (8) Cl.** **21-02**

(52) **U.S. Cl.** **D21/725**

(58) **Field of Classification Search** D21/725;
473/564–568, 457, 422; 428/542.4
See application file for complete search history.

DESCRIPTION

FIG. 1 is a perspective view of a baseball training bat showing my new design;

FIG. 2 is a side elevational view thereof, the undisclosed opposite side being identical;

FIG. 3 is a top plan view thereof;

FIG. 4 is a front end elevational view thereof; and,

FIG. 5 is a rear end elevational view thereof.

(56) **References Cited**

U.S. PATENT DOCUMENTS

- 5,190,829 A * 3/1993 Nybye 428/542.4
- D351,868 S * 10/1994 Pendergast D21/725
- D353,175 S * 12/1994 Pagani D21/725
- D357,289 S * 4/1995 Cramton D21/725

1 Claim, 5 Drawing Sheets

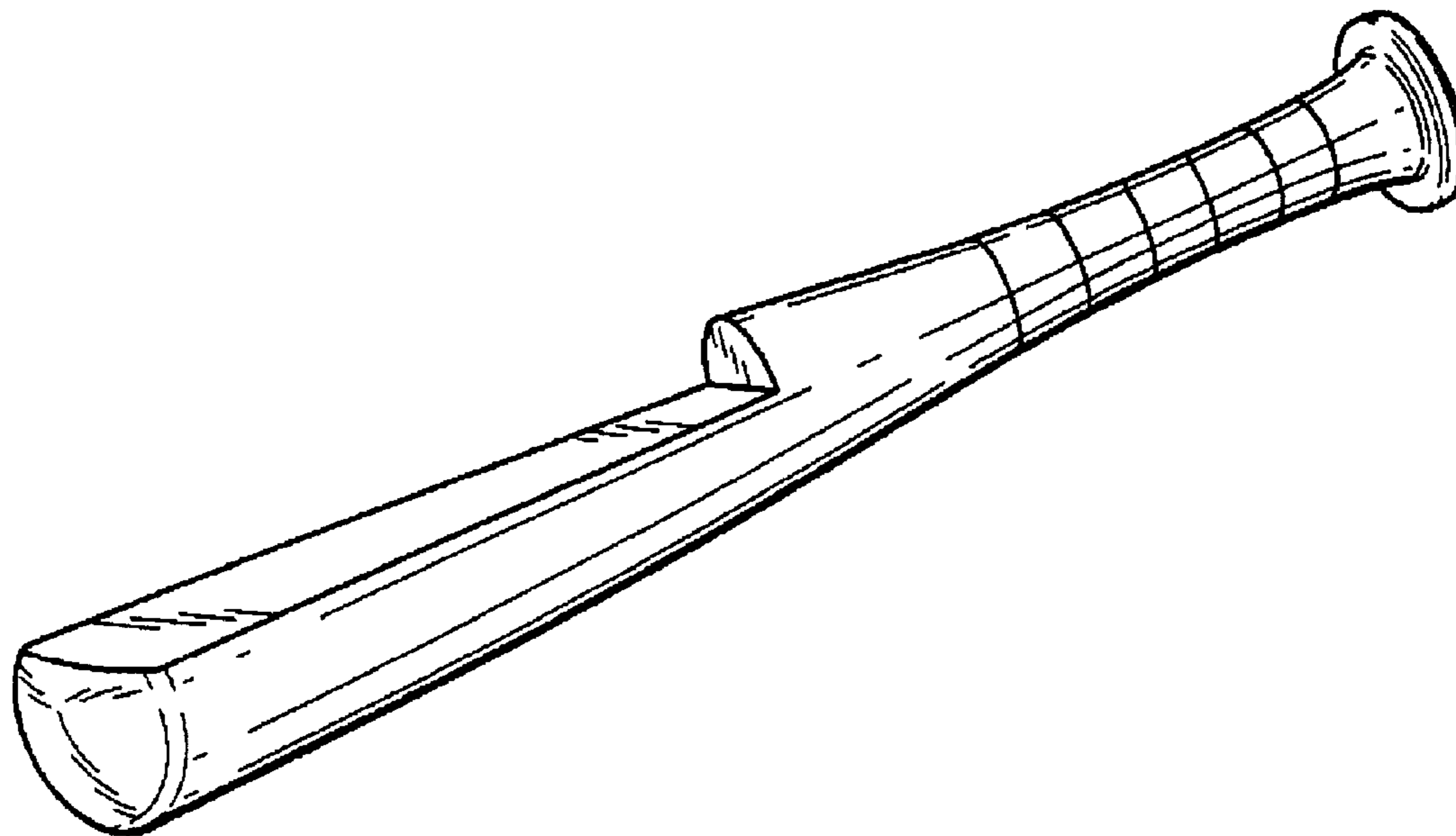


FIG. 1

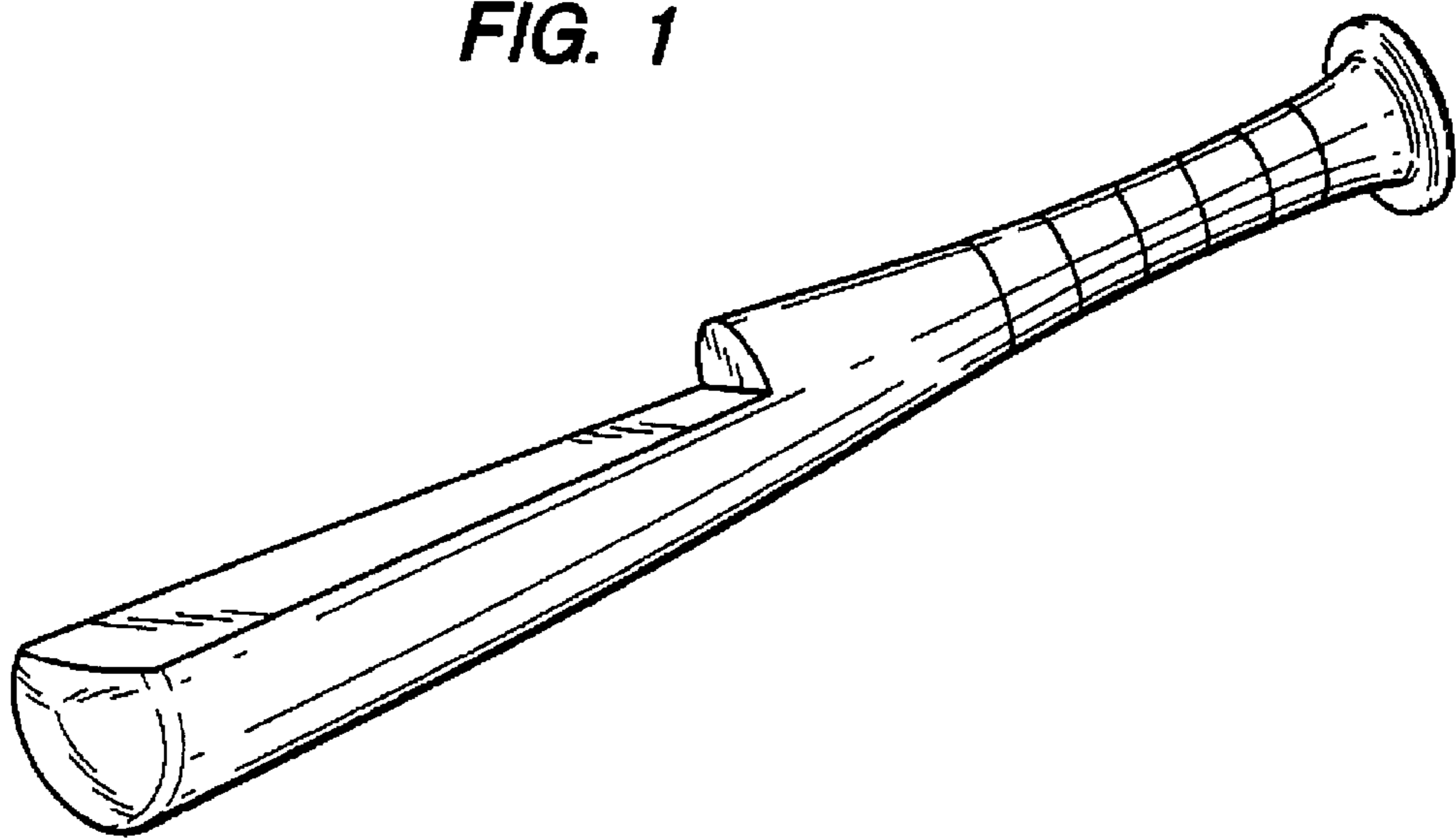


FIG. 2

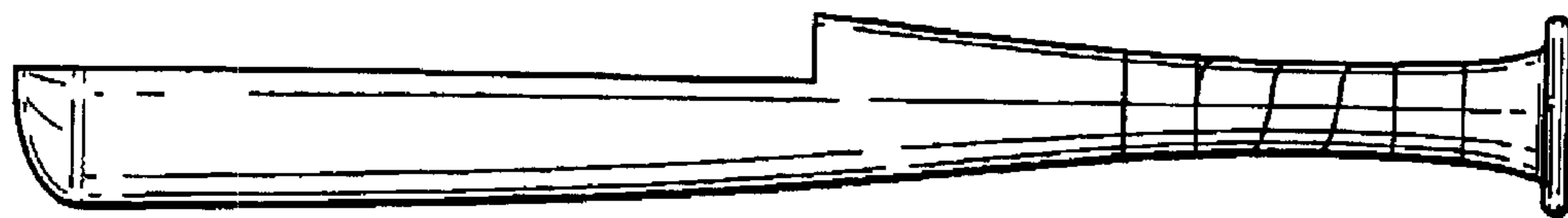


FIG. 3

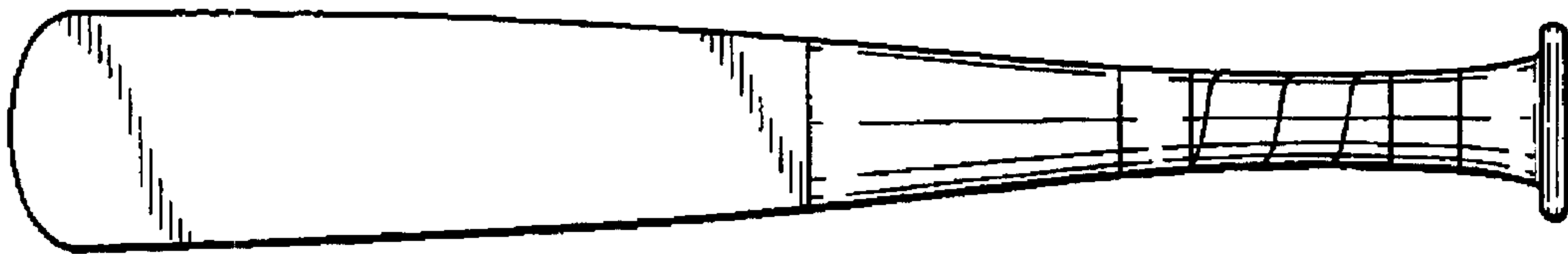


FIG. 4

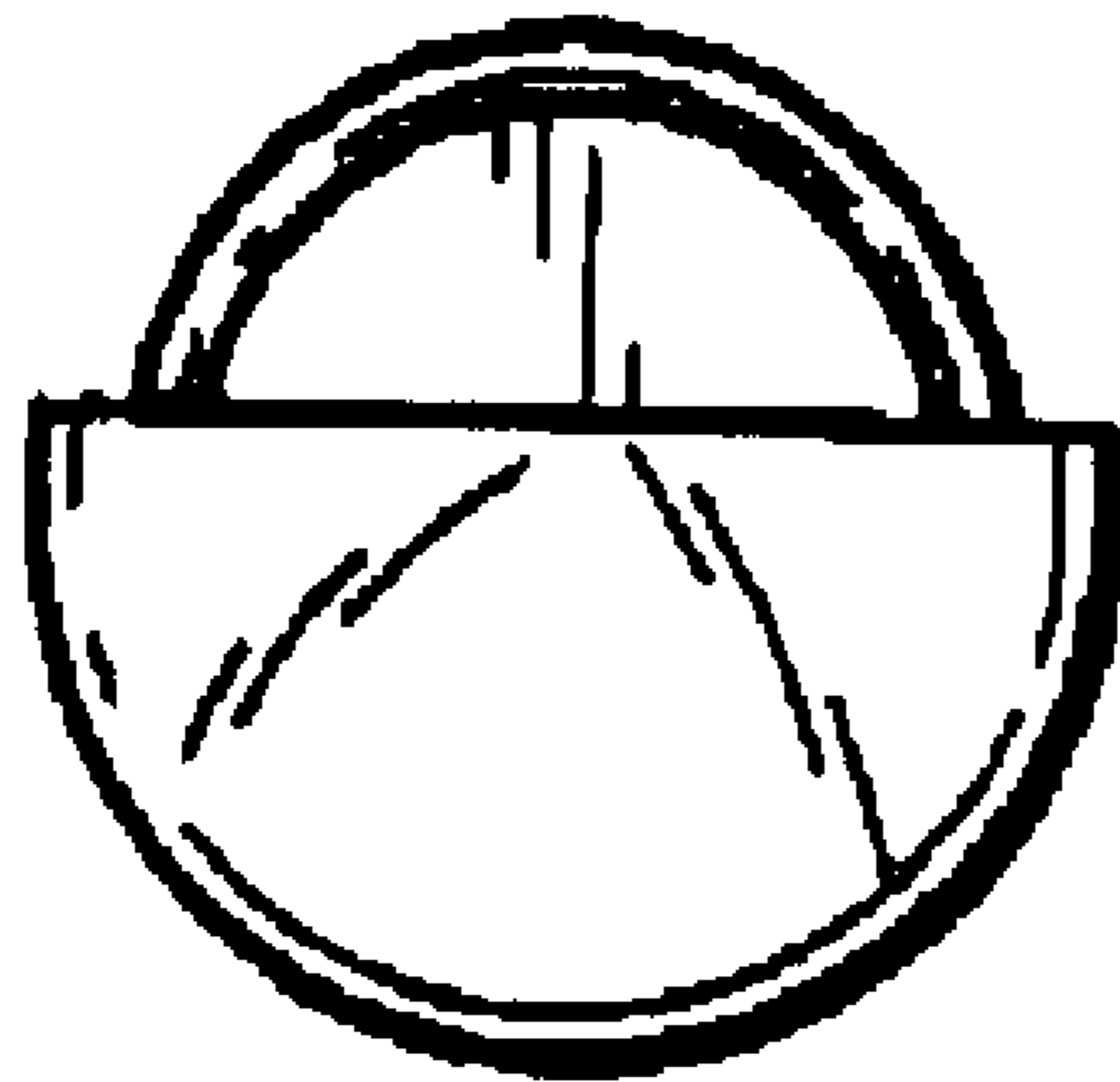


FIG. 5

