



US00D543248S

(12) **United States Design Patent**
Winston

(10) **Patent No.:** **US D543,248 S**

(45) **Date of Patent:** **** May 22, 2007**

(54) **RADIO CONTROLLED TOY**

(76) **Inventor:** **Peter R Winston**, P.O. Box 432,
Englishtown, NJ (US) 07726

(**) **Term:** **14 Years**

(21) **Appl. No.:** **29/246,133**

(22) **Filed:** **Feb. 28, 2006**

(51) **LOC (8) Cl.** **21-01**

(52) **U.S. Cl.** **D21/450**

(58) **Field of Classification Search** D21/436-454;
D12/319-345; 446/34-68, 230, 232; 244/4 R,
244/12.1, 13, 16, 23 R, 35 R, 45 R, 154,
244/900, 901, 903

See application file for complete search history.

(56) **References Cited**

U.S. PATENT DOCUMENTS

1,726,558 A	*	9/1929	Hall	244/13
2,140,783 A	*	12/1938	Bellanca	244/13
D112,834 S	*	1/1939	De Seversky	D12/324
D115,854 S	*	7/1939	Loudy	D12/335

D119,714 S	*	3/1940	Hibbard et al.	D12/335
D133,126 S	*	7/1942	Woods	D12/335
2,460,804 A	*	2/1949	Brentnall	244/13
D273,005 S	*	3/1984	McComas	D12/335
D301,867 S	*	6/1989	Street	D12/339

* cited by examiner

Primary Examiner—Catherine Tuttle

(74) *Attorney, Agent, or Firm*—Pearl Cohen Zedek Latzer LLP

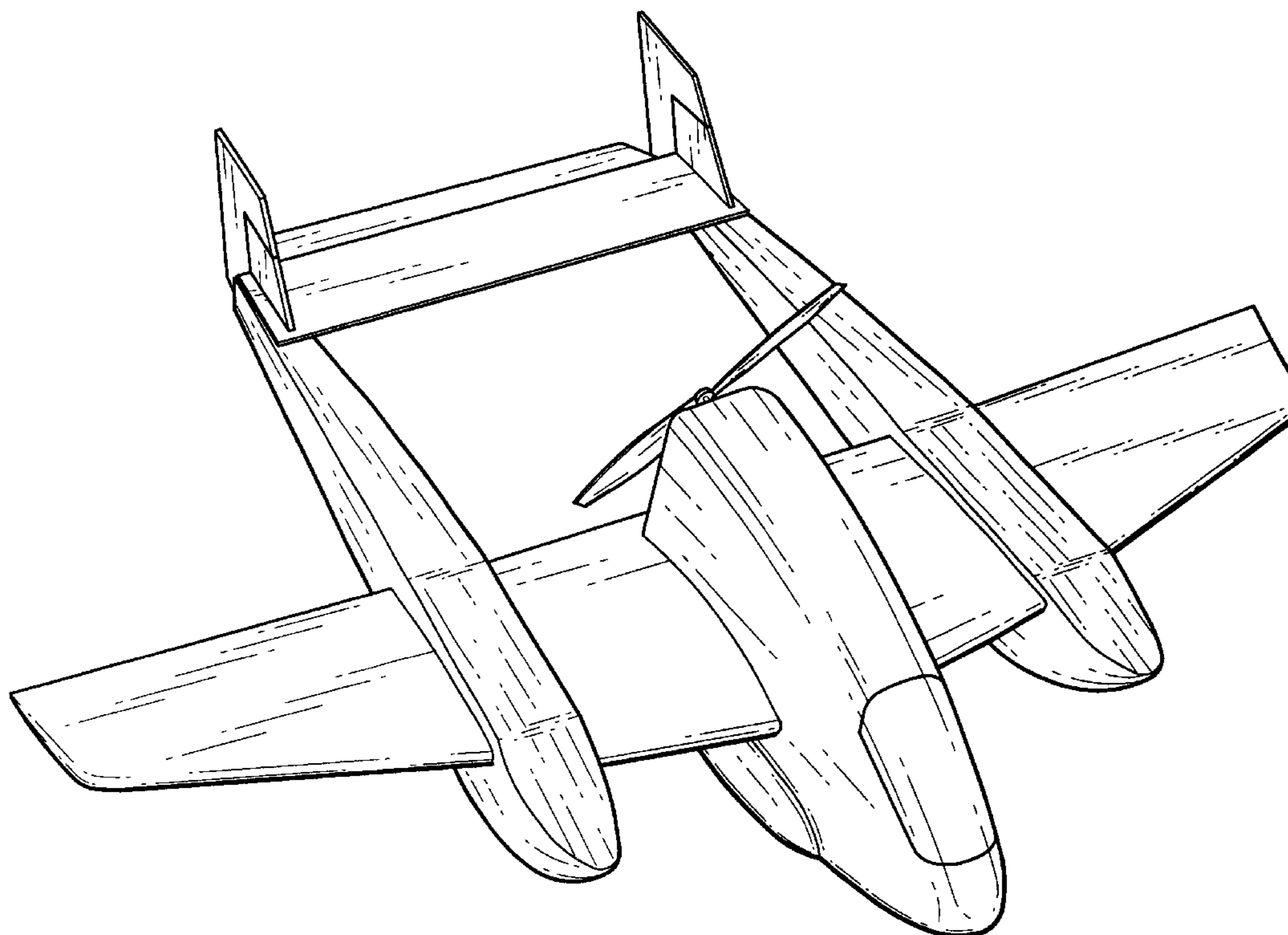
(57) **CLAIM**

The ornamental design for a radio controlled toy, as shown and described.

DESCRIPTION

FIG. 1 is a perspective view of my new and novel design; FIG. 2 is a top view of my new and novel design; and FIG. 3 is a right side view of my new and novel design, the left side view being a mirror image thereof; FIG. 4 is a bottom view of my new and novel design. FIG. 5 is a front view of my new and novel design; and, FIG. 6 is a back view of my new and novel design.

1 Claim, 4 Drawing Sheets



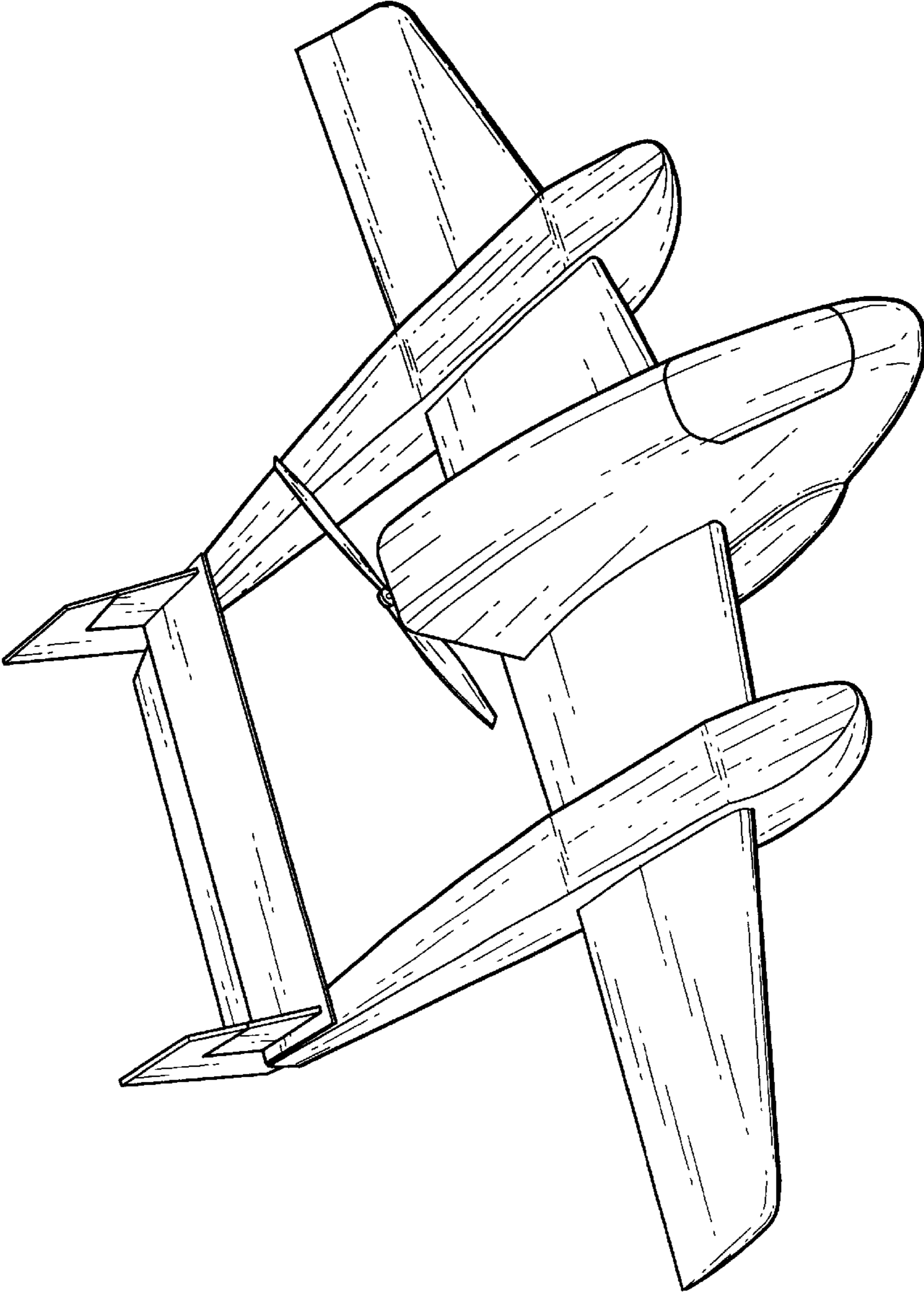


FIG. 1

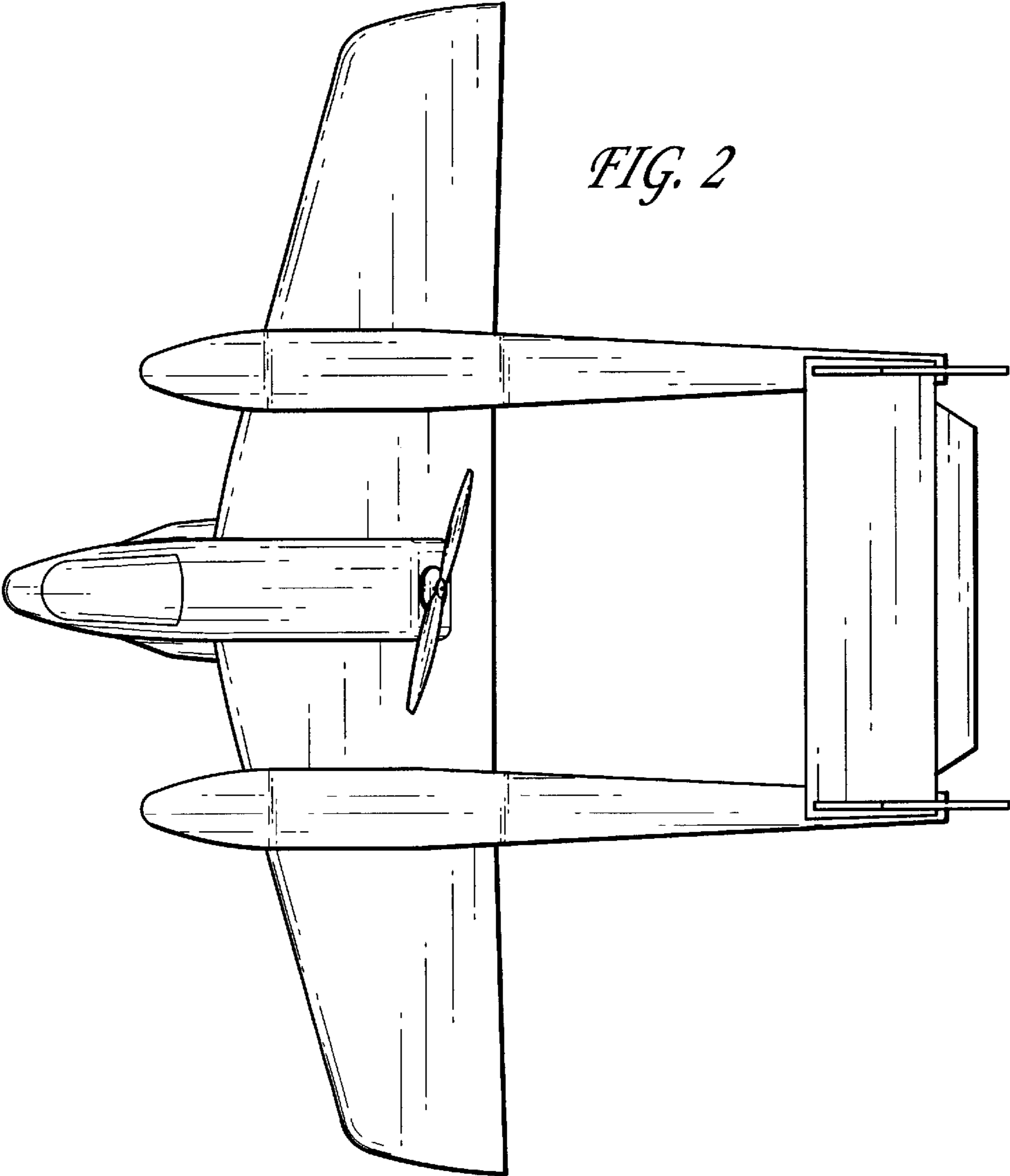


FIG. 2



FIG. 3

FIG. 4

