



US00D543246S

(12) **United States Design Patent**
Ashida et al.

(10) **Patent No.:** **US D543,246 S**

(45) **Date of Patent:** **** May 22, 2007**

(54) **BASE STAND FOR ELECTRONIC GAME MACHINE**

(75) Inventors: **Kenichiro Ashida**, Kyoto (JP); **Masato Ibuki**, Kyoto (JP); **Shinji Yamamoto**, Kyoto (JP); **Hirokazu Matsui**, Kyoto (JP); **Akiko Suga**, Kyoto (JP)

(73) Assignee: **Nintendo Co., Ltd.**, Kyoto-shi (JP)

(**) Term: **14 Years**

(21) Appl. No.: **29/242,324**

(22) Filed: **Nov. 9, 2005**

(30) **Foreign Application Priority Data**

May 11, 2005 (JP) 2005-013471

(51) **LOC (8) Cl.** **21-01**

(52) **U.S. Cl.** **D21/333**; D14/434

(58) **Field of Classification Search** D21/324, D21/328, 333; D14/433, 434, 447, 356; 273/148 R, 273/148 A, 148 B; 463/46, 47; 379/454, 379/455; 361/679, 683, 686; 345/156
See application file for complete search history.

(56) **References Cited**

U.S. PATENT DOCUMENTS

D273,165 S	3/1984	Sternberg	
4,530,504 A *	7/1985	Long, Jr.	273/148 B
D328,277 S *	7/1992	Leman et al.	D13/108
5,209,478 A *	5/1993	Simpson	273/148 B
D433,381 S *	11/2000	Talesfore	D13/123

6,241,247 B1 *	6/2001	Sternberg et al.	273/148 B
D466,511 S *	12/2002	Croley et al.	D14/434
6,647,248 B1 *	11/2003	Ortscheid et al.	224/255
6,735,309 B1 *	5/2004	Lemanski et al.	379/454
D495,336 S *	8/2004	Andre et al.	D14/434
D520,014 S *	5/2006	Harris et al.	D14/434
7,103,397 B2 *	9/2006	Oh	455/575.9

* cited by examiner

Primary Examiner—Prabhakar Deshmukh

(74) *Attorney, Agent, or Firm*—Nixon & Vanderhye, P.C.

(57) **CLAIM**

The ornamental design for a base stand for electronic game machine, as shown and described.

DESCRIPTION

FIG. 1 is a front, top and left perspective view of a base stand for electronic game machine showing our new design; FIG. 2 is a rear, bottom and right perspective view thereof; FIG. 3 is a front view thereof; FIG. 4 is a rear view thereof; FIG. 5 is a right side view thereof; FIG. 6 is a left side view thereof; FIG. 7 is a top plan view thereof; FIG. 8 is a perspective view thereof, with the article shown in it's environmental use; and, FIG. 9 is a reference in which an electronic game machine is put onto the basestand.

The broken lines environmental are for illustrative purposes only and form no part of the claimed design.

1 Claim, 3 Drawing Sheets

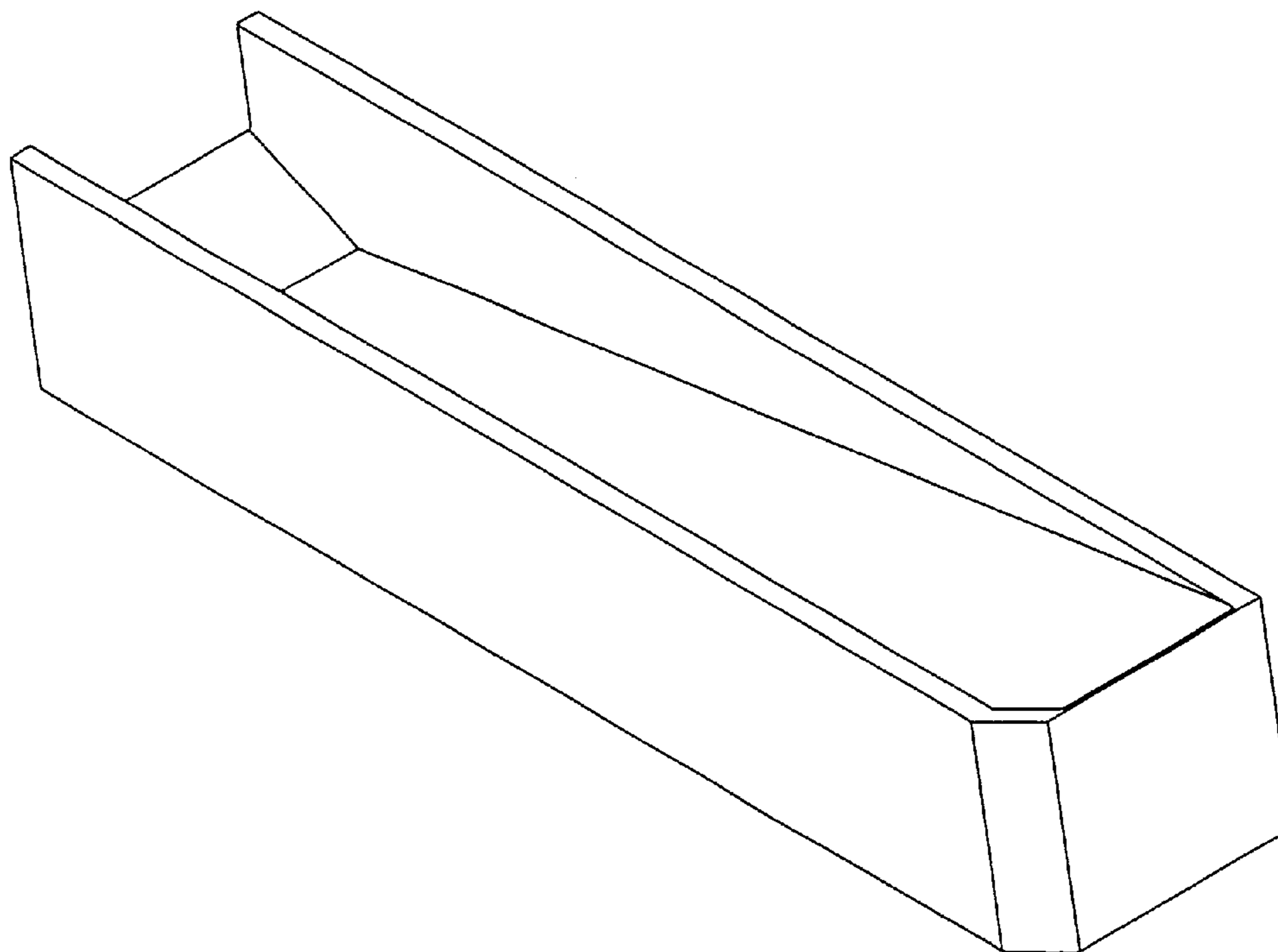


FIG. 1

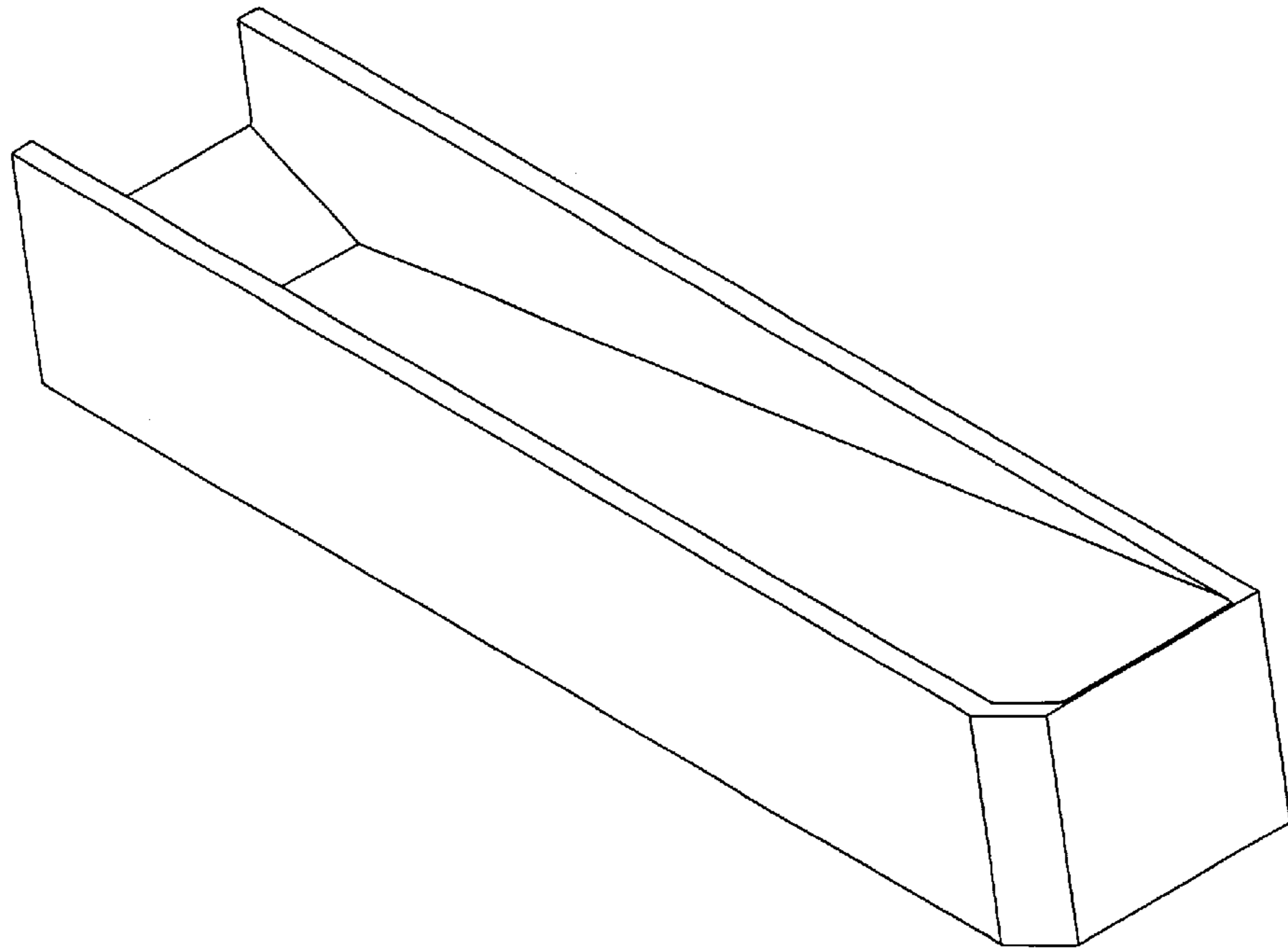


FIG. 2

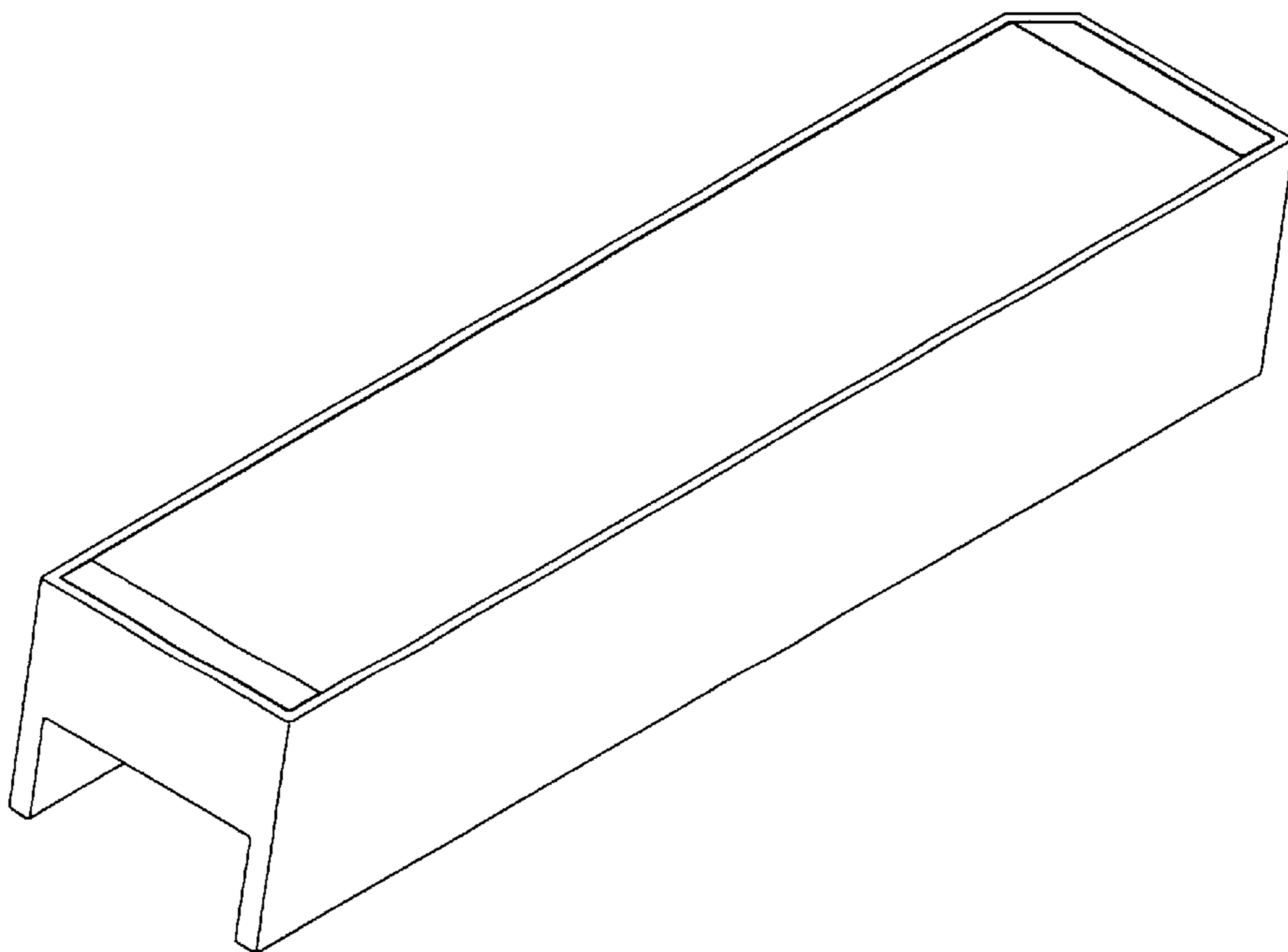


FIG. 3

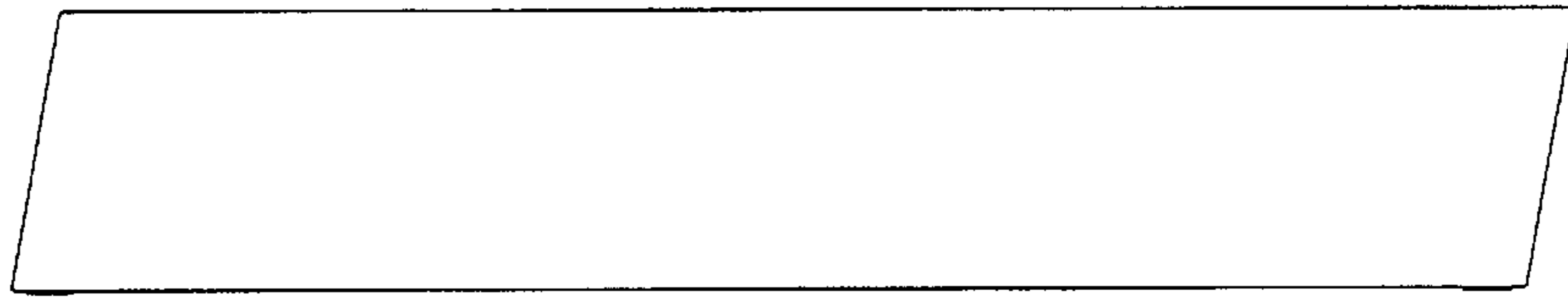


FIG. 4

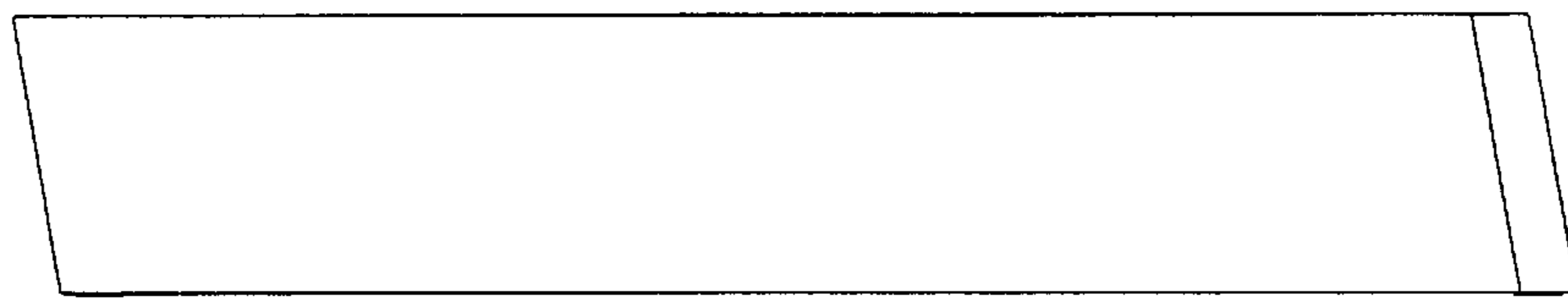


FIG. 5

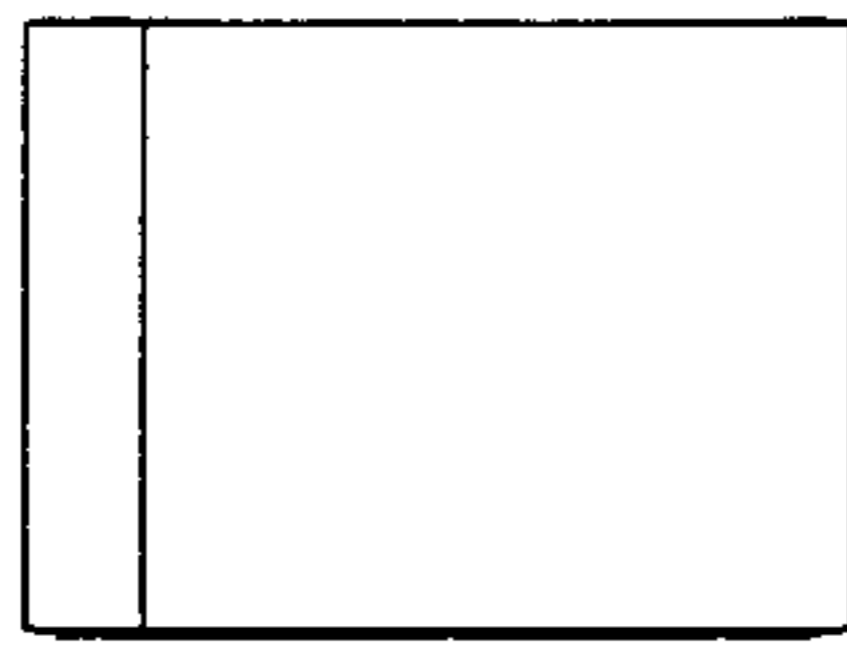


FIG. 6

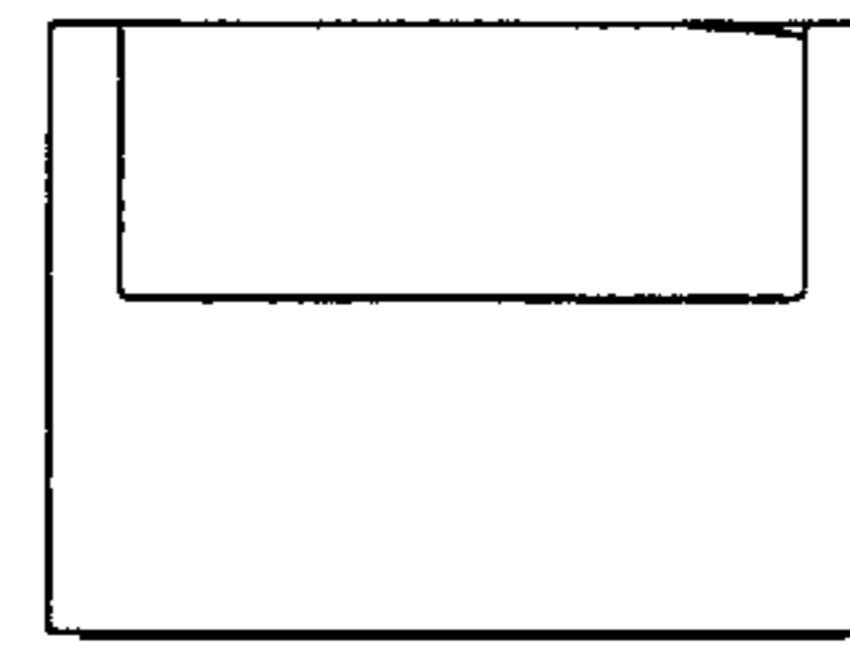


FIG. 7

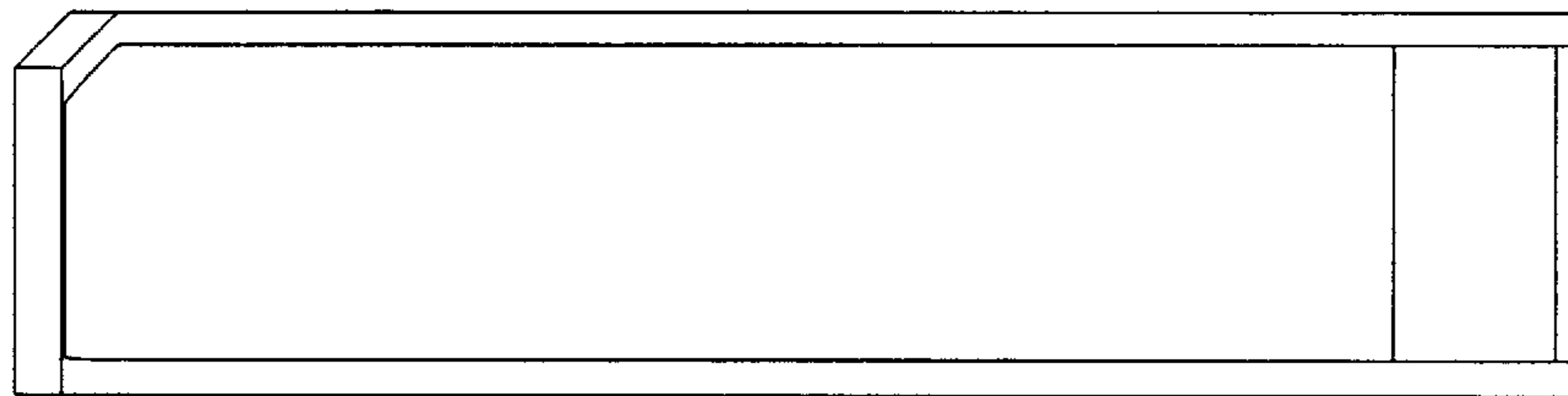


FIG. 8

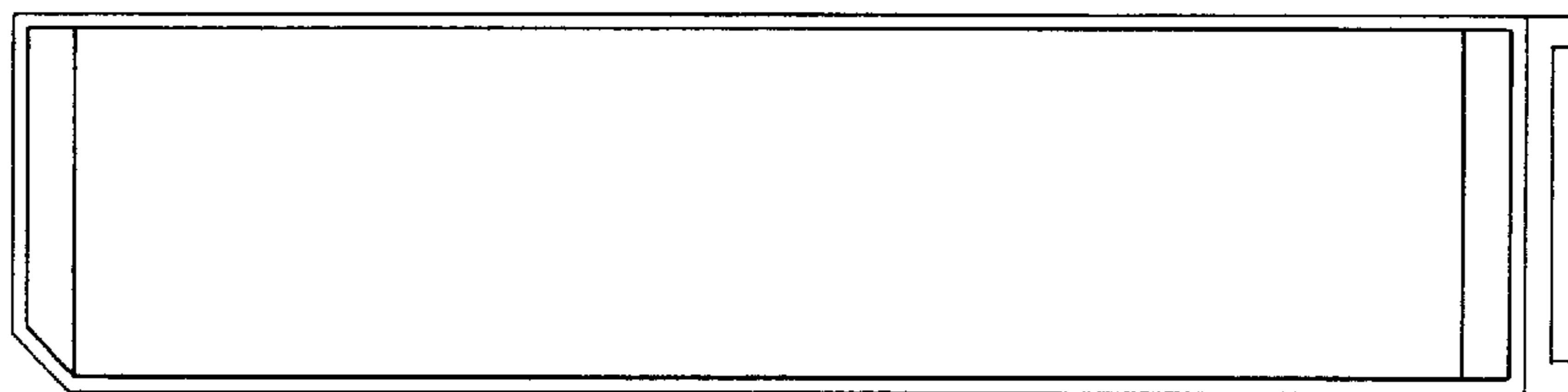


FIG. 9

