

US00D543240S

(12) **United States Design Patent**  
**Suzuki**

(10) **Patent No.:** **US D543,240 S**

(45) **Date of Patent:** **\*\* May 22, 2007**

(54) **CARTRIDGE-TYPE COATING TAPE DISPENSER**

(75) Inventor: **Kazuhiko Suzuki**, Kawasaki (JP)

(73) Assignee: **Tombow Pencil Co., Ltd.**, Tokyo (JP)

(\*\*) Term: **14 Years**

(21) Appl. No.: **29/244,114**

(22) Filed: **Dec. 5, 2005**

(30) **Foreign Application Priority Data**

Jul. 28, 2005 (JP) ..... 2005-021844

(51) **LOC (8) Cl.** ..... **19-02**

(52) **U.S. Cl.** ..... **D19/69**

(58) **Field of Classification Search** ..... D19/66,  
D19/67, 68, 69, 70; 156/523, 257, 540, 577;  
206/411; 225/6, 25, 39, 77; 242/588, 588.1,  
242/588.2, 588.3, 588.6, 598.5

See application file for complete search history.

(56) **References Cited**

**U.S. PATENT DOCUMENTS**

- D420,389 S \* 2/2000 Shimizu ..... D19/69
- D421,059 S \* 2/2000 Shimizu ..... D19/69
- D424,619 S \* 5/2000 Katami ..... D19/69
- D433,449 S \* 11/2000 Fujiwara ..... D19/53
- D436,625 S \* 1/2001 Katami ..... D19/69
- D438,250 S \* 2/2001 Katami ..... D19/69
- 6,206,072 B1 \* 3/2001 Orihara et al. .... 156/540
- 6,270,578 B1 \* 8/2001 Murakoshi ..... 118/257
- D451,960 S \* 12/2001 Shimizu ..... D19/69
- D456,450 S \* 4/2002 Kimura ..... D19/69
- D457,564 S \* 5/2002 Kimura ..... D19/53

- D465,241 S \* 11/2002 Suzuki ..... D19/69
- D466,938 S \* 12/2002 Lee ..... D19/69
- D466,939 S \* 12/2002 Lee ..... D19/69
- D492,355 S \* 6/2004 Suzuki ..... D19/69
- D492,730 S \* 7/2004 Suzuki ..... D19/69
- D494,221 S \* 8/2004 Suzuki ..... D19/69
- D498,498 S \* 11/2004 Ono ..... D19/69
- D524,373 S \* 7/2006 Kimura ..... D19/69
- 2002/0033237 A1 \* 3/2002 Narita et al. .... 156/577
- 2002/0062928 A1 \* 5/2002 Ishikawa ..... 156/523
- 2005/0155717 A1 \* 7/2005 Mitsui et al. .... 156/577

\* cited by examiner

*Primary Examiner*—Cathron C. Brooks

*Assistant Examiner*—Austin Murphy

(74) *Attorney, Agent, or Firm*—Edwards Angell Palmer & Dodge LLP; Scott D. Wofsy

(57) **CLAIM**

The ornamental design for a cartridge-type coating tape dispenser, as shown and described.

**DESCRIPTION**

FIG. 1 is a front view of the cartridge-type coating tape dispenser showing my new design in an off use status with a tip part protected by a transparent cap;

FIG. 2 is a rear view thereof;

FIG. 3 is a left side view thereof;

FIG. 4 is a right side view thereof;

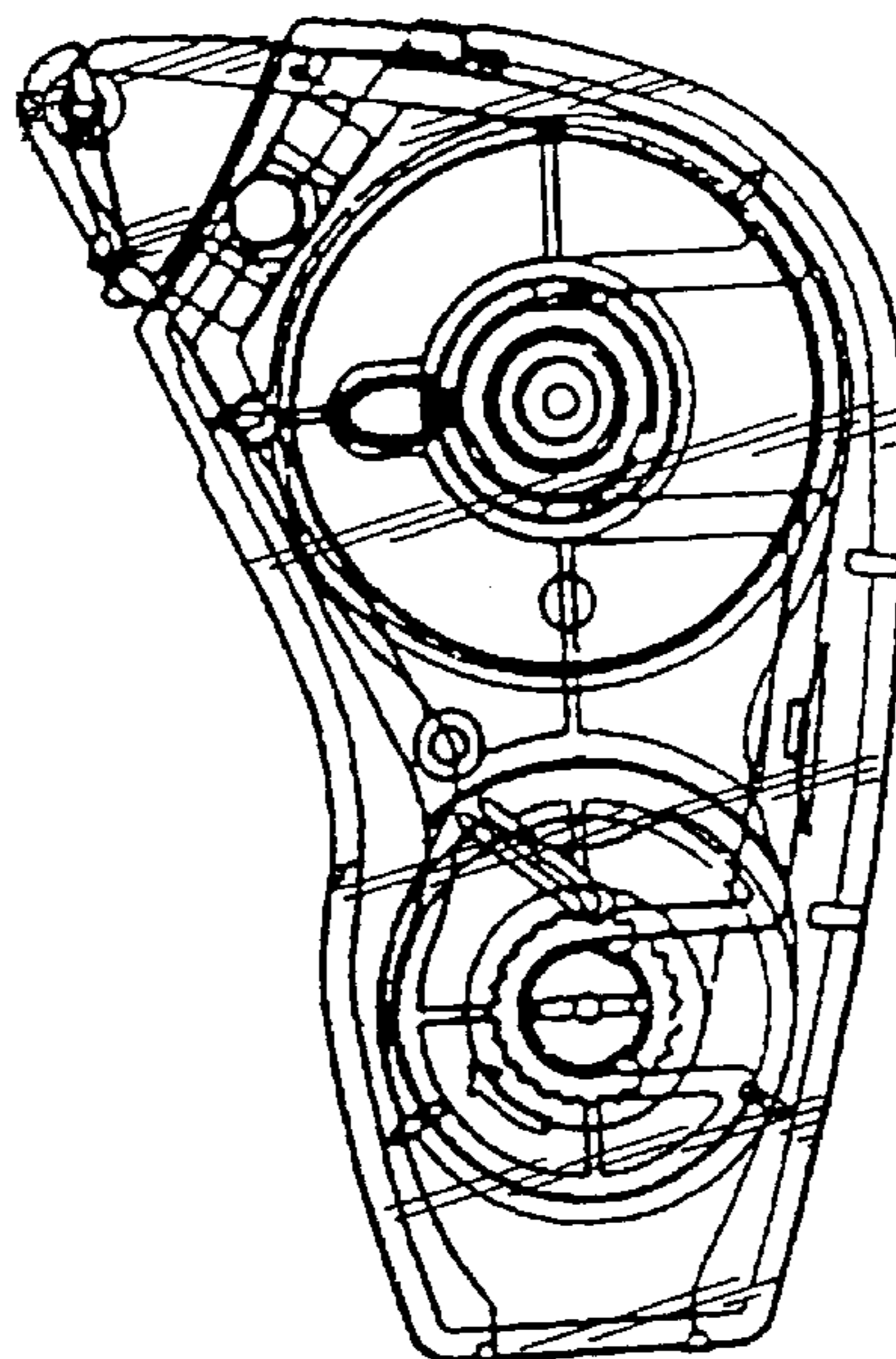
FIG. 5 is a top view thereof;

FIG. 6 is a bottom view thereof;

FIG. 7 is a perspective view thereof; and,

FIG. 8 is a front view thereof similar to FIG. 1 in a use status with the tip part exposed and the cap held in a non-protective position.

**1 Claim, 4 Drawing Sheets**



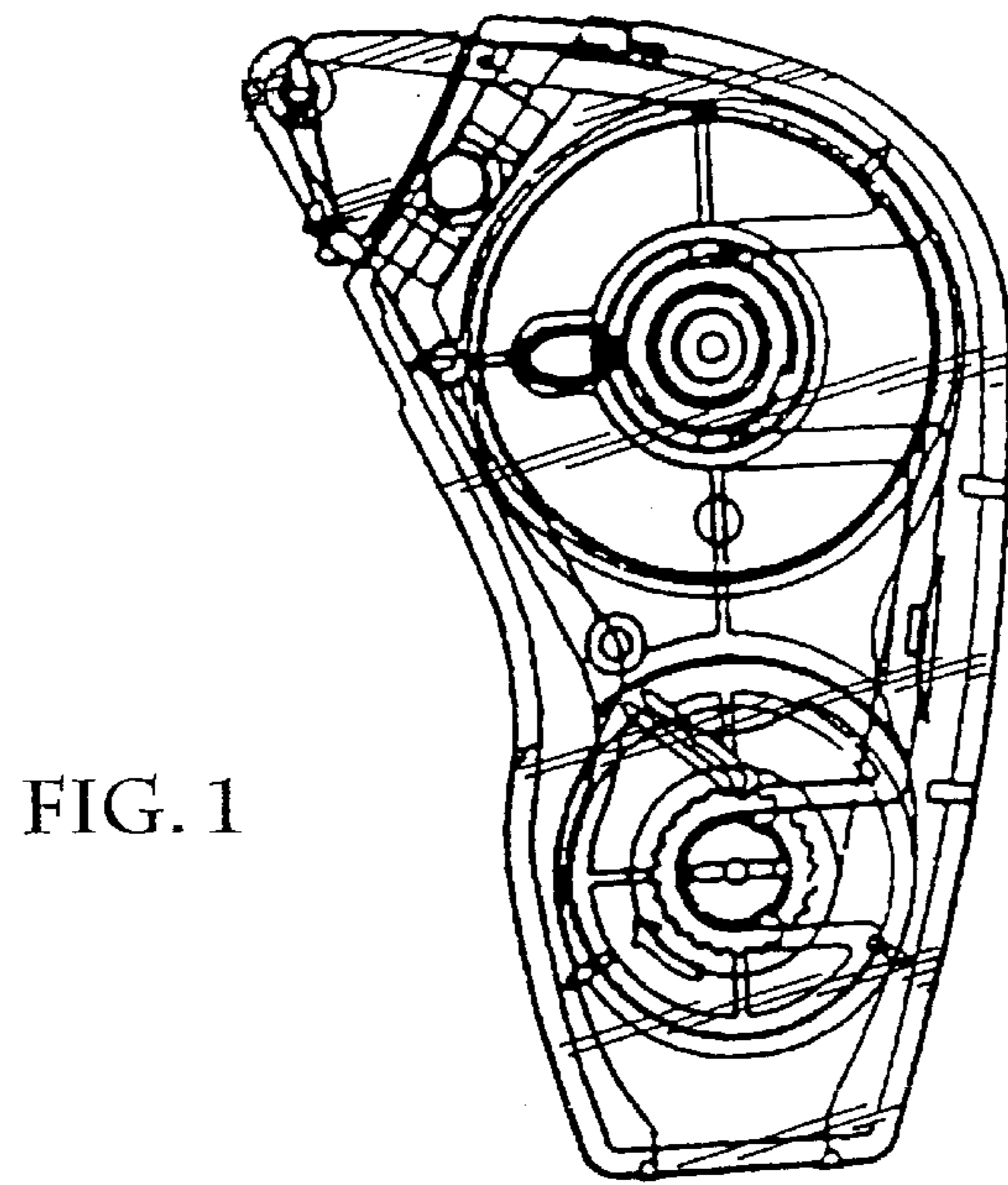


FIG. 1

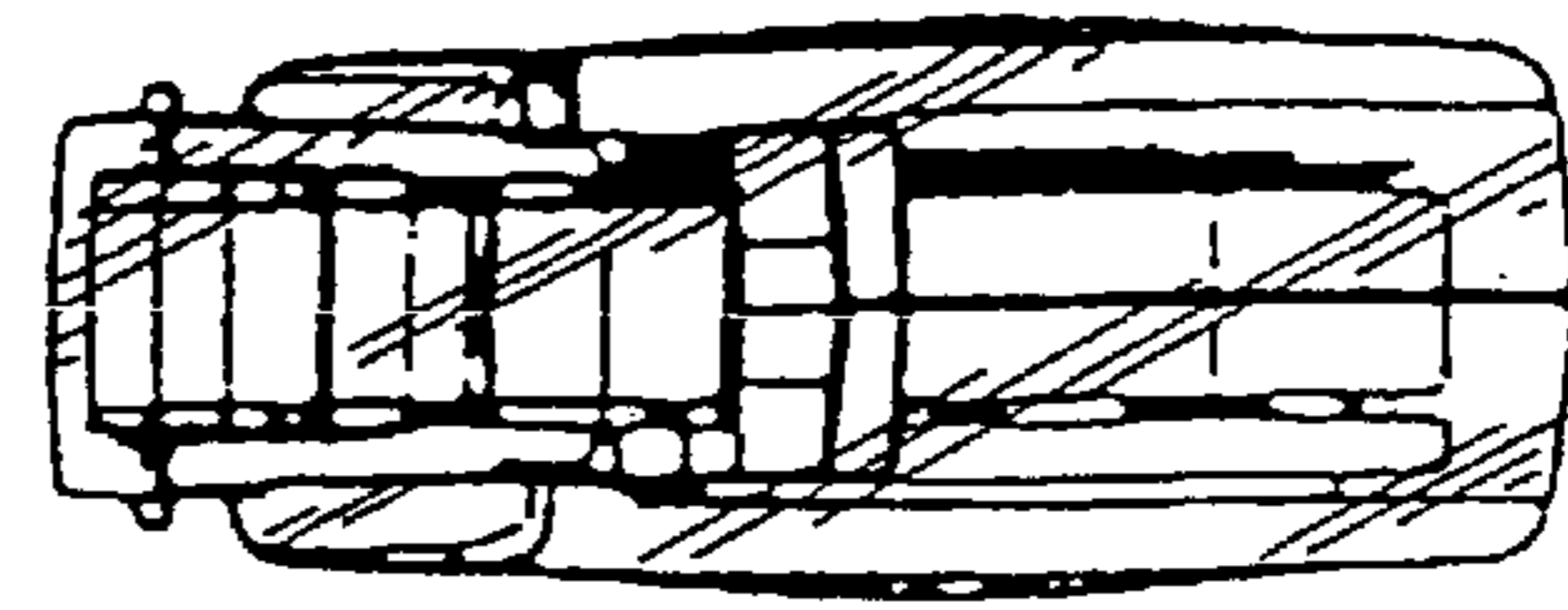


FIG. 5

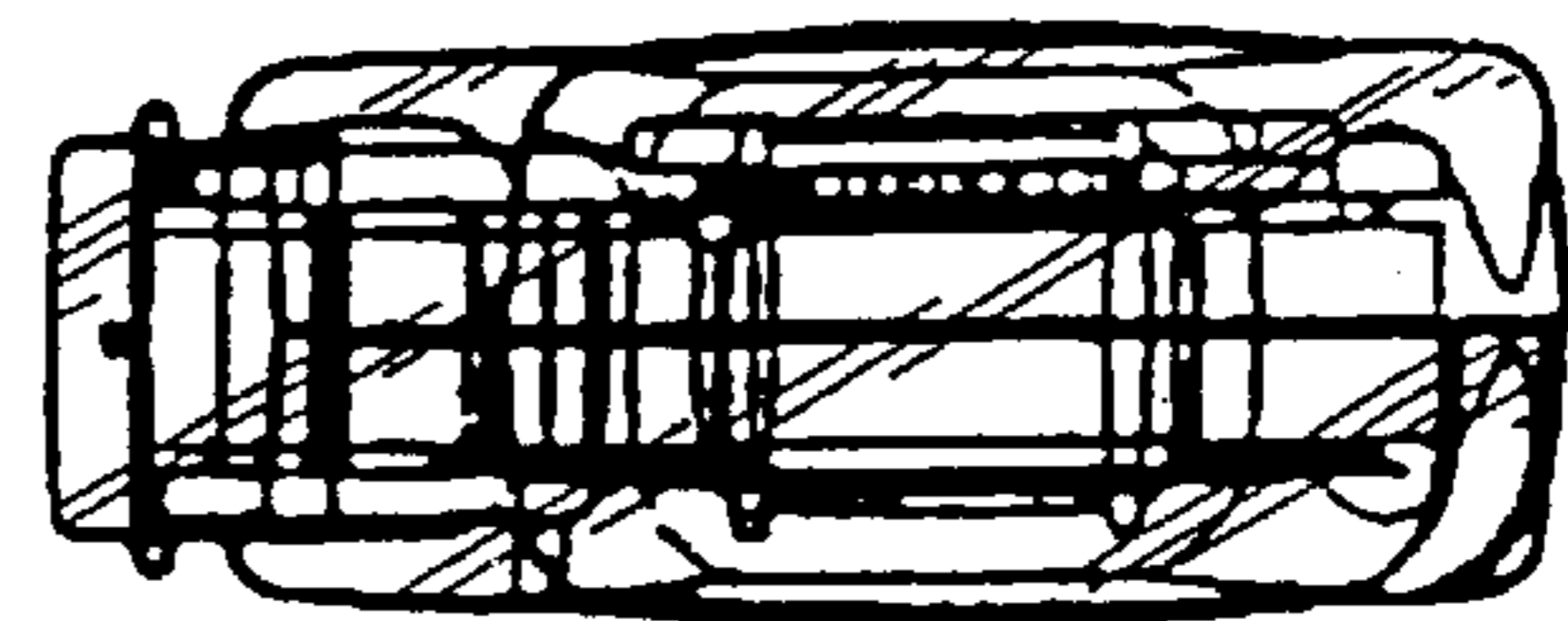


FIG. 6

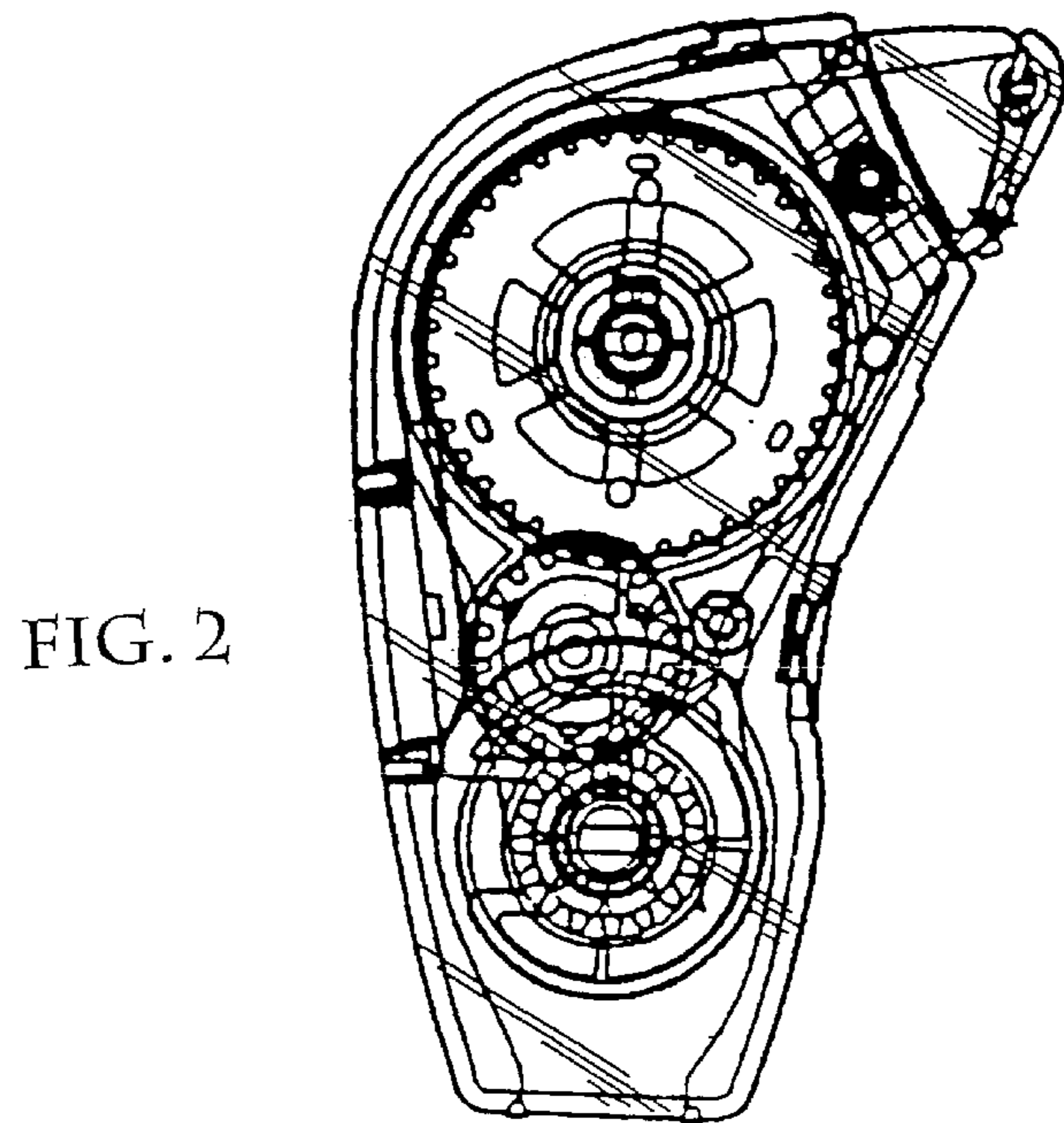


FIG. 2

FIG. 3

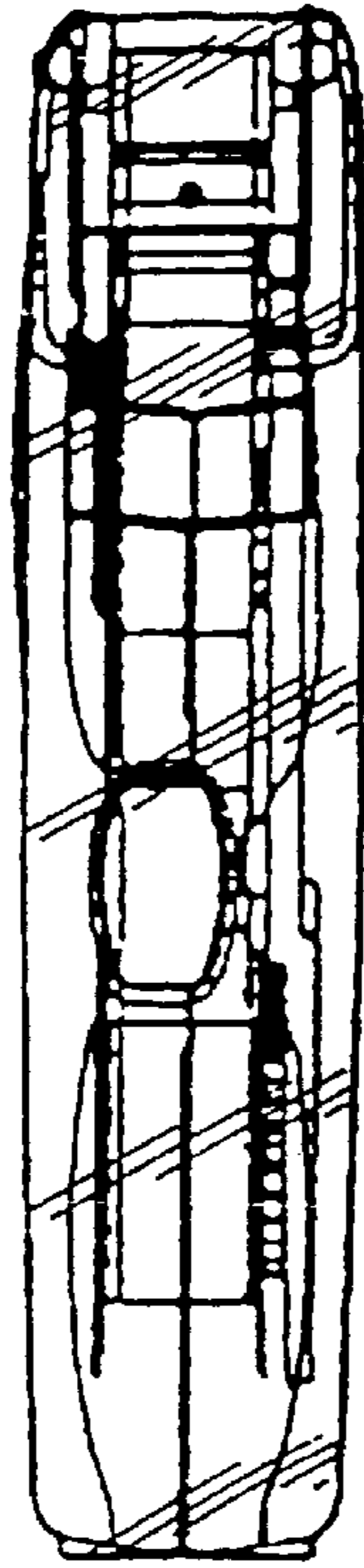
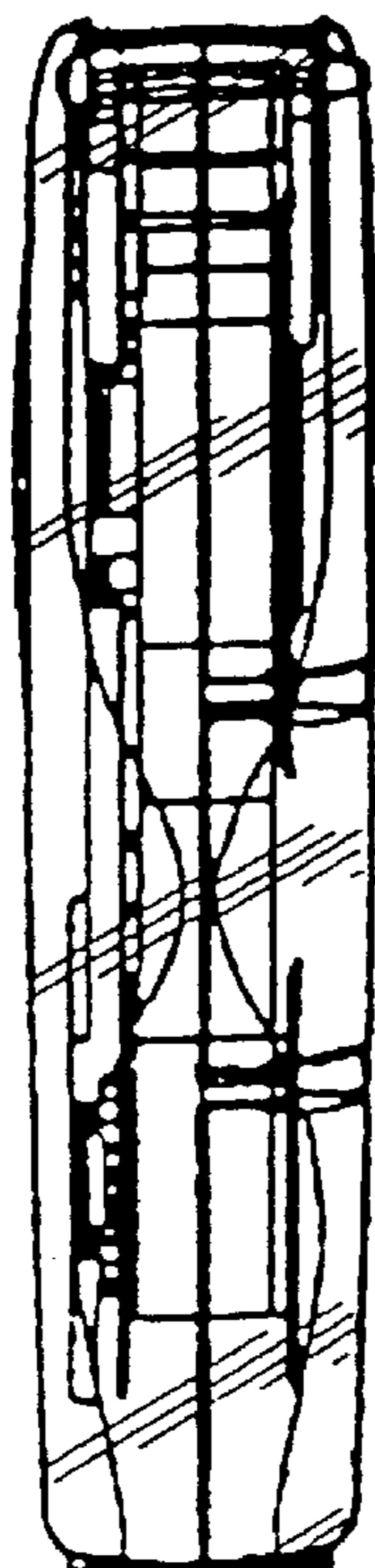


FIG. 4



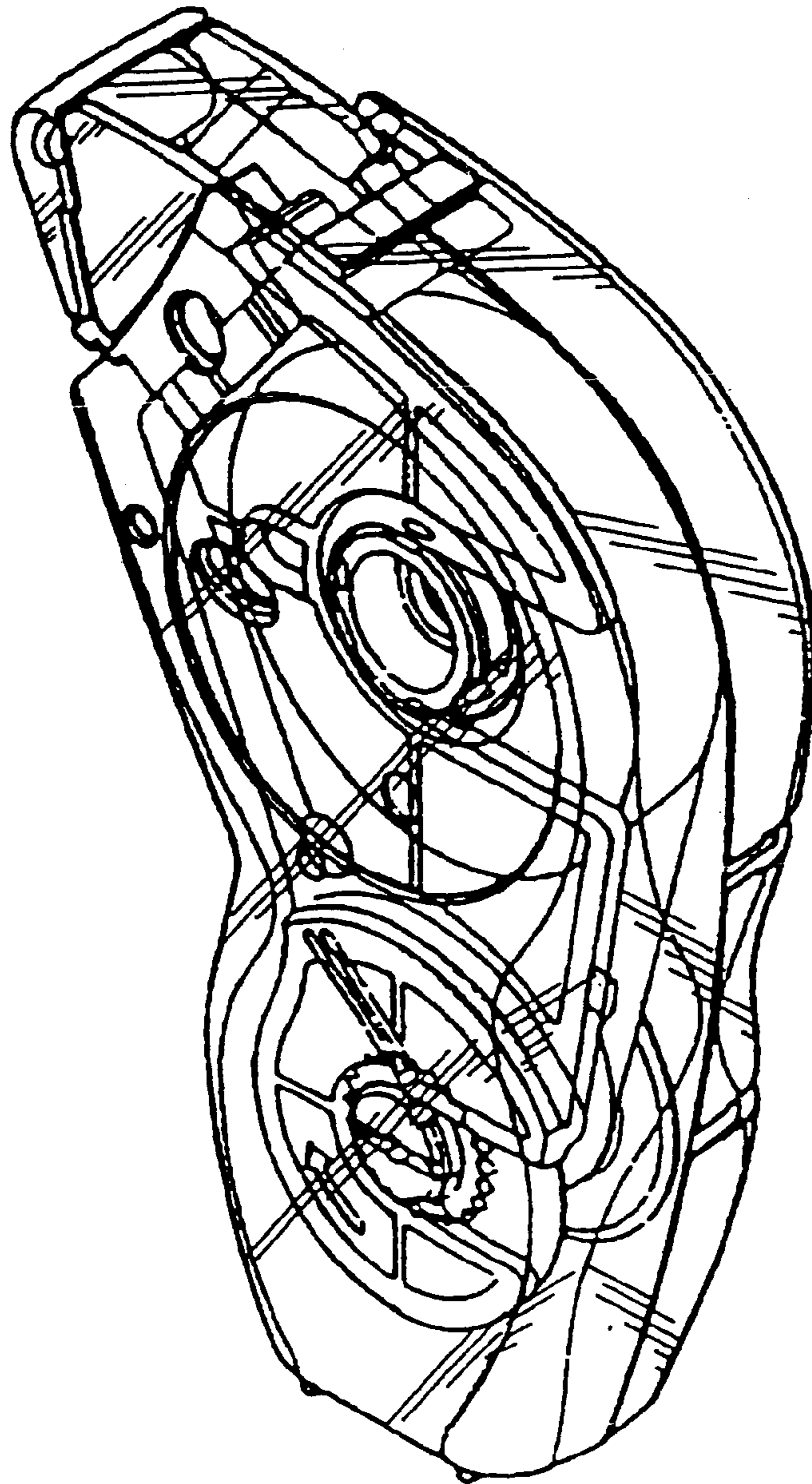


FIG. 7

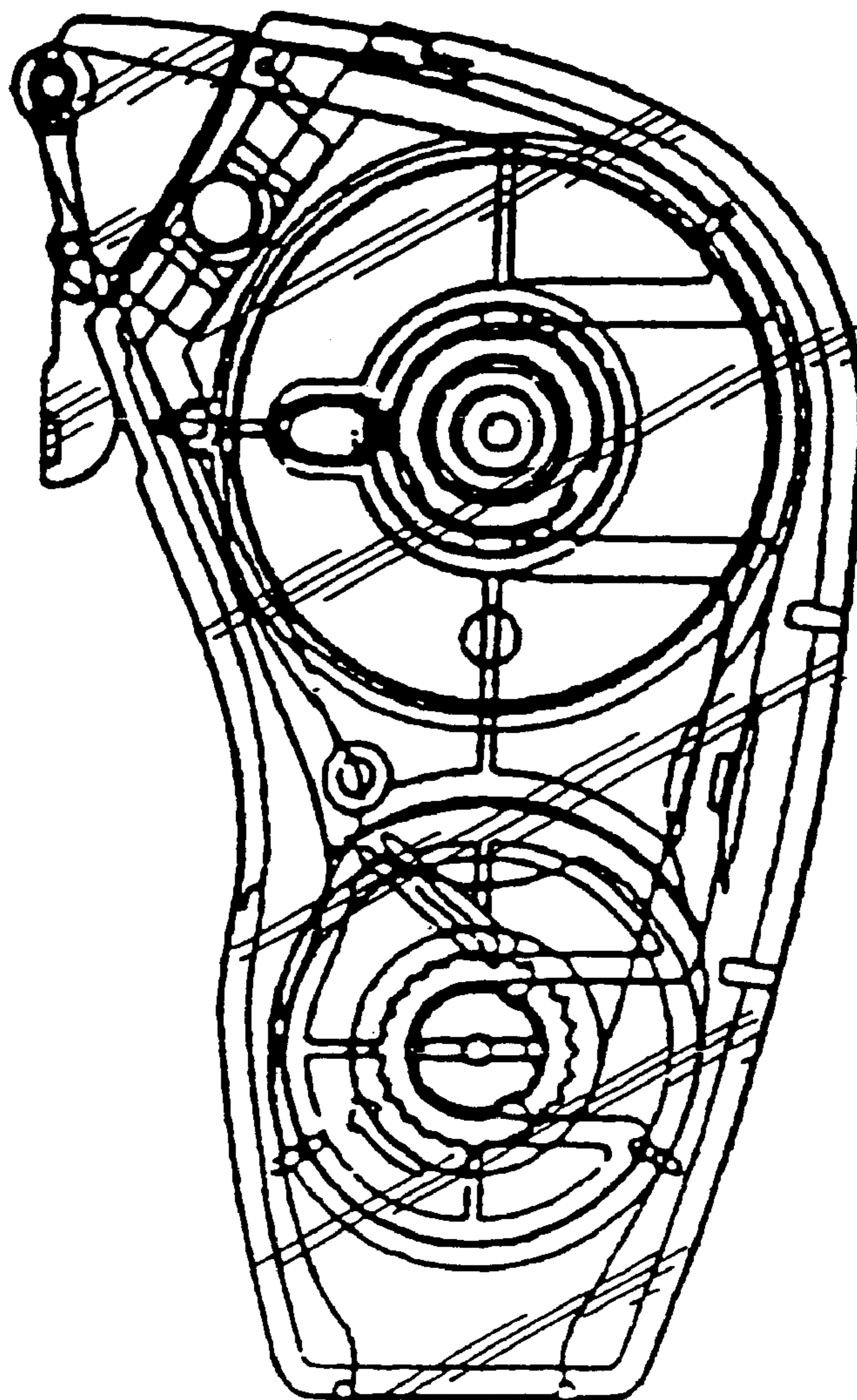


FIG. 8