



US00D543239S

(12) **United States Design Patent** (10) **Patent No.:** **US D543,239 S**
Suzuki (45) **Date of Patent:** **** May 22, 2007**

(54) **COATING TAPE DISPENSER** 6,681,830 B1 * 1/2004 Vulpitta et al. 156/527
D492,355 S * 6/2004 Suzuki D19/69
(75) Inventor: **Kazuhiko Suzuki**, Kanagawa (JP) D492,730 S * 7/2004 Suzuki D19/69
6,761,200 B2 * 7/2004 Shinya 156/577
(73) Assignee: **Tombow Pencil Co. Ltd.**, Tokyo (JP) D494,221 S * 8/2004 Suzuki D19/69
D523,085 S * 6/2006 Mitsui et al. D19/69
(**) Term: **14 Years** 2002/0033237 A1 * 3/2002 Narita et al. 156/577
2002/0062928 A1 * 5/2002 Ishikawa 156/523

(21) Appl. No.: **29/242,533**

(22) Filed: **Nov. 10, 2005**

(30) **Foreign Application Priority Data**

Jun. 3, 2005 (JP) 2005-016223

(51) **LOC (8) Cl.** **19-02**

(52) **U.S. Cl.** **D19/69**

(58) **Field of Classification Search** D19/66,
D19/67, 68, 69, 70; 156/523, 257, 540, 577;
206/411; 225/6, 25, 39, 77; 242/588, 588.1,
242/588.2, 588.3, 588.6, 598.5

See application file for complete search history.

(56) **References Cited**

U.S. PATENT DOCUMENTS

D421,059 S * 2/2000 Shimizu D19/69
D421,060 S * 2/2000 Kelders et al. D19/69
D424,619 S * 5/2000 Katami D19/69
D433,449 S * 11/2000 Fujiwara D19/53
D436,625 S * 1/2001 Katami D19/69
D438,250 S * 2/2001 Katami D19/69
6,206,072 B1 * 3/2001 Orihara et al. 156/540
6,270,578 B1 * 8/2001 Murakoshi 118/257
D456,450 S * 4/2002 Kimura D19/69
D457,564 S * 5/2002 Kimura D19/53
D465,241 S * 11/2002 Suzuki D19/69
D466,938 S * 12/2002 Lee D19/69
D466,939 S * 12/2002 Lee D19/69
D476,687 S * 7/2003 Katami D19/69

* cited by examiner

Primary Examiner—Cathron C. Brooks

Assistant Examiner—Austin Murphy

(74) *Attorney, Agent, or Firm*—Edwards Angell Palmer & Dodge LLP; Scott D. Wofsy

(57) **CLAIM**

The ornamental design for a coating tape dispenser, as shown and described.

DESCRIPTION

FIG. 1 is a front view of the coating tape dispenser showing my new design in an off use status with a non-transparent tip part protected by a transparent cap; FIG. 2 is a rear view thereof; FIG. 3 is a left side view thereof; FIG. 4 is a right side view thereof; FIG. 5 is a top view thereof; FIG. 6 is a bottom view thereof; FIG. 7 is a perspective view thereof; FIG. 8 is a front view thereof similar to FIG. 1 in a use status with the tip part exposed and the cap held in a non-protective position; and, FIG. 9 is a perspective view thereof similar to FIG. 1 in the use status with the tip part exposed and the cap held in the non-protective position.

1 Claim, 4 Drawing Sheets

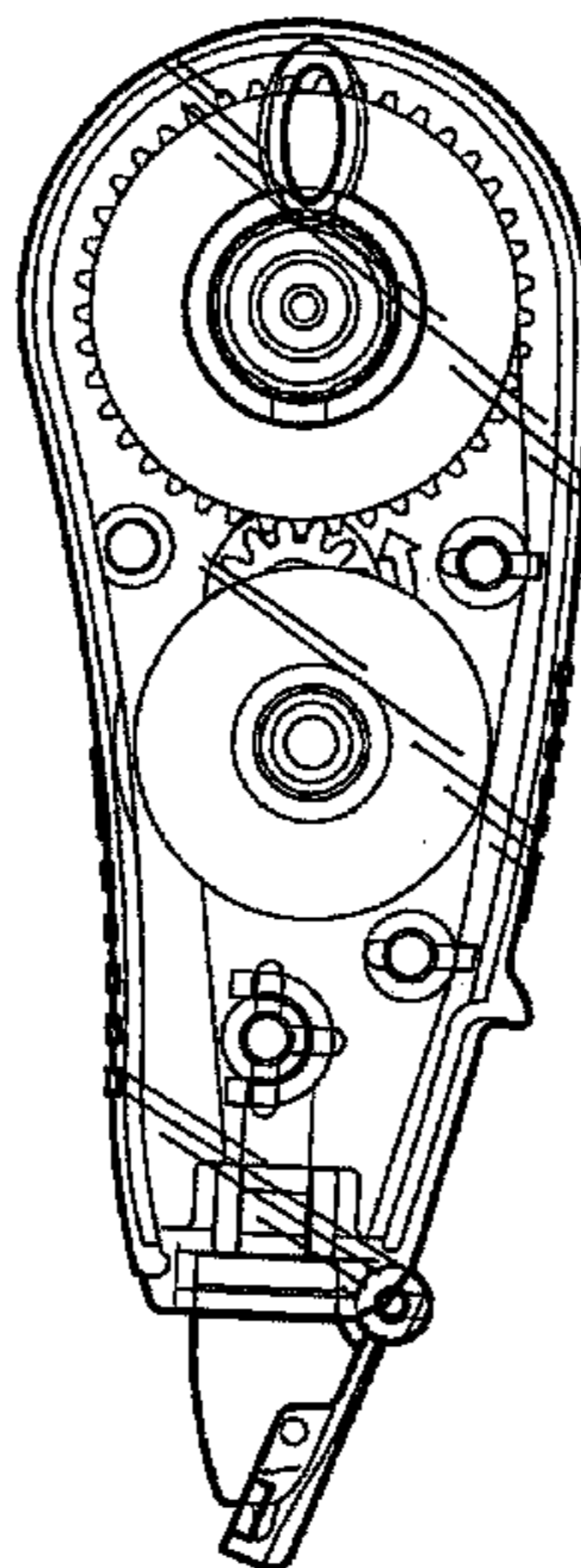


FIG. 1

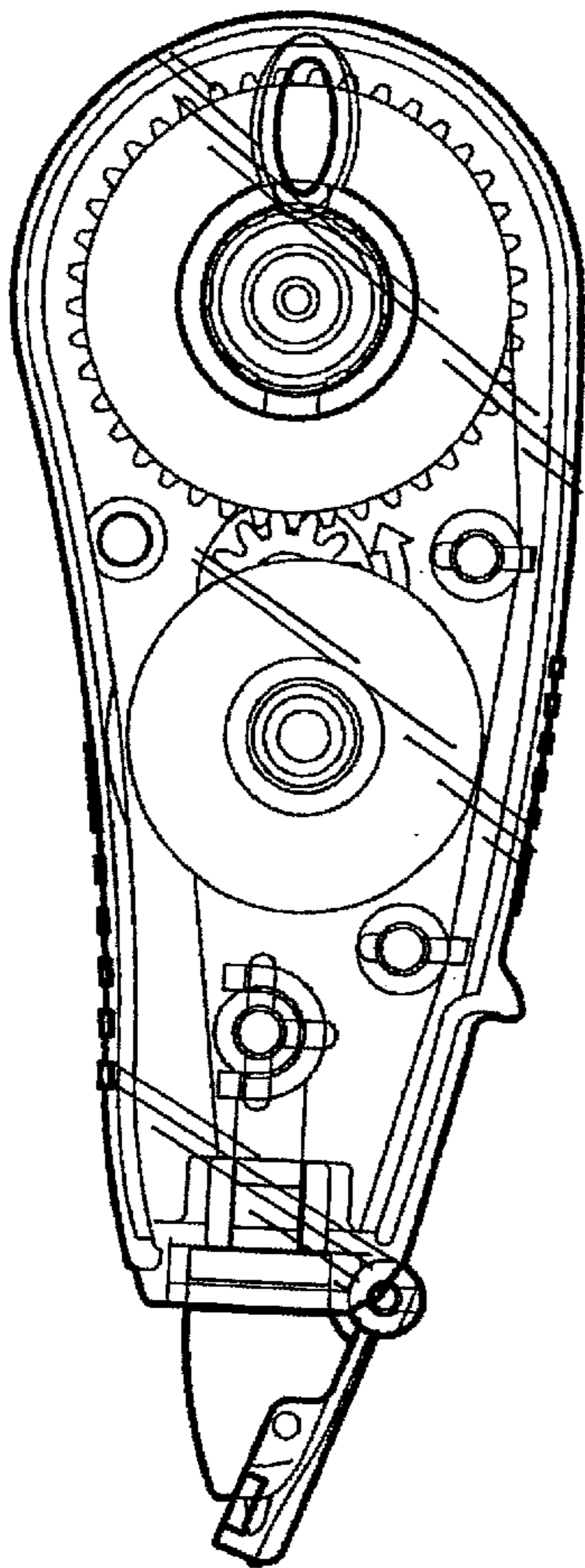


FIG. 2

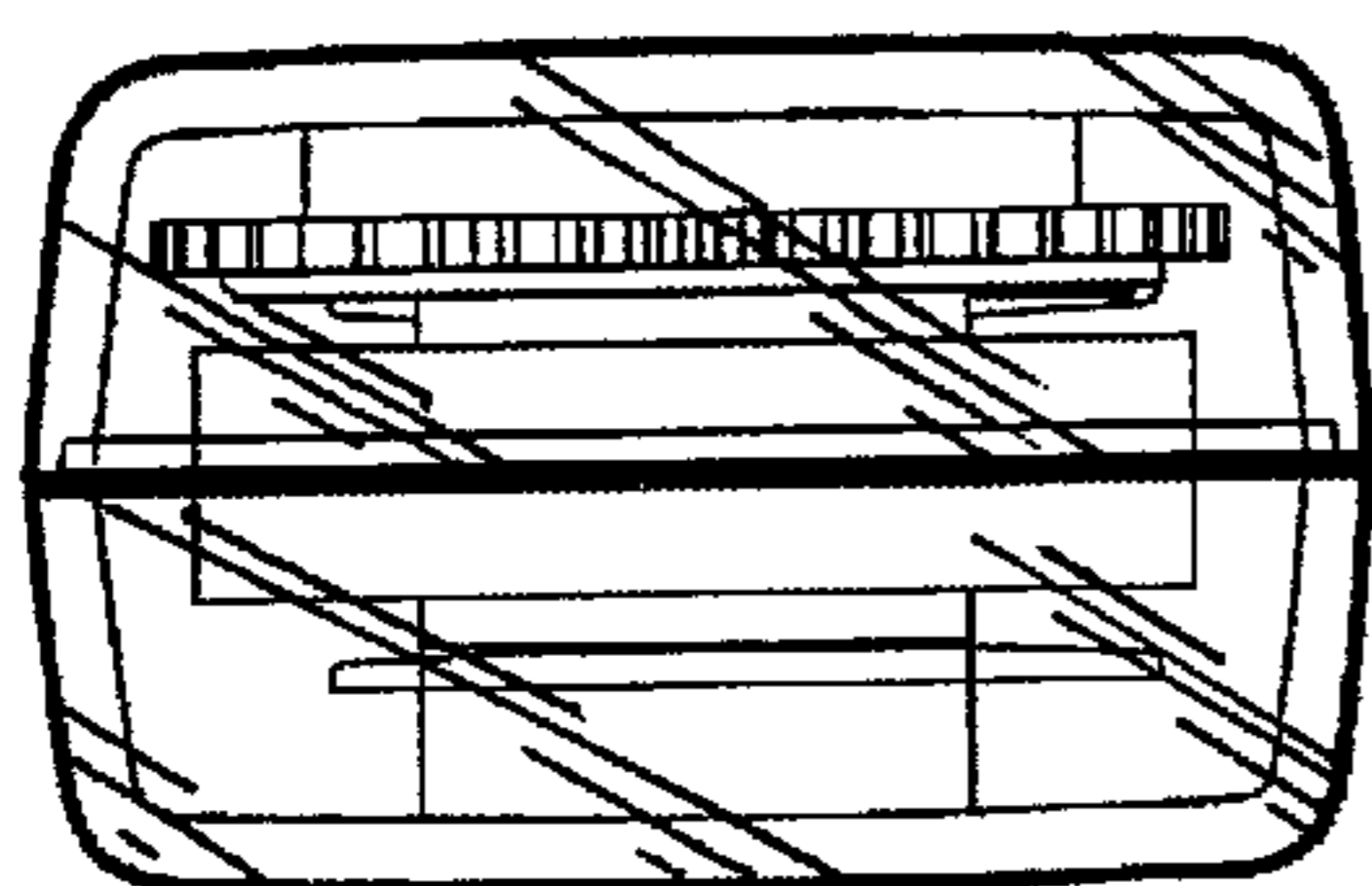
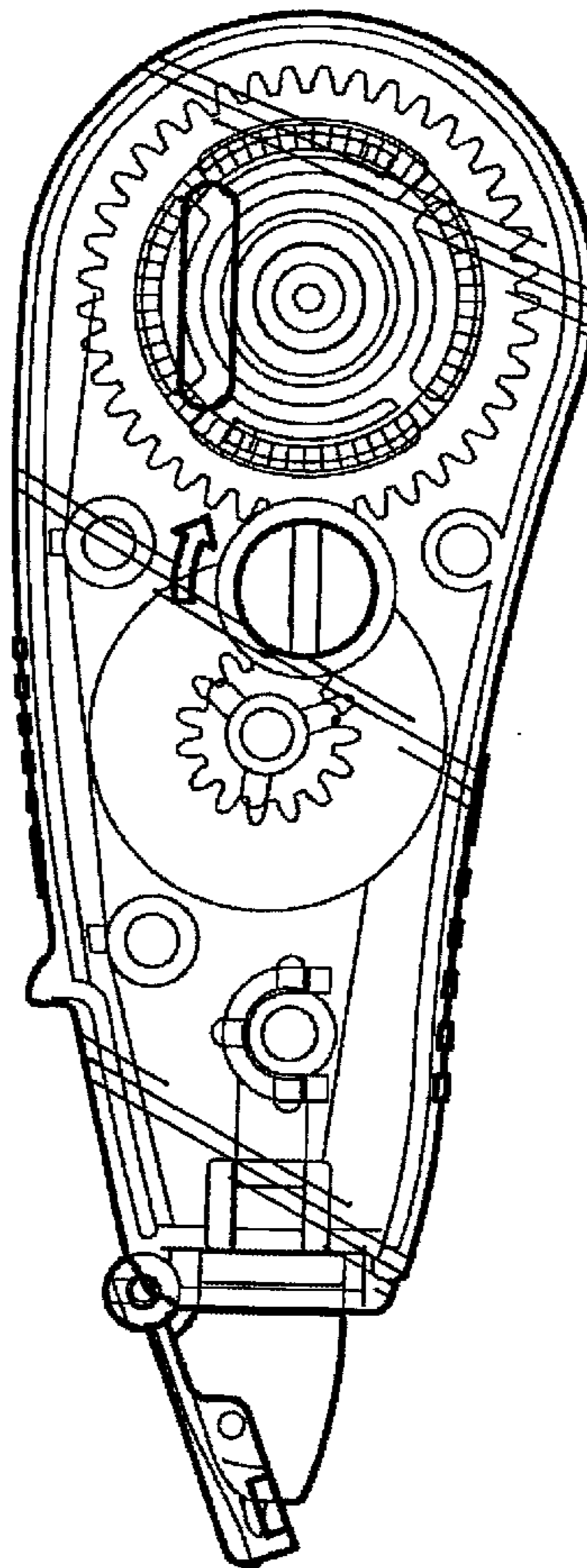


FIG. 5

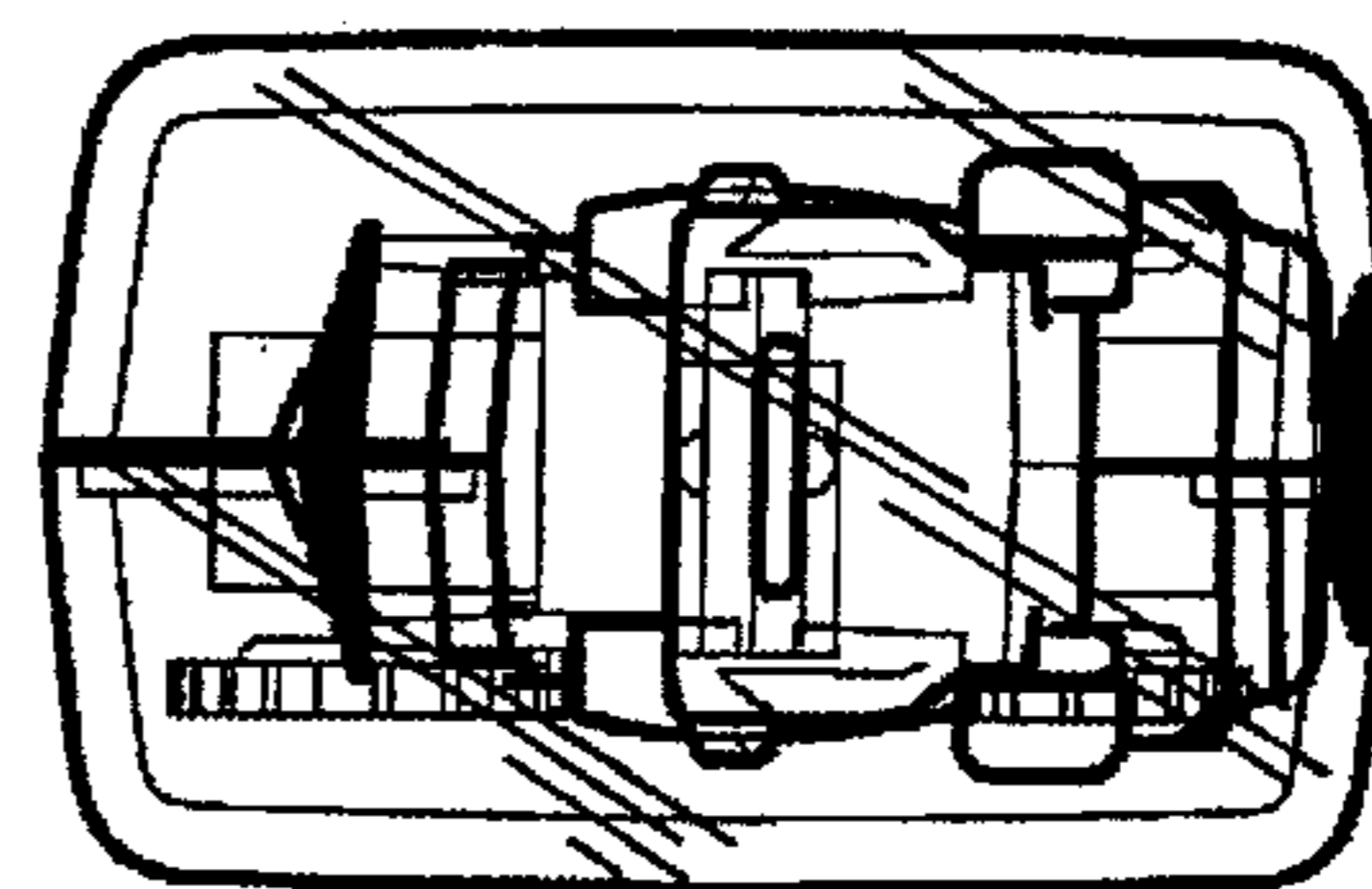


FIG. 6

FIG. 3

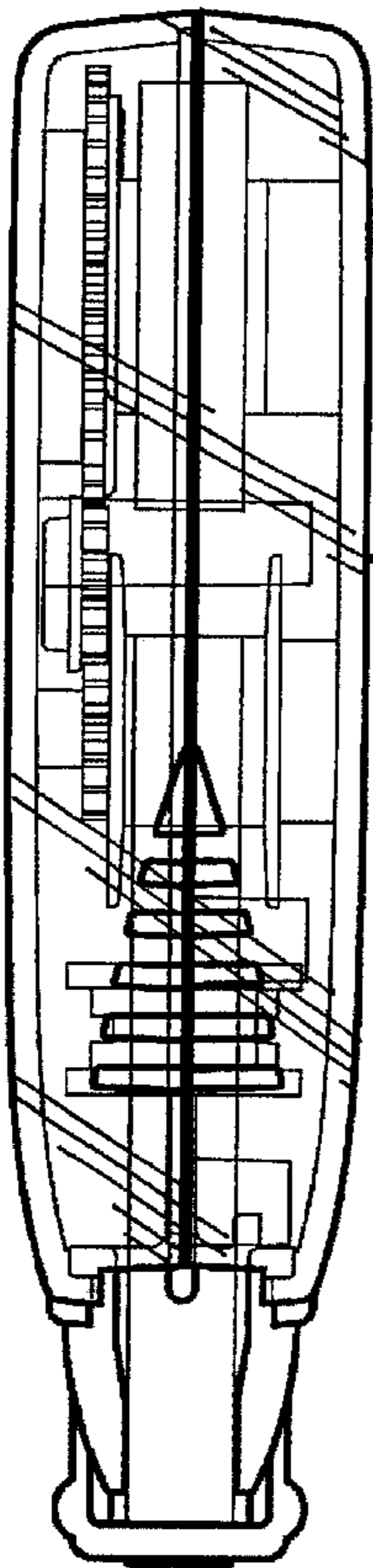


FIG. 4

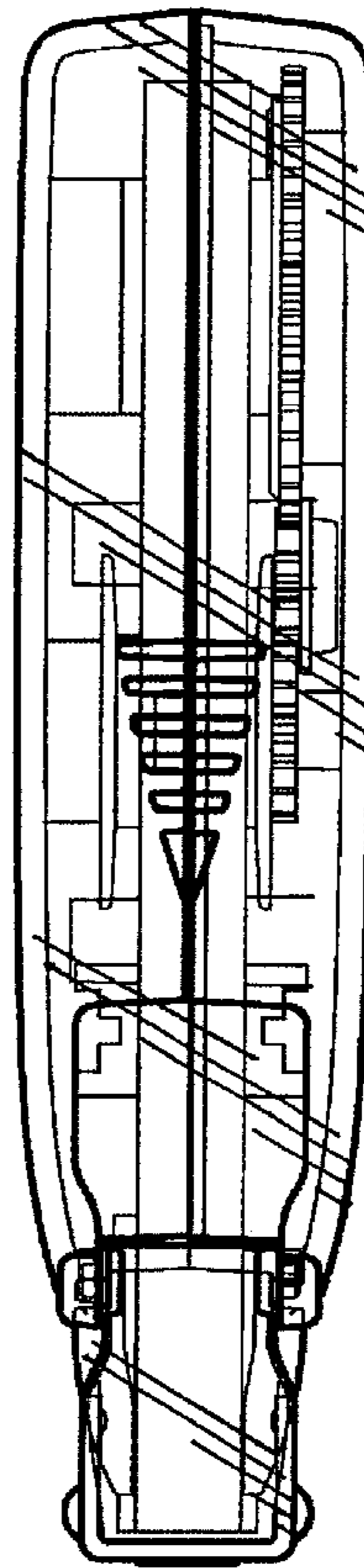


FIG. 7

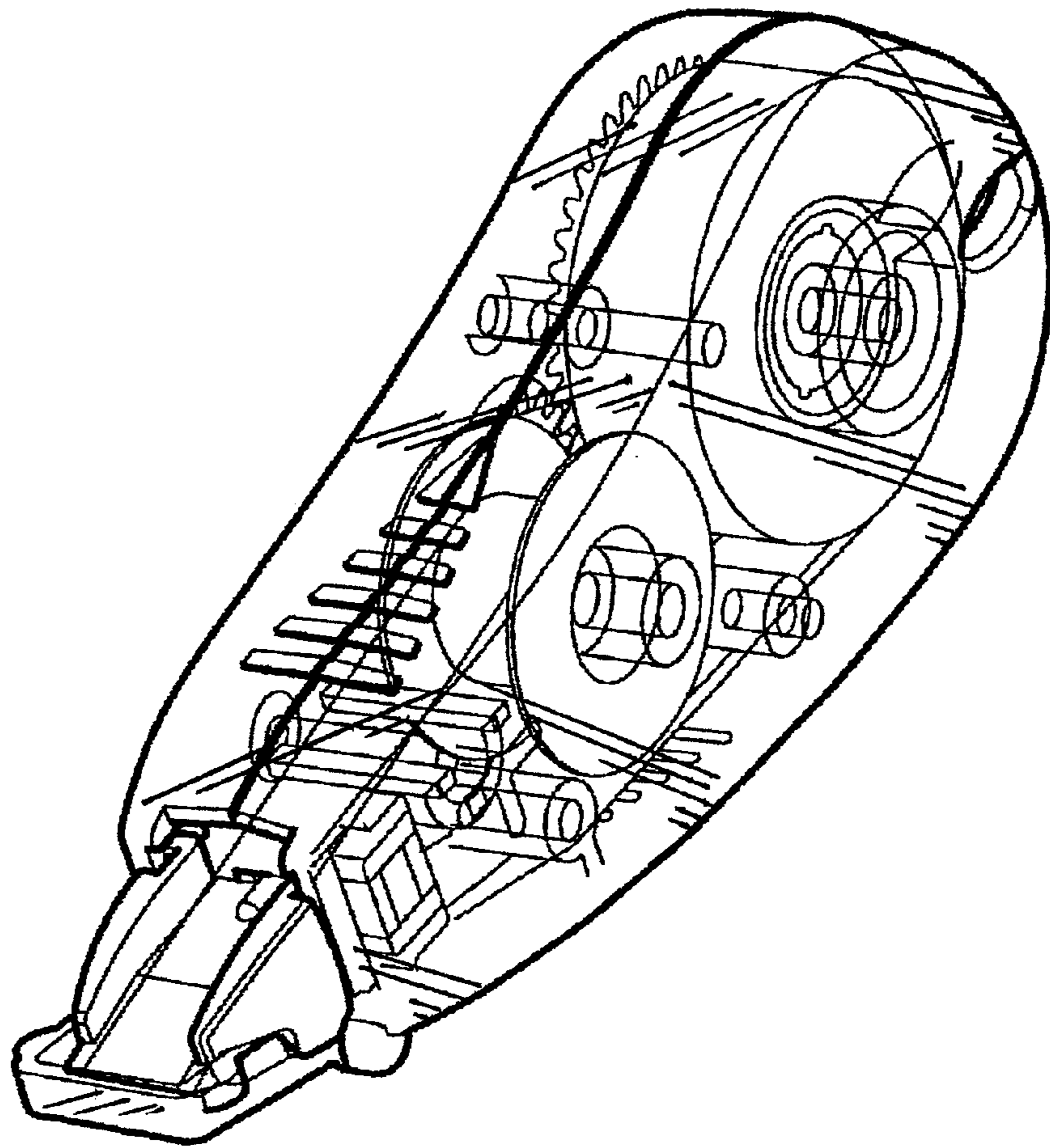


FIG. 8

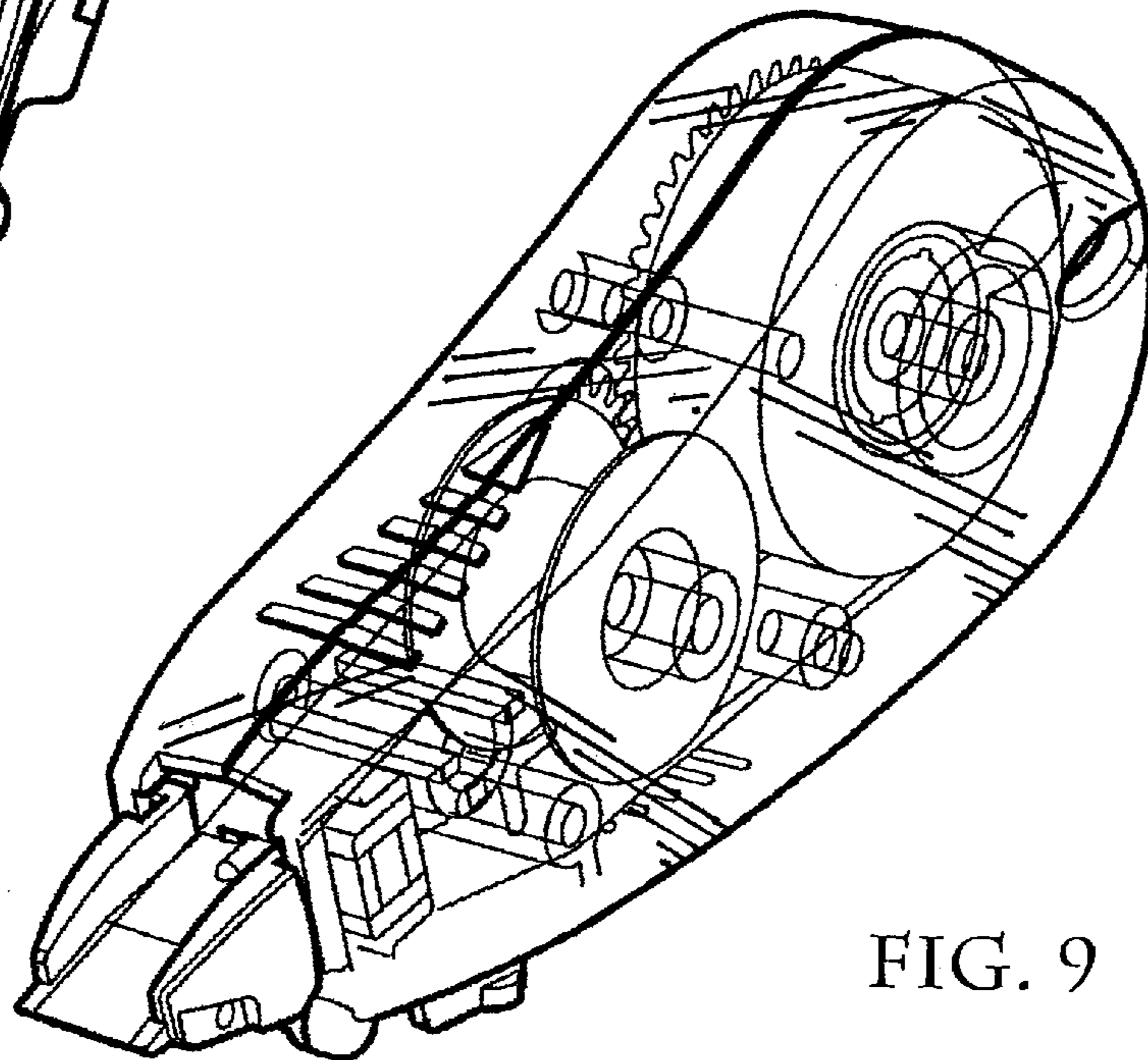
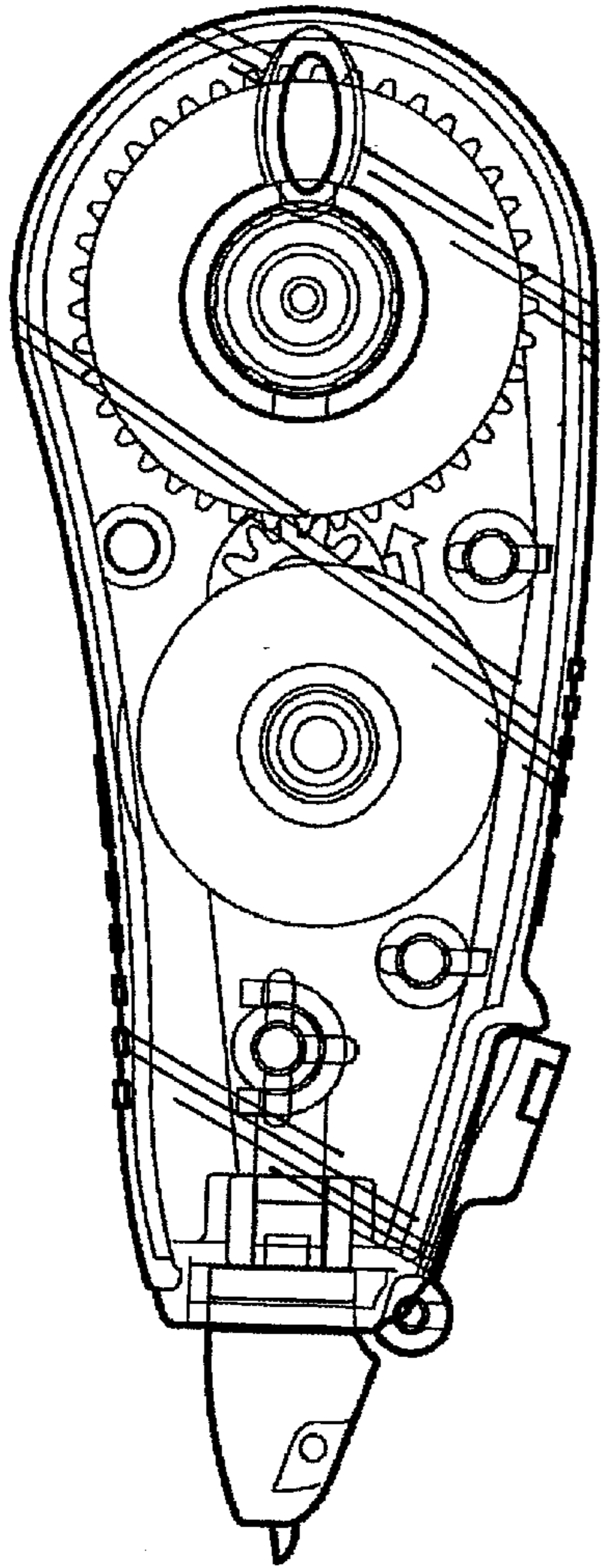


FIG. 9