



US00D543235S

(12) **United States Design Patent**
Hattori et al.

(10) **Patent No.:** **US D543,235 S**

(45) **Date of Patent:** **** May 22, 2007**

(54) **INK CARTRIDGE**

(75) Inventors: **Shingo Hattori**, Tsushima (JP);
Toyonori Sasaki, Anjyo (JP);
Tomohiro Kanbe, Nagoya (JP)

(73) Assignee: **Brother Industries, Ltd.**, Nagoya (JP)

(**) Term: **14 Years**

(21) Appl. No.: **29/256,705**

(22) Filed: **Mar. 24, 2006**

(30) **Foreign Application Priority Data**

Nov. 18, 2005 (JP) 2005-034126

(51) **LOC (8) Cl.** **18-02**

(52) **U.S. Cl.** **D18/56; 347/86**

(58) **Field of Classification Search** D18/12,
D18/40, 43, 56; D14/481, 483; 347/29, 33,
347/49-50, 86-87, 178, 214; 399/25, 110
See application file for complete search history.

(56) **References Cited**

U.S. PATENT DOCUMENTS

5,477,963 A * 12/1995 Mochizuki et al. 347/86

5,629,728 A * 5/1997 Karita et al. 347/87
D428,915 S * 8/2000 Hmelar et al. D18/56
D430,600 S * 9/2000 Murcia et al. D18/56
D448,797 S * 10/2001 Carrese et al. D18/56
D521,063 S * 5/2006 Sasaki et al. D18/56
2004/0027430 A1 * 2/2004 Anderson et al. 347/86
2004/0027432 A1 * 2/2004 Childers et al. 347/86

* cited by examiner

Primary Examiner—Cathy Anne MacCormac

(74) *Attorney, Agent, or Firm*—Oliff & Berridge, PLC

(57) **CLAIM**

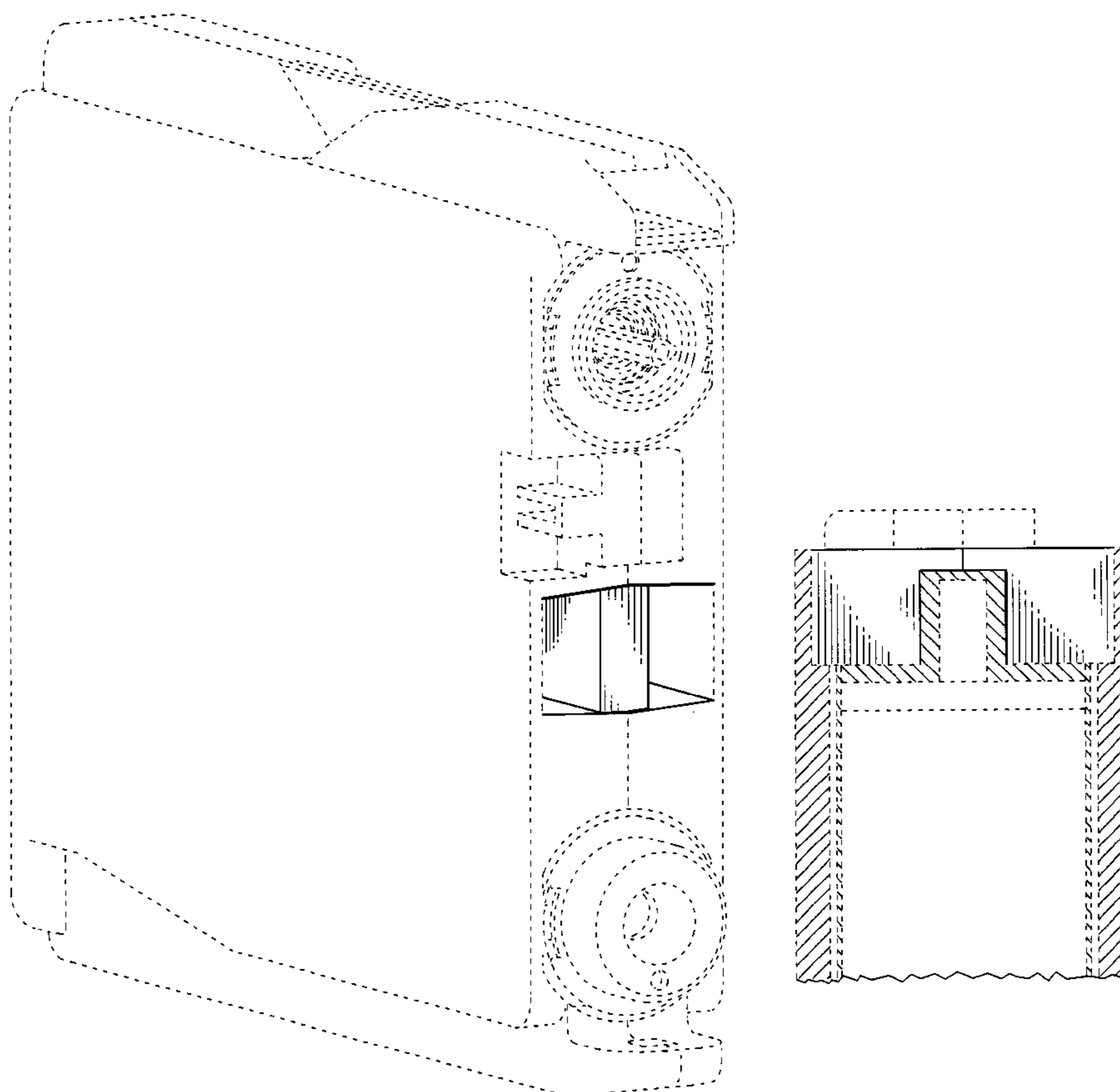
The ornamental design for an ink cartridge, as shown and described.

DESCRIPTION

FIG. 1 is a perspective view of an ink cartridge;
FIG. 2 is a right side view thereof; and,
FIG. 3 is an enlarged partial cross-sectional view thereof
taken along the lines 3—3 of FIG. 2 and between the arrows
A—A of FIG. 2.

The broken lines are for illustrative purposes only and form
no part of the claimed design.

1 Claim, 3 Drawing Sheets



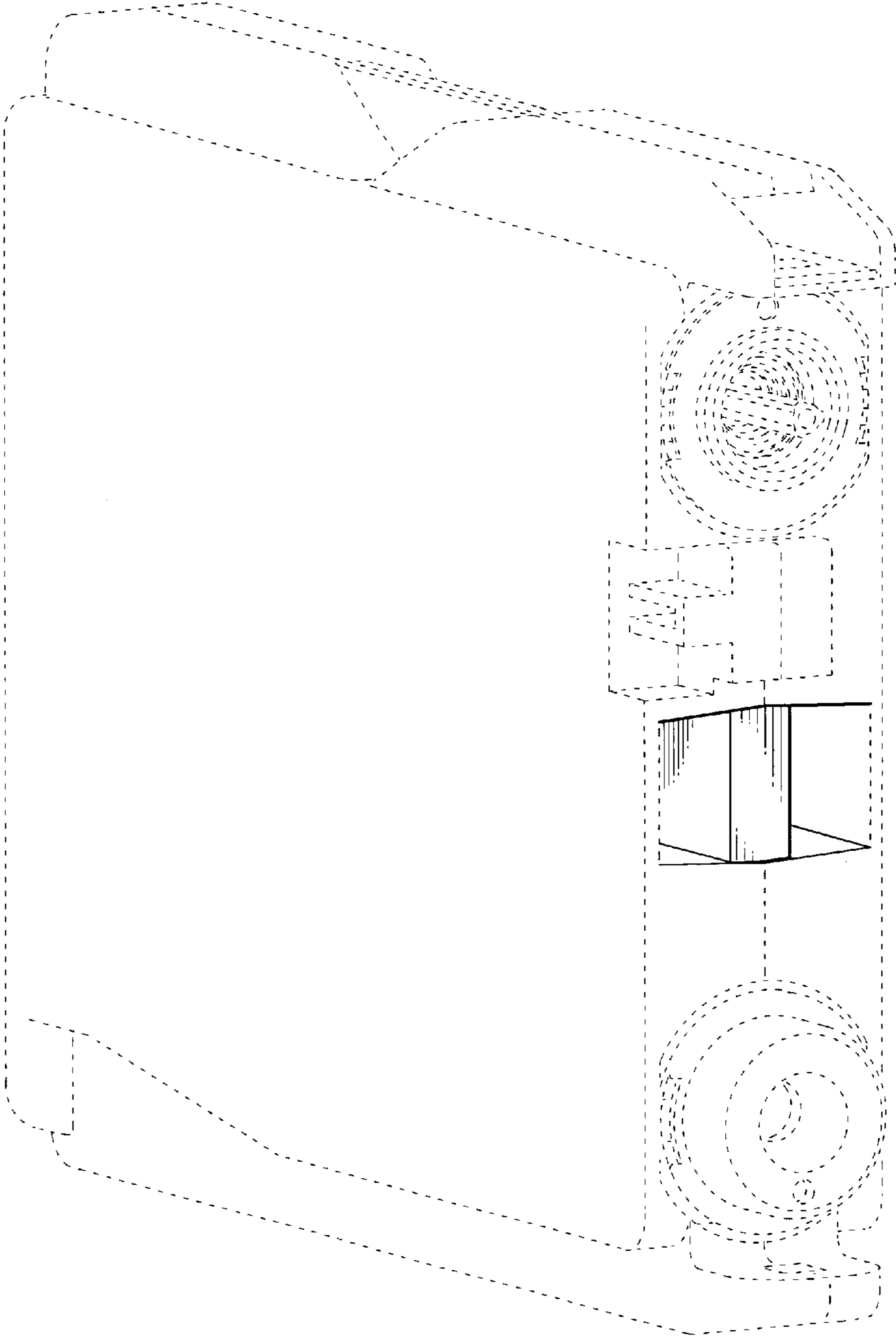


FIG. 1

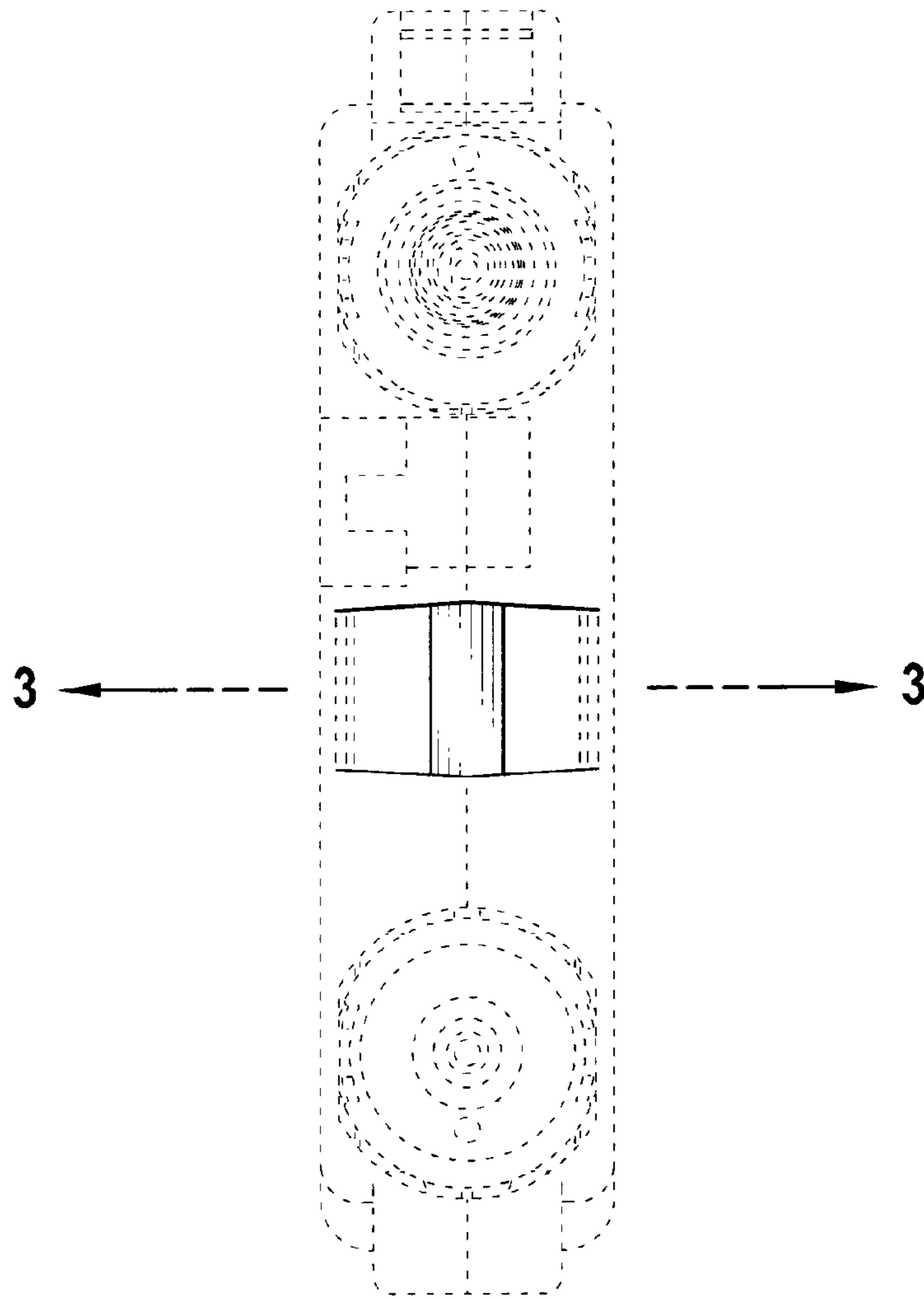


FIG. 2

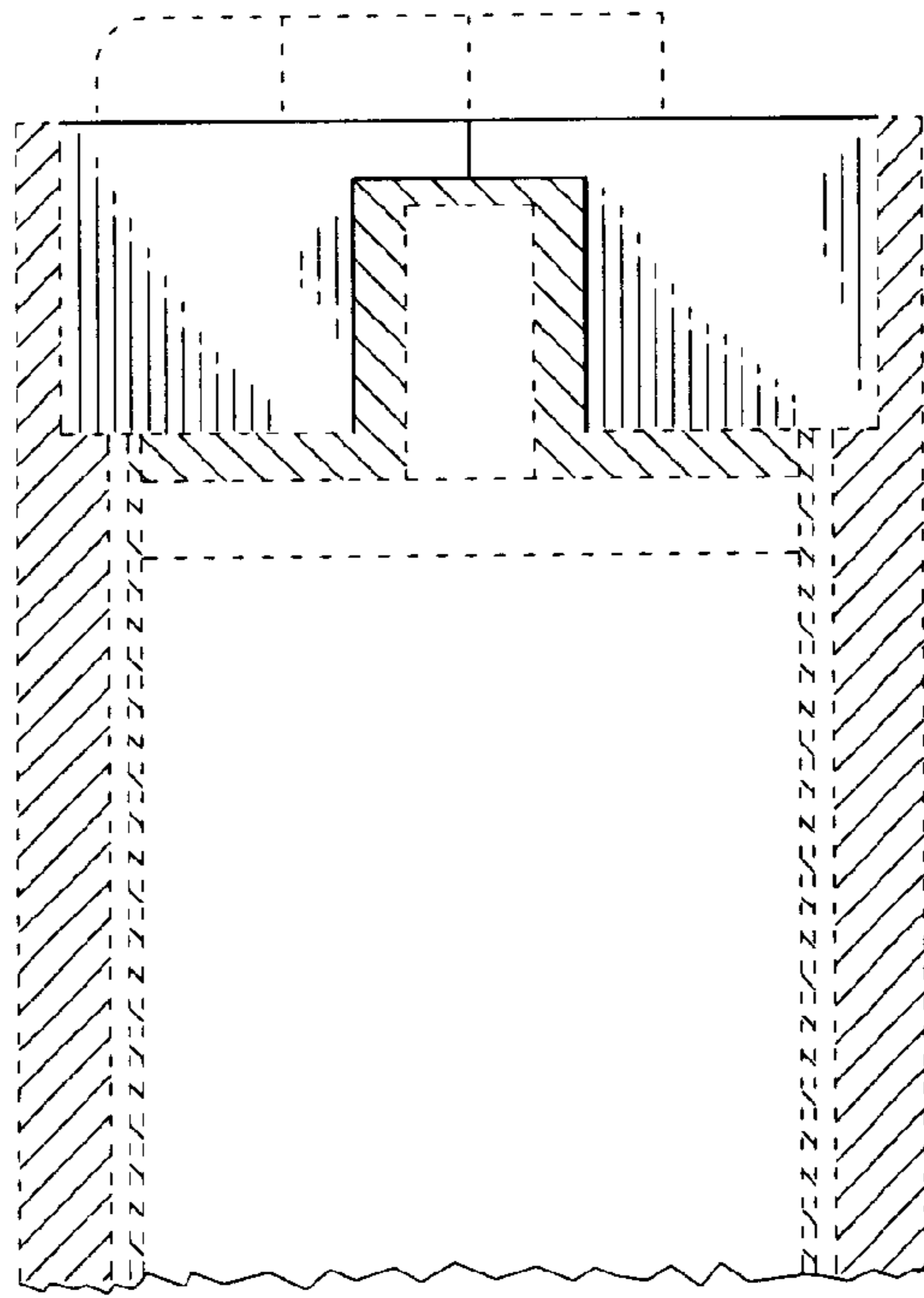


FIG. 3

UNITED STATES PATENT AND TRADEMARK OFFICE
CERTIFICATE OF CORRECTION

PATENT NO. : Des. 543,235 S
APPLICATION NO. : 29/256705
DATED : May 22, 2007
INVENTOR(S) : Shingo Hattori, Toyonori Sasaki and Tomohiro Kanbe

Page 1 of 2

It is certified that error appears in the above-identified patent and that said Letters Patent is hereby corrected as shown below:

Drawings - delete sheet 2 of 3 and replace Fig. 2 with the attached replacement sheet.

Signed and Sealed this

Seventh Day of August, 2007

A handwritten signature in black ink on a light gray dotted background. The signature reads "Jon W. Dudas" in a cursive style.

JON W. DUDAS

Director of the United States Patent and Trademark Office

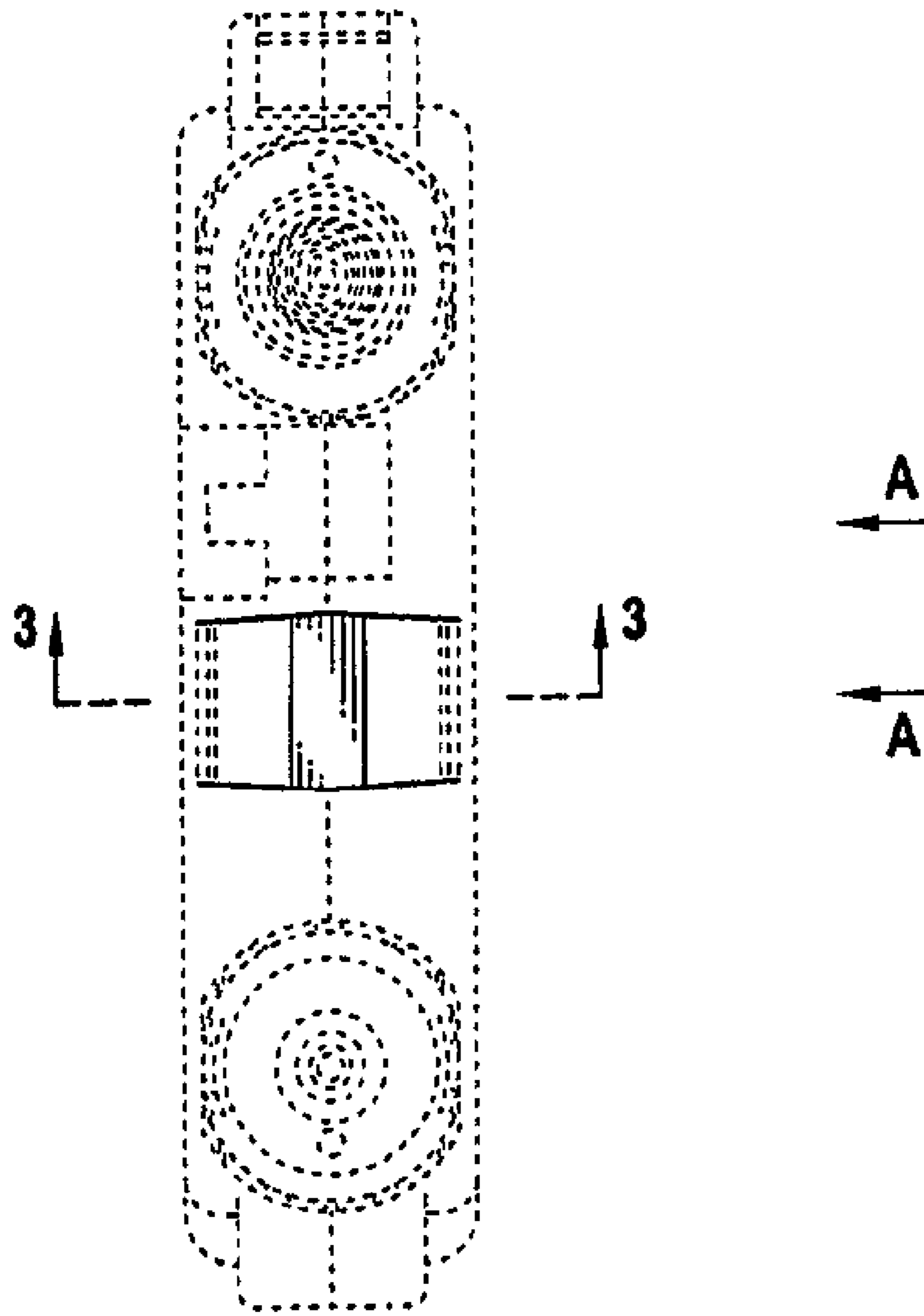


FIG. 2