



US00D543234S

(12) **United States Design Patent**
Hattori et al.

(10) **Patent No.:** **US D543,234 S**

(45) **Date of Patent:** **** May 22, 2007**

(54) **INK CARTRIDGE**

(75) Inventors: **Shingo Hattori**, Tsushima (JP);
Toyonori Sasaki, Anjyo (JP);
Tomohiro Kanbe, Nagoya (JP)

(73) Assignee: **Brother Industries, Ltd.**, Nagoya (JP)

(**) Term: **14 Years**

(21) Appl. No.: **29/256,703**

(22) Filed: **Mar. 24, 2006**

(30) **Foreign Application Priority Data**

Nov. 18, 2005 (JP) 2005-034125

(51) **LOC (8) Cl.** **18-02**

(52) **U.S. Cl.** **D18/56; 347/86**

(58) **Field of Classification Search** D18/12,
D18/40, 43, 56; D14/481, 483; 347/29, 33,
347/49-50, 86-87, 178, 214; 399/25, 110
See application file for complete search history.

(56) **References Cited**

U.S. PATENT DOCUMENTS

- D402,687 S * 12/1998 Sabonis D18/56
- D417,233 S * 11/1999 Sabonis D18/56
- D438,560 S * 3/2001 Inoue et al. D18/56
- 6,276,789 B1 * 8/2001 Miyazaki et al. 347/86
- D472,919 S * 4/2003 Shimizu et al. D18/56

- D489,757 S * 5/2004 Matsumoto D18/56
- D504,461 S * 4/2005 Sasaki D18/56
- D523,075 S * 6/2006 Sasaki et al. D18/56
- D527,047 S * 8/2006 Wakayama et al. D18/56
- D528,598 S * 9/2006 Ishizawa et al. D18/56

* cited by examiner

Primary Examiner—Cathy Anne MacCormac

(74) *Attorney, Agent, or Firm*—Oliff & Berridge, PLC

(57) **CLAIM**

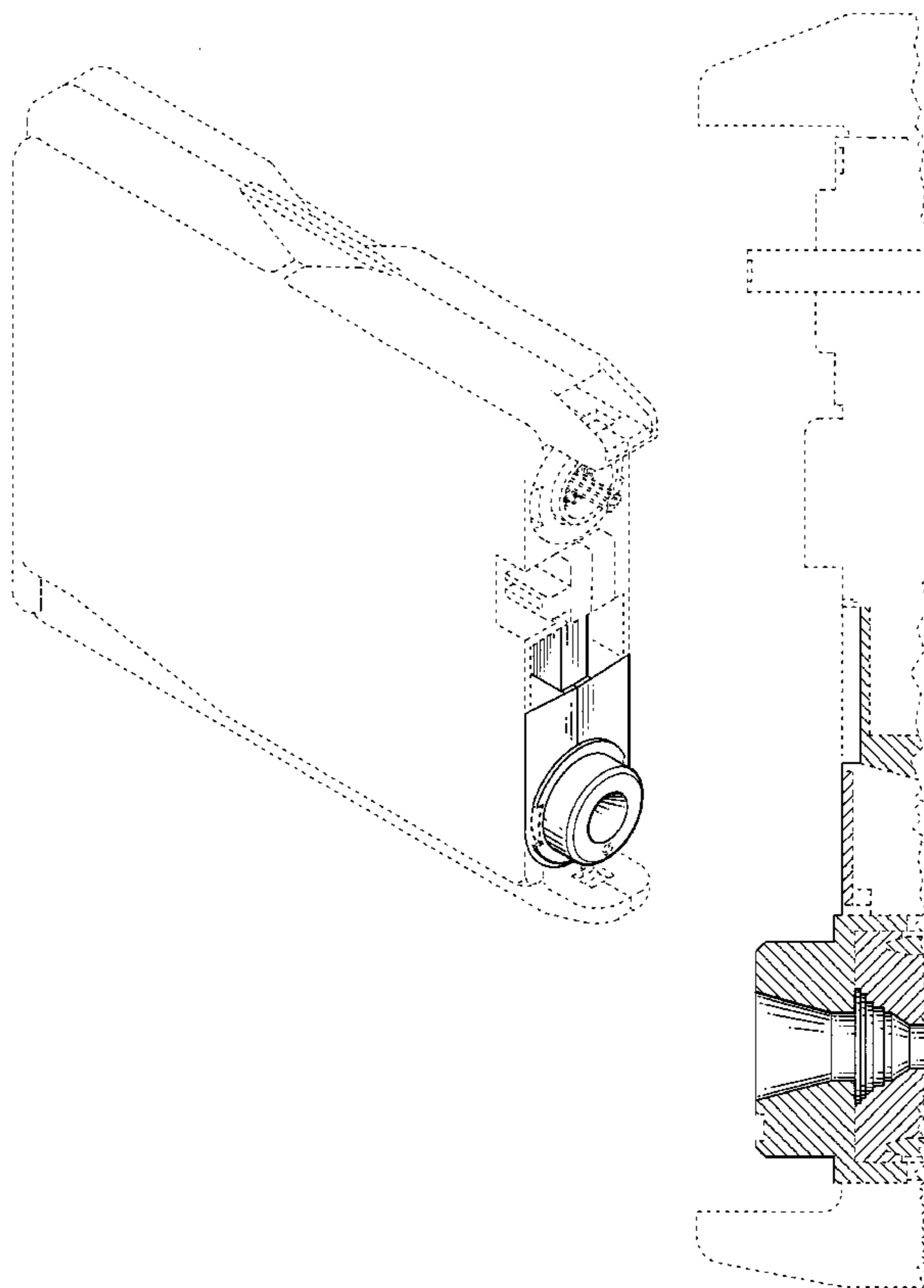
The ornamental design for an ink cartridge, as shown and described.

DESCRIPTION

FIG. 1 is a perspective view of an ink cartridge;
 FIG. 2 is a front view thereof;
 FIG. 3 is a top view thereof;
 FIG. 4 is a right side view thereof;
 FIG. 5 is a rear view thereof;
 FIG. 6 is a bottom view thereof;
 FIG. 7 is an enlarged partial cross-sectional view thereof taken along the line 7—7 of FIG. 4; and,
 FIG. 8 is an enlarged partial cross-sectional view thereof taken along the lines 3—3 of FIG. 2 and between the arrows A—A of FIG. 2.

The broken lines are for illustrative purposes only and form no part of the claimed design.

1 Claim, 7 Drawing Sheets



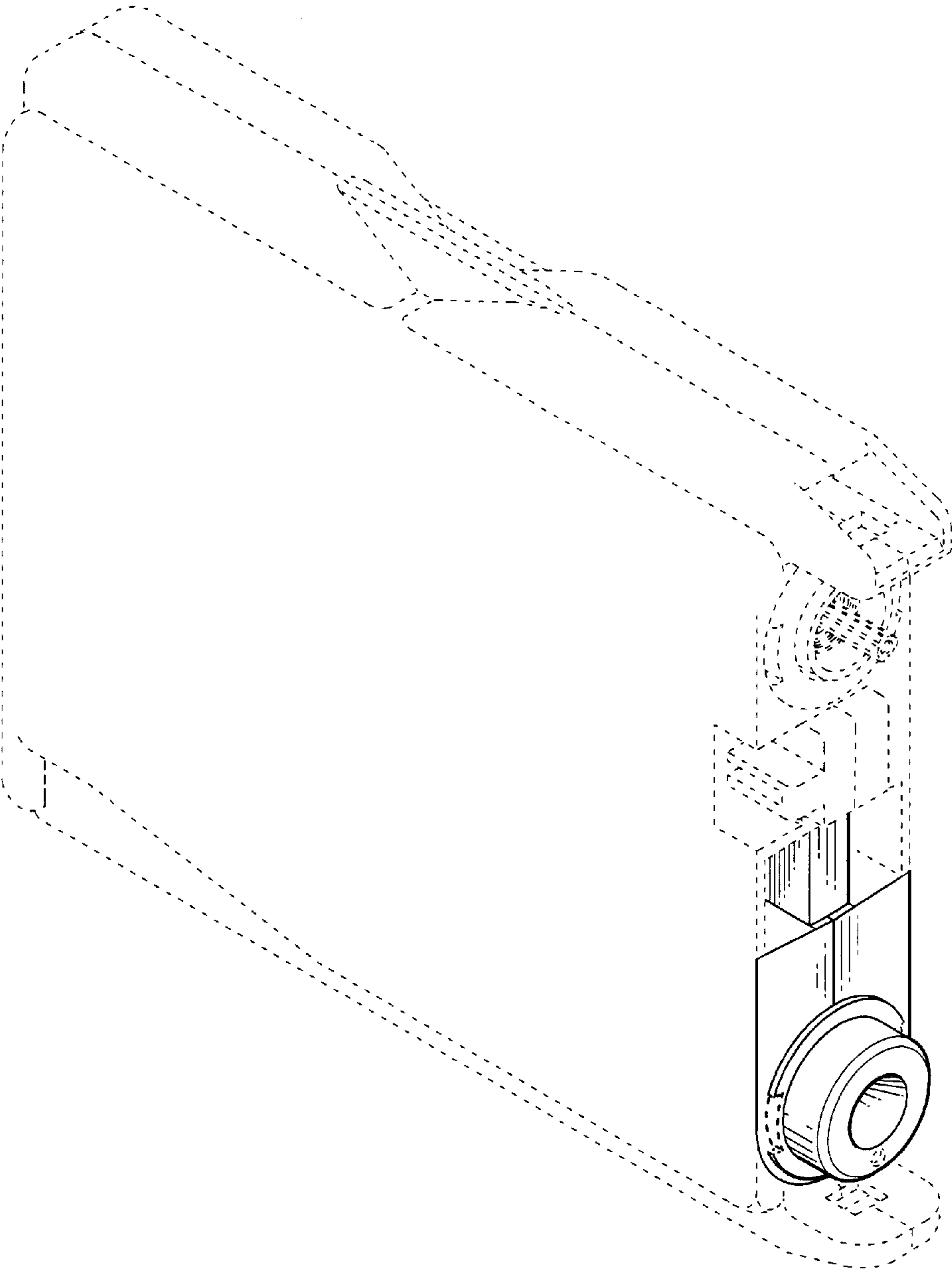


FIG. 1

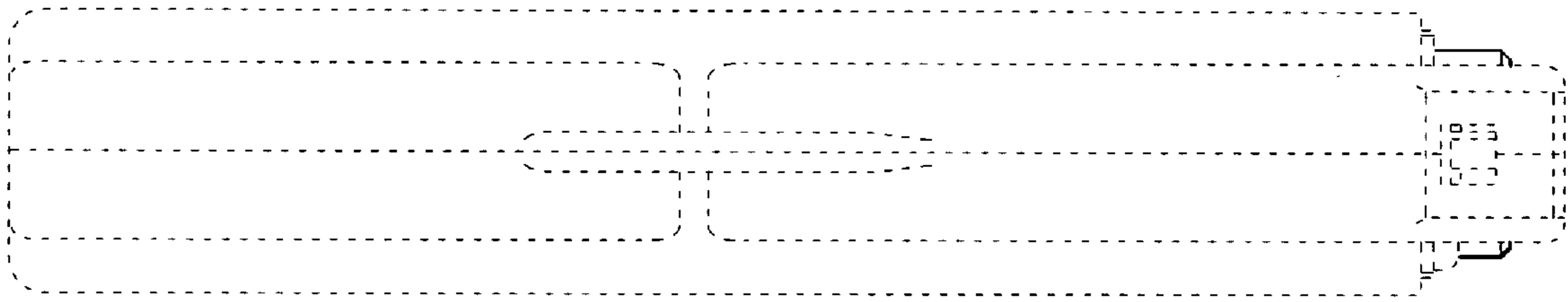


FIG. 3

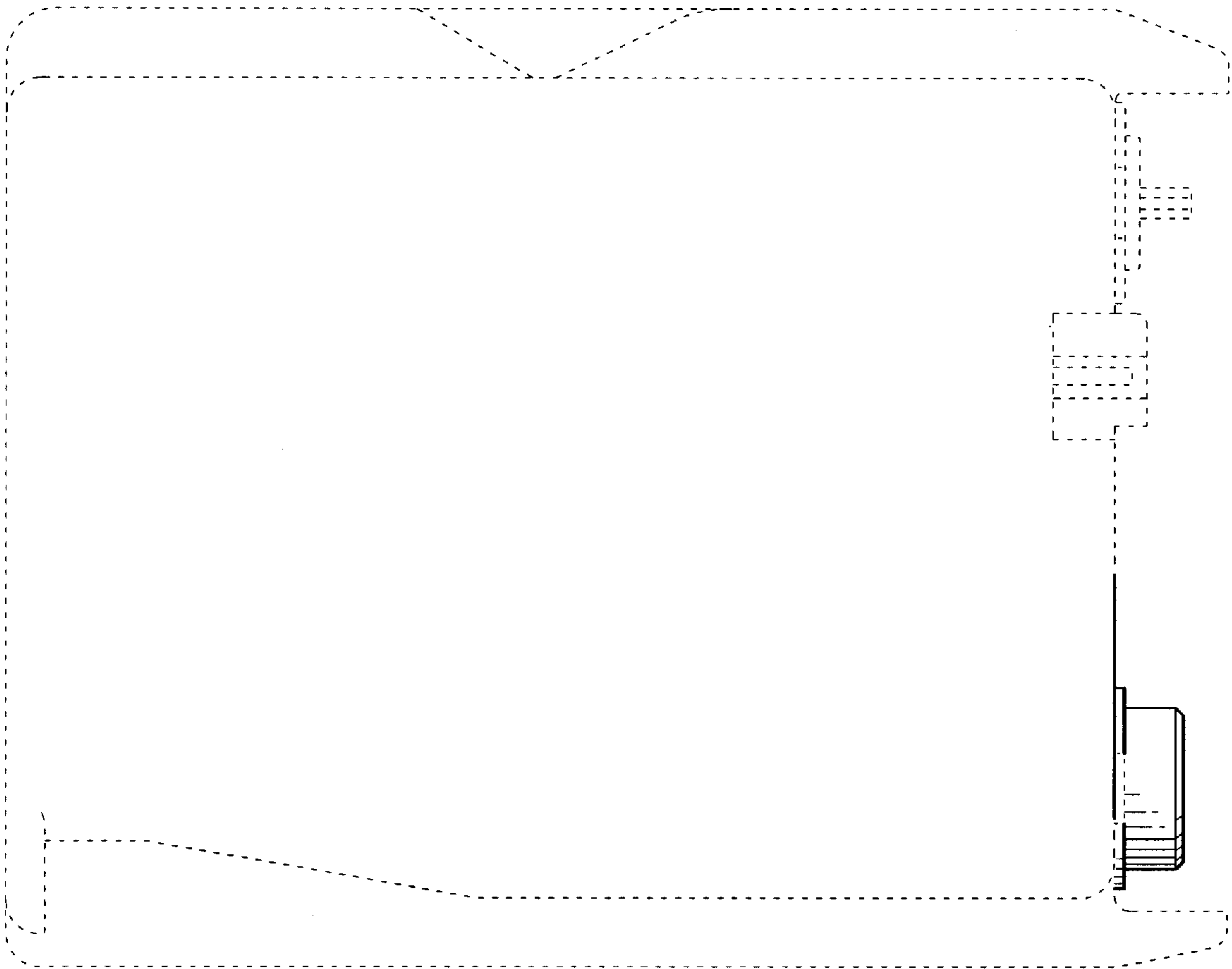


FIG. 2

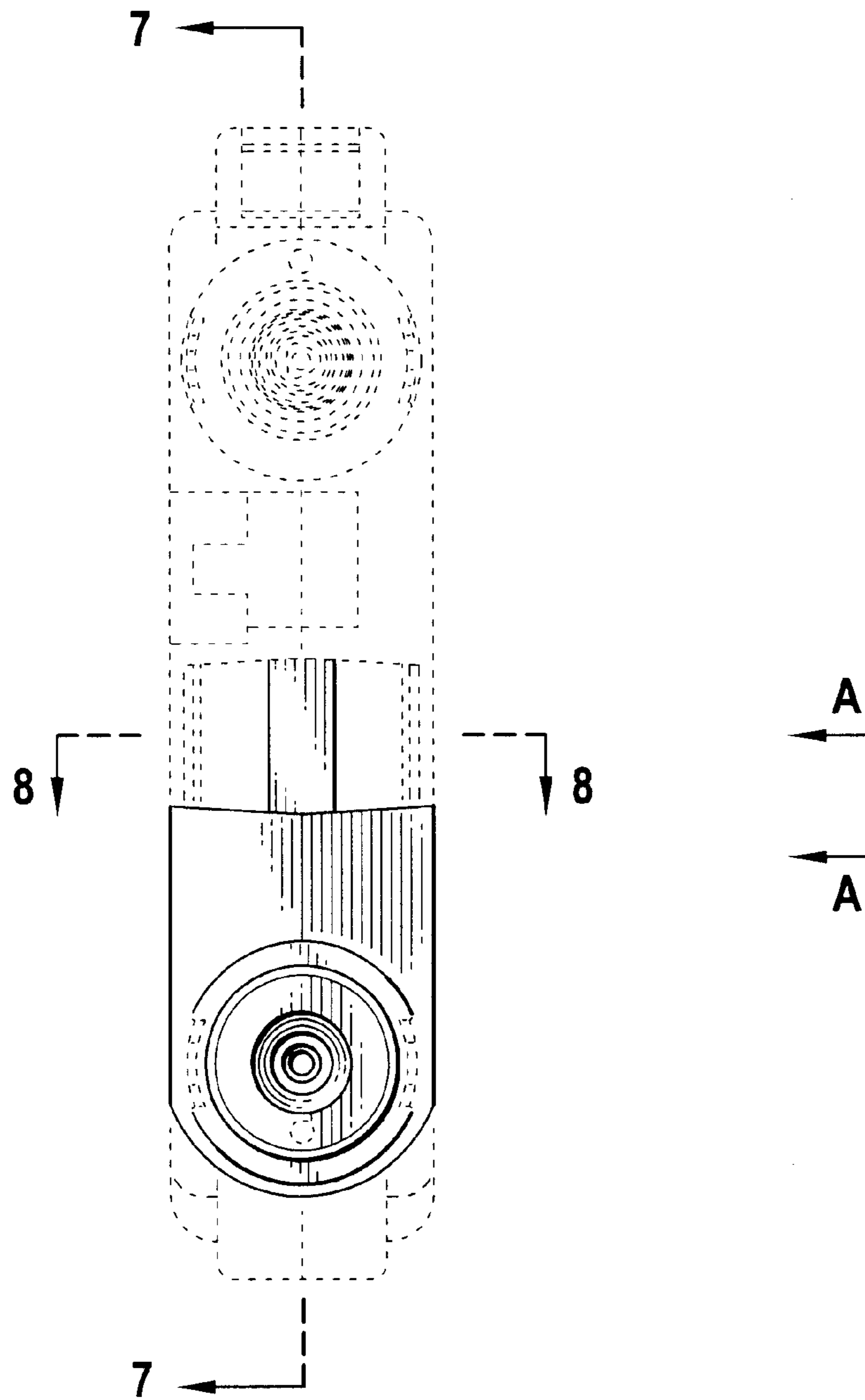


FIG. 4

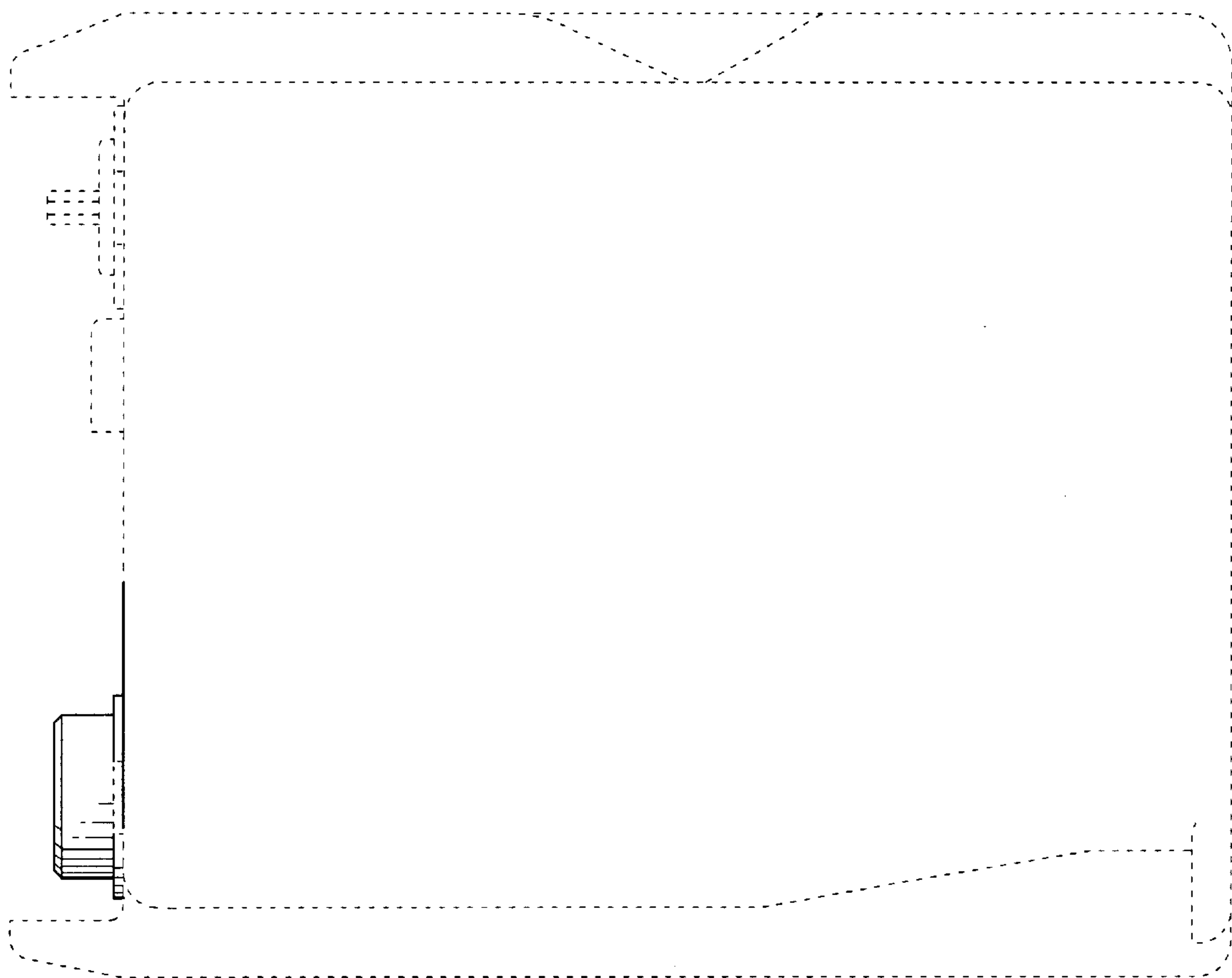
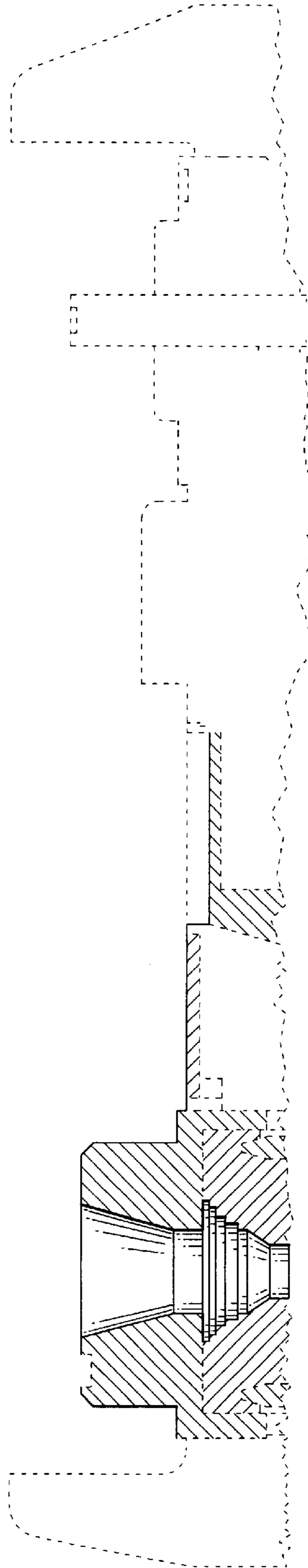


FIG. 5



FIG. 6

FIG. 7



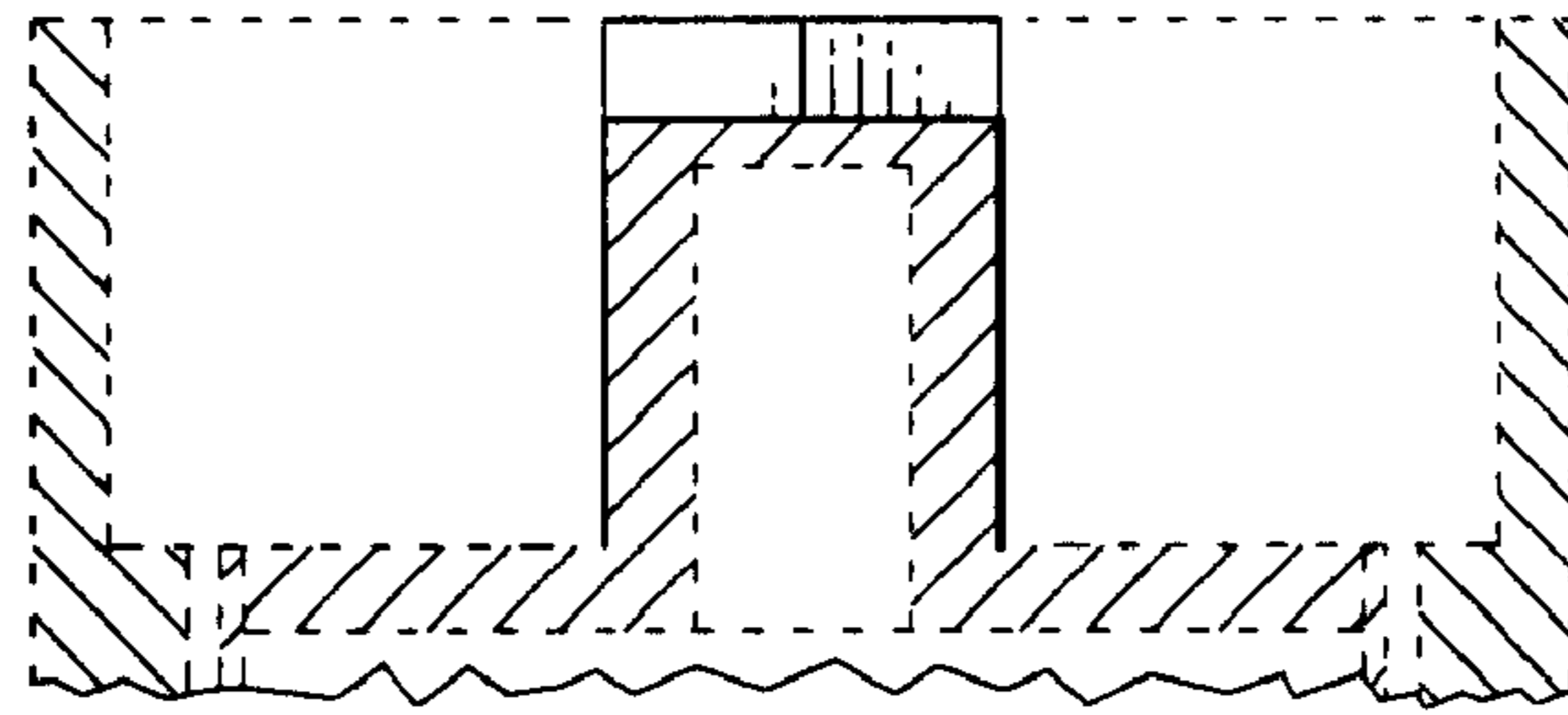


FIG. 8