

US00D543233S

(12) **United States Design Patent**
Inaguma

(10) **Patent No.:** **US D543,233 S**

(45) **Date of Patent:** **** May 22, 2007**

(54) **STAMP**

D419,180 S * 1/2000 Yasoshima D18/17
D428,434 S * 7/2000 Yasoshima D18/17

(75) Inventor: **Shoichi Inaguma**, Aichi (JP)

FOREIGN PATENT DOCUMENTS

(73) Assignee: **Shachihata Inc.**, Aichi (JP)

JP 401003 2/1954
JP 577922 5/1982
JP 625794 5/1984
JP 1121233 9/2001

(**) Term: **14 Years**

(21) Appl. No.: **29/233,507**

* cited by examiner

(22) Filed: **Jul. 6, 2005**

Primary Examiner—Charles A. Rademaker

(30) **Foreign Application Priority Data**

(74) *Attorney, Agent, or Firm*—Jacobson Holman PLLC

Mar. 3, 2005 (JP) 2005-006197

(57) **CLAIM**

(51) **LOC (8) Cl.** **19-02**

The ornamental design for a stamp, as shown and described.

(52) **U.S. Cl.** **D18/15**

DESCRIPTION

(58) **Field of Classification Search** D18/15–18,
D18/50; 101/333–334, 327, 405, 406, 328,
101/352.07; 118/264, 268

FIG. 1 is a top perspective view of a stamp showing my new design;
FIG. 2 is a front elevation thereof;
FIG. 3 is a rear elevation thereof;
FIG. 4 is a left side elevation thereof;
FIG. 5 is a right side elevation thereof;
FIG. 6 is a top plan view thereof;
FIG. 7 is a bottom plan view thereof;
FIG. 8 is a cross-sectional view thereof taken along line B—B in FIG. 5; and,
FIG. 9 is a cross-sectional view thereof taken along line A—A in FIG. 2.

See application file for complete search history.

(56) **References Cited**

U.S. PATENT DOCUMENTS

D184,720 S * 3/1959 Fleming D18/18
D219,842 S * 2/1971 Miller D18/15
D233,563 S * 11/1974 Funahashi D18/15
D236,754 S * 9/1975 Funahashi D18/15
D307,597 S * 5/1990 Levine D18/14
D323,848 S * 2/1992 Shigemura D18/14
D375,117 S * 10/1996 Keohan D18/17
D408,051 S * 4/1999 Faber D18/15

1 Claim, 3 Drawing Sheets

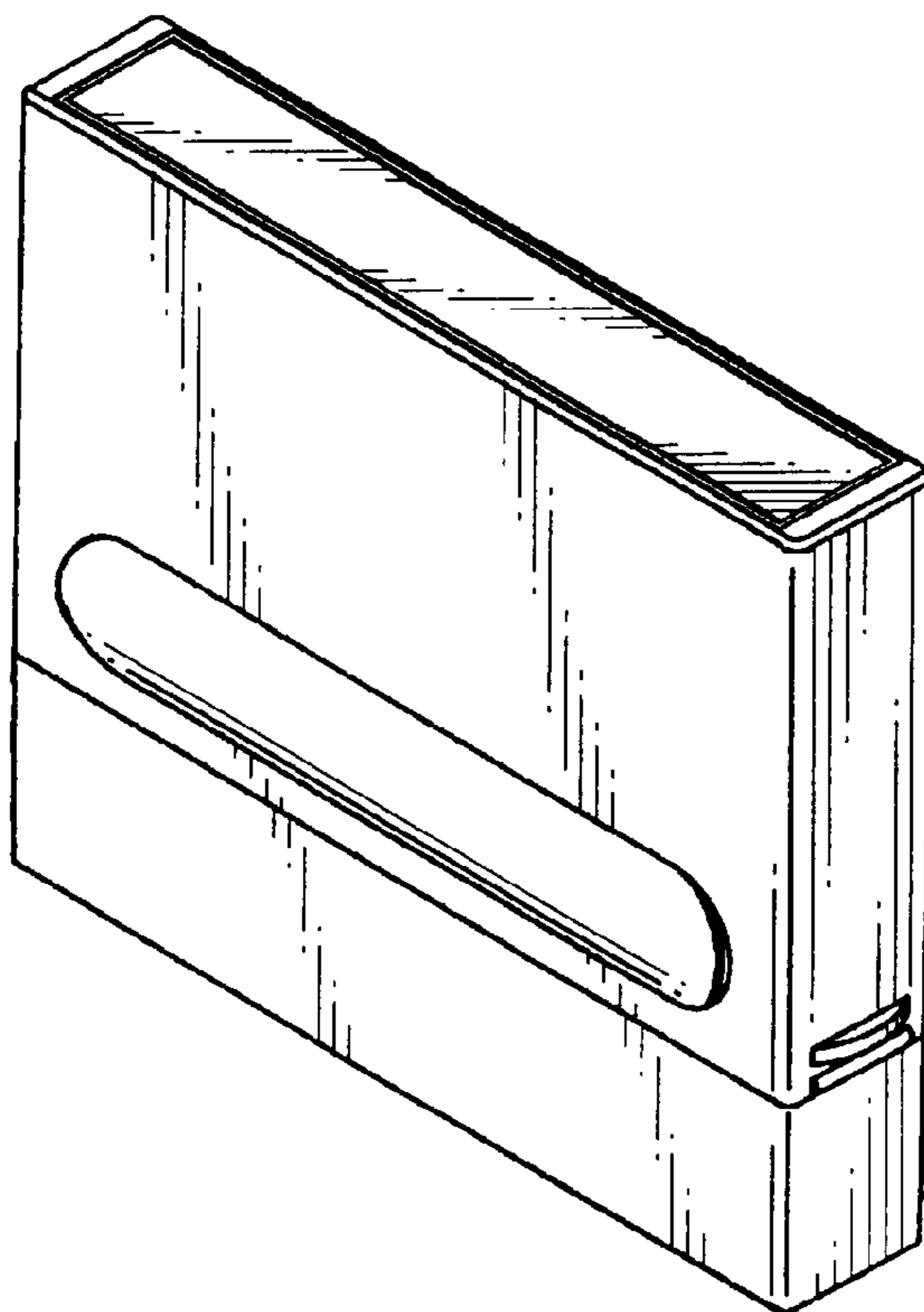


FIG. 1

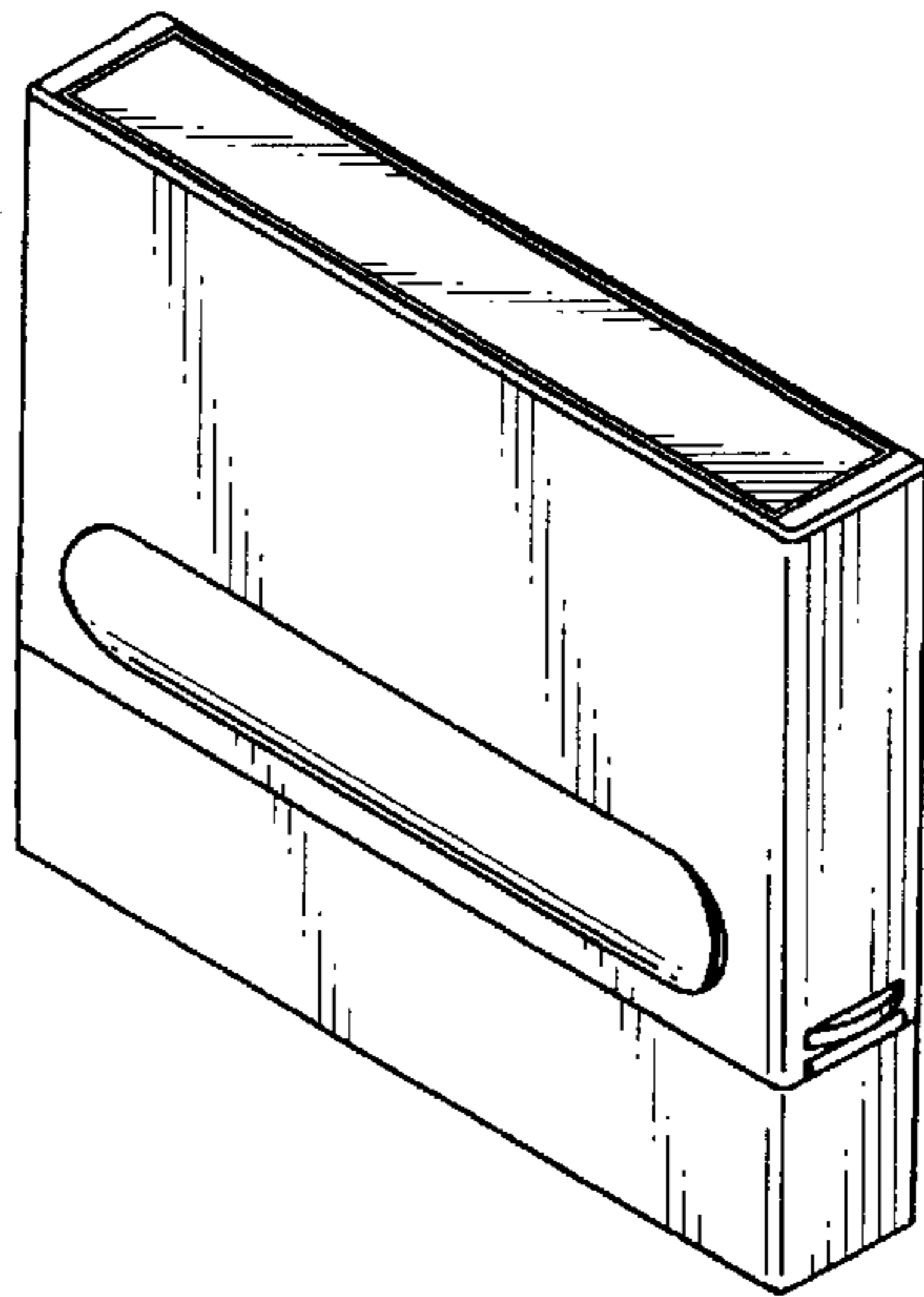


FIG. 2

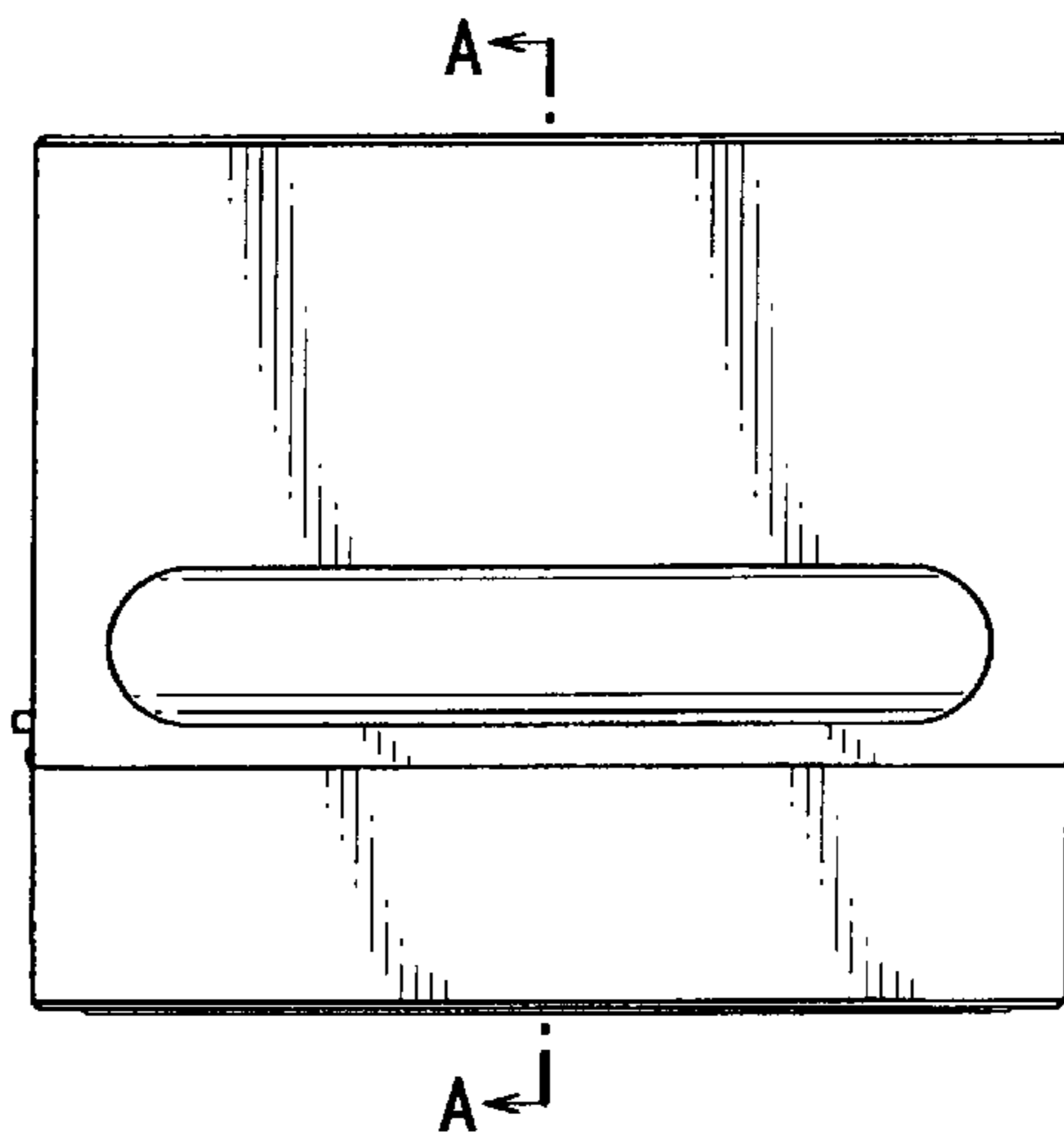


FIG. 3

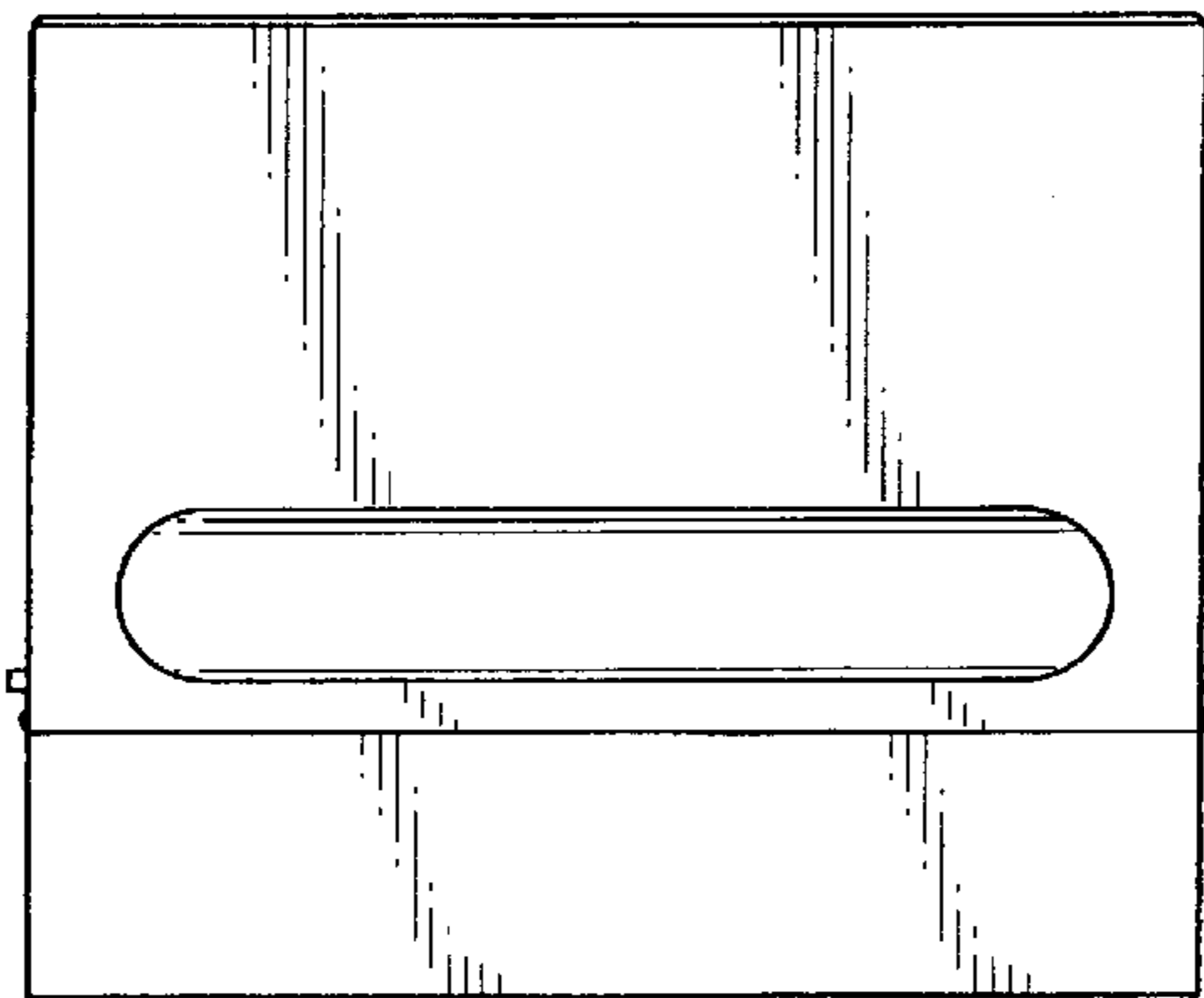


FIG. 4

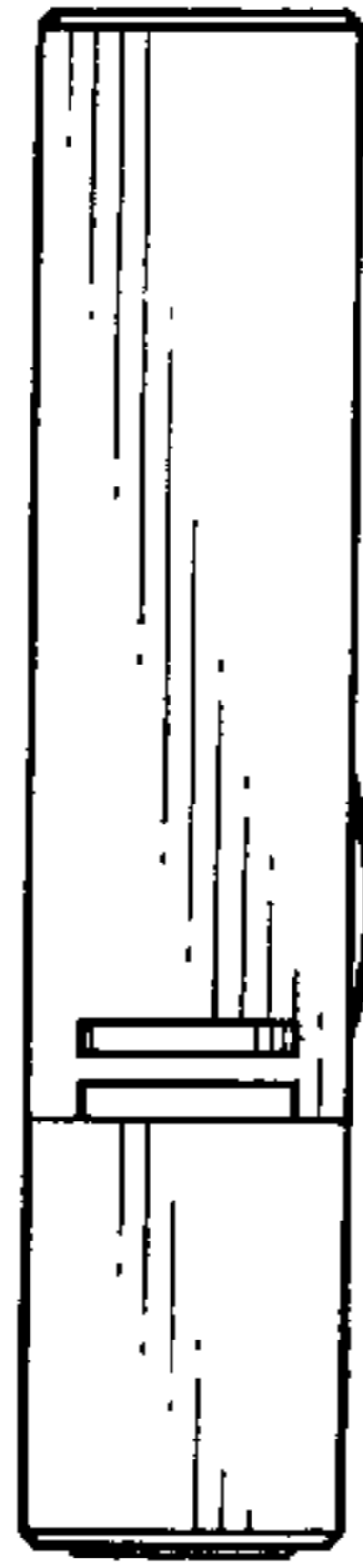


FIG. 5



FIG. 6

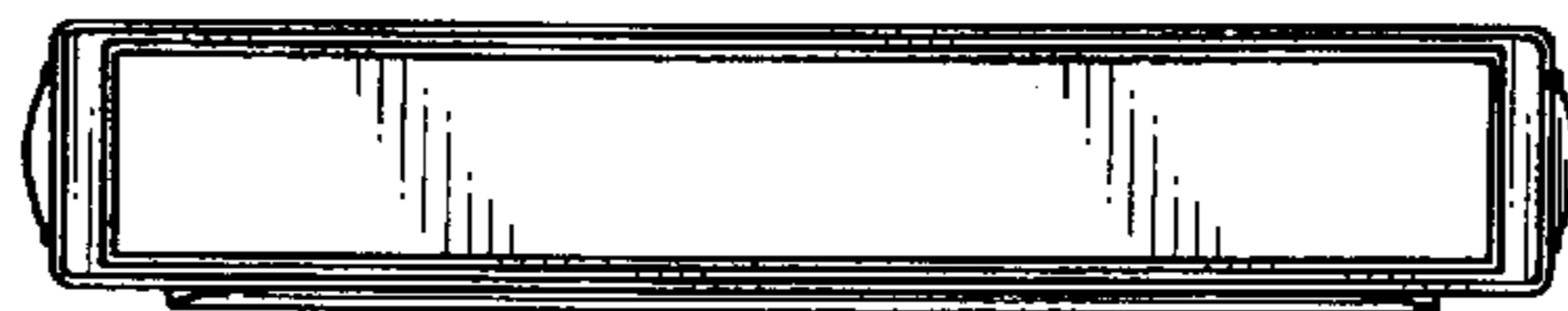


FIG. 7

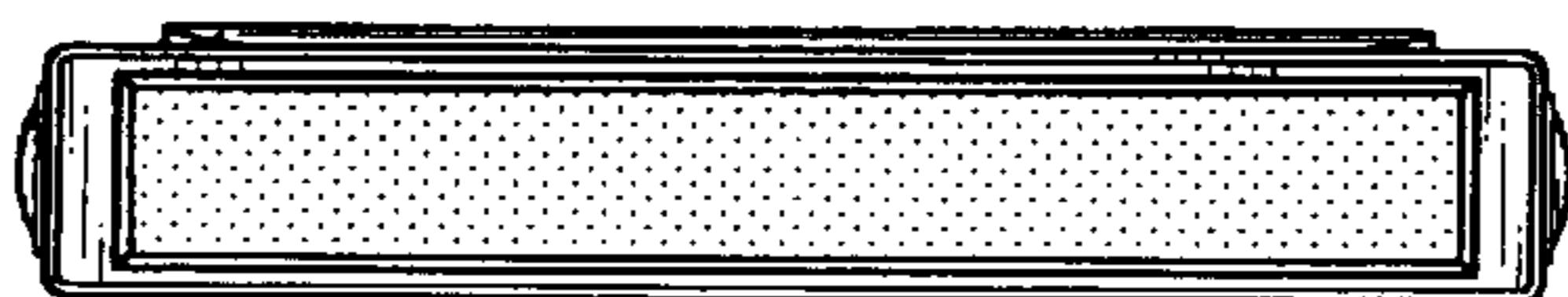


FIG. 8

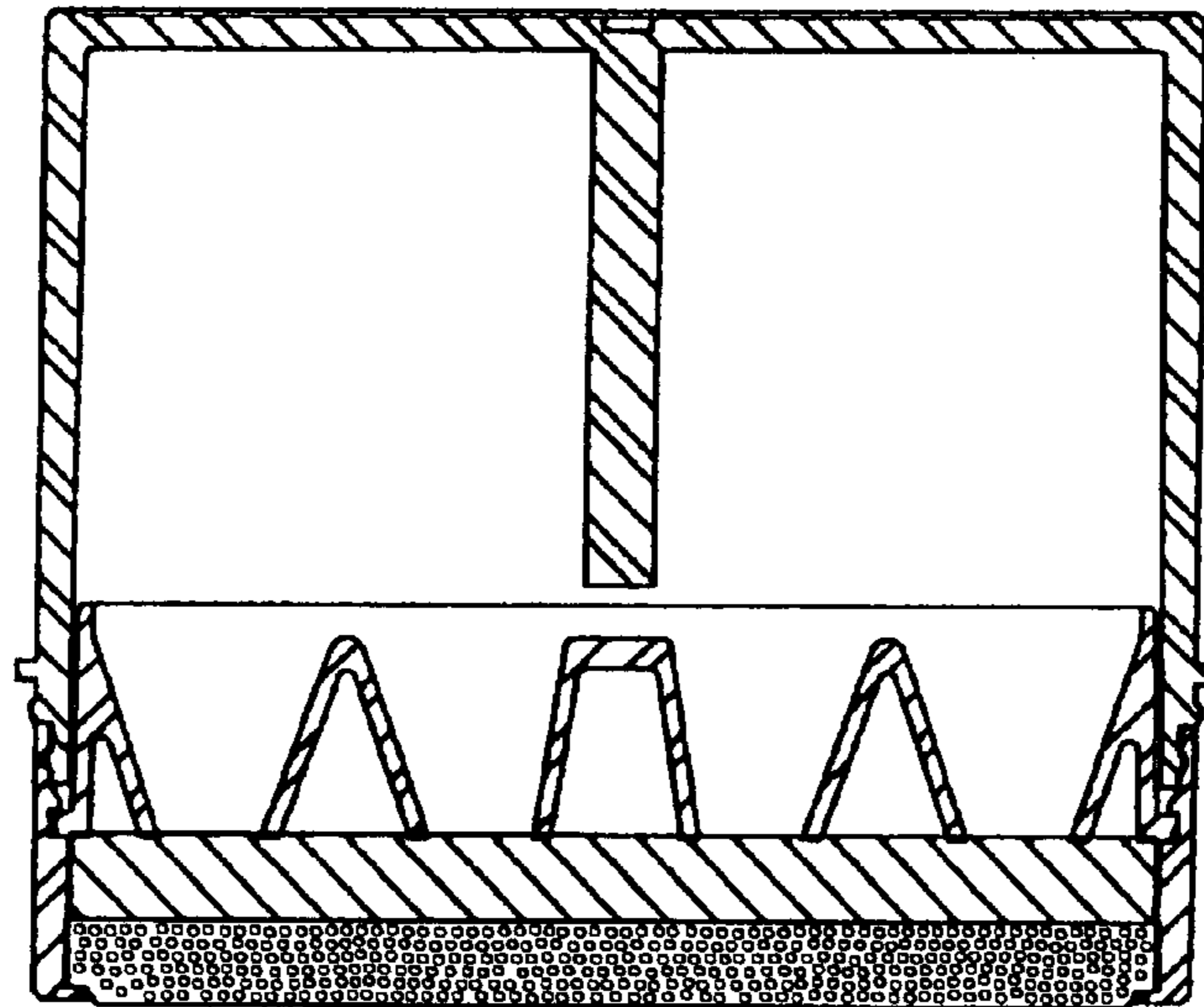


FIG. 9

