



US00D543231S

(12) **United States Design Patent** (10) **Patent No.:** **US D543,231 S**  
**Ando et al.** (45) **Date of Patent:** **\*\* May 22, 2007**

(54) **CASH REGISTER**

(75) Inventors: **Taku Ando**, Tokyo (JP); **Toshiyuki Ichikawa**, Atsugi (JP); **Youhei Shimura**, Tokyo (JP)

(73) Assignee: **Fujitsu Limited**, Kawasaki (JP)

(\*\*) Term: **14 Years**

(21) Appl. No.: **29/254,114**

(22) Filed: **Feb. 17, 2006**

(30) **Foreign Application Priority Data**

Aug. 19, 2005 (JP) ..... 2005-024048

(51) **LOC (8) Cl.** ..... **18-01**

(52) **U.S. Cl.** ..... **D18/4.3**

(58) **Field of Classification Search** ..... D18/3.1-3.3, D18/4.1-4.6, 6-8, 11, 12, 12.1-12.3; D14/336, D14/371-376, 385-387; D21/324, 329, 332, D21/333; D99/28, 34-36, 43; 235/1 E, 2, 235/7 R, 12, 22, 33, 51, 52; 705/12, 15-18, 705/43

See application file for complete search history.

(56) **References Cited**

**U.S. PATENT DOCUMENTS**

D333,147 S \* 2/1993 Miyake et al. .... D18/4.3

D377,366 S \* 1/1997 Sato ..... D18/4.3  
D428,863 S \* 8/2000 Rahemtulla et al. .... D14/337  
D430,870 S \* 9/2000 Maruyama et al. .... D18/1  
D432,533 S \* 10/2000 Jin ..... D14/336  
D442,951 S \* 5/2001 Hill et al. .... D14/336  
D451,917 S \* 12/2001 Rahemtulla et al. .... D14/337  
7,017,803 B2 \* 3/2006 Ichikawa et al. .... 235/379  
D527,759 S \* 9/2006 Ono ..... D18/4.5  
D529,073 S \* 9/2006 Ono ..... D18/4.5

\* cited by examiner

*Primary Examiner*—Caron D. Veynar

*Assistant Examiner*—Garth Rademaker

(74) *Attorney, Agent, or Firm*—Staas & Halsey LLP

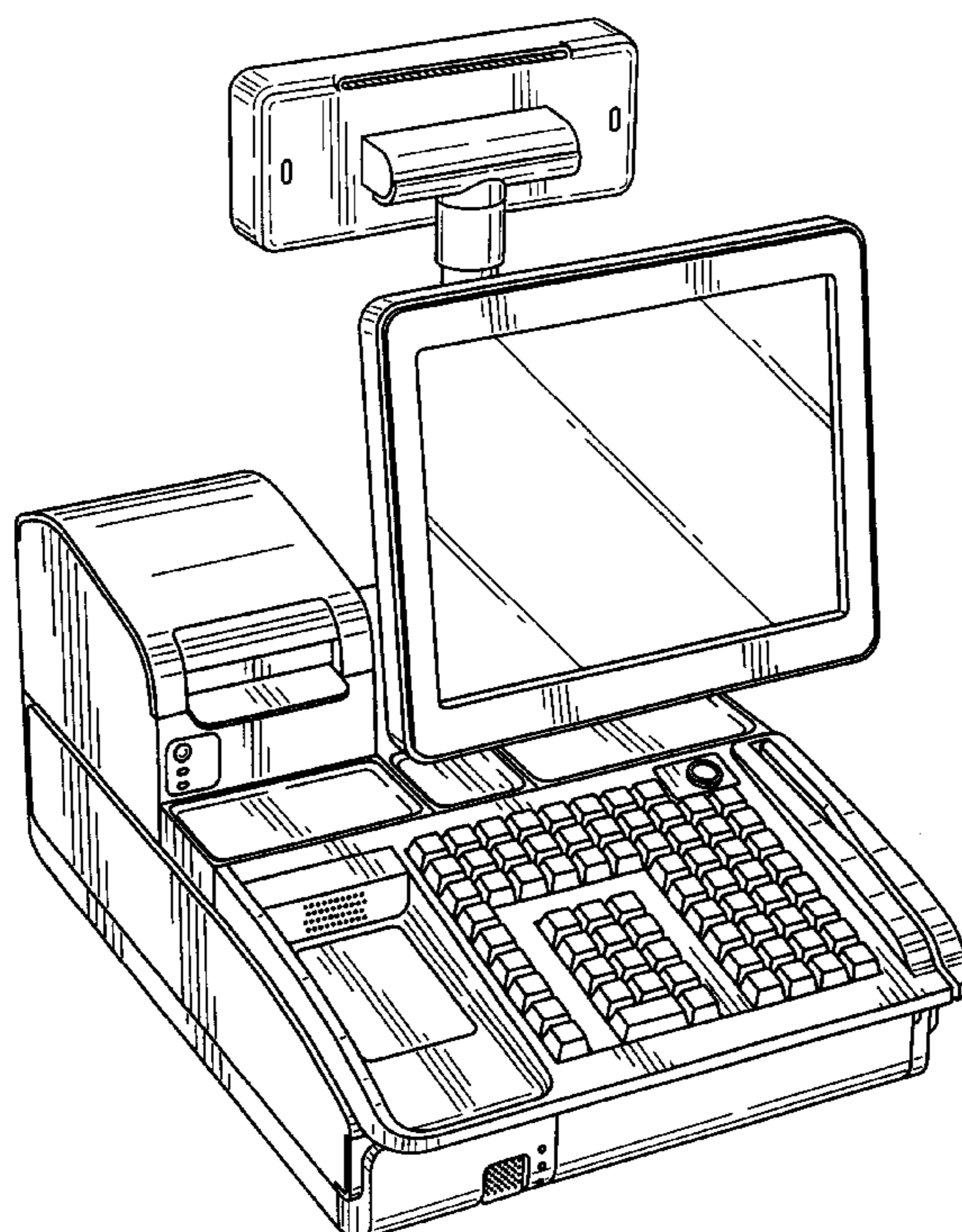
(57) **CLAIM**

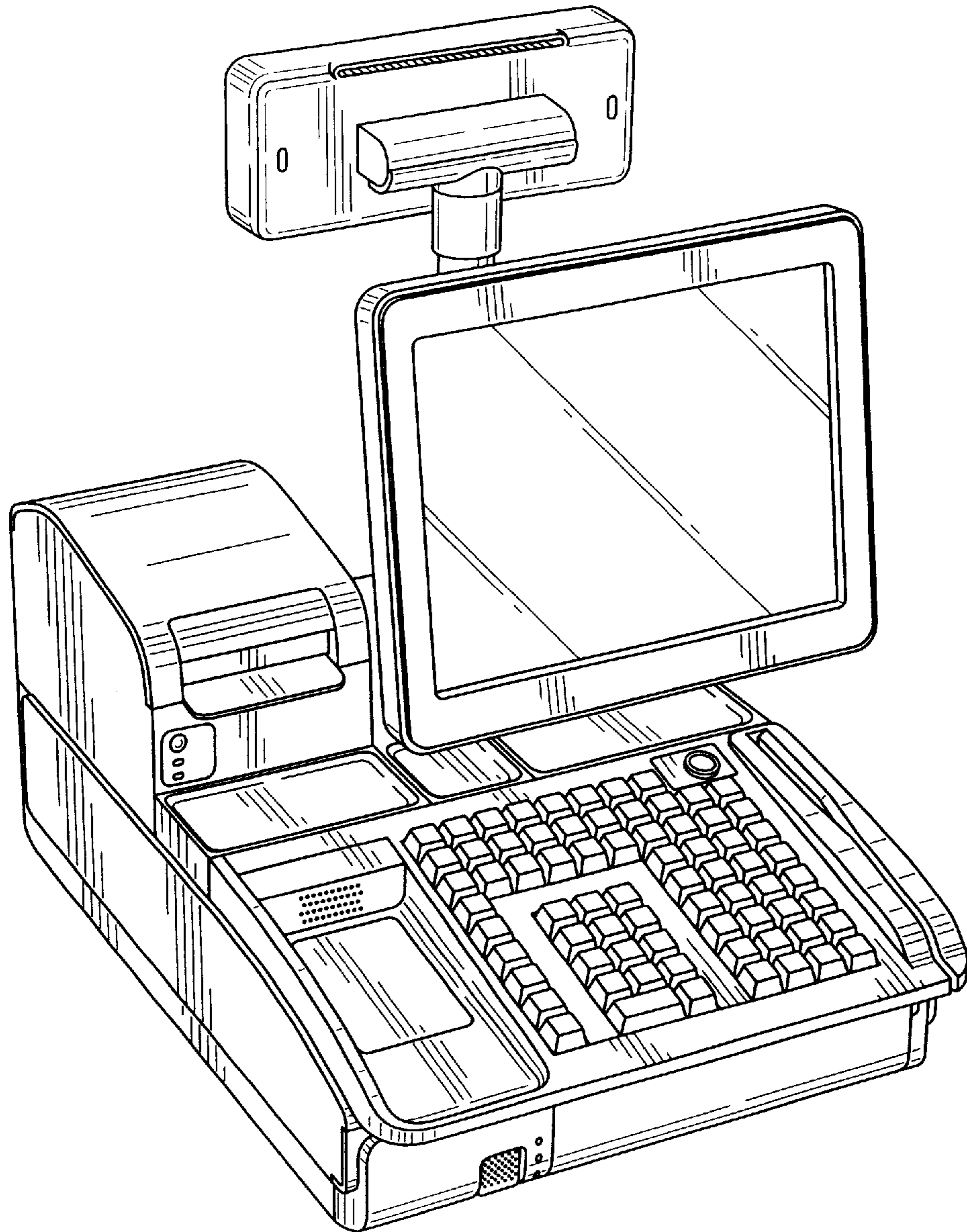
The ornamental design for a cash register, as shown.

**DESCRIPTION**

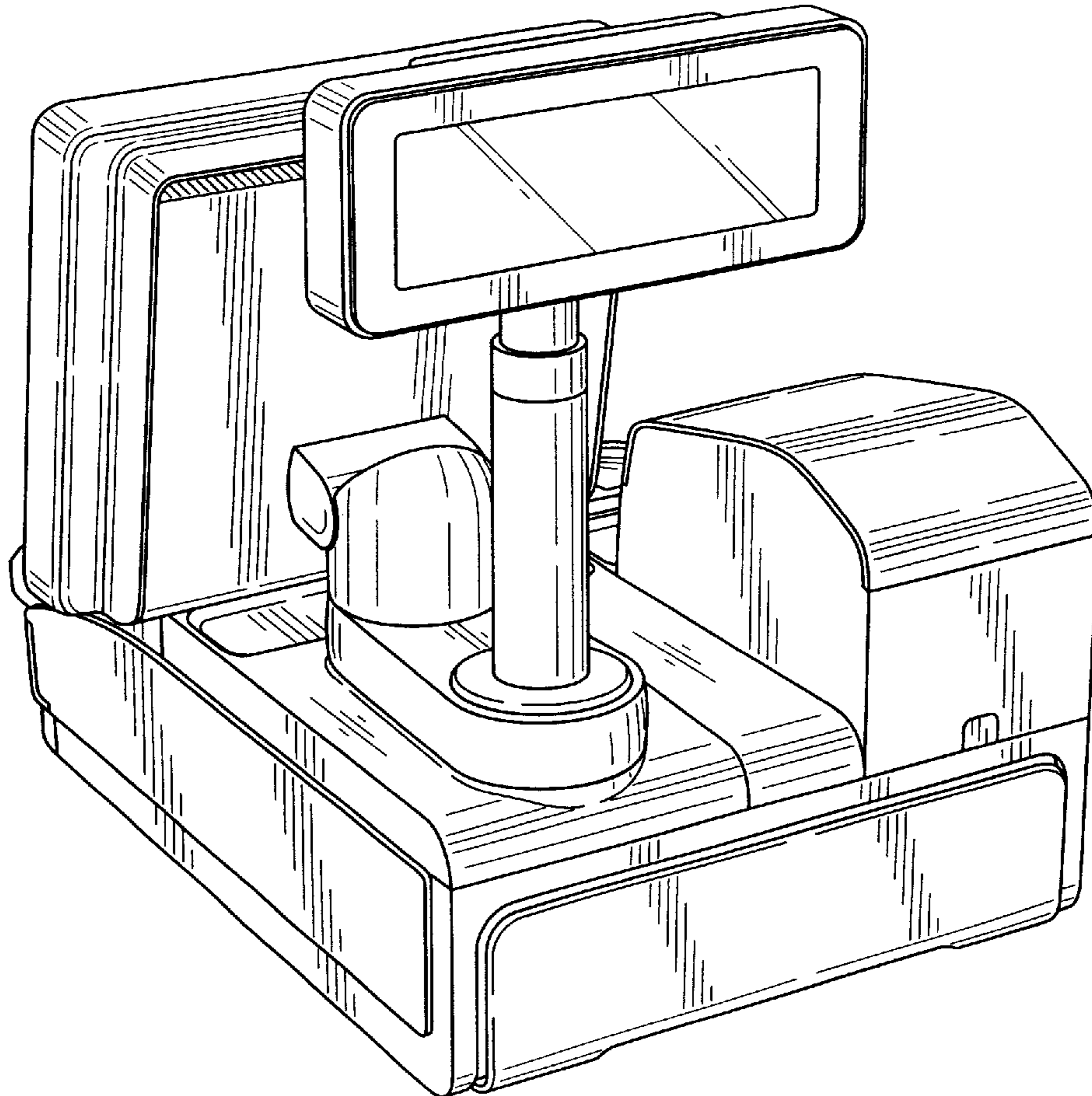
FIG. 1 is a top, front and left side perspective view of a cash register showing our new design;  
FIG. 2 is a top, rear and right side perspective view thereof;  
FIG. 3 is a front view thereof;  
FIG. 4 is a rear view thereof;  
FIG. 5 is a left side view thereof;  
FIG. 6 is a right side view thereof;  
FIG. 7 is a top plan view thereof; and,  
FIG. 8 is a bottom view thereof.

**1 Claim, 8 Drawing Sheets**

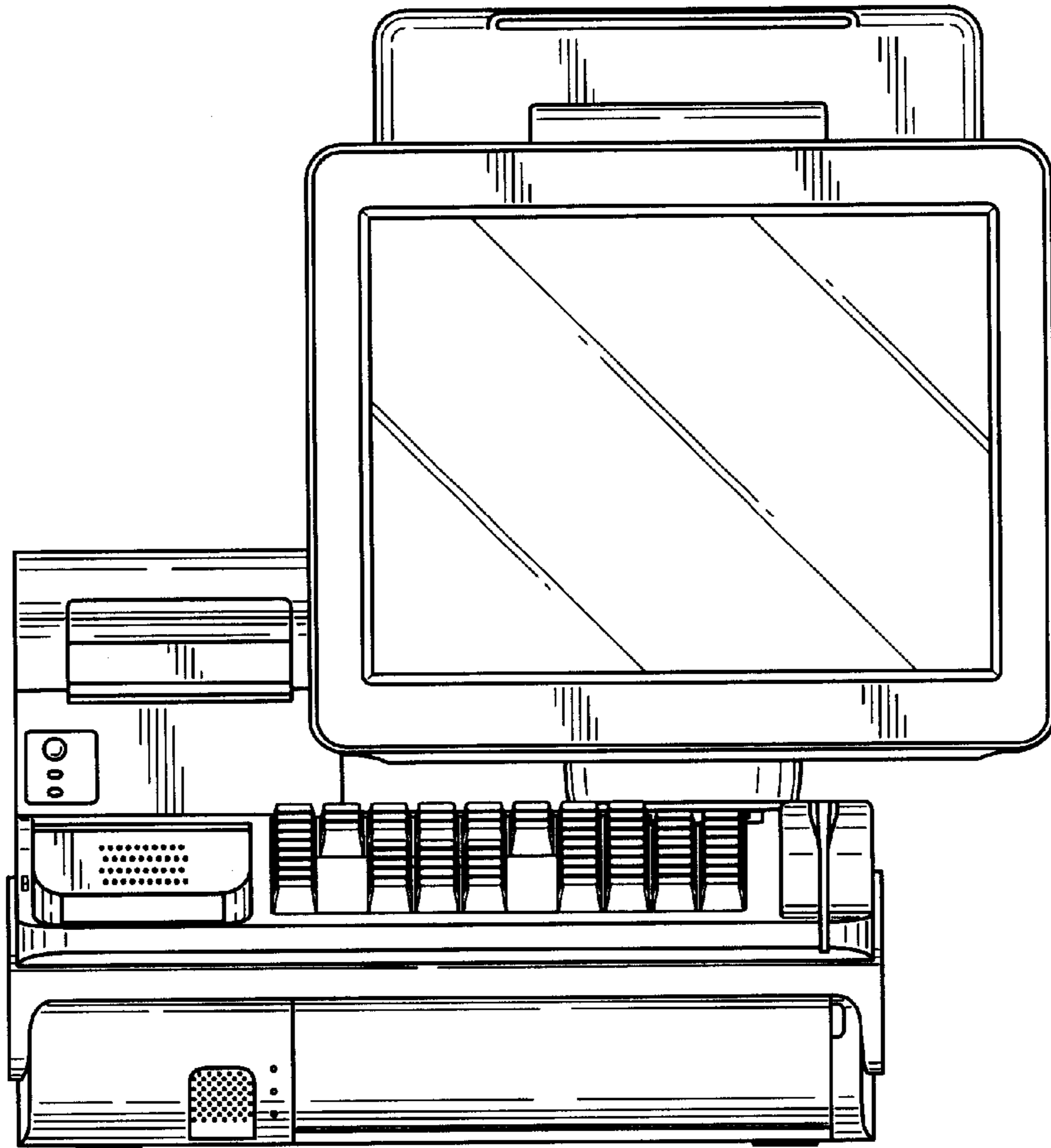




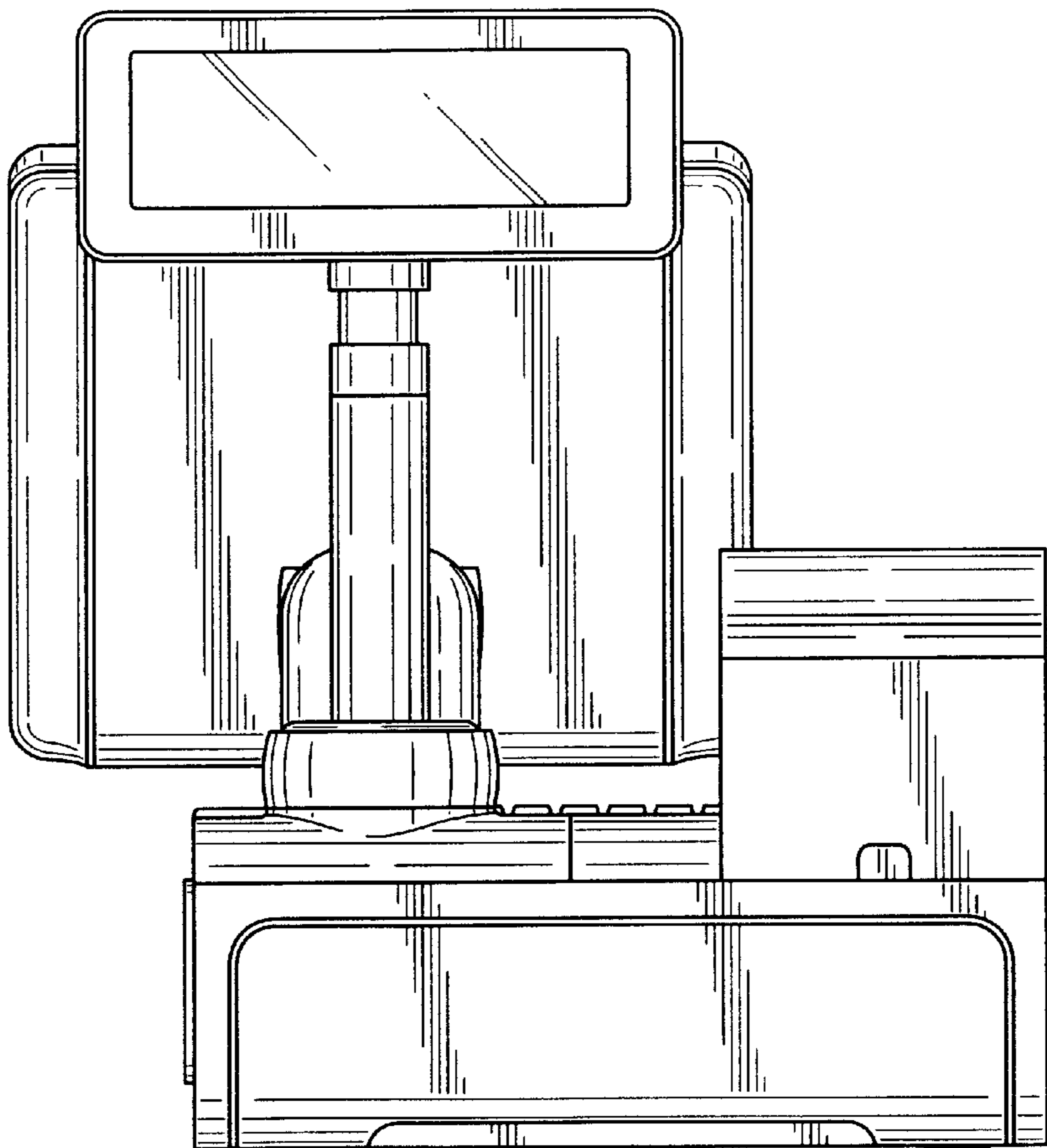
**FIG. 1**



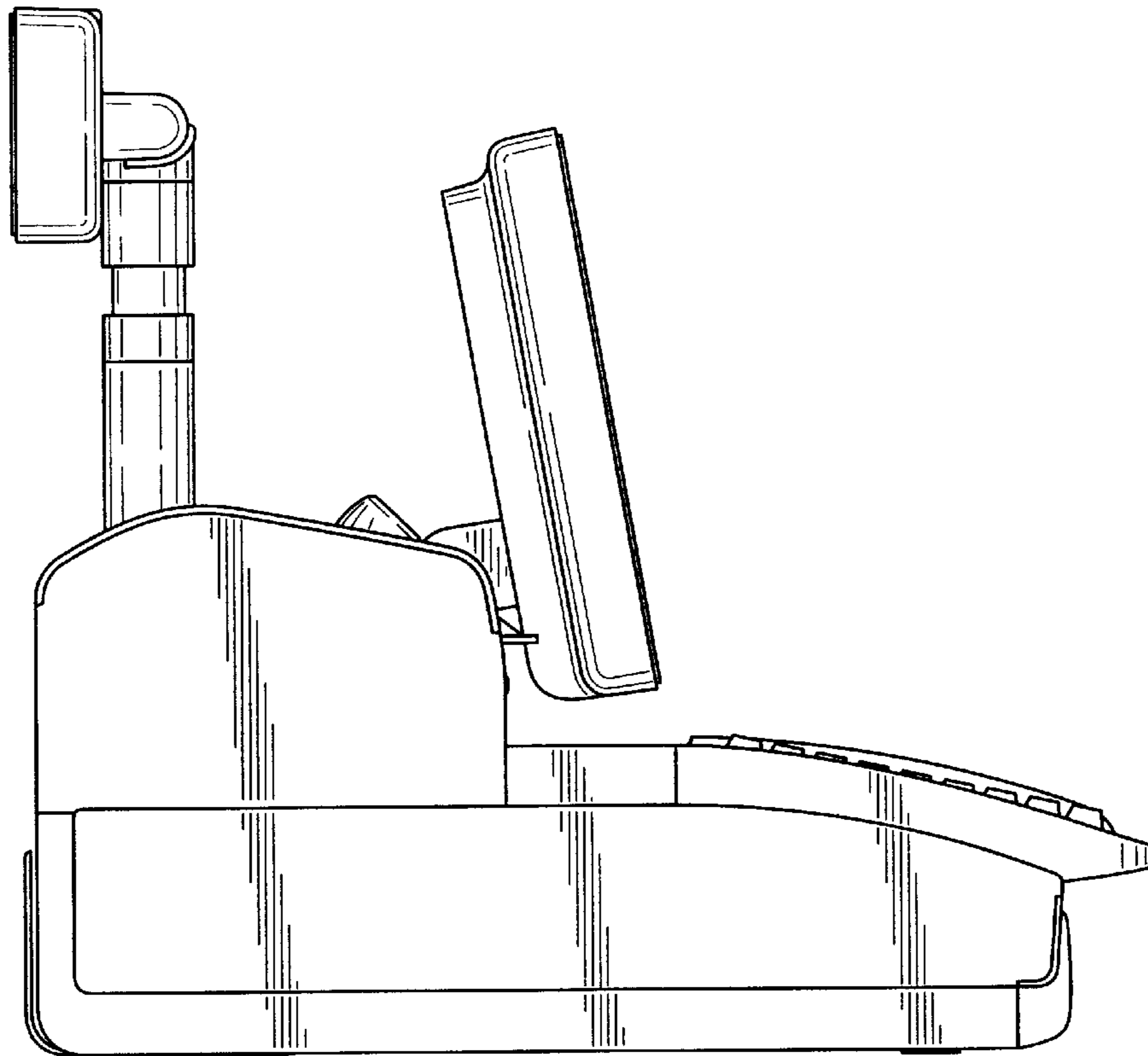
*FIG. 2*



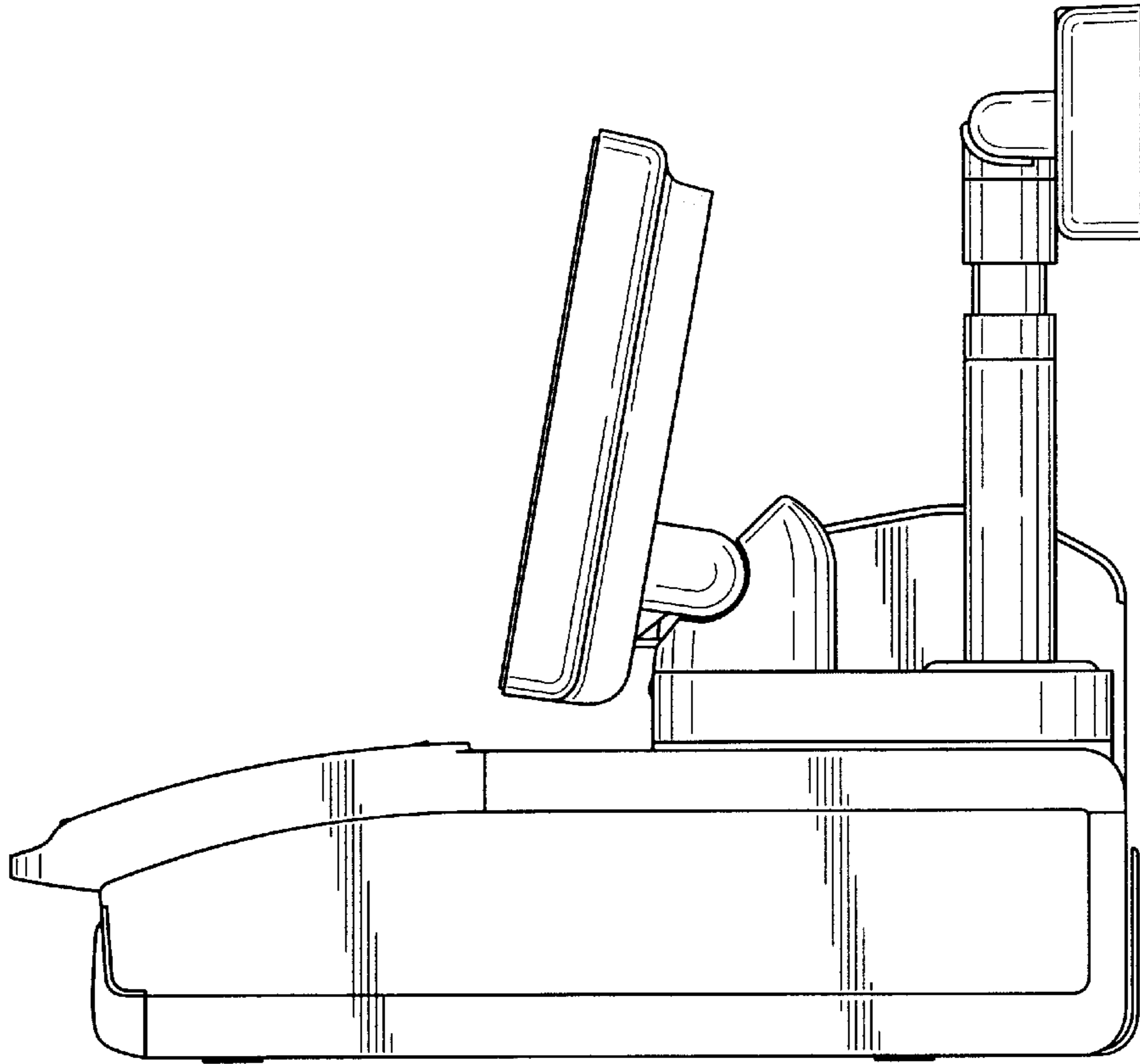
*FIG. 3*



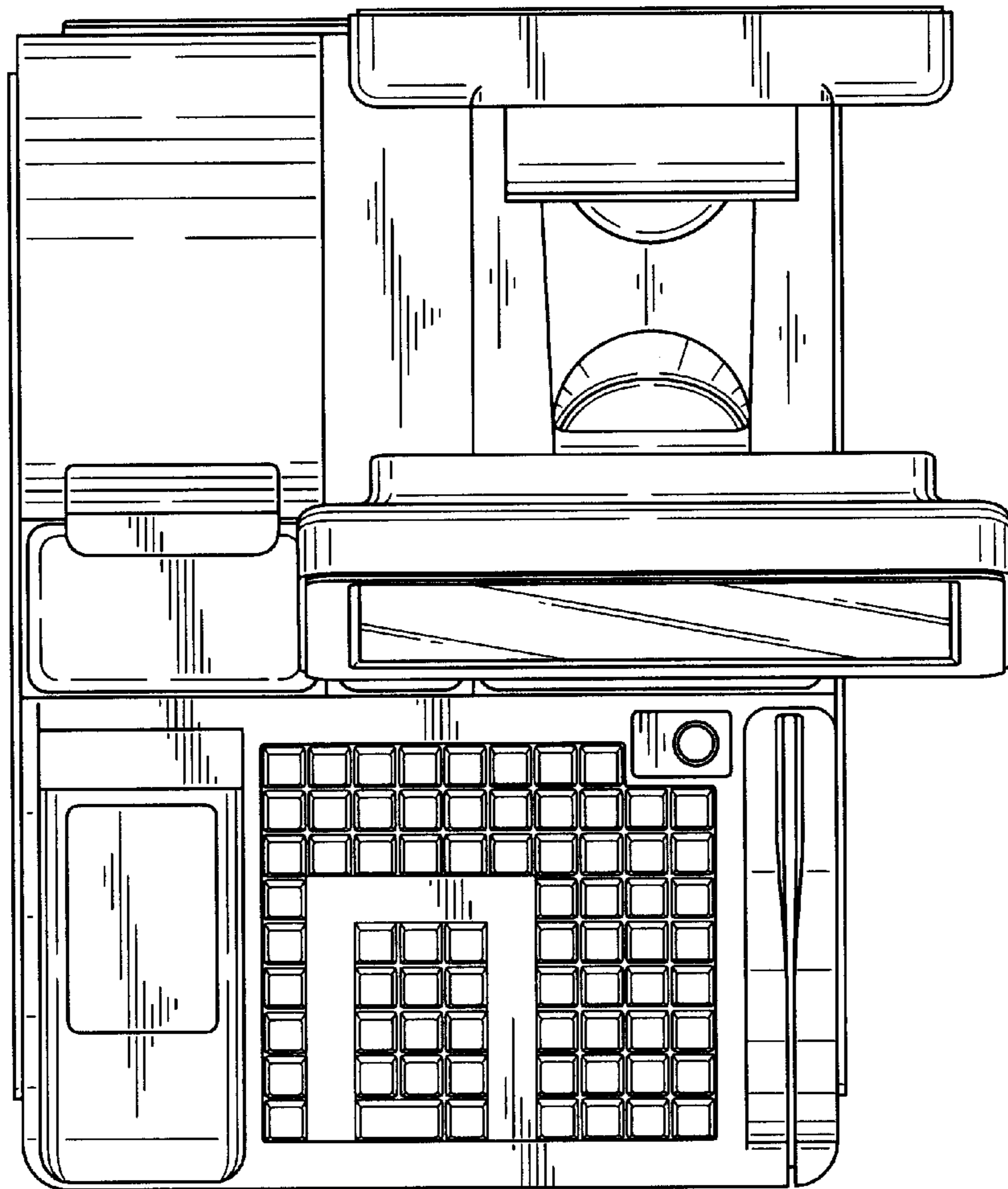
*FIG. 4*



*FIG. 5*

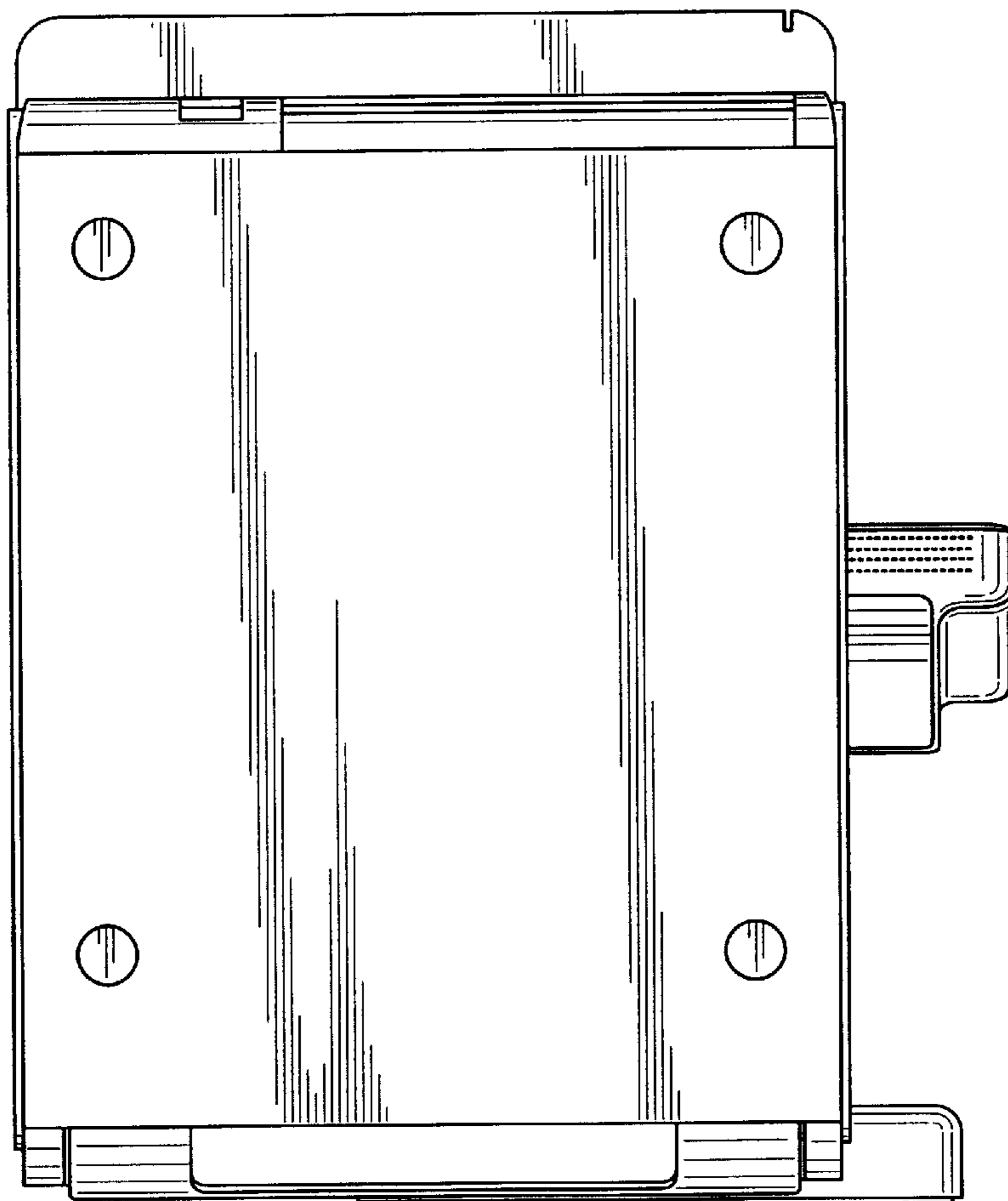


*FIG. 6*



*FIG. 7*





*FIG. 8*